

HONDA

GENERAL PURPOSE ENGINE

**GX390T1
GX390T2
GX390T2X
GX390UT2
GX390UT2X**

PARTS CATALOGUE

8



(PX TYPE)

GX390T1



(QBH TYPE)

FOREWORD INDEX

1

ENGINE GROUP

2

PART NUMBER INDEX

3

PART NAME INDEX

4

Instruction for use of parts catalogue

- **This parts catalogue was prepared based on the latest information available as of March 20, 2022.**
 - See the parts catalogue news for any revision that is made after March 20, 2022.
- **Always specify the part number when ordering a part.**
 - Check the model, type, serial numbers, color, maker, and the size as needed before ordering a part.
 - Note that the illustrations (part drawings) can differ from the actual parts in shape.
They are given just to help you to refer to the parts.
- **When modifications or additions to this parts catalogue are made, a revised edition will be issued at an appropriate time, with successively progressing revision numbers on the cover. We recommend obtaining such revisions in order to keep your parts catalogue up-to-date at all times. To check whether a parts catalogue revision has been issued, please contact your Honda distributor.**

Initial version issue date November 10, 2003
Honda Motor Co., Ltd.

CONTENTS

	Page
• Instruction for use of parts catalogue	1
• How to refer to the part information	2
• Part catalogue structure.....	3
• When the parts were revised.....	4
• Abbreviations used in the parts catalogue.....	4
• How to check the part block and serial numbers.....	5
• Models, parts catalogue codes and applicable serial numbers.....	6
• Features of each type.....	16
• Fuel hose, general purpose hoses and vinyl hose.....	35
• FLAT RATE SERVICE TIME	36
• Illustrated index	41
• ENGINE GROUP	50
• PART NO. INDEX.....	259
• PART NAME INDEX.....	267

1

1

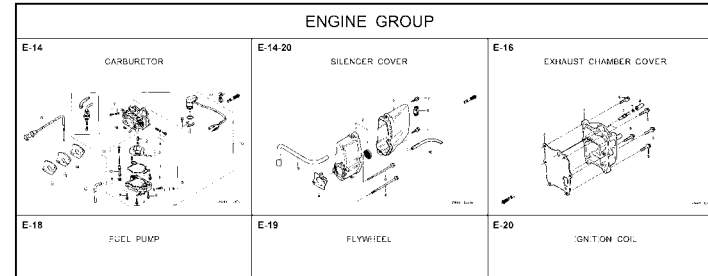
2

3

4

How to refer to the part information

A Reference with "Illustrated index"



B Reference with "Part number index"

PART NO. INDEX				
Part Number	Page Ref.	Part Number	Page Ref.	Pi
06000		15212-ZW9-000	49 7	17583
		15220-ZW9-003	49 8	17583
06316-ZW9-000	104 1	15332-ZW9-000	74 2	17611
		15332-ZW9-A30	76 2	17611
11000		15400-PFB-004	46 5	17612
		15422-ZW9-000	49 9	17620
11300-ZW9-000	46 1	15473-881-000	49 10	17620
11300-ZW9-800	46 1	15474-ZW9-000	49 11	17624
11340-ZW9-000	46 2	15611-921-000	45 6	17650
11342-ZW9-000	46 3	15655-ZW9-000	46 6	17660
11381-ZW9-003	47 1			17661
		16000		
12000		16010-ZV4-005	55 1	17665
12000-ZW9-000ZA	46 4	16011-ZV4-005	55 2	17670
12155-ZV4-A00	48 1	16013-ZW9-003	55 3	17680
12166-ZW9-000	45 1	16016-ZW9-003	55 4	17701
12209-GB4-681	51 1	16016-ZW9-721	55 4	17701
12209-GB4-681	45 2	16023-ZW9-003	55 5	17701
12210-ZW9-000ZA	74 1	16024-ZV4-650	55 6	17701
12216-ZE2-300	76 1	16028-ZV4-650	55 7	17702

C Reference with "Part name index"

PART NAME INDEX		
Part name	Page	Ref.
[A]		
ABSORBER, FUEL	80	5
ARMATURE COMP.	62	7
ARM COMP., LINK JOINT	102	18
ARM COMP., SHIFT LINK	102	14
ARM COMP., TILT	97	20
ARM, FUEL PUMP ROCKER	51	4
ARM, REVERSE LOCK	97	18
ARM, SHIFT LINK	92	7
ARM, STOPPER	52	12
ARM, THROTTLE REMOTE	92	6
ARM, VALVE ROCKER	51	3
[B]		
BAG, TOOL, 160MM	101	10
BAND	103	37
BAND B1, WIRE	87	1
BAND, CORD	85	18
BAND, TUBE CLIP, 11MM	81	20
BAND, TUBE CLIP, 12.5MM	81	19

E-2 CYLINDER HEAD

Block No.

Ref No.

Ref. No.	Part No.	Description	Reqd. QTY						Serial No.	Parts catalogue code
			9901	9901	1001	1001	1001	1001		
1	12166-ZW9-000	STOPPER, ENGINE SIDE	2	2	2	2	2	2		
2	12210-ZW9-000ZA	HEAD COMP., CYLINDER	1	1	1	1	1	1		
3	12251-ZW9-003	GASKET, CYLINDER HEAD	1	1	1	1	1	1		
4	12310-ZW9-000	COVER COMP., HEAD	1	1	1	1	1	1		
5	12312-ZW9-000	PACKING, HEAD COVER	1	1	1	1	1	1		
6	15611-921-000	CAP, OIL (NO GAUGE)	1	1	1	1	1	1		
7	16617-ZW9-000	HOLDER, CABLE	1	1	1	1	1	1	SC,SG	
	16617-ZW9-010		1	1	1	1	1	1	1001800 LHC,LHD	
			1	1	1	1	1	1	1001801 LHC,LHD	
8	35673-ZV5-003	SENSOR ASSY., WATER	1	1	1	1	1	1		
9	90003-ZW9-000	BOLT, FLANGE, 6X22	6	4	4	4	4	4		
10	90007-ZW9-003	BOLT, FLANGE, 8X83	6	6	6	6	6	6		
11	90011-ZW9-000	BOLT, FLANGE, 6X14(CT200)	1	1	1	1	1	1		
12	90020-ZW9-000	BOLT, FLANGE, 6X40	2	2	2	2	2	2		
13	91202-KJ9-003	OIL SEAL, 20X32X6	1	1	1	1	1	1		
14	91301-805-000	O-RING, 26X2.7	1	1	1	1	1	1		
15	91307-PK2-005	O-RING, 9.5X1.5(HONDA KIKAKI)	1	1	1	1	1	1		
16	98059-55916	PLUG, SPARK (CR5EH-9)	2	2	2	2	2	2		
	98059-55926	PLUG, SPARK (U16FER9)	2	2	2	2	2	2		

Page No.

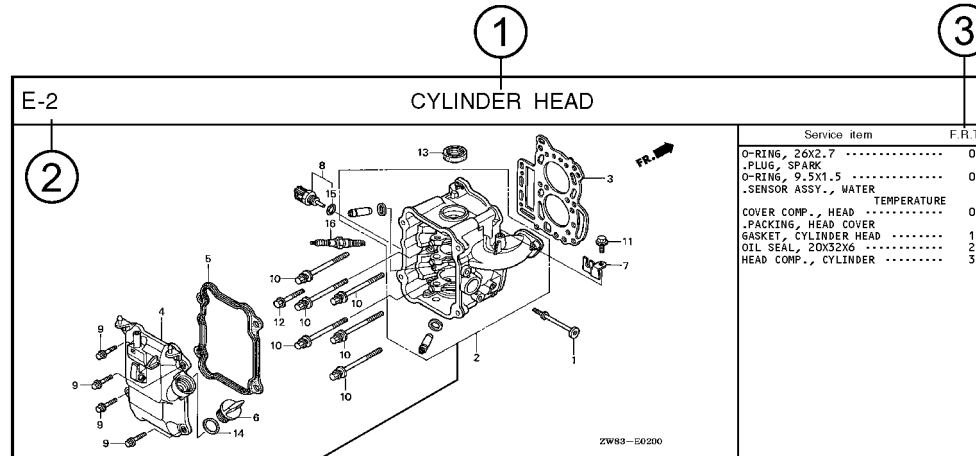
2000.09.20 E

2

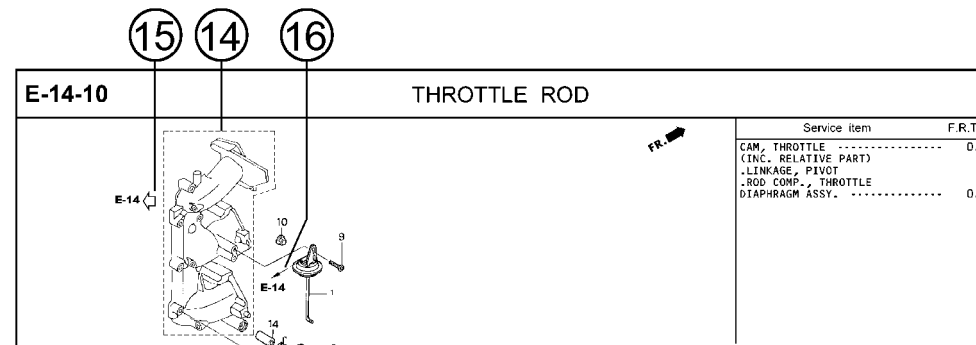
2022.03.20

E

Part catalogue structure



Ref. No.	Part No.	Description	Reqd. QTY						Serial No.	Parts catalogue code
			BF 9.9D1	BFP 9.9D1	BF 10D1	BFP 10D1	BF 10B1	BFP 10B1		
1	12166-zw9-000	STOPPER, ENGINE SIDE	2	2	2	2	2	2		
2	12210-zw9-000ZA	HEAD COMP., CYLINDER *NH8*.....DARK GRAY	1	1	1	1	1	1		
3	12251-zw9-003	GASKET, CYLINDER HEAD	1	1	1	1	1	1		
4	12310-zw9-000	COVER COMP., HEAD	1	1	1	1	1	1		
5	12312-zw9-000	PACKING, HEAD COVER	1	1	1	1	1	1		
6	15611-921-000	CAP, OIL (NO GAUGE)	1	1	1	1	1	1		
7	16617-zw9-000	HOLDER, CABLE	1	1	1	1	1	1	----- SC,SG	
	16617-zw9-010		1	1	1	1	1	1	----- 1001800 LHC,LHD	



① Block title ② Block number

③ Service item/Flat rate time

④ Reference number

- Title number marked with the parenthesis or parentheses indicates that it continues from the previous page.

⑤ Part number ⑥ Honda color code

⑦ Description

⑧ Assemblies

- Sections framed with broken lines in the exploded view drawings are available as complete assemblies. (Their individual parts can also be obtained.)

⑨ Color description

⑩ Note

- Notes are shown with the parentheses in the part name column.

⑪ Required quantity

- Required QTY shown in the parenthesis or parentheses indicates the optional part.
- Required QTY marked with "N" Indicates the optional part that should be selected as needed.
- Required QTY indicates the number of the part used in the block.

⑫ Serial number

⑬ Type

- When the type column is blank, it indicates that the part is applicable to all types.
- As the type of the actual unit may differ from the "parts catalogue, type" please refer to "Models, types and applicable serial numbers" for confirmation.

⑭

- Parts enclosed within a dotted line are covered in a different block.

⑮

- A hollow arrow indicates the block No. for the parts enclosed within a dotted line.

⑯

- A solid arrow indicates the block No. the part in question is connected to.

When the parts were revised



Be sure to check the serial number!!



Ref. No.	Part No.	Description	Reqd. QTY						Serial No.
			BF 99D1	BFP 9.9D1	BF 10D1	BFP 10D1	BF 10B1	BFP 10B1	
1	12166-ZW9-000	STOPPER, ENGINE SIDE	2	2	2	2	2	2	
2	12210-ZW9-000ZA	HEAD COMP., CYLINDER *NH8*.....DARK GRAY	1	1	1	1	1	1	
3	12251-ZW9-003	GASKET, CYLINDER HEAD	1	1	1	1	1	1	
4	12310-ZW9-000	COVER COMP., HEAD	1	1	1	1	1	1	
5	12312-ZW9-000	PACKING, HEAD COVER	1	1	1	1	1	1	
6	15611-921-000	CAP, OIL (NO GAUGE)	1	1	1	1	1	1	
7	16617-ZW9-000	HOLDER, CABLE (###).....	1	1	1	1	1	1	SC, SG LHC, LHD LHC, LHD
	16617-ZW9-010	1	1	1	1	1	1	

The number has been used from the initial model without revision. When shown at the left side, it is applicable to the models of No.1001801 and the subsequent numbers. When shown at the right side, it is applicable to the models up to No.1001800.

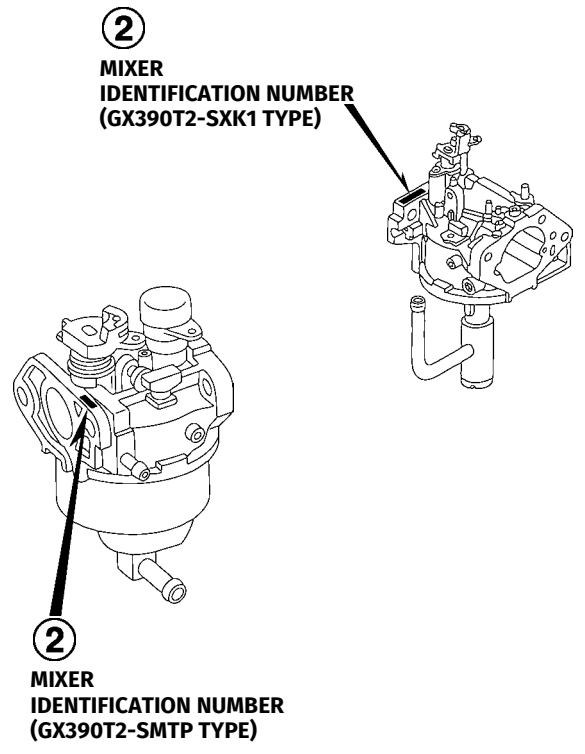
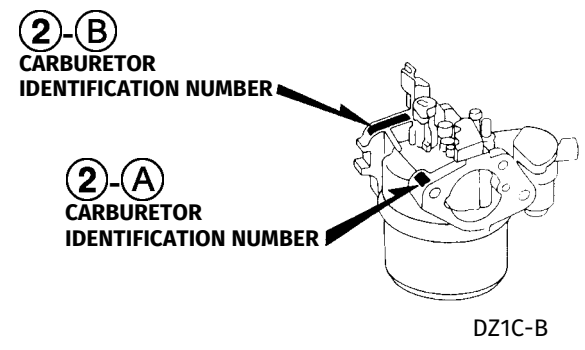
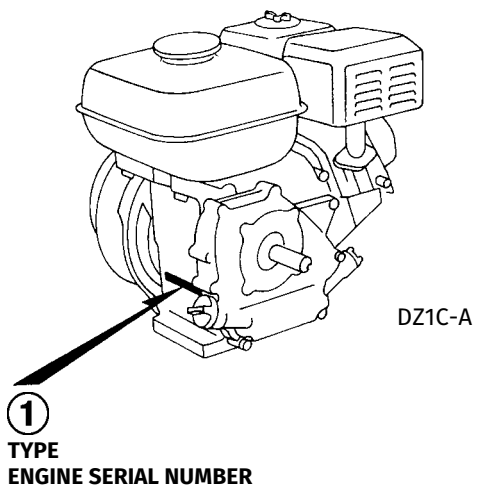
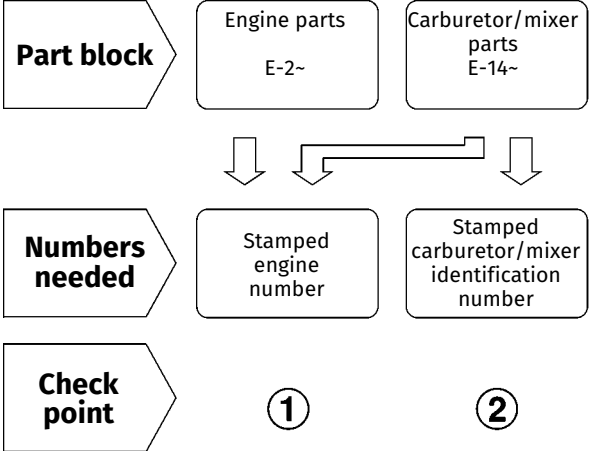
• The parts listed with "###" at the end of the parts name have limited supply period (parts not for sale).

Abbreviations used in the parts catalogue

• The following abbreviations are used in the parts name column.

- A Ampere
- A.C. Alternating current
- ASSY. Assembly
- AT. Automatic transmission
- C.D.I. Capacitive discharge ignition
- COMP. Complete
- D.C. Direct current
- EX. Exhaust
- G.F.C.I. Ground fault circuit interruptor
- HEX. Hexagonal
- H.S.T. Hydrostatic transmission
- FR. Front
- IN. Inlet
- L (100L) ... Link (100 Links)
- L. Left
- MM Millimeter
- MT. Manual Transmission
- P.T.O. Power take off
- R. Right
- RR. Rear
- STD. Standard
- T (22T) Tooth (22 Teeth)
- V Volt
- W Watt

How to check the part block and serial numbers



Models, parts catalogue codes and applicable serial numbers

• Models, parts catalogue codes and applicable serial Nos. given in this parts catalogue can be identified as follows.

Model	Type	Parts catalogue type	Applicable engine serial No.	Applicable carburetor identification No.
GX390T1	ES2	ES2	GCAET-1000001-9999999	BE87K A
	ES3	ES3		
	LBH	LBH	GCBBT-1000001-9999999	BE85W A
	LBHB	LBHB		
	LBHS	LBHS		
	LH	LH	GCAET-1000001-9999999	BE85K A
	LH2	LH2		
	LHB5	LHB5		
	LHP1	LHP1		
	LP	LP		
	LT	LT		
	LXE8	LXE8		
	LXE9	LXE9		

Model	Type	Parts catalogue type	Applicable engine serial No.	Applicable carburetor identification No.
GX390T1	LXU	LXU	GCAET-1000001-9999999	BE85K A
	PX	PX		
	PXE8	PXE8		
	PXU	PXU		
	QA2	QA2		
	QA26	QA26		
	QAA2	QAA2	GCAET-1000001-9999999	BE85Q A
	QAA6	QAA6		
	QAPW	QAPW		
	QBE1	QBE1	GCBBT-1000001-9999999	BE85Z A
	QBH	QBH		BE85N A
	QBHS	QBHS	GCAET-1000001-9999999	BE85W A
	QBLS	QBLS		BE85Y A

1

Model	Type	Parts catalogue type	Applicable engine serial No.	Applicable carburetor identification No.
GX390T1	QBS	QBS	GCAET-1000001-9999999	BE85Y A
	QH	QH		BE85K A
	QHB1	QHB1		BE85N A
	QHB3	QHB3		BE85K A
	QHB5	QHB5		
	QHP1	QHP1		
	QMH	QMH		BE85N A
	QN	QN		
	QP	QP		
	QT	QT		
	QTD	QTD		
	QTN	QTN		
	QX	QX		

Model	Type	Parts catalogue type	Applicable engine serial No.	Applicable carburetor identification No.
GX390T1	QXE	QXE	GCAET-1000001-9999999	BE85K A
	QXE8	QXE8		
	QXEK	QXEK		
	QXK	QXK		BE85Q A
	QXQ4	QXQ4		
	QXU	QXU		BE85K A
	SH	SH		
	SHE	SHE		BE86N A
	SN	SN		
	SWE	SWE		BE85N A
	SWE2	SWE2		
	SWX	SWX		
	SWX2	SWX2		



Model	Type	Parts catalogue type	Applicable engine serial No.	Applicable carburetor identification No.
GX390T1	SX	SX	GCAET-1000001-9999999	BE85K A
	SXC	SXC		
	SXE	SXE		
	SXE8	SXE8		BE85Q A
	SXQ4	SXQ4		
	VMQ3	VMQ3		BE87L A
	VMT2	VMT2		
	VMT3	VMT3		
	VS4	VS4		BE87K A
	VS6	VS6		
	VSB4	VSB4		BE87L A
	VSB5	VSB5		
	VSP	VSP		BE85L A

Model	Type	Parts catalogue type	Applicable engine serial No.	Applicable carburetor identification No.
GX390T1	VTE5	VTE5	GCAET-1000001-9999999	BE85N A
	VX	VX		BE85M A
	VX8	VX8		
	VXE	VXE		
	VXE8	VXE8		
	VXK	VXK		
	VXK2	VXK2		
	VXU1	VXU1		

Model	Type	Parts catalogue type	Applicable engine serial No.	Applicable carburetor identification No.
GX390T2	EDS1	EDS1	GCBDT-1000001~9999999	BE89W A
	EDS5	EDS5	GCBDT-1000001~	BE84B C
	EDT1	EDT1	GCBDT-1000001~9999999	BE89W A
	EDT5	EDT5	GCBDT-1000001~	BE84B C
	ES2	ES2	GCBDT-1000001~9999999	BE89W A
	ES5	ES5	GCBDT-1000001~	BE89W A/B
	EWS1	EWS1		
	EWS3	EWS3		
	EWS4	EWS4		
	EWS5	EWS5		
	EZD5	EZD5		BE79A C
	EZDS	EZDS	GCBDT-1000001~9999999	BE79A B
	EZS4	EZS4		

Model	Type	Parts catalogue type	Applicable engine serial No.	Applicable carburetor identification No.
GX390T2	EZS5	EZS5	GCBDT-1000001~9999999	BE79A B
	LBD	LBD	GCBDT-2000001~	BEC0G A
	LBH	LBH	GCBDT-1000001~	BE88M A BEA6E A
	LBHB	LBHB		BE88M A
	LBHS	LBHS		BE88M A BEA6E A
	LBP	LBP	GCBDT-2000001~	BEC0H A
	LEAJ	LEAJ	GCBDT-1000001~	BE88A A
	LH	LH		BE88B A
	LH2	LH2	GCBDT-1000001~9999999	
	LHB5	LHB5	GCBDT-1000001~	
	LHP1	LHP1		
	LTK1	LTK1	GCBDT-1000001~9999999	BE88K A
	LWD	LWD		BE94E A



Model	Type	Parts catalogue type	Applicable engine serial No.	Applicable carburetor identification No.
GX390T2	LWD1	LWD1	GCBDT-1000001~	BE48G A
	LWP1	LWP1		BE88A A
	LXE5	LXE5		BE88B A
	LXE9	LXE9		BE88A A
	LXQ5	LXQ5		
	PKT5	PKT5	GCBDT-2000001~	BE88A A
	PX	PX	GCBDT-1000001~	
	PXE5	PXE5		
	PXU5	PXU5		
	QA25	QA25		
	QAA5	QAA5		
	QAPW	QAPW		
		QAPW/A	GCBDT-2000001~2239410	BEC0A A

Model	Type	Parts catalogue type	Applicable engine serial No.	Applicable carburetor identification No.
GX390T2	QBD	QBD	GCBDT-2000001~	BEC0G A
	QBE1	QBE1	GCBDT-1000001~1999999	BE88G A BE88K A
		QBE1/A	GCBDT-2000001~	BEC0C A
	QBH	QBH	GCBDT-1000001~	BE88M A BEA6E A
	QBHS	QBHS		
	QBHZ	QBHZ		BEA6E A
	QBL	QBL	GCBDT-2000001~	BEC0H A
	QBLS	QBLS	GCBDT-1000001~9999999	BE88N A
	QBP	QBP	GCBDT-2000001~	BEC0H A
	QBS	QBS	GCBDT-1000001~9999999	BE88N A
	QBS1	QBS1		
	QBT	QBT	GCBDT-2000001~	BEC0G A
	QC1	QC1	GCBDT-1000001~	BE94J A

Model	Type	Parts catalogue type	Applicable engine serial No.	Applicable carburetor identification No.
GX390T2	QC2	QC2	GCBDT-1000001~	BE94J A
	QC55	QC55		
	QC95	QC95		
	QCT	QCT	GCBDT-1000001~9999999	BE94F A
	QCWE	QCWE	GCBDT-1000001~	BE94J A
	QH	QH	GCBDT-1000001~9999999	BE88B A
	QHB1	QHB1	GCBDT-1000001~1999999	BE88G A BE88K A
		QHB1/A	GCBDT-2000001~	BECOC A
	QHB2	QHB2	GCBDT-1000001~1999999	BE94H A
		QHB2/A	GCBDT-2000001~	BE94H B
	QHB3	QHB3	GCBDT-1000001~9999999	BE88B A
	QHB5	QHB5		
	QHP1	QHP1		

Model	Type	Parts catalogue type	Applicable engine serial No.	Applicable carburetor identification No.	
GX390T2	QHT	QHT	GCBDT-1000001~9999999	BE88B A	
	QHT1	QHT1	GCBDT-1000001~		
	QHTN	QHTN			
	QK45	QK45		BE88A A	
	QKA5	QKA5			
	QMH	QMH	BE88B A		
	QN	QN	GDAFT-1000001~9999999	BE88G A	
	QNG	QNG		GCBDT-1000001~	/
	QNR5	QNR5			
	QP	QP	BE88A A		
	QPW	QPW	GCBDT-1000001~	BE88G A BE88K A	
	QTD	QTD		BEA6F A	
	QTE	QTE		GCBDT-1000001~9999999	BE88G A BE88K A
			GCBDT-1000001~	BE88B A	



Model	Type	Parts catalogue type	Applicable engine serial No.	Applicable carburetor identification No.	
GX390T2	QTG	QTG	GDAFT-1000001~		
	QTN	QTN	GCBDT-1000001~9999999	BE88K A	
	QX	QX	GCBDT-1000001~	BE88B A	
	QX5	QX5		BE88A A	
	QXA5	QXA5			
	QXB5	QXB5			
	QXE	QXE		BE88B A	
	QXE5	QXE5		BE88A A	
	QXEK	QXEK		BE88B A	
	QXG	QXG		GDAFT-1000001~	
	QXK	QXK		GCBDT-1000001~	BE88B A
	QXQ5	QXQ5			BE88A A
	QXU5	QXU5			

Model	Type	Parts catalogue type	Applicable engine serial No.	Applicable carburetor identification No.
GX390T2	QZSD	QZSD	GCBDT-1000001~	BE92G A
	QZSL	QZSL		BE79C A
	SC15	SC15		BE94J A
	SC5	SC5		
	SCM5	SCM5		
	SEM	SEM	GCBDT-2000001~	BEC0D A
	SH	SH	GCBDT-1000001~	BE88B A
	SHMV	SHMV	GCBDT-2000001~	BE88A A
	SJG	SJG	GCBDT-1000001~	
	SM11	SM11	GCBDT-1000001~9999999	
	SME5	SME5	GCBDT-1000001~	
	SMEJ	SMEJ		
	SMM	SMM	GCBDT-2000001~	BEC0D A

Model	Type	Parts catalogue type	Applicable engine serial No.	Applicable carburetor identification No.
GX390T2	SMTP	SMTP	GCBDT-1000001~9999999	BEL5H A (Mixer)
	STCH	STCH	GCBDT-2000001~	BE94J A
	SWA5	SWA5	GCBDT-1000001~	BE88A A
	SWD4	SWD4	GCBDT-2000001~	BEC0A A
	SWDH	SWDH		BE48E A
	SWDL	SWDL	GCBDT-1000001~	
	SWE2	SWE2	GCBDT-1000001~9999999	BE88G A BE88K A
	SWSC	SWSC	GCBDT-2000001~	BE88K A
	SWX	SWX	GCBDT-1000001~9999999	BE88G A BE88K A
	SWX2	SWX2	GCBDT-1000001~	
	SX	SX	GCBDT-1000001~9999999	BE88B A BE88A A
	SX5	SX5	GCBDT-1000001~	BE88A A
SXC	SXC	GCBDT-1000001~9999999	BE88B A	

Model	Type	Parts catalogue type	Applicable engine serial No.	Applicable carburetor identification No.
GX390T2	SXE5	SXE5	GCBDT-1000001~	BE88A A
	SXK	SXK		BE88L A
	SXK1	SXK1		BEL5G A (Mixer)
	SXQ5	SXQ5		BE88A A
	SZSK	SZSK	GCBDT-2000001~	BE92G A
	VEP5	VEP5	GCBDT-1000001~	BE84B C
	VMQ3	VMQ3		BE89Y A/B
	VMT	VMT	GCBDT-1000001~9999999	BE89Y A
	VMT2	VMT2		
	VMT3	VMT3	GCBDT-1000001~	BE89Y A/B
	VPX5	VPX5		BE84D D
	VPXP	VPXP	GCBDT-1000001~1999999	BE95A A
		VPXP/A	GCBDT-2000001~	BE95L A



Model	Type	Parts catalogue type	Applicable engine serial No.	Applicable carburetor identification No.
GX390T2	VS15	VS15	GCBDT-1000001~	BE84C C
	VS3	VS3		BE89W A/B
	VS4	VS4		
	VS5	VS5		
	VS6	VS6		
	VSΒ3	VSΒ3	GCBDT-1000001~9999999	
	VSΒ4	VSΒ4	GCBDT-1000001~	BE89Y A/B
	VSD5	VSD5		BE88F A
	VSEP	VSEP	GCBDT-2000001~	BE95A A
	VSP	VSP	GCBDT-1000001~1999999	BE88F A
		VSP/A	GCBDT-2000001~	BEC0A A
	VTE5	VTE5	GCBDT-1000001~9999999	BE88G A
	VWC5	VWC5	GCBDT-1000001~	BE84B C
	VWE5	VWE5		

Model	Type	Parts catalogue type	Applicable engine serial No.	Applicable carburetor identification No.
GX390T2	VWT5	VWT5	GCBDT-1000001~	BE88V A
	VX	VX		BE88C A
	VXB5	VXB5		BE88F A
	VXE	VXE		BE88C A
	VXEΗ	VXEΗ		BE95A A
	VXG	VXG	GDAFT-1000001~	/
	VXH	VXH	GCBDT-1000001~	BE95A A
	VXK	VXK		BE88C A
	VXU1	VXU1	GCBDT-1000001~9999999	BE92B A BE92G A
	VZKK	VZKK		BE79A B
	VZS5	VZS5		
	VZS6	VZS6	GCBDT-1000001~	BE92B A BE92G A
	VZX	VZX	GCBDT-1000001~9999999	

Model	Type	Parts catalogue type	Applicable engine serial No.	Applicable carburetor identification No.
GX390T2X	QAPW	QAPW	GCBDT-2239411~	BEC0A A
GX390UT2	LFU	LFU	GCBCT-3000001~3485996	BEC1C A
	QMAH	QMAH	GCBCT-1000001~2999999	BE88A A
		QMAH/A	GCBCT-3000001~3485996	BEC0A A
	SCC	SCC	GCBCT-1000001~3485996	BE94J A
GX390UT2X	LFU	LFU	GCBCT-3485997~	BEC1C A
	QMAH	QMAH		BEC0A A
	SCC	SCC		BEC0D A

* Of carburetor/mixer identification numbers, only the portions underlined in the example below are used for registration.

Carburetor BE 87K A KC ナ
 (A) (B)
 Mixer BEL5H A KC ナ



Features of each type

• See the following table for the features of each type. (Items in brackets are optional)

Specifications		Model	GX390T1											
		Type	ES2	ES3	LBH	LBHB	LBHS	LH	LH2	LHB5	LHP1	LP	LT	LXE8
Crankshaft	30mm Ø Spline				●	●	●	●	●	●	●	●	●	●
	25.4mm Ø Spline													
	25.4mm Ø Straight													
	25mm Ø Straight													
	3/16 Tapered													
	1/5 Tapered	●	●											
Muffler			●	●	●	●	●	●	●	●		●	●	●
Muffler cover														
Spark arrester														(●)
Fuel tank				●	●	●	●	●	●	●	●	●	●	●
Oil alert			●	●									●	●
Starter motor													●	●
Control box													●	●
Reduction				●	●	●	●	●	●	●	●	●	●	●
Fuel pump														

1

Specifications		Model	GX390T1											
		Type	LXU	PX	PXE8	PXU	QA2	QA26	QAA2	QAA6	QAPW	QBE1	QBH	QBHS
Crankshaft	30mm Ø Spline	●												
	25.4mm Ø Spline		●	●	●									
	25.4mm Ø Straight					●	●	●	●	●	●	●	●	●
	25mm Ø Straight													
	3/16 Tapered													
	1/5 Tapered													
Muffler		●	●	●	●	●	●	●	●	●	●	●	●	●
Muffler cover														
Spark arrester		(●)				●	●			(●)	(●)			
Fuel tank		●	●	●	●	●	●	●	●	●	●	●	●	●
Oil alert		●	●	●	●	●	●	●	●	●				●
Starter motor				●							●			
Control box				●							●			
Reduction		●												
Fuel pump														



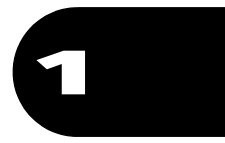
Specifications		Model	GX390T1												
		Type	QBS	QH	QHB1	QHB3	QHB5	QHP1	QMH	QN	QP	QT	QTD	QTN	QX
Crankshaft	30mm Ø Spline														
	25.4mm Ø Spline														
	25.4mm Ø Straight	●	●	●	●	●	●	●	●	●	●	●	●	●	●
	25mm Ø Straight														
	3/16 Tapered														
	1/5 Tapered														
Muffler		●	●	●	●	●	●	●	●	●	●			●	●
Muffler cover				(●)											
Spark arrester				(●)											
Fuel tank		●	●	●	●	●	●	●	●	●	●	●	●	●	●
Oil alert		●													●
Starter motor															
Control box															
Reduction															
Fuel pump															

Specifications		Model	GX390T1												
		Type	QXE	QXE8	QXEK	QXK	QXQ4	QXU	SH	SHE	SN	SWE	SWE2	SWX	SWX2
Crankshaft	30mm Ø Spline														
	25.4mm Ø Spline														
	25.4mm Ø Straight	●	●	●	●	●	●								
	25mm Ø Straight							●	●	●	●	●	●	●	●
	3/16 Tapered														
	1/5 Tapered														
Muffler		●	●	●	●	●	●	●	●	●	●	●	●	●	●
Muffler cover						(●)									
Spark arrester															
Fuel tank		●	●	●	●	●	●	●	●	●	●	●	●	●	●
Oil alert		●	●	●	●	●	●						●	●	
Starter motor		●	●	●					●		●	●			
Control box		●	●	●					●		●	●			
Reduction															
Fuel pump															



Specifications		Model	GX390T1																				
		Type	SX	SXC	SXE	SXE8	SXQ4	VMQ3	VMT2	VMT3	VS4	VS6	VS4	VS6	VS4	VS6	VS4	VS6	VS4	VS6			
Crankshaft	30mm Ø Spline																						
	25.4mm Ø Spline																						
	25.4mm Ø Straight																						
	25mm Ø Straight	●	●	●	●	●																	
	3/16 Tapered							●				●	●	●	●	●	●	●	●	●	●	●	
	1/5 Tapered								●	●													
Muffler		●	●	●	●	●	●	●	●	●	●	●	●	●	●	●	●	●	●	●	●	●	
Muffler cover						(●)																	
Spark arrester																							
Fuel tank		●	●	●	●	●																●	
Oil alert		●	●	●	●	●	●	●	●	●	●	●	●	●	●	●	●	●	●	●	●	●	●
Starter motor				●	●				●	●		●									●		
Control box				●	●				●	●													
Reduction																							
Fuel pump																							

Specifications		Model	GX390T1							
		Type	VTE5	VX	VX8	VXE	VXE8	VXK	VXK2	VXU1
Crankshaft	30mm Ø Spline									
	25.4mm Ø Spline									
	25.4mm Ø Straight									
	25mm Ø Straight									
	3/16 Tapered	●	●	●	●	●	●	●	●	●
	1/5 Tapered									
Muffler		●	●	●	●	●	●	●	●	●
Muffler cover										
Spark arrester										
Fuel tank			●	●	●	●	●	●	●	●
Oil alert		●	●	●	●	●	●	●	●	●
Starter motor		●			●	●	●			●
Control box		●			●	●	●			●
Reduction										
Fuel pump										



Specifications		Model	GX390T2												
		Type	EDS1	EDS5	EDT1	EDT5	ES2	ES5	EWS1	EWS3	EWS4	EWS5	EZD5	EZDS	EZS4
Crankshaft	30mm Ø Spline														
	25.4mm Ø Spline														
	25.4mm Ø Straight														
	25mm Ø Straight														
	3/16 Tapered														
	1/5 Tapered	●	●	●	●	●	●	●	●	●	●	●	●	●	●
Muffler		●	●	●	●	●	●	●	●	●	●	●	●	●	●
Muffler cover															
Spark arrester		●	●	●	●							●	●		
Fuel tank															
Oil alert															
Starter motor		●	●				●			●	●	●	●	●	●
Control box															
Reduction															
Fuel pump															

Specifications		Model	GX390T2											
		Type	EZS5	LBD	LBH	LBHB	LBHS	LBP	LEAJ	LH	LH2	LHB5	LHP1	LTK1
Crankshaft	30mm Ø Spline		●	●	●	●	●	●	●	●	●	●	●	●
	25.4mm Ø Spline													
	25.4mm Ø Straight													
	25mm Ø Straight													
	3/16 Tapered													
	1/5 Tapered	●												
Muffler		●		●		●		●	●	●	●	●	●	●
Muffler cover														
Spark arrester								●						
Fuel tank			●	●	●	●	●	●	●	●	●	●	●	●
Oil alert														
Starter motor		●						●					●	●
Control box														●
Reduction			●	●	●	●	●	●	●	●	●	●	●	●
Fuel pump														



Specifications		Model	GX390T2												
		Type	LWD1	LWP1	LXE5	LXE9	LXQ5	PKT5	PX	PXE5	PXU5	QA25	QAA5	QAPW	QBD
Crankshaft	30mm Ø Spline		●	●	●	●	●								
	25.4mm Ø Spline							●	●	●	●				
	25.4mm Ø Straight											●	●	●	●
	25mm Ø Straight														
	3/16 Tapered														
	1/5 Tapered														
Muffler			●	●	●	●	●	●	●	●	●	●	●	●	
Muffler cover					●		●								
Spark arrester					●	(●)	(●)	(●)		(●)	(●)	●	(●)	(●)	
Fuel tank			●	●	●	●	●	●	●	●	●	●	●	●	●
Oil alert															
Starter motor			●	●	●	●				●					
Control box					●	●				●					
Reduction			●	●	●	●	●								
Fuel pump															

Specifications		Model	GX390T2												
		Type	QBE1	QBH	QBHS	QBHZ	QBL	QBLS	QBP	QBS	QBS1	QBT	QC1	QC2	QC55
Crankshaft	30mm Ø Spline														
	25.4mm Ø Spline														
	25.4mm Ø Straight	●	●	●	●	●	●	●	●	●	●	●	●	●	●
	25mm Ø Straight														
	3/16 Tapered														
	1/5 Tapered														
Muffler		●	●	●			●		●	●		●	●	●	
Muffler cover														●	
Spark arrester		(●)												●	
Fuel tank		●	●	●	●	●	●	●	●	●	●	●	●	●	
Oil alert															
Starter motor		●													
Control box		●													
Reduction															
Fuel pump															



Specifications		Model	GX390T2												
		Type	QC95	QCT	QCWE	QH	QHB1	QHB2	QHB3	QHB5	QHP1	QHT	QHT1	QHTN	QK45
Crankshaft	30mm Ø Spline														
	25.4mm Ø Spline														
	25.4mm Ø Straight	●	●	●	●	●	●	●	●	●	●	●	●	●	●
	25mm Ø Straight														
	3/16 Tapered														
	1/5 Tapered														
Muffler		●	●	●	●	●	●	●	●	●	●	●	●	●	●
Muffler cover						(●)	(●)								●
Spark arrester		(●)				(●)	(●)								●
Fuel tank		●	●	●	●	●	●	●	●	●	●	●	●	●	●
Oil alert															
Starter motor															
Control box															
Reduction															
Fuel pump							●								

Specifications		Model	GX390T2											
		Type	QKA5	QMH	QN	QNG	QNR5	QP	QPW	QTD	QTE	QTG	QTN	QX
Crankshaft	30mm Ø Spline													
	25.4mm Ø Spline													
	25.4mm Ø Straight	●	●	●	●	●	●	●	●	●	●	●	●	●
	25mm Ø Straight													
	3/16 Tapered													
	1/5 Tapered													
Muffler		●	●	●	●	●	●	●		●	●	●	●	●
Muffler cover		●												
Spark arrester		●			●	(●)		(●)			●			(●)
Fuel tank		●	●	●		●	●	●	●	●		●	●	●
Oil alert														
Starter motor		●				●				●				●
Control box		●				●				●				●
Reduction														
Fuel pump														



Specifications		Model	GX390T2												
		Type	QXA5	QXB5	QXE	QXE5	QXEK	QXG	QXK	QXQ5	QXU5	QZSD	QZSL	SC15	SC5
Crankshaft	30mm Ø Spline														
	25.4mm Ø Spline														
	25.4mm Ø Straight	●	●	●	●	●	●	●	●	●	●	●			
	25mm Ø Straight												●	●	
	3/16 Tapered														
	1/5 Tapered														
Muffler			●	●	●	●	●	●	●	●	●	●	●	●	
Muffler cover		●	●		●				●						
Spark arrester		(●)	●		(●)				(●)	(●)	(●)	(●)	(●)	(●)	
Fuel tank		●	●	●	●	●		●	●	●	●		●	●	
Oil alert															
Starter motor				●	●	●					●	●	●	●	
Control box				●	●	●					●			●	
Reduction															
Fuel pump															

Specifications		Model	GX390T2											
		Type	SCM5	SEM	SH	SHMV	SJG	SM11	SME5	SMEJ	SMM	SMTTP	STCH	SWA5
Crankshaft	30mm Ø Spline													
	25.4mm Ø Spline													
	25.4mm Ø Straight													
	25mm Ø Straight	●	●	●	●	●	●	●	●	●	●	●	●	●
	3/16 Tapered													
	1/5 Tapered													
Muffler		●	●	●	●	●	●	●	●	●	●	●	●	●
Muffler cover					●			●	(●)	(●)			●	(●)
Spark arrester		●	(●)		(●)			(●)	(●)	(●)	(●)		●	(●)
Fuel tank		●		●	●	●	●	●	●			●	●	●
Oil alert														
Starter motor			●						●		●			●
Control box														
Reduction														
Fuel pump														



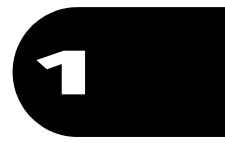
Specifications		Model	GX390T2												
		Type	SWDH	SWDL	SWE2	SWSC	SWX	SWX2	SX	SX5	SXC	SXE5	SXK	SXK1	SXQ5
Crankshaft	30mm Ø Spline														
	25.4mm Ø Spline														
	25.4mm Ø Straight														
	25mm Ø Straight	●	●	●	●	●	●	●	●	●	●	●	●	●	●
	3/16 Tapered														
	1/5 Tapered														
Muffler		●	●	●	●	●	●	●	●	●	●				●
Muffler cover									●		●				●
Spark arrester									(●)		(●)				(●)
Fuel tank		●	●	●	●	●	●	●	●	●	●				●
Oil alert															
Starter motor		●	●	●					●		●	●	●		
Control box				●							●				
Reduction															
Fuel pump															

Specifications		Model	GX390T2											
		Type	SZSK	VEP5	VMQ3	VMT	VMT2	VMT3	VPX5	VPXP	VS15	VS3	VS4	VS5
Crankshaft	30mm Ø Spline													
	25.4mm Ø Spline													
	25.4mm Ø Straight													
	25mm Ø Straight	●												
	3/16 Tapered		●	●					●	●	●	●	●	●
	1/5 Tapered				●	●	●							
Muffler		●	●	●	●	●	●				●	●	●	●
Muffler cover														
Spark arrester		(●)							●					
Fuel tank		●												
Oil alert														
Starter motor					●	●	●			●			●	●
Control box					●	●	●							
Reduction														
Fuel pump														



Specifications		Model	GX390T2												
		Type	VSB3	VSB4	VSD5	VSEP	VSP	VTE5	VWC5	VWE5	VWT5	VX	VXB5	VXE	VXEH
Crankshaft	30mm Ø Spline														
	25.4mm Ø Spline														
	25.4mm Ø Straight														
	25mm Ø Straight														
	3/16 Tapered	●	●	●	●	●	●	●	●	●	●	●	●	●	●
	1/5 Tapered														
Muffler		●	●	●		●	●				●	●	●		
Muffler cover				●						●		●			
Spark arrester				●	●							●			
Fuel tank				●		●					●	●	●		
Oil alert															
Starter motor		●			●		●		●	●			●	●	
Control box							●						●		
Reduction															
Fuel pump															

Specifications		Model	GX390T2						
		Type	VXG	VXH	VXK	VXU1	VZKK	VZS5	VZS6
Crankshaft	30mm Ø Spline								
	25.4mm Ø Spline								
	25.4mm Ø Straight								
	25mm Ø Straight								
	3/16 Tapered	●	●	●	●	●	●	●	●
	1/5 Tapered								
Muffler		●		●	●	●	●	●	●
Muffler cover									
Spark arrester									
Fuel tank				●	●	●			●
Oil alert									
Starter motor				●	●	●	●	●	●
Control box				●	●	●			●
Reduction									
Fuel pump									



Specifications		Model	GX390UT2			GX390UT2X		
		Type	QAPW	LFU	QMAH	SCC	LFU	QMAH
Crankshaft	30mm Ø Spline		●			●		
	25.4mm Ø Spline							
	25.4mm Ø Straight	●		●			●	
	25mm Ø Straight				●			●
	3/16 Tapered							
	1/5 Tapered							
Muffler		●	●	●	●	●	●	●
Muffler cover								
Spark arrester		(●)	●	(●)	(●)	●	(●)	(●)
Fuel tank		●	●	●	●	●	●	●
Oil alert								
Starter motor			●	●	●	●	●	●
Control box								
Reduction			●			●		
Fuel pump								

Fuel hose, general purpose hoses and vinyl hose

- The standard part fuel hose, general purpose hose and vinyl hose may be substituted by the coiled bulk part.
- When ordering the standard part fuel hose, general purpose hose and vinyl hose use the bulk part number written in the parts catalog in brackets () underneath the part name.
- When exchanging the hose, cut and use at the specified length as mentioned in the part name.
(For the method of cutting the bulk part, and method of filling out orders etc., please refer to the instructions issued with the bulk part.)

Bulk part number of fuel hose, general purpose hose and vinyl hose.

Example: 9 5 0 0 1 - 7 5 0 0 1 - 5 0 M

Bulk part number:

Refers to the bulk part.

Marking code (fuel hose and general purpose hose)

Change code (Vinyl hose)

Indicates number mark or change sequence, however, the code for the bulk part must be strictly 0 (zero).

Types of code:

- | | | | | | |
|-------------|--|----------------|--|--------------|---|
| • Fuel hose | 2: Red outside braid
(3 mm inside dia. only) | • General hose | 1: Ash gray
2: Ash gray
3: Black
5: Black | • Vinyl hose | 1: Clear
2: Black
3: Light red
6: Light red
7: Pale black |
| | 5: Black inside braid | | | | |
| | 3: Red (3 mm inside dia. only) | | | | |
| | 4: Ash gray with red stripe
(3 mm inside dia. only) | | | | |
| | 6: Black | | | | |

Lengths:

- 001: 1 m (standard)
003: 3 m
008: 8 m } Application or specification of some parts is not settled.

I.D code: (fuel hose and general purpose hose)

- | | | | | |
|------------|--------------------|--------------------|-----------------------------|-----------------------------|
| 30: 3.0 mm | 50: 5.0 mm | 70: 7.0 mm | 11: 11 mm | 12: 12 (outside dia. 17) mm |
| 35: 3.5 mm | 55: 5.3 mm, 5.5 mm | 75: 7.3 mm, 7.5 mm | 91: 12 (outside dia. 15) mm | 14: 14 mm |
| 45: 4.5 mm | 65: 6.5 mm | 80: 8.0 mm | 92: 12 (outside dia. 16) mm | 17: 17 mm |

ID./OD. code: (vinyl hose)

- | | | | | |
|-------------------------|--------------------------|---------------------------|---------------------------|---------------------------|
| 01: ID. 2.9, OD. 6.8 mm | 12: ID. 5.0, OD. 7.0 mm | 21: ID. 8.0, OD. 9.0 mm | 37: ID. 11.0, OD. 15.0 mm | 50: ID. 16.0, OD. 19.0 mm |
| 03: ID. 3.0, OD. 6.0 mm | 10: ID. 5.0, OD. 8.0 mm | 23: ID. 8.0, OD. 12.0 mm | 38: ID. 12.0, OD. 13.0 mm | 55: ID. 17.5, OD. 20.5 mm |
| 05: ID. 3.5, OD. 6.5 mm | 11: ID. 5.0, OD. 9.0 mm | 25: ID. 9.0, OD. 11.0 mm | 39: ID. 12.0, OD. 14.0 mm | 60: ID. 22.0, OD. 27.0 mm |
| 07: ID. 4.0, OD. 7.0 mm | 14: ID. 6.0, OD. 9.0 mm | 27: ID. 9.0, OD. 13.0 mm | 40: ID. 12.0, OD. 16.0 mm | |
| 08: ID. 4.5, OD. 6.5 mm | 17: ID. 7.0, OD. 9.0 mm | 33: ID. 10.0, OD. 14.0 mm | 43: ID. 13.0, OD. 15.0 mm | |
| 09: ID. 4.5, OD. 8.0 mm | 19: ID. 7.0, OD. 11.0 mm | 36: ID. 11.0, OD. 13.0 mm | 45: ID. 14.0, OD. 18.0 mm | |

Hose type:

- 1: Fuel hose
3: Vinyl hose
5: General hose

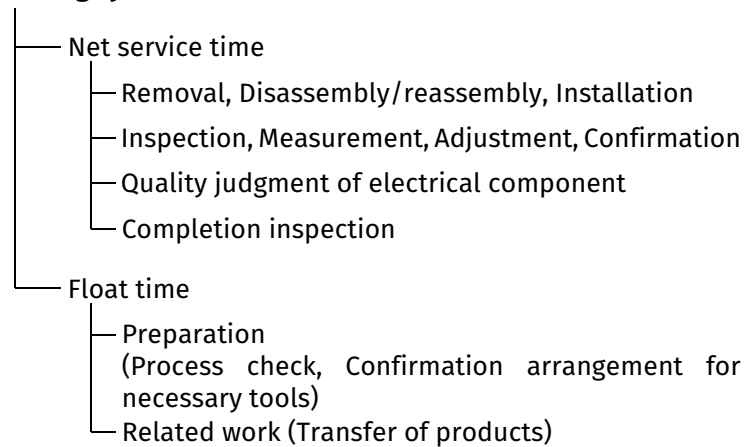
⊙ **CAUTION: It is DANGEROUS to confuse the fuel hose with the general purpose hose or vinyl hose.**

Never use a general purpose hose or vinyl hose in place of a fuel hose or vice versa. Always use the correct bulk part in the parts catalogue, according to the service manual or the instructions issued with the bulk part.

FLAT RATE SERVICE TIME

Flat rate service time (FRT) means the standard time required to service a product, which is listed in this manual to help the dealers control the actual working process and calculate the service charge by using it as a guide.

FRT setting system



* Float time is set by multiplying the net service time by a given coefficient.

Editorial style

The service items shown in the text are listed with the exchange work time for the repair sales parts as the subject. Other representative service items not using repair parts (removal/installation, adjustment, inspection/measuring, and other work) are listed collectively in the list in the preface, classified according to the work.

FRT setting standard

- Decimal system (in unit of 0.1) is adopted to set FRT as it is convenient to calculate the wage.
Example: (0.1)→6 minutes, (0.2)→12 minutes
[Labor cost per hour] x [FRT] = [Wage]
- FRT is set with a hand tool.
- Service items and FRT can be subject to change depending on development of tools and service equipment and improvement in service procedure.

Work procedure

- As the work procedure is set with the work time according to the method in the separate Service Manual, refer to this Manual as required.
- Work methods permitting servicing in the shortest time still permitting assurance of safe work and product warranty are used for the setting of service items not listed in the Service Manual.
- Work basically is to be performed by one person, and when two or more people are required, setting is done as the total time for the number of people.
- The set value for the technological level of the workers uses a person with three years of experience in the repair of Honda products as the standard.
- Special tools and service equipment used to set FRT are those specified or recommended in Service Manual.

Service item whose FRT is not presented

- Accessories and service parts that are not listed to use in this manual.
 - Locations with little aging deterioration or breakage during normal use.
 - Service work that can be finished by one touch.
 - Service work that is seldom done (i.e. extremely small causes of trouble and service frequency).
 - Products and parts whose location for installation differs according to its status of use and application.
- * When FRT is not presented, please calculate wages based on appropriate actual work time.

Operation not included of FRT

- Oil and coolant water draining, Waiting time for warming up operation and etc..
- Additional operation that involves removal/installation of standard exterior equipment.
- Indirect time spent for service by visiting the customer, trade-in, and delivery.
- Indirect time required for ordering and delivery of parts.
- Cost for grease, adhesive agent, etc. used for service work.

Explanation of FRT by using an example
(The example may differ from the actual presented items)

Ref. No.	L.O.N.	(Relative ref. Number) Description	F.R.T.
①	1111L1	(1, 3, 4, 7) VALVE, INTAKE 4.1	②
③	1111L1A	• NOTE: OHV type • Includes: Engine removal and installation	⑦
		One head (intake all) add1.4	⑤

- ① Reference No. of the illustration of part that shows location of the replacement work.
- ② FRT is an abbreviation of Flat Rate Time indicating the standard service time required for the replacement.
- ③ LON is an abbreviation of Labor Operation Number, and it is a classification of the service items by the work unit code.

The same operation code is used regardless of the models.

Standard operation is indicated with 6 digits code, and additional operation is indicated with 7 digits code.

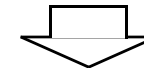
- ④ Indicating the intake valve replacement and FRT4.1.
- ⑤ Indicating FRT1.4 that will be added when additional operation (whole intake side of one cylinder head) is done in association with intake valve replacement.

- ⑥ Indicating work condition or application condition of the service item.
- ⑦ Indicating work contents that are included in the service item.
- ⑧ Indicating a reference No. whose operation and time are the same as FRT4.1 for the intake valve.

(The application range is limited to the service items without an LON setting within a same block.)

How to refer to the service item by using the sample
 (intake valve replacement)

Open to the page of the block where the intake valve's spare part illustration is shown.



Look for the intake valve illustration, and refer to the service item and FRT that agree with the reference No.

Indication mark for the listing of service items that continues to the following page

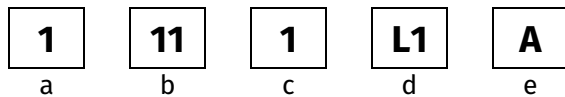
Ref. No.	L.O.N.	(Relative ref. Number) Description	F.R.T.
2	1111L1	VALVE, INTAKE	4.1
	.	.	.
	.	.	.

+
Mark indicated at the last line.

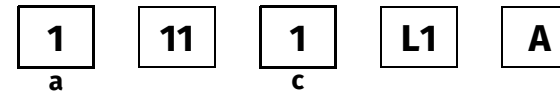
Indication of the block with no setting of FRT

Ref. No.	L.O.N.	(Relative ref. Number) Description	F.R.T.
NO INFORMATION			

• **LON code system**



- a) Category code..... Engine
- b) Location/function code..... Engine upper
- c) Operation code..... Replace
- d) Operation sequence number (Unit code can be shown with alphabet)
..... Intake valve
(No regular rule of code)
- e) Additional code..... One head (intake all)
(No regular rule of code)



a) Category codes and classification

Code	Category
1	Engine
2	Power drive
3	Fuel & Exhaust
4	Frame & Body
5	Steering
6	Electrical
7	Axle & Brake
8	Control system
9	-
0	Attachments

c) Operation codes and classification

Code	Operation category
1	Replace, Removal/Installation, Change
2	Overhaul
3	Adjust, Rotation
4	(Paint-related work: Top-coat)
5	Test, Inspect/diagnose, Measurement
6	(Overhaul-related work: Rebore)
7	(Overhaul-related work: Reseal)
8	(Resurface)
9	(Paint-related work: Refinish)
0	Repair, Cleaning, Air bleeding



Major service items without using spare parts

Removal/Installation, Adjustment, Inspection/Measurement, Overhaul, Other work

E: Engine, T: Transmission, D: Drive system, B: Body and related parts

• **Adjustment**

	LON	DESCRIPTION	FRT
E	1113A1	VALVE CLEARANCE-ADJUSTMENT NOTE: For 1 product	0.3
	1163A0	CONTROL, THROTTLE/GOVERNOR-ADJUSTMENT	0.2
	3113A2	CARBURETOR IDLE-ADJUSTMENT	0.2

• **Inspection/Measurement**

	LON	DESCRIPTION	FRT
E	1105A0	ENGINE OIL-INSPECTION	0.1

• **Overhaul**

Work conditions: The required measurements, inspections, adjustments, and cleaning/washing for each part are performed, including the main body removal/installation work and the replacement of defective parts.

	LON	DESCRIPTION	FRT
E	3112A0	CARBURETOR-OVERHAUL INCLUDES: All necessary adjustment	0.6
	3112A0A	iGX type add	0.2

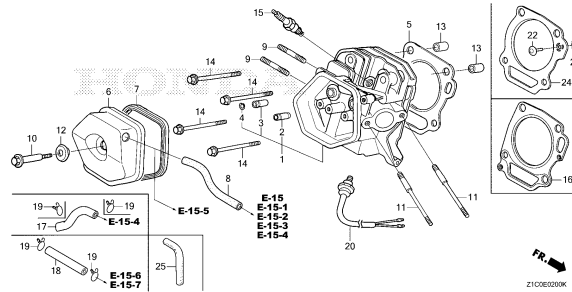
• **Other work**

	LON	DESCRIPTION	FRT
E	1101E1	ENGINE OIL-CHANGE INCLUDES: Engine oil-inspection	0.2
	3120A0	AIR CLEANER-CLEANING INCLUDES: Air cleaner-inspection	0.2
	3130A0	SPARK ARRESTER-CLEANING INCLUDES: Spark arrester-inspection	0.2
	6140A0	SPARK PLUG-ADJUSTMENT/CLEANING INCLUDES: Spark plug check NOTE: For 1 product	0.1

ENGINE GROUP

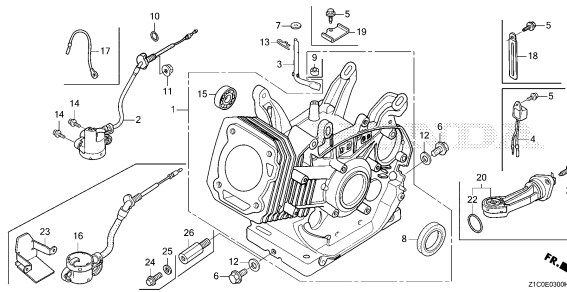
E-2

CYLINDER HEAD



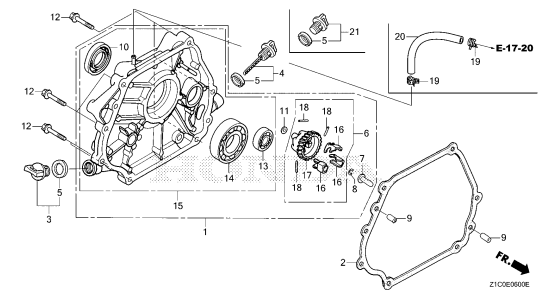
E-3

CYLINDER BARREL



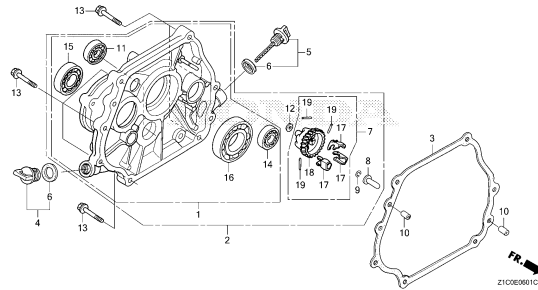
E-6

CRANKCASE COVER(1)



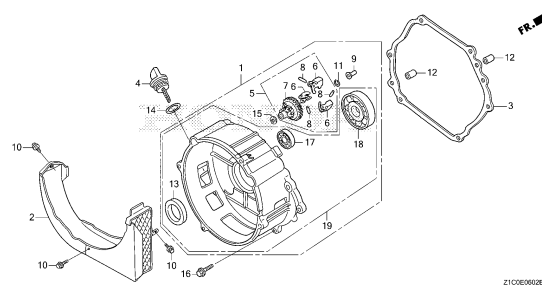
E-6-1

CRANKCASE COVER(2)



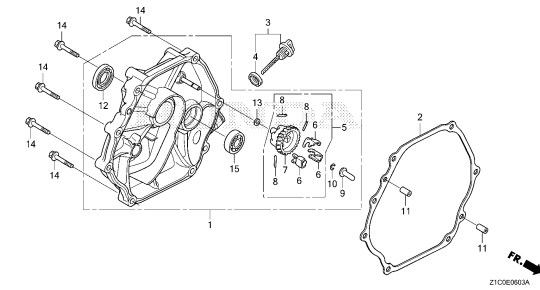
E-6-2

CRANKCASE COVER(3)



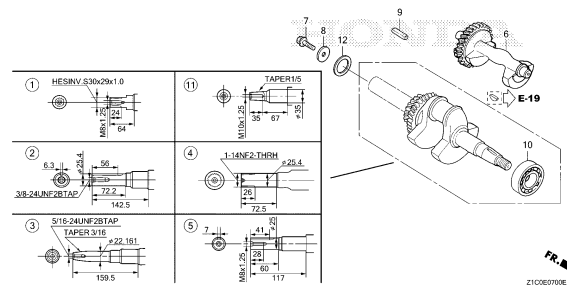
E-6-3

CRANKCASE COVER(4)



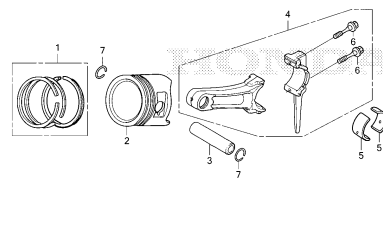
E-7

CRANKSHAFT



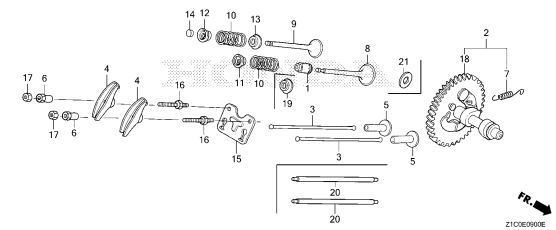
E-8

PISTON



E-9

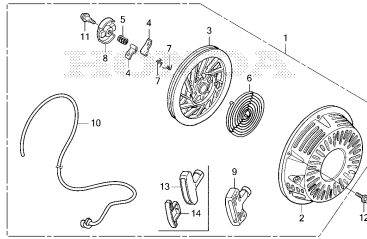
CAMSHAFT



ENGINE GROUP

E-11

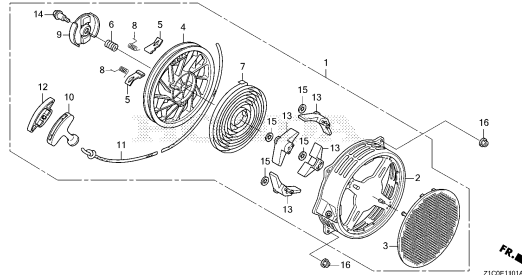
RECOIL STARTER(1)



FR →
Z1COE1100B

E-11-1

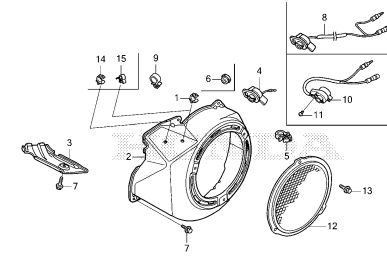
RECOIL STARTER(2)



FR →
Z1COE1101A

E-12

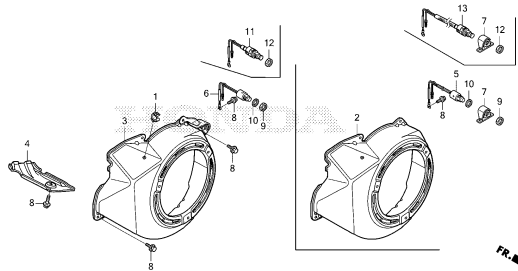
FAN COVER(1)



FR →
Z1COE1200E

E-12-1

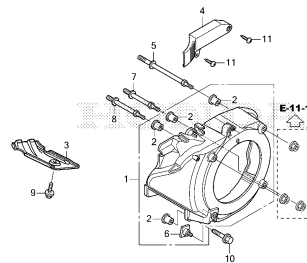
FAN COVER(2)



FR →
Z1COE1201C

E-12-2

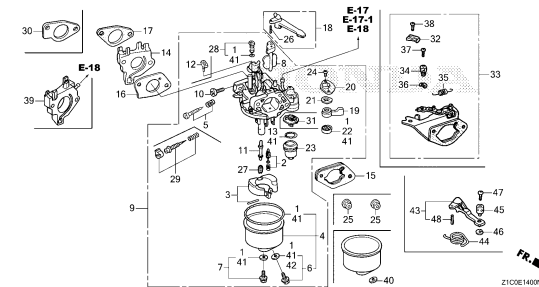
FAN COVER(3)



FR →
Z1COE1202A

E-14

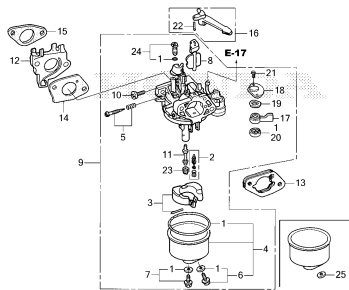
CARBURETOR(1)



FR →
Z1COE1400N

E-14-1

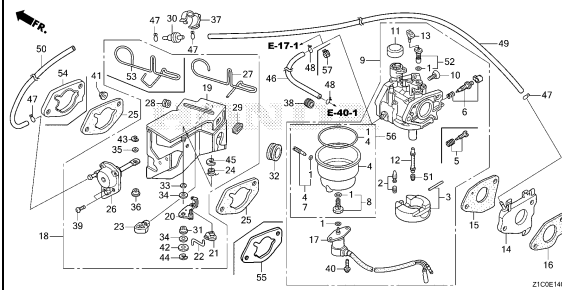
CARBURETOR(2)



FR →
Z1COE1401D

E-14-2

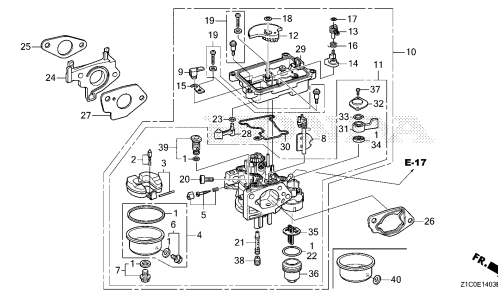
CARBURETOR(3)



FR →
Z1COE1402G

E-14-3

CARBURETOR(4)

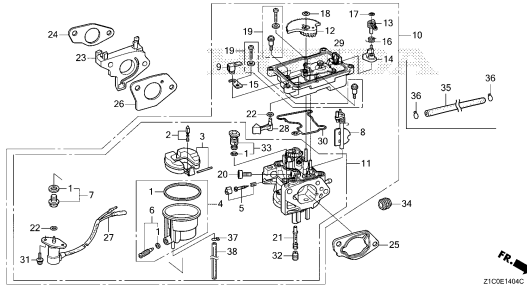


FR →
Z1COE1403B

ENGINE GROUP

E-14-4

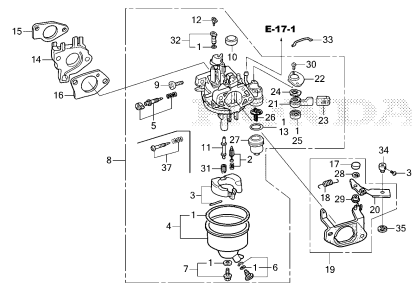
CARBURETOR(5)



Z1C0E1404C

E-14-5

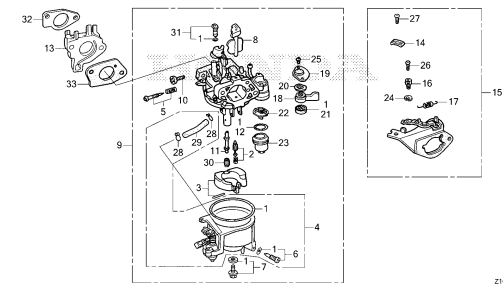
CARBURETOR(6)



Z1C0E1405B

E-14-6

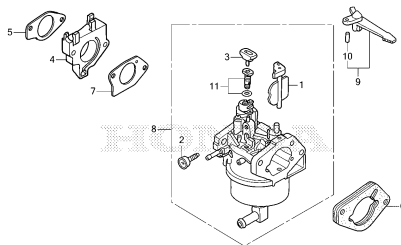
CARBURETOR(7)



Z1C0E1406A

E-14-7

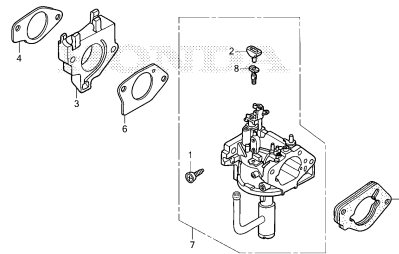
MIXER(1)



Z1C0E1407A

E-14-8

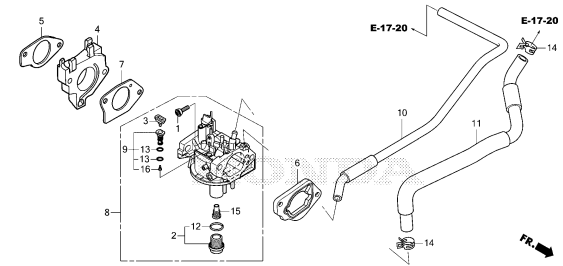
MIXER(2)



Z1C0E1408A

E-14-9

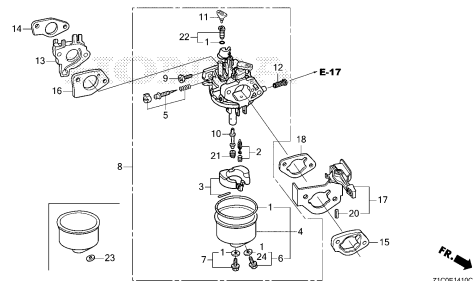
MIXER(3)



Z1C0E1409A

E-14-10

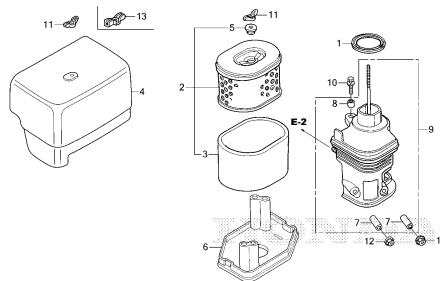
CARBURETOR(8)



Z1C0E1410C

E-15

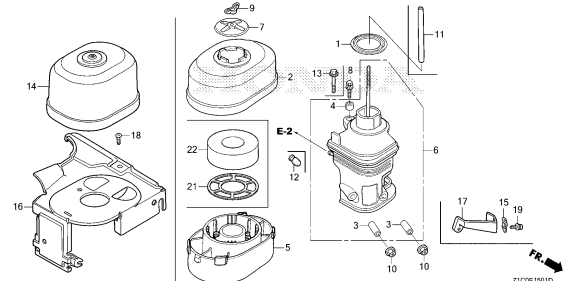
AIR CLEANER(1)



Z1C0E1500B

E-15-1

AIR CLEANER(2)



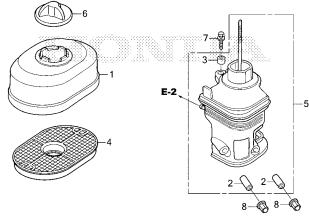
Z1C0E1501D

2

ENGINE GROUP

E-15-2

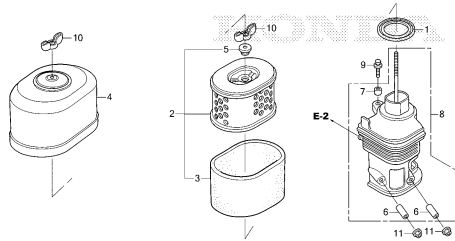
AIR CLEANER(3)



FR →
Z1COE1902A

E-15-3

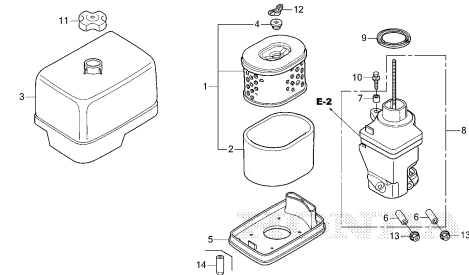
AIR CLEANER(4)



FR →
Z1COE1903A

E-15-4

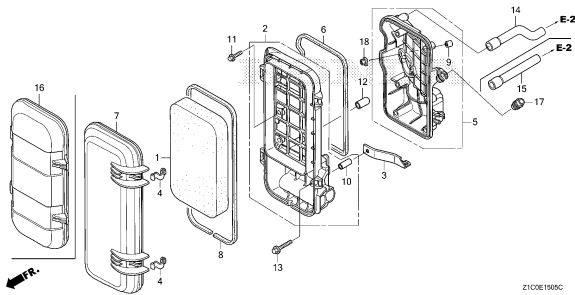
AIR CLEANER(5)



FR →
Z1COE1904B

E-15-5

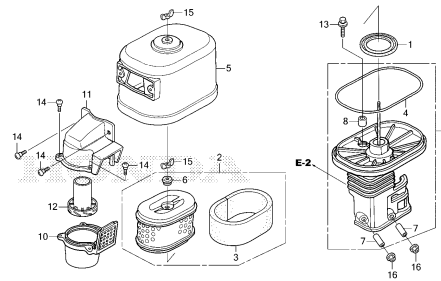
AIR CLEANER(6)



Z1COE1905C

E-15-6

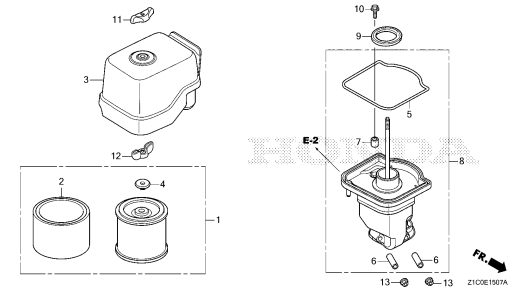
AIR CLEANER(7)



FR →
Z1COE1906A

E-15-7

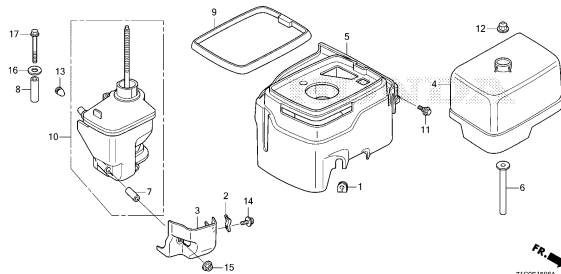
AIR CLEANER(8)



FR →
Z1COE1907A

E-15-8

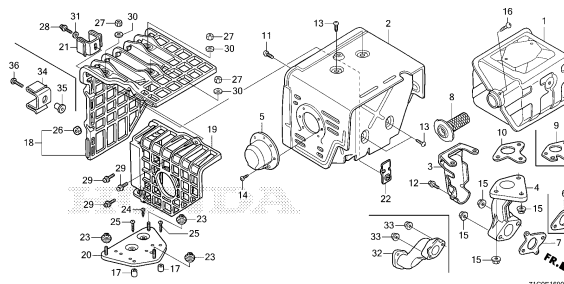
AIR CLEANER(9)



FR →
Z1COE1908A

E-16

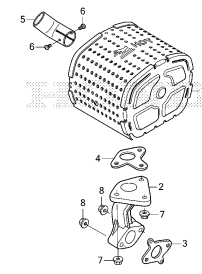
MUFFLER(1)



FR →
Z1COE1600E

E-16-1

MUFFLER(2)

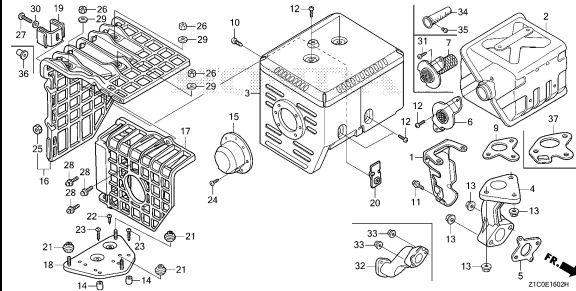


FR →
Z1COE1601C

ENGINE GROUP

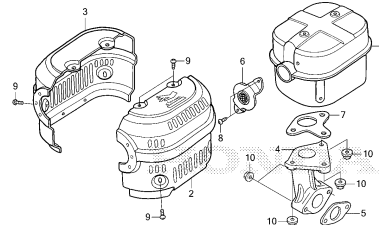
E-16-2

MUFFLER(3)



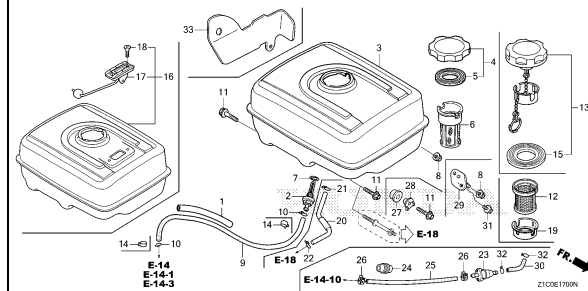
E-16-3

MUFFLER(4)



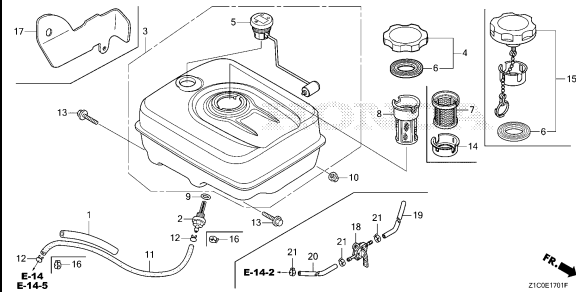
E-17

FUEL TANK(1)



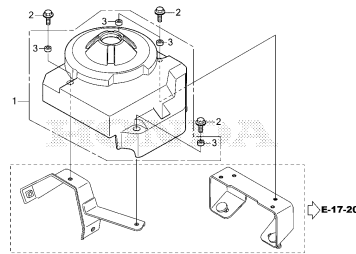
E-17-1

FUEL TANK(2)



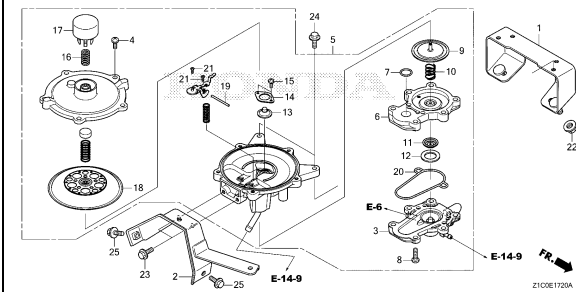
E-17-10

ZERO GOVERNOR COVER



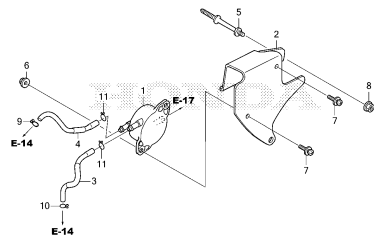
E-17-20

ZERO GOVERNOR



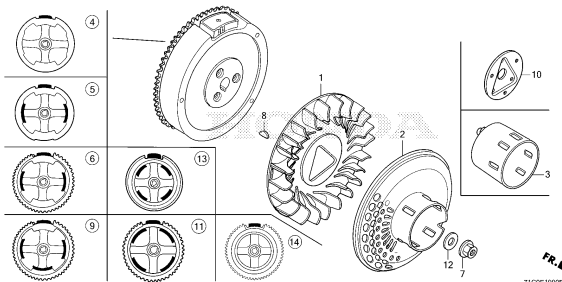
E-18

FUEL PUMP



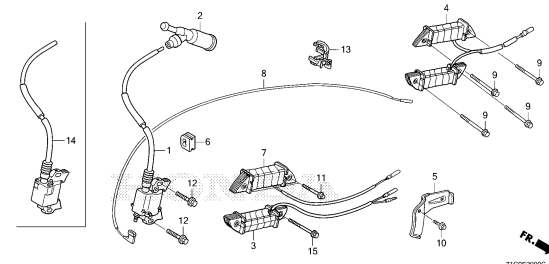
E-19

FLYWHEEL



E-20

IGNITION COIL(1)

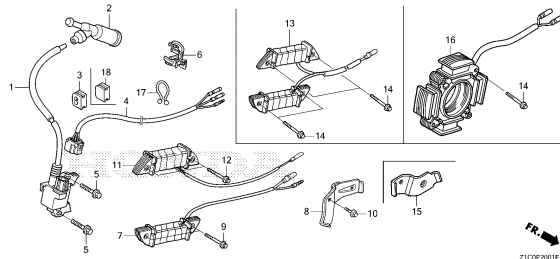


2

ENGINE GROUP

E-20-1

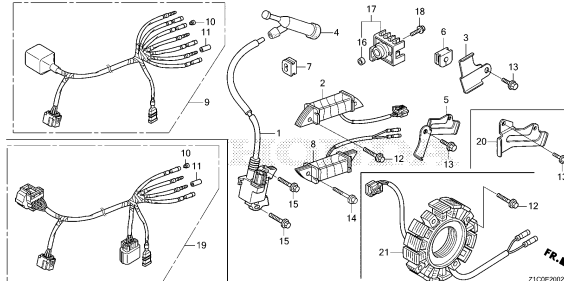
IGNITION COIL(2)



FR. →
Z10XE201F

E-20-2

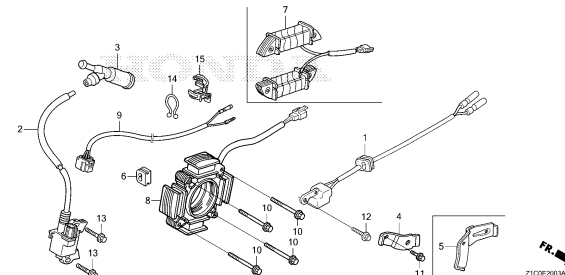
IGNITION COIL(3)



FR. →
Z10XE202C

E-20-3

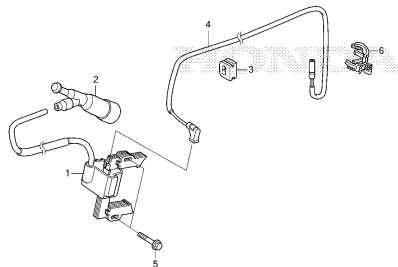
IGNITION COIL(4)



FR. →
Z10XE203A

E-20-4

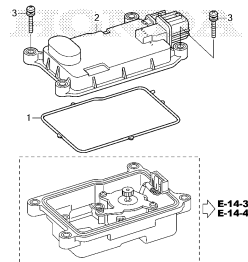
IGNITION COIL(5)



FR. →
Z10XE204A

E-20-10

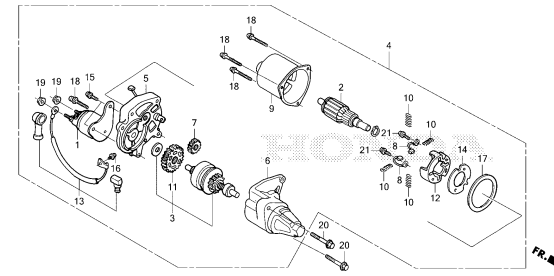
ELECTRONIC CONTROL UNIT



FR. →
Z10XE2010B

E-21

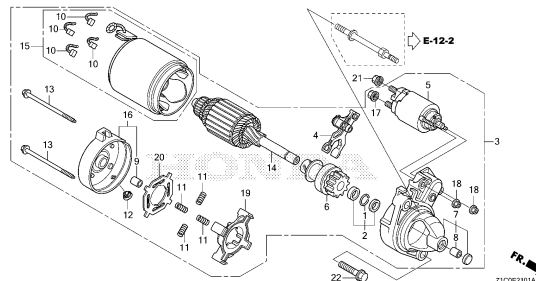
STARTER MOTOR(1)



FR. →
Z10XE2100B

E-21-1

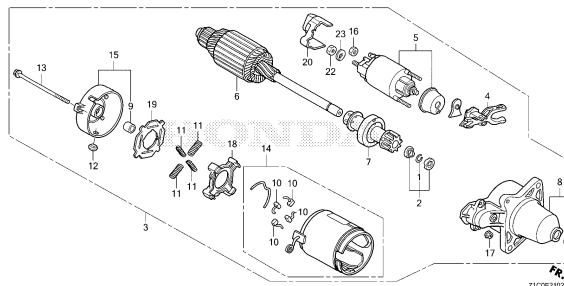
STARTER MOTOR(2)



FR. →
Z10XE2101A

E-21-2

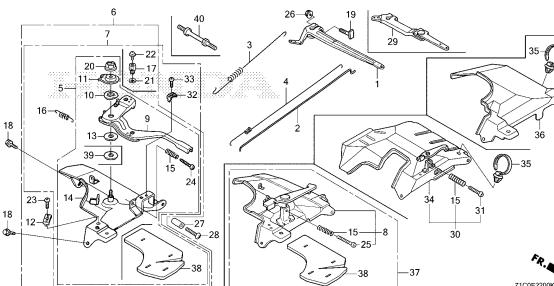
STARTER MOTOR(3)



FR. →
Z10XE2102A

E-22

CONTROL(1)



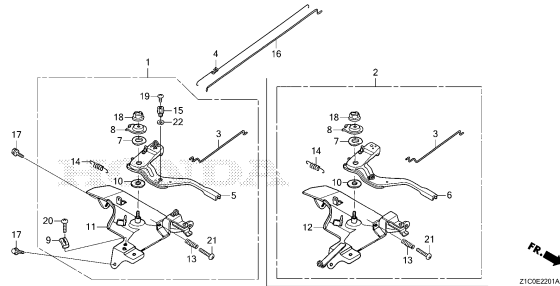
FR. →
Z10XE2200K

2

ENGINE GROUP

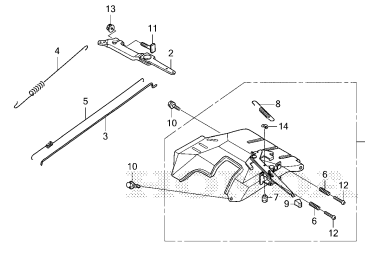
E-22-1

CONTROL(2)



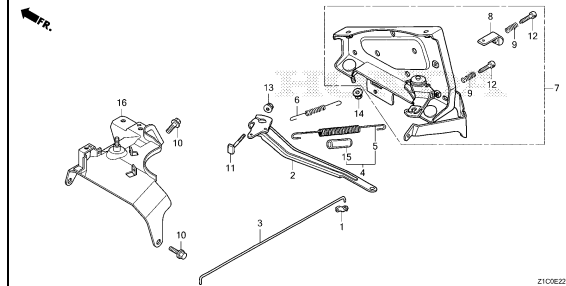
E-22-2

CONTROL(3)



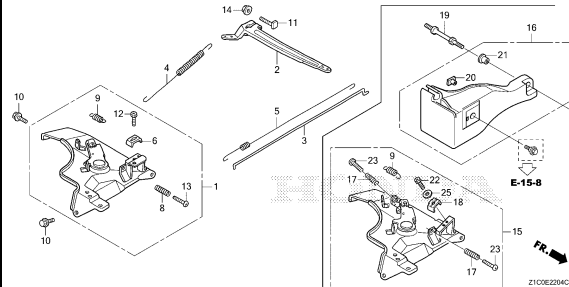
E-22-3

CONTROL(4)



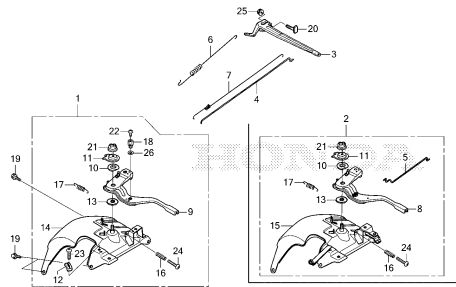
E-22-4

CONTROL(5)



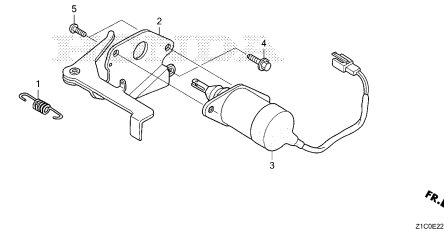
E-22-5

CONTROL(6)



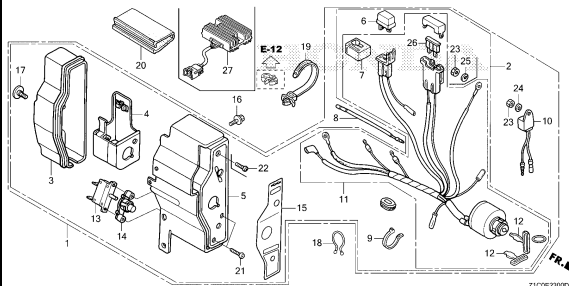
E-22-20

AUTO THROTTLE



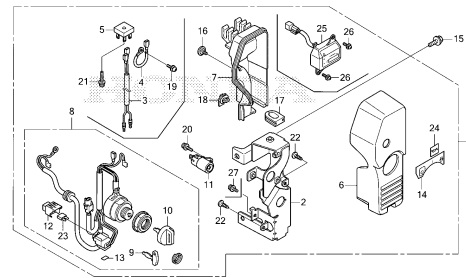
E-23

CONTROL BOX(1)



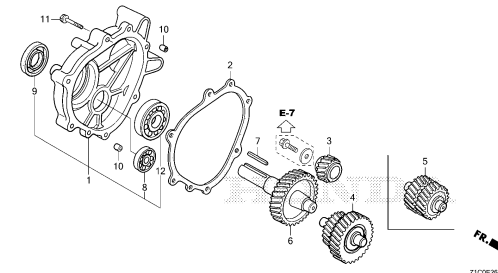
E-23-1

CONTROL BOX(2)



E-26

REDUCTION

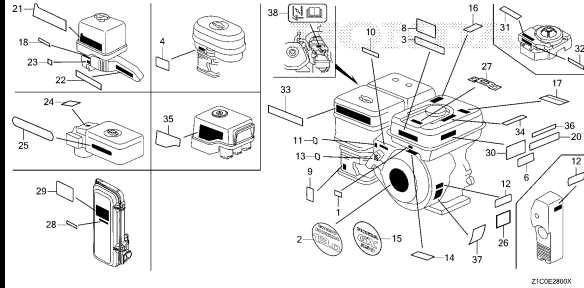


2

ENGINE GROUP

E-28

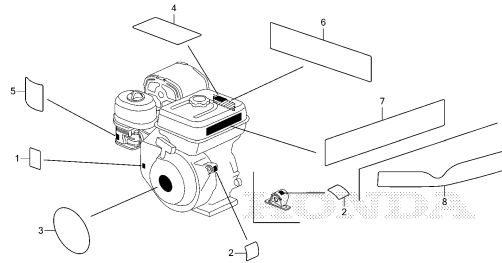
LABEL(1)



Z1COE2800X

E-28-1

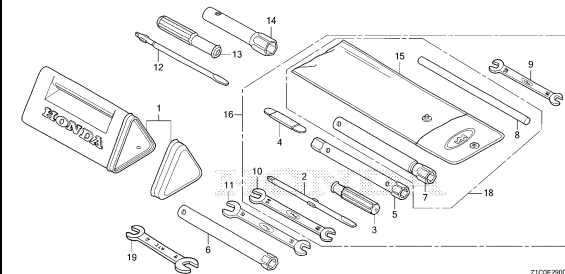
LABEL(2)



Z1COE2810

E-29

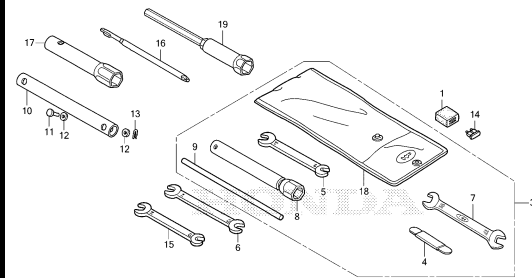
TOOL(1)



Z1COE2900E

E-29-1

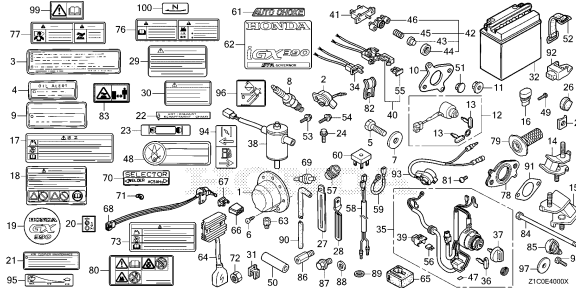
TOOL(2)



Z1COE2910C

E-40

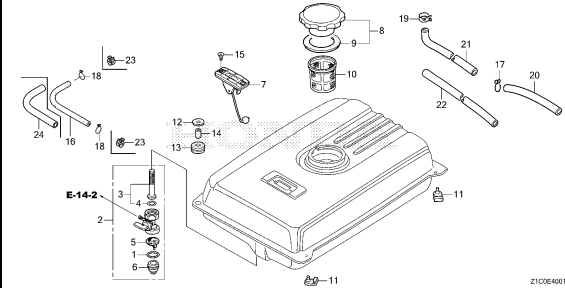
OTHER PARTS(1)



Z1COE4000X

E-40-1

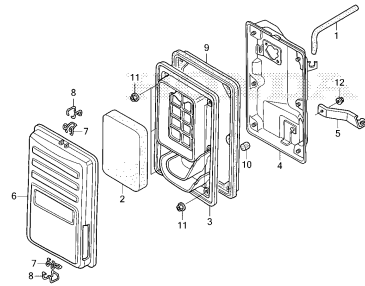
OTHER PARTS(2)(FUEL COCK)



Z1COE4010E

E-40-2

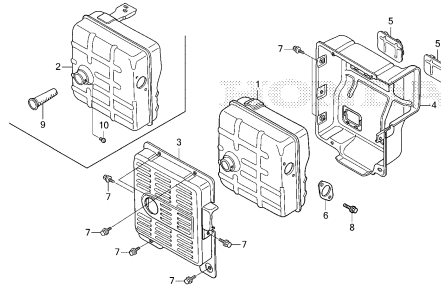
OTHER PARTS(3)(AIR CLEANER)



Z1COE4020A

E-40-3

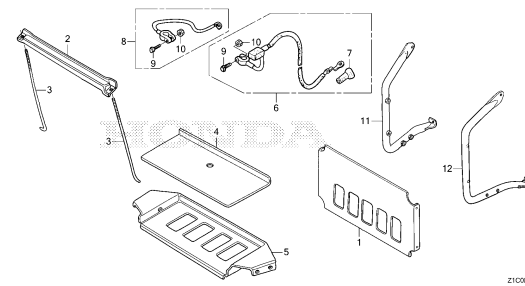
OTHER PARTS(4)(MUFFLER)



Z1COE4030B

E-40-4

OTHER PARTS(5)(BATTERY TRAY)

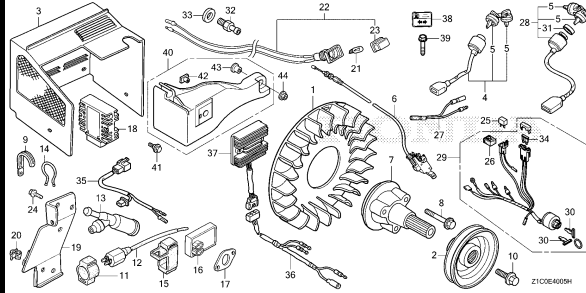


Z1COE4040A

ENGINE GROUP

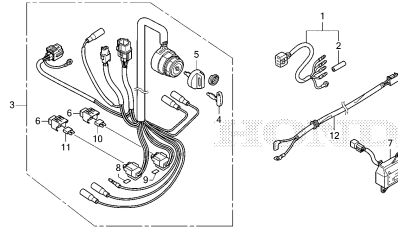
E-40-5

OTHER PARTS(6)



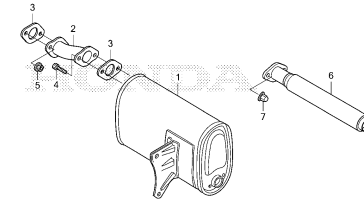
E-40-6

OTHER PARTS(7)



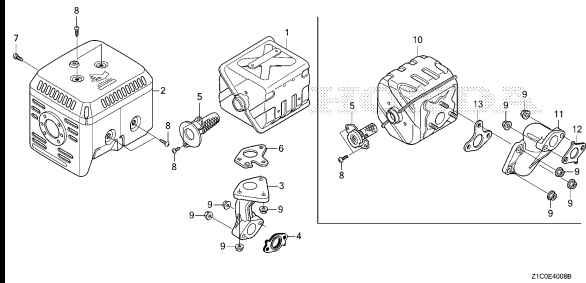
E-40-7

OTHER PARTS(8)(MUFFLER)



E-40-8

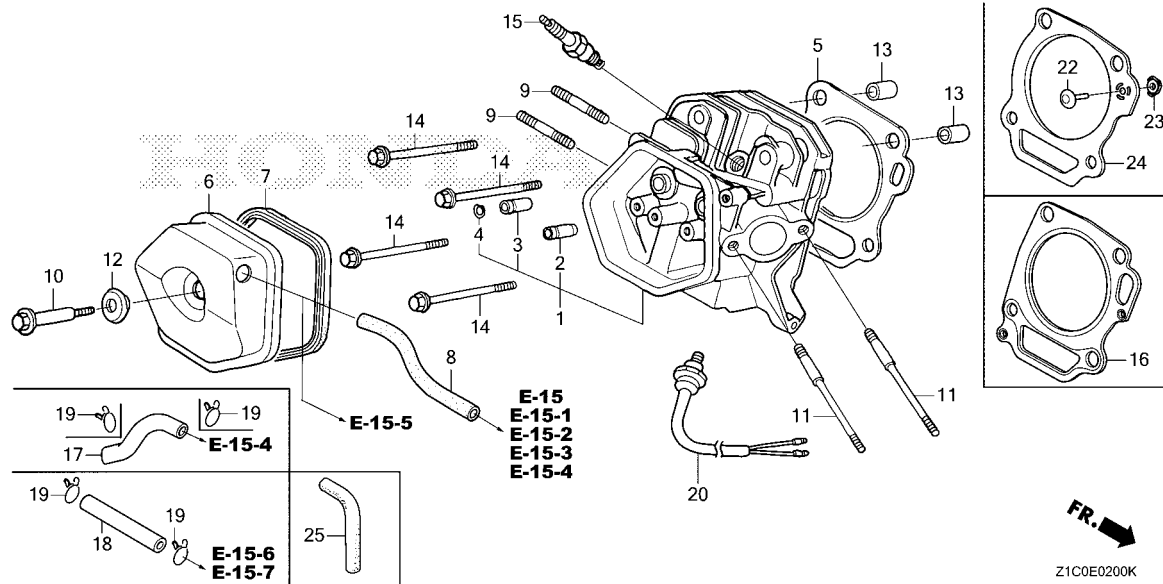
OTHER PARTS(9)(MUFFLER)



2

E-2

CYLINDER HEAD



Ref. No.	L.O.N.	(Relative ref. Number) Description	F.R.T.
1	1111N3	HEAD, CYLINDER	0.9
	1111N3C	.iGX type add	0.2
2	1111E9	GUIDE, INTAKE VALVE	0.8
		.INCLUDES: Valve clearance adjustment	
	1111E9E	.Replace intake and exhaust all add	0.3
	1111E9H	.iGX type add	0.2
3	1111E8	GUIDE, EXHAUST VALVE	0.8
		.INCLUDES: Valve clearance adjustment	
	1111E8E	.Replace intake and exhaust all add	0.3
	1111E8H	.iGX type add	0.2
5		(16, 24)	
	1111N4	GASKET, CYLINDER HEAD	0.5
	1111N4C	.iGX type add	0.2
6		(7)	
	1111D5	CYLINDER HEAD COVER AND/OR PACKING	0.1
8		(17, 18, 25)	
	1111K5	TUBE, BREATHER	0.1
15	6141C1	PLUG, SPARK	0.1
		.INCLUDES: Spark plug check	
20	6171C4	SWITCH, CYLINDER HEAD THERMO ..	0.2

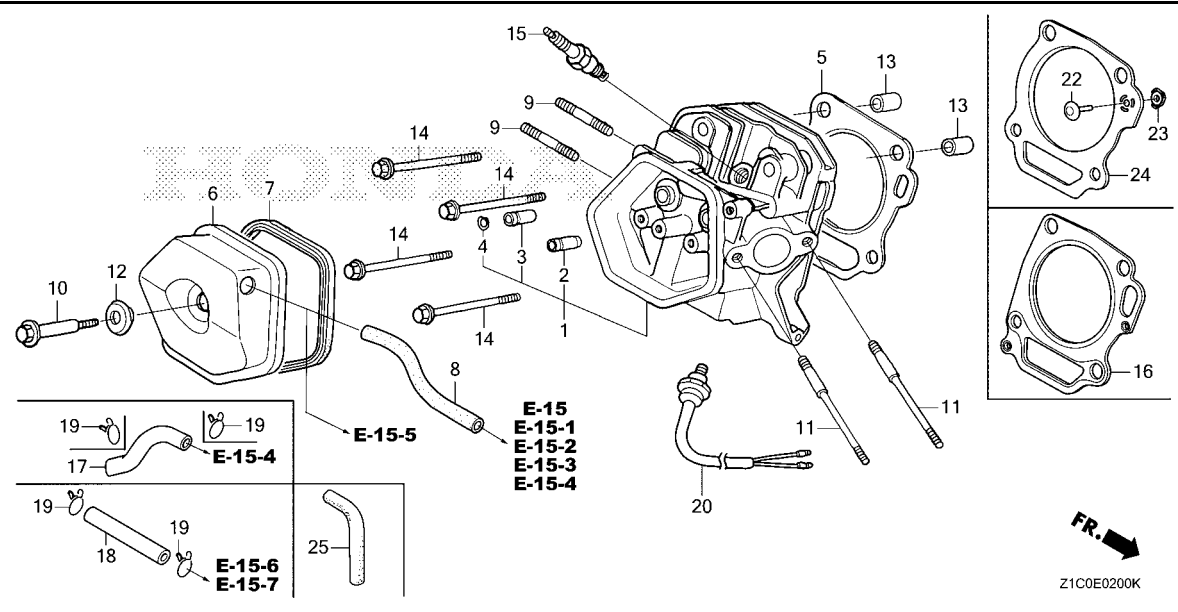
Ref. No.	Part No.	Description	Reqd. QTY					Serial No.	Parts catalogue code
			GX 390 T1	GX 390 T2	GX 390 T2X	GX 390 UT2	GX 390 UT2X		
1	12200-Z1C-406	HEAD COMP., CYLINDER.....	1	-	-	-	-		
	12210-Z5T-416	-	1	-	1	1	-----	
	12210-Z1C-Q00	-	1	-	-	-	-----	
	12210-Z1C-405	-	1	-	-	-	-----	
	12210-Z1C-407	-	1	-	-	-	-----	
	12210-Z1C-408	-	1	-	-	-	-----	
	12210-Z1C-409	-	1	-	-	-	-----	
	12210-Z5T-407	-	1	-	-	-	-----	
	12210-Z5T-406	-	1	-	-	-	-----	
	12210-Z5T-416	-	1	-	-	-	1188310 -----	
			-	-	1	-	-		

EDS1, EDS5, EDT1, EDT5, ES5, EWS1, EWS3, EWS4, EWS5, EZD5, LEAJ, LFU LTK1, LWD, LWD1, LWP1, LXE5, LXQ5, PKT5, PXE5, PXU5, QA25, QAA5 QAPW/A, QBE1/A, QC1, QC2, QC55, QC95, QCT, QCWE, QHB1/A, QHT, QHT1 QHTN, QK45, QKA5, QMAH, QMAH/A, QNR5, QTE, QX5, QXA5, QXB5, QXE5 QXQ5, QXU5, QZSD, QZSL, SC15, SC5, SCC, SCM5, SEM, SHMV, SJG, SM11 SME5, SMEJ, SMM, STCH, SWA5, SWD4, SWDH, SWDL, SWSC, SX5, SXE5, SXX SXQ5, SZSK, VEP5, VPX5, VPXP, VPXP/A, VS15, VS3, VS5, VSD5, VSEP VSP/A, VWC5, VWE5, VWT5, VXB5, VXE5, VXH LBD, LBP, QBD, QBL, QBP, QBT LBH, LBHB, LBHS, QBH, QBHS, QBHZ, QBLS, QBS, QBS1 QHB2, QHB2/A QNG, QTG, QXG, VXG QPW SMT, SXX1 1188309 ES2, EZDS, EZS4, EZS5, LH, LH2, LHB5, LHP1, LXE9, PX, QAPW, QBE1, QH QHB1, QHB3, QHB5, QHP1, QMH, QN, QP, QTD, QTN, QX, QXE, QXEK, QXK, SH SWE2, SWX, SWX2, SX, SXC, VMQ3, VMT, VMT2, VMT3, VS4, VS6, VSB3, VSB4 VSP, VTE5, VX, VXE, VXX, VXU1, VZKK, VZS5, VZS6, VZX ES2, EZDS, EZS4, EZS5, LH, LH2, LHB5, LHP1, LXE9, PX, QAPW, QBE1, QH QHB1, QHB3, QHB5, QHP1, QMH, QN, QP, QTD, QTN, QX, QXE, QXEK, QXK, SH SWE2, SWX, SWX2, SX, SXC, VMQ3, VMT, VMT2, VMT3, VS4, VS6, VSB3, VSB4 VSP, VTE5, VX, VXE, VXX, VXU1, VZKK, VZS5, VZS6, VZX



E-2

CYLINDER HEAD



Ref. No.	L.O.N.	(Relative ref. Number) Description	F.R.T.
----------	--------	------------------------------------	--------

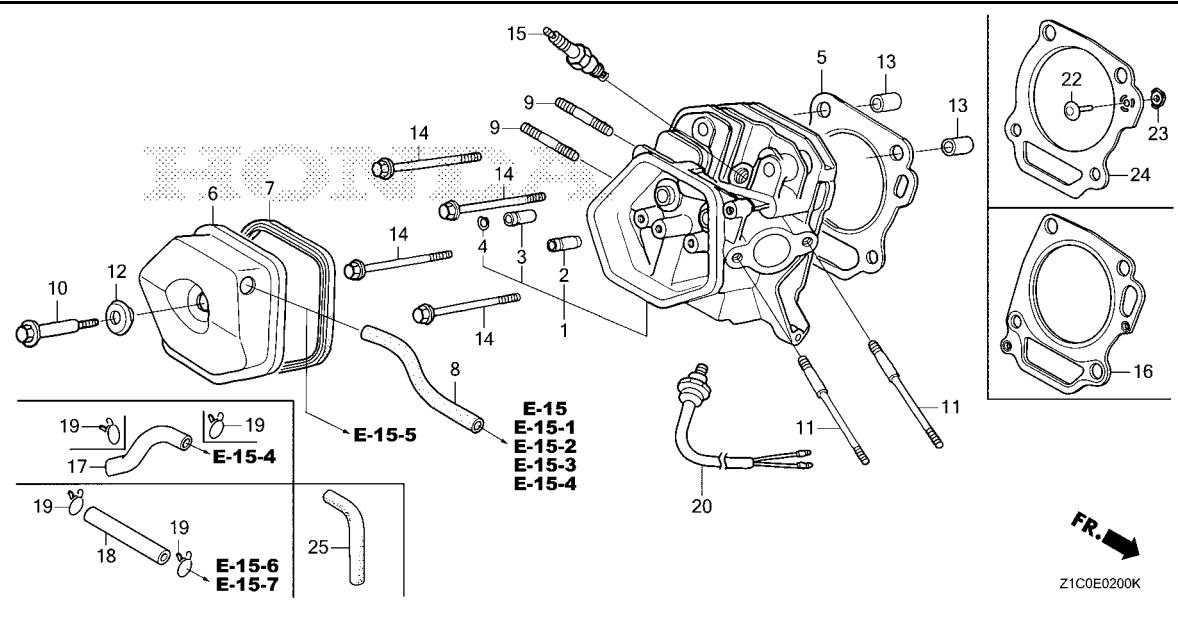
22	(23)	1111CA VALVE, UMBRELLA CHECK	0.5
----	------	------------------------------------	-----

Ref. No.	Part No.	Description	Reqd. QTY					Serial No.	Parts catalogue code
			GX 390 T1	GX 390 T2	GX 390 T2X	GX 390 UT2	GX 390 UT2X		
2	12204-ZE2-306	GUIDE, IN. VALVE(O.S.)	1	-	-	-	-	-----	EDS1, EDS5, EDT1, EDT5, ES2, ES5, EWS1, EWS3, EWS4, EWS5, EZD5, EZDS EZS4, EZS5, LBD, LBH, LBHB, LBHS, LBP, LEAJ, LH, LH2, LHB5, LHP1 LTK1, LWD, LWD1, LWP1, LXE5, LXE9, LXQ5, PKT5, PX, PXE5, PXU5, QA25 QAA5, QBD, QBE1, QBE1/A, QBH, QBHS, QBHZ, QBL, QBL5, QBP, QBS, QBS1 QBT, QC1, QC2, QC55, QC95, QCT, QCWE, QH, QHB1, QHB1/A, QHB2, QHB2/A QHB3, QHB5, QHP1, QHT, QHT1, QHTN, QK45, QKA5, QMH, QN, QNR5, QP, QTD QTE, QTN, QX, QX5, QXA5, QXB5, QXE, QXE5, QXEK, QXK, QXQ5, QXU5, QZSD QZSL, SC15, SC5, SCM5, SEM, SH, SHMV, SJG, SM11, SME5, SMEJ, SMM SMTP, STCH, SWA5, SWD4, SWDH, SWDL, SWE2, SWSC, SWX, SWX2, SX, SX5 SXC, SXE5, SXK, SXX1, SXQ5, SZSK, VEP5, VMQ3, VMT, VMT2, VMT3, VPX5 VPXP, VPXP/A, VS15, VS3, VS4, VS5, VS6, VSB3, VSB4, VSD5, VSEP, VSP VSP/A, VTE5, VWC5, VWE5, VMT5, VX, VXB5, VXE, VXEH, VXH, VXX, VXU1 VZKK, VZS5, VZS6, VZX
3	12205-ZE2-305	GUIDE, EX. VALVE(O.S.)	1	-	-	-	-	-----	EDS1, EDS5, EDT1, EDT5, ES2, ES5, EWS1, EWS3, EWS4, EWS5, EZD5, EZDS EZS4, EZS5, LBD, LBH, LBHB, LBHS, LBP, LEAJ, LH, LH2, LHB5, LHP1 LTK1, LWD, LWD1, LWP1, LXE5, LXE9, LXQ5, PKT5, PX, PXE5, PXU5, QA25 QAA5, QBD, QBE1, QBE1/A, QBH, QBHS, QBHZ, QBL, QBL5, QBP, QBS, QBS1 QBT, QC1, QC2, QC55, QC95, QCT, QCWE, QH, QHB1, QHB1/A, QHB2, QHB2/A QHB3, QHB5, QHP1, QHT, QHT1, QHTN, QK45, QKA5, QMH, QN, QNR5, QP, QTD QTE, QTN, QX, QX5, QXA5, QXB5, QXE, QXE5, QXEK, QXK, QXQ5, QXU5, QZSD QZSL, SC15, SC5, SCM5, SEM, SH, SHMV, SJG, SM11, SME5, SMEJ, SMM SMTP, STCH, SWA5, SWD4, SWDH, SWDL, SWE2, SWSC, SWX, SWX2, SX, SX5 SXC, SXE5, SXK, SXX1, SXQ5, SZSK, VEP5, VMQ3, VMT, VMT2, VMT3, VPX5 VPXP, VPXP/A, VS15, VS3, VS4, VS5, VS6, VSB3, VSB4, VSD5, VSEP, VSP VSP/A, VTE5, VWC5, VWE5, VMT5, VX, VXB5, VXE, VXEH, VXH, VXX, VXU1 VZKK, VZS5, VZS6, VZX



E-2

CYLINDER HEAD



Ref. No.	Part No.	Description	Reqd. QTY					Serial No.	Parts catalogue code
			GX 390 T1	GX 390 T2	GX 390 T2X	GX 390 UT2	GX 390 UT2X		
4	12216-ZE2-300	CLIP, VALVE GUIDE	1	1	1	1	1	-----	EDS1, EDS5, EDT1, EDT5, ES2, ES3, ES5, EWS1, EWS3, EWS4, EWS5, EZD5, EZDS, EZS4, EZS5, LBD, LBH, LBHB, LBHS, LBP, LEAJ, LFU, LH, LH2, LHB5, LHP1, LP, LT, LTK1, LWD, LWD1, LWP1, LXE5, LXE8, LXE9, LXQ5, LXU, PKT5, PX, PXE5, PXE8, PXU, PXU5, QA2, QA25, QA26, QAA2, QAA5, QAA6, QAPW, QAPW/A, QBD, QBE1, QBE1/A, QBH, QBHS, QBHZ, QBL, QBLS, QBP, QBS, QBS1, QBT, QC1, QC2, QC55, QC95, QCT, QCWE, QH, QHB1, QHB1/A, QHB2, QHB2/A, QHB3, QHB5, QHP1, QHT, QHT1, QHTN, QK45, QKA5, QMAH, QMAH/A, QMH, QN, QNR5, QP, QPW, QT, QTD, QTE, QTN, QX, QX5, QXA5, QXB5, QXE, QXE5, QXE8, QXEK, QXK, QXQ4, QXQ5, QXU, QXU5, QZSD, QZSL, SC15, SC5, SCC, SCM5, SEM, SH, SHE, SHMV, SJG, SM11, SME5, SMEJ, SMM, SMTP, SN, STCH, SWA5, SWD4, SWDH, SWDL, SWE, SWE2, SWSC, SWX, SWX2, SX, SX5, SXC, SXE, SXE5, SXE8, SXX, SXX1, SXQ4, SXQ5, SZSK, VEP5, VMQ3, VMT, VMT2, VMT3, VPX5, VPXP, VPXP/A, VS15, VS3, VS4, VS5, VS6, VSB3, VSB4, VSB5, VSD5, VSEP, VSP, VSP/A, VTE5, VWCS, VWE5, VWT5, VX, VX8, VXB5, VXE, VXE8, VXEH, VXH, VXK, VXK2, VXU1, VZKK, VZS5, VZS6, VZX
5	12251-Z1C-801	GASKET, CYLINDER HEAD (THAI LEAKLESS)	1	-	-	-	-	-----	ES2, ES3, LH2, QAPW, QBE1, QBLS, QBS, QHB1, QN, QTD, QTN, SWE2, SWX2, VMQ3, VMT2, VMT3, VS4, VS6, VSB4, VSB5, VSP, VXK2
	12251-ZF6-W00	GASKET, CYLINDER HEAD	1	-	-	-	-	-----	LXE8, LXE9, LXU, PXE8, PXU, QA2, QA26, QAA2, QAA6, QXE8, QXEK, QXK, QXQ4, QXU, SXE8, SXQ4, VX8, VXE8, VXK
	12251-Z1C-801	GASKET, CYLINDER HEAD (THAI LEAKLESS)	1	-	-	-	1337116	-----	1337116 LH, LHB5, LHP1, LP, LT, PX, QH, QHB3, QHB5, QHP1, QMH, QP, QT, QX, QXE, SH, SHE, SN, SWE, SWX, SX, SXC, SXE, VTE5, VX, VXE, VXU1
	12251-Z1C-801	GASKET, CYLINDER HEAD (THAI LEAKLESS)	1	-	-	-	1337117	-----	1337117 LH, LHB5, LHP1, LP, LT, PX, QH, QHB3, QHB5, QHP1, QMH, QP, QT, QX, QXE, SH, SHE, SN, SWE, SWX, SX, SXC, SXE, VTE5, VX, VXE, VXU1



E-2

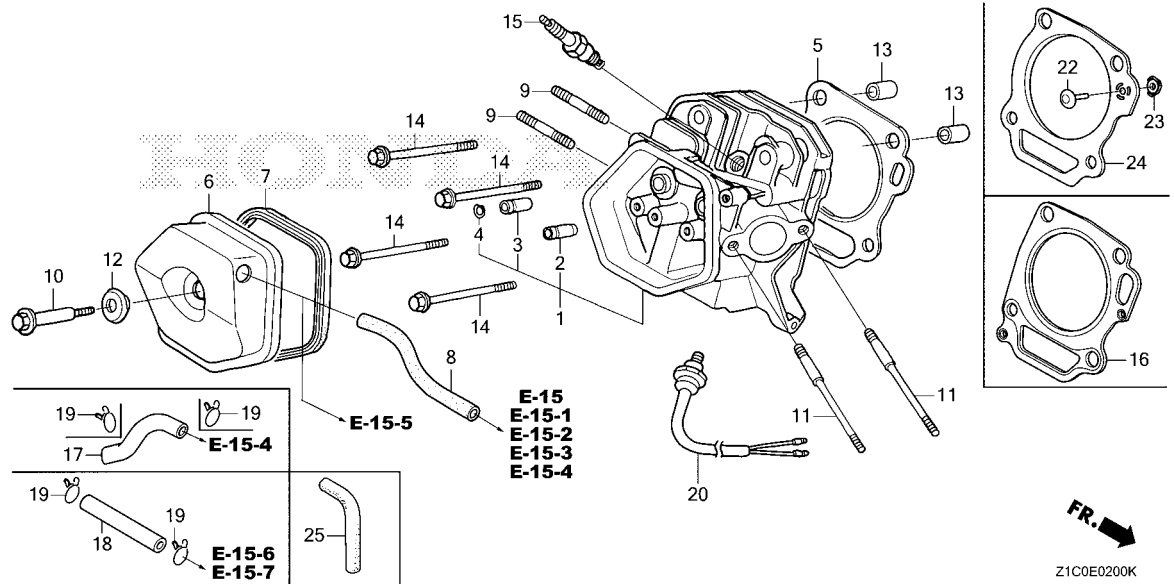
CYLINDER HEAD

Ref. No.	Part No.	Description	Reqd. QTY					Serial No.	Parts catalogue code
			GX 390 T1	GX 390 T2	GX 390 T2X	GX 390 UT2	GX 390 UT2X		
(5)	12251-Z5T-003	GASKET, CYLINDER HEAD (NIPPON LEAKLESS)	-	1	1	1	1	-----	EDS1, EDS5, EDT1, EDT5, ES2, ES5, EWS1, EWS3, EWS4, EWS5, EZD5, EZDS, EZS4, EZS5, LBD, LBH, LBHB, LBHS, LBP, LEAJ, LFU, LH, LH2, LHB5, LHP1, LTK1, LWD, LWD1, LWP1, LXE5, LXE9, LXQ5, PKT5, PX, PXE5, PXU5, QAA5, QAA5, QAPW, QAPW/A, QBD, QBE1, QBE1/A, QBH, QBHS, QBHZ, QBL, QBLS, QBP, QBS, QBS1, QBT, QC1, QC2, QC55, QC95, QCT, QCWE, QH, QHB1, QHB1/A, QHB3, QHB5, QHP1, QHT, QHT1, QHTN, QK45, QKA5, QMAH, QMAH/A, QMH, QN, QNG, QNR5, QP, QPW, QTD, QTE, QTG, QTN, QX, QX5, QXA5, QXB5, QXE, QXE5, QXEK, QXG, QXK, QXQ5, QXU5, QZSD, QZSL, SC15, SC5, SCC, SCM5, SEM, SH, SHMV, SJG, SM11, SME5, SMEJ, SMM, SMT, STCH, SWA5, SWD4, SWDL, SWE2, SWSC, SWX, SWX2, SX, SX5, SXC, SXE5, SXX, SXX1, SXQ5, SZSK, VEP5, VMQ3, VMT, VMT2, VMT3, VPX5, VPXP, VPXP/A, VS15, VS3, VS4, VS5, VS6, VSB3, VSB4, VSD5, VSEP, VSP, VSP/A, VTE5, VWC5, VWE5, VMT5, VX, VXB5, VXE, VXE8, VXG, VXH, VXX, VXU1, VZKK, VZS5, VZS6, VZX
6	12310-Z1C-800	COVER, CYLINDER HEAD.....	1	1	-	-	-	-----	LBD, LBH, LBHB, LBHS, LBP, QBD, QBH, QBHS, QBHZ, QBL, QBLS, QBP, QBS, QBS1, QBT
	12310-ZE2-020	COVER COMP., HEAD.....	1	-	-	1	1	-----	ES2, ES3, LFU, LH, LH2, LHB5, LHP1, LP, LT, LXE8, LXE9, LXU, PX, PXE8, PXU, QA2, QA26, QAA2, QAA6, QAPW, QBE1, QH, QHB1, QHB3, QHB5, QHP1, QMAH, QMAH/A, QMH, QN, QP, QT, QTD, QTN, QX, QXE, QXE8, QXEK, QXK, QXQ4, QXU, SH, SHE, SN, SWE, SWE2, SWX, SWX2, SX, SXC, SXE, SXE8, SXQ4, VMQ3, VMT2, VMT3, VS4, VS6, VSB4, VSB5, VSP, VTE5, VX, VX8, VXE, VXE8, VXX, VXX2, VXU1
	12310-ZE3-791	COVER COMP., HEAD (BREATHER TUBE JOINT)	-	1	-	1	1	-----	LWD, QC1, QC2, QC55, QC95, QCT, QCWE, QHB2, QHB2/A, SC15, SC5, SCC, SCM5, SEM, SMM, STCH
	12310-ZE2-020	COVER COMP., HEAD.....	-	1	-	-	-	-----	EDS1, EDS5, EDT1, EDT5, ES2, ES5, EWS1, EWS3, EWS4, EWS5, EZD5, EZDS, EZS4, EZS5, LEAJ, LTK1, LWD1, LWP1, LXE5, LXQ5, PKT5, PXE5, PXU5, QA25, QAA5, QAPW/A, QBE1/A, QHB1/A, QHT, QHT1, QHTN, QK45, QKA5, QNG, QNR5, QPW, QTE, QTG, QTN, QX5, QXA5, QXB5, QXE5, QXG, QXQ5, QXU5, QZSD, QZSL, SHMV, SJG, SM11, SME5, SMEJ, SMT, SWA5, SWD4, SWDL, SWDL, SWSC, SX5, SXE5, SXX, SXX1, SXQ5, SZSK, VEP5, VMQ3, VMT, VMT2, VMT3, VPX5, VPXP, VPXP/A, VS15, VS3, VS4, VS5, VS6, VSB3, VSB4, VSD5, VSEP, VSP/A, VWC5, VWE5, VMT5, VXB5, VXE8, VXG, VXH, VZKK, VZS5, VZS6
	12310-Z5T-000	COVER, CYLINDER HEAD.....	-	1	-	-	-	1079858	LH, LH2, LHB5, LHP1, LXE9, PX, QAPW, QBE1, QH, QHB1, QHB3, QHB5, QHP1, QMH, QN, QP, QTD, QX, QXE, QXEK, QXK, SH, SWE2, SWX, SWX2, SX, SXC, VSP, VTE5, VX, VXE, VXX, VXU1, VZX
	12310-ZE2-020	COVER COMP., HEAD.....	-	1	-	-	-	1079859	LH, LH2, LHB5, LHP1, LXE9, PX, QAPW, QBE1, QH, QHB1, QHB3, QHB5, QHP1, QMH, QN, QP, QTD, QX, QXE, QXEK, QXK, SH, SWE2, SWX, SWX2, SX, SXC, VSP, VTE5, VX, VXE, VXX, VXU1, VZX
7	12391-ZE2-020	PACKING, HEAD COVER.....	-	-	1	-	-	-----	LP, LWD1
8	15721-ZE3-H00	TUBE, BREATHER.....	1	1	-	-	-	-----	LBH, LBHB, LBHS, LH, LH2, LHB5, LHP1, LT, LXE8, LXE9, LXU, PX, PXE8, PXU, QA2, QA26, QAA2, QAA6, QAPW, QBE1, QBH, QBHS, QBLS, QBS, QH, QHB1, QHB3, QHB5, QHP1, QMH, QN, QP, QT, QTD, QTN, QX, QXE, QXE8, QXEK, QXK, QXQ4, QXU, SH, SHE, SN, SWE, SWE2, SWX, SWX2, SX, SXC, SXE, SXE8, SXQ4, VSP, VTE5, VX, VX8, VXE, VXE8, VXX, VXX2, VXU1
	95005-11105-30	TUBE, 11X105(95005-11001-30M)	1	-	-	-	-	-----	QBL, QBLS, QBP, QBS, QBS1, QBT, QHB1, QHB1/A, QP, QTD, QTN, SWE2, SWSC, SWX, SWX2



E-2

CYLINDER HEAD



Ref. No.	Part No.	Description	Reqd. QTY					Serial No.	Parts catalogue code
			GX 390 T1	GX 390 T2	GX 390 T2X	GX 390 UT2	GX 390 UT2X		
9	92900-08032-0E	BOLT, STUD, 8X32	2	-	2	2	2	-----	ES2, ES3, LFU, LH, LH2, LHB5, LHP1, LT, LXE8, LXE9, LXU, PX, PXE8, PXU QA2, QA26, QAA2, QAA6, QAPW, QBE1, QH, QHB1, QHB3, QHB5, QHP1, QMAH QMAH/A, QMH, QN, QP, QT, QTD, QTN, QX, QXE, QXE8, QXEK, QXK, QXQ4, QXU SCC, SH, SHE, SN, SWE2, SWX, SWX2, SX, SXC, SXE, SXE8, SXQ4, VMQ3 VMT2, VMT3, VS4, VS6, VSB4, VSB5, VSP, VTE5, VX, VX8, VXE, VXE8, VVK VXX2, VXU1
	92900-08050-0B	BOLT, STUD, 8X50	2	-	-	-	-	-----	LBH, LBHB, LBHS, QBH, QBHS, QBL, QBS
	90012-KM9-000	BOLT, STUD, 8X34	2	-	-	-	-	-----	LP
	92900-08032-0E	BOLT, STUD, 8X32	-	2	-	-	-	-----	EDS1, EDS5, EDT1, EDT5, ES2, ES5, EWS1, EWS3, EWS4, EWS5, EZD5, EZDS EZS4, EZS5, LEAJ, LH, LH2, LHB5, LHP1, LTK1, LWD, LWD1, LWP1, LXE5 LXE9, LXQ5, PKT5, PX, PXE5, PXU5, QA25, QAA5, QAPW, QAPW/A, QBE1 QBE1/A, QBL, QBS, QBS1, QC1, QC2, QC55, QC95, QCT, QCWE, QH, QHB1 QHB1/A, QHB2, QHB2/A, QHB3, QHB5, QHP1, QHT, QHT1, QHTN, QK45, QKA5 QMH, QN, QNG, QNR5, QP, QPW, QTD, QTE, QTG, QTN, QX, QX5, QXB5, QXE QXE5, QXEK, QXG, QXK, QXQ5, QXU5, QZSD, QZSL, SC15, SC5, SCM5, SEM SH, SHMV, SJG, SM11, SME5, SMEJ, SMM, SMTP, STCH, SWA5, SWD4, SWDH SWDL, SWE2, SWSC, SWX, SWX2, SX, SX5, SXC, SXE5, SXQ5, SZSK, VMQ3 VMT, VMT2, VMT3, VS15, VS3, VS4, VS5, VS6, VSB3, VSB4, VSD5, VSEP VSP, VSP/A, VTE5, VWT5, VX, VXB5, VXE, VXG, VVK, VXU1, VZKK, VZS5 VZS6, VZX
	90001-Z1C-950	BOLT, STUD, 8X18	-	2	-	-	-	-----	LBD, LBP, QBD, QBL, QBP, QBT
	92900-08050-0B	BOLT, STUD, 8X50	-	2	-	-	-	-----	LBH, LBHS, QBH, QBHS
	92900-08022-0B	BOLT, STUD, 8X22	-	2	-	-	-	-----	LBHB, QBHZ
	90047-ZE3-791	BOLT, STUD, 8X25	-	2	-	-	-	-----	SXK, SXK1, VMC5, VME5
	90018-ZK6-P10	BOLT, STUD, 8X22	-	2	-	-	-	-----	VEP5, VPX5, VPXP, VPXP/A, VXEH, VXH

E-2

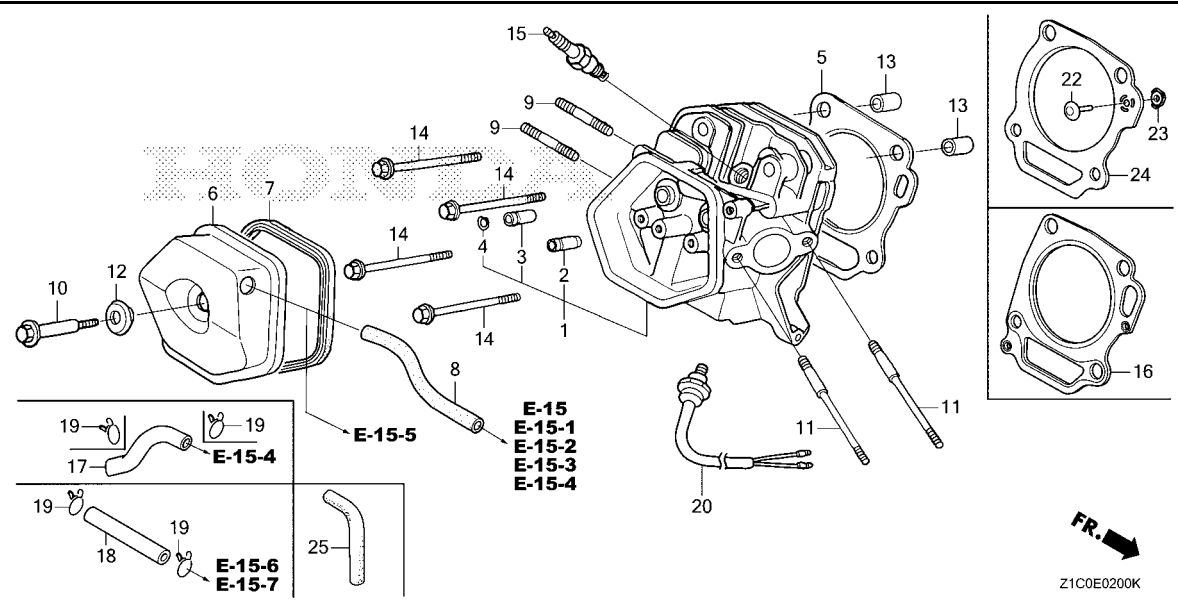
CYLINDER HEAD

Ref. No.	Part No.	Description	Reqd. QTY					Serial No.	Parts catalogue code
			GX 390 T1	GX 390 T2	GX 390 T2X	GX 390 UT2	GX 390 UT2X		
10	90014-ZE2-000	BOLT, HEAD COVER.....	1	-	-	-	-	-----	ES2, ES3, LH, LH2, LHB5, LHP1, LP, LT, LXE8, LXE9, LXU, PX, PXE8, PXU QA2, QA26, QAA2, QAA6, QAPW, QBE1, QH, QHB1, QHB3, QHB5, QHP1, QMH QN, QP, QT, QTD, QTN, QX, QXE, QXE8, QXEK, QXK, QXQ4, QXU, SH, SHE, SN SWE, SWE2, SWX, SWX2, SX, SXC, SXE, SXE8, SXQ4, VMQ3, VMT2, VMT3, VS4 VS6, VSB4, VSB5, VSP, VTE5, VX, VX8, VXE, VXE8, VVK, VVK2, VXU1
	90014-Z1C-800	1	-	-	-	-	-----	LBH, LBHB, LBHS, QBH, QBHS, QBLs, QBS
	90014-Z5T-000	-	1	1	1	1	-----	EDS1, EDS5, EDT1, EDT5, ES2, ES5, EWS1, EWS3, EWS4, EWS5, EZD5, EZDS EZS4, EZS5, LEAJ, LFU, LH, LH2, LHB5, LHP1, LTK1, LWD, LWD1, LWP1 LXE5, LXE9, LXQ5, PKT5, PX, PXE5, PXU5, QA25, QAA5, QAPW, QAPW/A QBE1, QBE1/A, QC1, QC2, QC55, QC95, QCT, QCWE, QH, QHB1, QHB1/A QHB2, QHB2/A, QHB3, QHB5, QHP1, QHT, QHT1, QHTN, QK45, QKA5, QMAH QMAH/A, QMH, QN, QNG, QNR5, QP, QPW, QTD, QTE, QTG, QTN, QX, QX5, QXA5 QXB5, QXE, QXE5, QXEK, QXG, QXK, QXQ5, QXU5, QZSD, QZSL, SC15, SC5 SCC, SCM5, SEM, SH, SHMV, SJG, SM11, SME5, SMEJ, SMM, SMTP, STCH SWA5, SWD4, SWDH, SWDL, SWE2, SWSC, SWX, SWX2, SX, SX5, SXC, SXE5 SXX, SXX1, SXQ5, SZSK, VEP5, VMQ3, VMT, VMT2, VMT3, VPX5, VPXP VPXP/A, VS15, VS3, VS4, VS5, VS6, VSB3, VSB4, VSD5, VSEP, VSP, VSP/A VTE5, VMC5, VWE5, VWT5, VX, VXB5, VXE, VXE8, VXG, VXH, VVK, VXU1 VZKK, VZS5, VZS6, VZX
	90014-Z1C-810	-	1	-	-	-	-----	LBD, LBH, LBHB, LBHS, LBP, QBD, QBH, QBHS, QBHZ, QBL, QBLs, QBP, QBS QBS1, QBT
11	90042-ZE8-000	BOLT, STUD, 8X131.5.....	2	2	2	2	2	-----	LBD, LBH, LBHB, LBHS, LBP, LH, LH2, LHB5, LHP1, LT, LTK1, LWD, LWP1 LXE5, LXE8, LXE9, LXQ5, LXU, PKT5, PX, PXE5, PXE8, PXU, PXU5, QA2 QA25, QA26, QAA2, QAA5, QAA6, QAPW, QAPW/A, QBD, QBE1, QBE1/A, QBH QBHS, QBHZ, QBL, QBLs, QBP, QBS, QBS1, QBT, QC1, QC2, QC55, QC95, QCT QCWE, QH, QHB1, QHB1/A, QHB2, QHB2/A, QHB3, QHB5, QHP1, QHT, QHT1 QHTN, QK45, QKA5, QMAH, QMAH/A, QMH, QN, QNG, QNR5, QP, QPW, QT, QTD QTE, QTG, QTN, QX, QX5, QXA5, QXB5, QXE, QXE5, QXE8, QXEK, QXG, QXK QXQ4, QXQ5, QXU, QXU5, QZSD, SC15, SC5, SCC, SCM5, SEM, SH, SHE, SHMV SJG, SM11, SME5, SMEJ, SMM, SMTP, SN, STCH, SWA5, SWD4, SWE, SWE2 SWSC, SWX, SWX2, SX, SX5, SXC, SXE, SXE5, SXE8, SXX, SXX1, SXQ4, SXQ5 SZSK, VSD5, VSP, VSP/A, VTE5, VMT5, VX, VX8, VXB5, VXE, VXE8, VXG VVK, VVK2, VXU1, VZKK, VZX
	90042-ZE3-700	BOLT, STUD, 8X106.....	2	-	-	-	-	-----	ES2, ES3, LP, VMQ3, VMT2, VMT3, VS4, VS6, VSB4, VSB5
	90042-ZK6-D70	BOLT, STUD, 8X115.....	-	2	-	2	2	-----	EDS1, EDS5, EDT1, EDT5, ES2, ES5, EWS1, EWS3, EWS4, EWS5, EZD5, EZDS EZS4, EZS5, LFU, QZSL, VEP5, VMQ3, VMT, VMT2, VMT3, VPX5, VPXP VPXP/A, VS15, VS3, VS4, VS5, VS6, VSB3, VSB4, VSEP, VMC5, VWE5, VXE8 VXH, VZS5, VZS6
	90043-ZE8-000	BOLT, STUD, 8X134.5.....	-	2	-	-	-	-----	LEAJ, LWD1, SWDH, SWDL
12	90441-ZE2-010	WASHER COMP., HEAD COVER.....	1	1	1	1	1	-----	EDS1, EDS5, EDT1, EDT5, ES2, ES3, ES5, EWS1, EWS3, EWS4, EWS5, EZD5 EZDS, EZS4, EZS5, LEAJ, LFU, LH, LH2, LHB5, LHP1, LP, LT, LTK1, LWD LWD1, LWP1, LXE5, LXE8, LXE9, LXQ5, LXU, PKT5, PX, PXE5, PXE8, PXU PXU5, QA2, QA25, QA26, QAA2, QAA5, QAA6, QAPW, QAPW/A, QBE1, QBE1/A QC1, QC2, QC55, QC95, QCT, QCWE, QH, QHB1, QHB1/A, QHB2, QHB2/A QHB3, QHB5, QHP1, QHT, QHT1, QHTN, QK45, QKA5, QMAH, QMAH/A, QMH, QN, QNG, QNR5, QP, QPW, QT, QTD, QTE, QTG, QTN, QX, QX5, QXA5, QXB5, QXE QXE5, QXE8, QXEK, QXG, QXK, QXQ4, QXQ5, QXU, QXU5, QZSD, QZSL, SC15 SC5, SCC, SCM5, SEM, SH, SHE, SHMV, SJG, SM11, SME5, SMEJ, SMM, SMTP SN, STCH, SWA5, SWD4, SWDH, SWDL, SWE, SWE2, SWSC, SWX, SWX2, SX, SX5 SXC, SXE, SXE5, SXE8, SXX, SXX1, SXQ4, SXQ5, SZSK, VEP5, VMQ3, VMT VMT2, VMT3, VPX5, VPXP, VPXP/A, VS15, VS3, VS4, VS5, VS6, VSB3, VSB4 VSB5, VSD5, VSEP, VSP, VSP/A, VTE5, VMC5, VWE5, VMT5, VX, VX8, VXB5 VXE, VXE8, VXE8, VXG, VXH, VVK, VVK2, VXU1, VZKK, VZS5, VZS6, VZX
	90441-Z1C-800	1	1	-	-	-	-----	LBD, LBH, LBHB, LBHS, LBP, QBD, QBH, QBHS, QBHZ, QBL, QBLs, QBP, QBS QBS1, QBT
13	94301-12200	DOWEL PIN, 12X20.....	2	2	2	2	2		



E-2

CYLINDER HEAD



Ref. No.	Part No.	Description	Reqd. QTY					Serial No.	Parts catalogue code
			GX 390 T1	GX 390 T2	GX 390 T2X	GX 390 UT2	GX 390 UT2X		
14	95701-10080-00	BOLT, FLANGE, 10X80.....	4	4	4	4	4	-----	EDS1, EDS5, EDT1, EDT5, ES2, ES3, ES5, EWS1, EWS3, EWS4, EWS5, EZD5, EZDS, EZS4, EZS5, LEAJ, LFU, LH, LH2, LHB5, LHP1, LP, LT, LTK1, LWD, LWD1, LWP1, LXE5, LXE8, LXE9, LXQ5, LXU, PKT5, PX, PXE5, PXE8, PXU, PXU5, QA2, QA25, QA26, QAA2, QAA5, QAA6, QAPW, QAPW/A, QBE1, QBE1/A, QC1, QC2, QC55, QC95, QCT, QCWE, QH, QHB1, QHB1/A, QHB2, QHB2/A, QHB3, QHB5, QHP1, QHT, QHT1, QHTN, QK45, QKA5, QMAH, QMAH/A, QMH, QN, QNG, QNR5, QP, QPW, QT, QTD, QTE, QTG, QTN, QX, QX5, QXA5, QXB5, QXE, QXE5, QXE8, QXEK, QXG, QXK, QXQ4, QXQ5, QXU, QXU5, QZSD, QZSL, SC15, SC5, SCC, SCM5, SEM, SH, SHE, SHMV, SJG, SM11, SME5, SMEJ, SMM, SMTP, SN, STCH, SWA5, SWD4, SWDH, SWDL, SWE, SWE2, SWSC, SWX, SWX2, SX, SX5, SXC, SXE, SXE5, SXE8, SXX, SXX1, SXQ4, SXQ5, SZSK, VEP5, VMQ3, VMT, VMT2, VMT3, VPX5, VPXP, VPXP/A, VS15, VS3, VS4, VS5, VS6, VSB3, VSB4, VSB5, VSD5, VSEP, VSP, VSP/A, VTE5, VVC5, VVE5, VWT5, VX, VX8, VXB5, VXE, VXE8, VXEH, VXG, VXH, VXX, VXX2, VXU1, VZKK, VZS5, VZS6, VZX
	90102-Z1C-800	4	4	-	-	-	-----	LBH, LBHB, LBHS, QBH, QBH5, QBHZ, QBL5, QBS, QBS1
	90002-Z1C-950	-	4	-	-	-	-----	LBD, LBP, QBD, QBL, QBP, QBT
15	98079-56876	PLUG, SPARK(BPR6ES)(NGK).....	1	1	1	1	1	-----	LEAJ, LFU, LH, LH2, LHB5, LHP1, LXE5, LXE8, LXE9, LXQ5, LXU, PKT5, PX, PXE5, PXE8, PXU, PXU5, QA2, QA25, QA26, QAA2, QAA5, QAA6, QAPW, QAPW/A, QBE1, QBE1/A, QC2, QC55, QC95, QCWE, QH, QHB1, QHB1/A, QHB2, QHB2/A, QHB3, QHB5, QHP1, QK45, QKA5, QMAH, QMAH/A, QMH, QNR5, QP, QPW, QX, QX5, QXA5, QXB5, QXE, QXE5, QXE8, QXEK, QXG, QXK, QXQ4, QXQ5, QXU, QXU5, QZSD, SC15, SC5, SCC, SCM5, SH, SHE, SHMV, SJG, SM11, SME5, SMEJ, SMTP, STCH, SWA5, SWE, SWE2, SWSC, SWX, SWX2, SX, SX5, SXC, SXE, SXE5, SXE8, SXX1, SXQ4, SXQ5, SZSK, VEP5, VPX5, VPXP, VPXP/A, VS15, VSD5, VSEP, VSP, VSP/A, VTE5, VWT5, VX, VX8, VXB5, VXE, VXE8, VXEH, VXG, VXH, VXX, VXX2, VXU1, VZKK, VZX



E-2

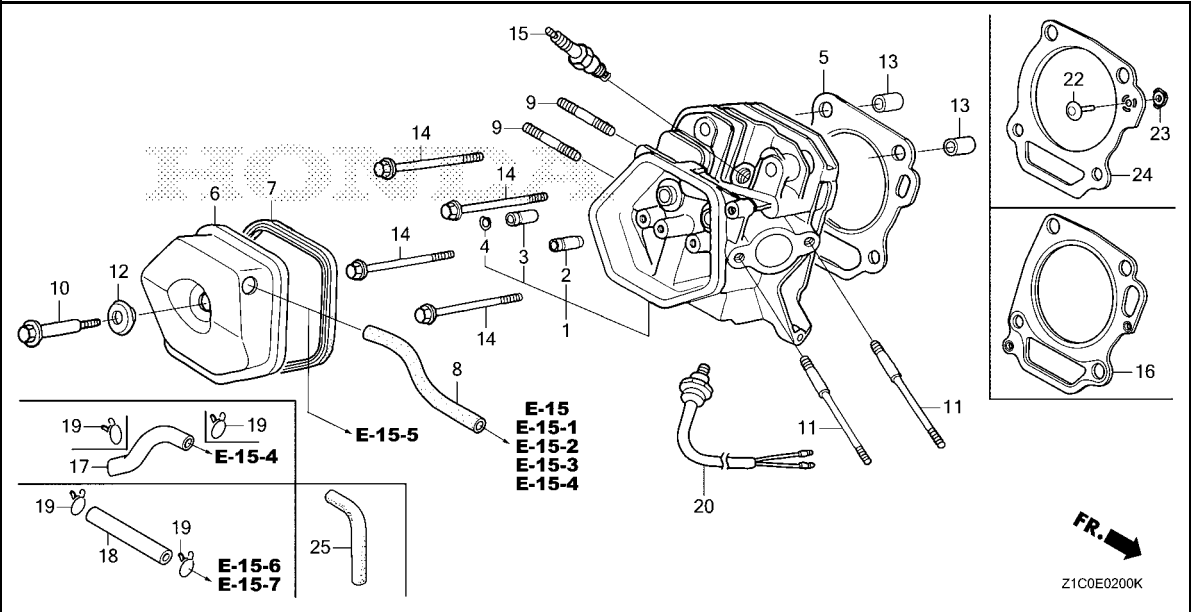
CYLINDER HEAD

Ref. No.	Part No.	Description	Reqd. QTY					Serial No.	Parts catalogue code
			GX 390	GX 390	GX 390	GX 390	GX 390		
			T1	T2	T2X	UT2	UT2X		
15)	98079-55876	PLUG, SPARK(BPR5ES)(NGK).....	(1)	(1)	(1)	(1)	(1)	LEAJ, LFU, LH, LH2, LHB5, LHP1, LXE5, LXE8, LXE9, LXQ5, LXU, PKT5, PX, PXE5, PXE8, PXU, PXU5, QA2, QA25, QA26, QAA2, QAA5, QAA6, QAPW, QAPW/A, QBE1, QBE1/A, QC2, QC55, QC95, QCWE, QH, QHB1, QHB1/A, QHB2, QHB2/A, QHB3, QHB5, QHP1, QK45, QKA5, QMAH, QMAH/A, QMH, QNR5, QP, QPW, QX, QX5, QXA5, QXB5, QXE, QXE5, QXE8, QXEK, QXK, QXQ4, QXQ5, QXU, QXU5, QZSD, SC15, SC5, SCC, SCM5, SEM, SH, SHE, SHMV, SJG, SM11, SME5, SMEJ, SMM, SMTP, SN, STCH, SWA5, SWD4, SWE, SWE2, SWSC, SWX, SWX2, SX, SX5, SXC, SXE, SXE5, SXE8, SXQ4, SXQ5, SZSK, VEP5, VS15, VSEP, VSP, VSP/A, VTE5, VMT5, VX, VX8, VXE, VXE8, VXEH, VXH, VXX, VXX2, VXU1, VZKK, VZX	
			1	1	-	-	-	EDS1, EDS5, EDT1, EDT5, ES2, ES3, ES5, EWS1, EWS3, EWS4, EWS5, EZD5, EZDS, EZS4, EZS5, QZSL, VMQ3, VMT, VMT2, VMT3, VS3, VS4, VS5, VS6, VWC5, VWE5, VZS5, VZS6	
	98079-55855	PLUG, SPARK(W16EPR-U)(DENSO)·	1	1	-	-	-	EDS1, EDT1, ES2, ES3, ES5, EWS1, EWS3, EWS4, EWS5, EZDS, EZS4, EZS5, QZSL, VMQ3, VMT, VMT2, VMT3, VS3, VS4, VS5, VS6, VZS5, VZS6	
	98079-56871	PLUG, SPARK(BP6ES)(NGK).....	1	1	-	-	-	LBD, LBH, LBHB, LBHS, LBP, LP, LT, LTK1, LWD, LWP1, QBD, QBH, QBHS, QBHZ, QBL, QBL5, QBP, QBS, QBS1, QBT, QC1, QCT, QHT, QHT1, QHTN, QN, QNG, QT, QTD, QTE, QTG, QTN, SEM, SMM, SN	
	98079-55841	PLUG, SPARK(BP5ES)(NGK).....	(1)	(1)	-	-	-	LBD, LBH, LBHB, LBHS, LBP, LP, LT, LTK1, LWD, LWP1, QBD, QBH, QBHS, QBHZ, QBL, QBL5, QBP, QBS, QBS1, QBT, QC1, QCT, QHT, QHT1, QHTN, QN, QT, QTD, QTE, QTN	
	98079-55854	PLUG, SPARK(W16EP-U)(DENSO)··	1	1	-	-	-	LWD1, VSB3, VSB4, VSB5	
	98079-55855	PLUG, SPARK(W16EPR-U)(DENSO)·	-	(1)	(1)	(1)	(1)	LWD1, VSB3, VSB4, VSB5	
			-	(1)	(1)	(1)	(1)	LEAJ, LFU, LH, LH2, LHB5, LHP1, LXE5, LXE9, LXQ5, PKT5, PX, PXE5, PXU5, QA25, QAA5, QAPW, QAPW/A, QBE1, QBE1/A, QC2, QC55, QC95, QCWE, QH, QHB1, QHB1/A, QHB2, QHB2/A, QHB3, QHB5, QHP1, QK45, QKA5, QMAH, QMAH/A, QMH, QNR5, QP, QPW, QX, QX5, QXA5, QXB5, QXE, QXE5, QXEK, QXK, QXQ5, QXU5, QZSD, SC15, SC5, SCC, SCM5, SEM, SH, SHMV, SJG, SM11, SME5, SMEJ, SMM, SMTP, STCH, SWA5, SWD4, SWE2, SWSC, SWX, SWX2, SX, SX5, SXC, SXE5, SXQ5, SZSK, VEP5, VS15, VSEP, VSP, VSP/A, VTE5, VMT5, VX, VXE, VXE8, VXEH, VXH, VXX, VXU1, VZKK, VZX	
	98079-55846	PLUG, SPARK(BPR5ES)(NGK).....	-	(1)	(1)	(1)	(1)	LEAJ, LFU, LH, LH2, LHB5, LHP1, LXE5, LXE9, LXQ5, PKT5, PX, PXE5, PXU5, QA25, QAA5, QAPW, QAPW/A, QBE1, QBE1/A, QC2, QC55, QCWE, QH, QHB1, QHB1/A, QHB2, QHB2/A, QHB3, QHB5, QHP1, QK45, QKA5, QMAH, QMAH/A, QMH, QNR5, QP, QX, QX5, QXA5, QXB5, QXE, QXE5, QXEK, QXK, QXQ5, QXU5, QZSD, SC15, SC5, SCC, SEM, SH, SHMV, SME5, SMEJ, SMM, STCH, SWA5, SWD4, SWE2, SWSC, SWX, SWX2, SX, SX5, SXC, SXE5, SXQ5, SZSK, VEP5, VS15, VSEP, VSP, VSP/A, VTE5, VMT5, VX, VXE, VXE8, VXH, VXX, VXU1, VZKK, VZX	
	98079-56854	PLUG, SPARK(W20EP-U)(DENSO)··	-	1	-	-	-	LTK1, LWD, LWP1	
	98079-55854	PLUG, SPARK(W16EP-U)(DENSO)··	-	(1)	-	-	-	LWD, LWP1	
	98079-56855	PLUG, SPARK(W20EPR-U)(DENSO)·	-	1	-	-	-	QC95, QPW, SCM5, SJG, SM11	
	98079-54846	PLUG, SPARK(BPR4ES)(NGK).....	-	1	-	-	-	SWD4, SWDH, SWDL	
	98079-52876	PLUG, SPARK(BPR2ES)(NGK).....	-	1	-	-	-	SXK	
16	12251-Z1C-811	GASKET, CYLINDER HEAD.....	1	-	-	-	-	LBH, LBHB, LBHS, QBH, QBHS	
17	12357-Z5T-020	TUBE, BREATHER.....	-	1	1	1	1	LEAJ, LH, LH2, LHB5, LHP1, LWP1, LXE5, LXE9, LXQ5, PKT5, PX, PXE5, PXU5, QA25, QAA5, QAPW, QAPW/A, QH, QHB3, QHB5, QHP1, QHT, QHT1, QHTN, QK45, QKA5, QMAH, QMAH/A, QMH, QN, QNG, QNR5, QPW, QTE, QTG, QX, QX5, QXA5, QXB5, QXE, QXE5, QXEK, QXG, QXK, QXQ5, QXU5, QZSD, SH, SHMV, SJG, SM11, SME5, SMEJ, SMTP, SWA5, SWD4, SX, SX5, SXC, SXE5, SXK, SXK1, SXQ5, SZSK, VSD5, VSP, VSP/A, VTE5, VMT5, VX, VXB5, VXE, VXG, VXX, VXU1, VZKK, VZX	
	12357-Z1C-R60	-	1	-	-	-	QHB2, QHB2/A	
18	12315-ZE3-840	TUBE, BREATHER.....	-	1	-	1	1	LWD, QC1, QC2, QC55, QC95, QCT, QCWE, SC15, SC5, SCC, SCM5, SEM, SMM, STCH	
19	17316-611-000	CLIP, BREATHER TUBE.....	-	2	-	2	2	LWD, QC1, QC2, QC55, QC95, QCT, QCWE, QHB2, QHB2/A, SC15, SC5, SCC, SCM5, SEM, SMM, STCH	



E-2

CYLINDER HEAD

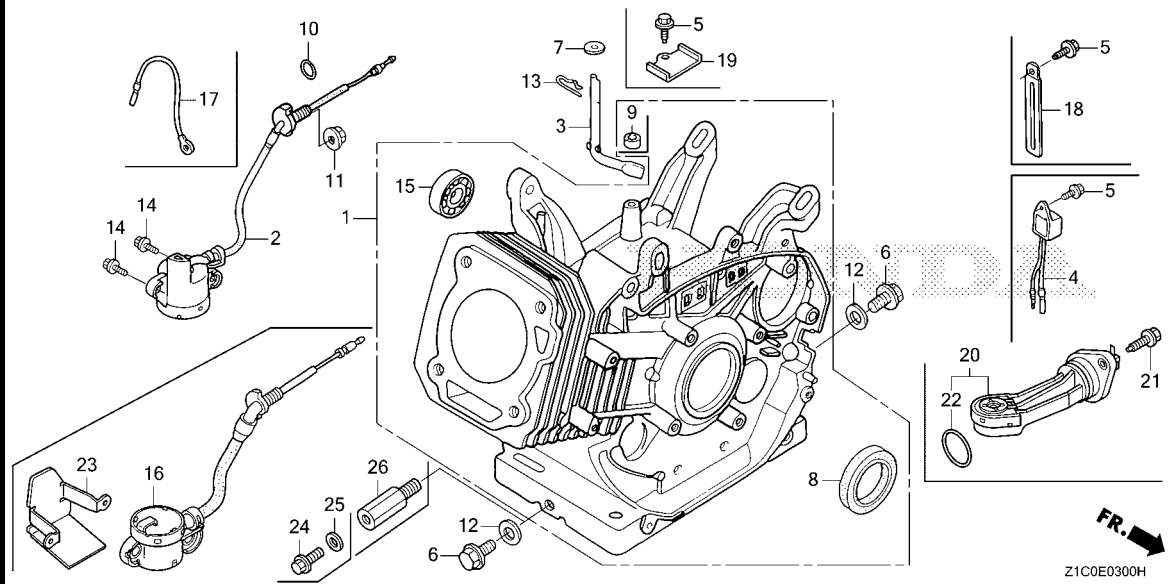


Ref. No.	Part No.	Description	Reqd. QTY					Serial No.	Parts catalogue code
			GX 390 T1	GX 390 T2	GX 390 T2X	GX 390 UT2	GX 390 UT2X		
20	16500-ZE2-703	SWITCH, THERMO	-	1	-	-	-	----- ES5	
22	12372-Z1C-R61	VALVE, UMBRELLA CHECK	-	1	-	-	-	----- QHB2, QHB2/A	
23	12373-Z1C-R60	COLLAR, UMBRELLA VALVE	-	1	-	-	-	----- QHB2, QHB2/A	
24	12251-Z1C-R61	GASKET, CYLINDER HEAD	-	1	-	-	-	----- QHB2, QHB2/A	
25	15721-Z1D-H00	TUBE, BREATHER	-	1	-	-	-	----- SWDH, SWDL	



E-3

CYLINDER BARREL



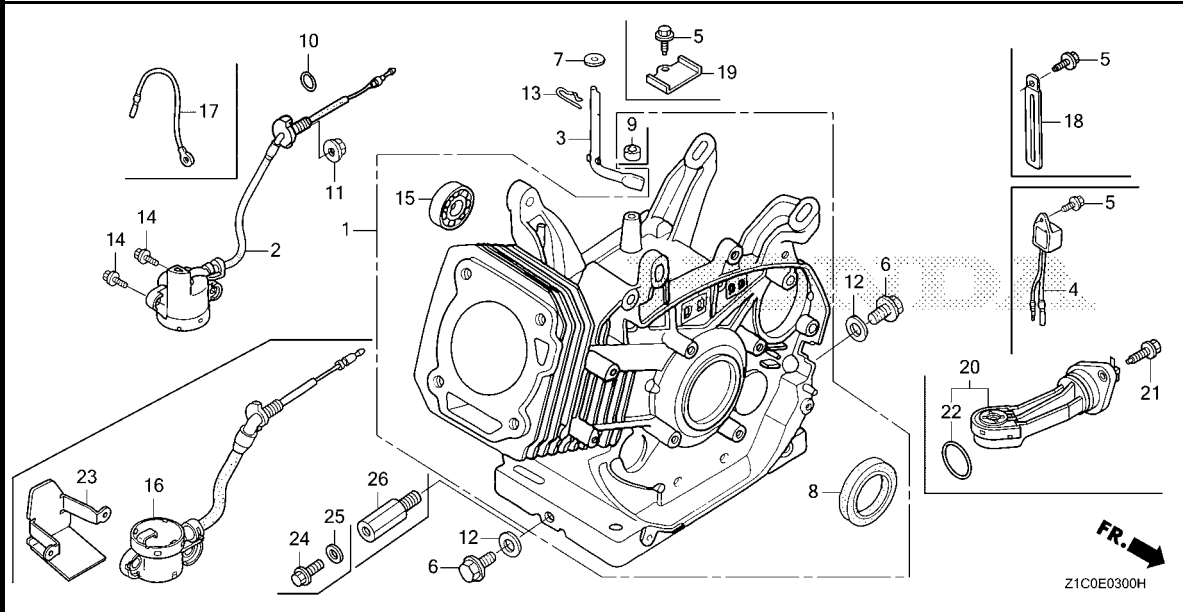
Ref. No.	L.O.N.	(Relative ref. Number) Description	F.R.T.
1	1101A0	BARREL, CYLINDER	1.8
	1101A0G	.iGX type add	0.2
2		(10,16)	
	6151E8	SWITCH, OIL LEVEL	0.5
3	1161B4	SHAFT, GOVERNOR ARM	0.9
	1161B4D	.iGX type add	0.2
4	6151A0	ALERT UNIT, ENGINE OIL	0.1
8	1101E4	OIL SEAL, CRANKSHAFT :FRONT ..	1.2
	1101E4C	.iGX type add	0.2
9	1101C4	OIL SEAL, GOVERNOR ARM SHAFT ..	0.9
	1101C4B	.iGX type add	0.2
15	1101F4	BEARING, BALANCER WEIGHT :FRONT	1.9
	1101F4C	.iGX type add	0.2
17	6111E5	SUB HARNESS, OIL LEVEL SWITCH (22)	0.1
20	6151N6	SWITCH, OIL LEVEL(A)	0.2
		.NOTE: iGX type	

Ref. No.	Part No.	Description	Reqd. QTY					Serial No.	Parts catalogue code
			GX 390 T1	GX 390 T2	GX 390 T2X	GX 390 UT2	GX 390 UT2X		
1	12000-Z1C-407	BARREL ASSY., CYLINDER(ALERT)	1	-	-	-	-	ES2, ES3, LXU, PX, PXU, QA2, QA26, QAA2, QAA6, QAPW, QX, QXK, QXQ4, QXU, SWX, SWX2, SX, SXC, SXQ4, VMQ3, VS4, VSB4, VSP, VX, VX8, VXX2	
	12000-Z1C-305	BARREL ASSY., CYLINDER	1	-	-	-	-	LBH, LBHB, LBHS, QBH, QBHS	
	12000-Z1C-406	1	-	-	-	-	LH, LH2, LHB5, LHP1, LT, QBLS, QBS, QH, QHB1, QHB3, QHB5, QHP1, QMH, QN, QP, QT, QTD, QTN, SH, SN	
	12000-Z1C-409	1	-	-	-	-	LP	
	12000-Z1C-405	BARREL ASSY., CYLINDER (SELFSTARTER+ALERT)	1	-	-	-	-	LXE8, LXE9, PXE8, QXE, QXE8, QXEK, SXE, SXE8, VMT2, VMT3, VS6, VSB5, VTE5, VXE, VXE8, VXX, VXU1	
	12000-Z1C-408	BARREL ASSY., CYLINDER	1	-	-	-	-	QBE1, SHE, SWE, SWE2	
	12000-Z5T-405	BARREL ASSY., CYLINDER (SELFSTARTER+ALERT)	-	1	-	1	-	EDS1, QKA5, QMAH, SMTP, VMT, VMT2, VSB3, VTE5, VXU1	
	12000-Z5T-418	BARREL ASSY., CYLINDER	-	1	-	-	1	LFU, SCC, SWD4	
	12000-Z5T-415	BARREL ASSY., CYLINDER (SELFSTARTER+ALERT)	-	1	-	-	1	QMAH, SEM	
	12000-Z5T-407	BARREL ASSY., CYLINDER(ALERT)	-	1	-	-	-	EDT1, ES2, QAPW, QXG, SWX, SX, SXC, VPXP, VSP, VXG	
	12000-Z5T-Q20	BARREL ASSY., CYLINDER (SELFSTARTER+ALERT)	-	1	-	-	-	EZDS, EZS4, EZS5, VZKK, VZS5, VZX	
	12000-Z5T-416	BARREL ASSY., CYLINDER	-	1	-	-	-	LBD, QBD, QBT	
	12000-Z1C-306	-	1	-	-	-	LBHB	
	12000-Z1C-316	-	1	-	-	-	LBP, QBL, QBP	
	12000-Z5T-406	-	1	-	-	-	LH2, QBLS, QBS, QBS1, QH, QHB1, QHB2, QHB3, QHT, QNG, QTD, QTG, QTN, SM11	
	12000-Z5T-408	-	1	-	-	-	LTK1, LWD, QBE1, SWE2	
	12000-Z1C-Q20	-	1	-	-	-	QPW	
	12000-Z5T-417	BARREL ASSY., CYLINDER(ALERT)	-	1	-	-	-	STCH, SWSC	
	12000-Z5T-406	BARREL ASSY., CYLINDER	-	1	-	-	-	2172201 LBH, LBHS, LH, LHB5, LHP1, QBH, QBHS, QBHZ, QC1, QC2, QCT, QHB1/A, QHB2/A, QHB5, QHP1, QHT1, QHTN, QMH, QN, QP, SH, S3G	
	12000-Z5T-408	-	1	-	-	-	2173043 LWD1, LWP1, QTE, SMEJ, SWDL	



E-3

CYLINDER BARREL



Ref. No.	Part No.	Description	Reqd. QTY					Serial No.	Parts catalogue code
			GX 390 T1	GX 390 T2	GX 390 T2X	GX 390 UT2	GX 390 UT2X		
(1)	12000-Z5T-405	BARREL ASSY., CYLINDER (SELFSTARTER+ALERT)	-	1	-	-	-	2173451	EDS5, ES5, EWS4, EWS5, LEAJ, LXE5, LXE9, PXE5, QNR5, QX5, QXE, QXE5, QXEK, SC15, SC5, SX5, SXE5, VMT3, VS15, VS5, VS6, VSEP, VWE5, VWT5, VXE, VXEH, VXK
	12000-Z5T-407	BARREL ASSY., CYLINDER(ALERT)	-	1	-	-	-	2173463	EDT5, EWS1, EWS3, LXQ5, PKT5, PX, PXU5, QA25, QAA5, QAPW/A, QC55, QC95, QCWE, QK45, QX, QXA5, QXB5, QXK, QXQ5, QXU5, SCM5, SHMV, SME5, SMM, SWA5, SWX2, SXK, SXK1, SXQ5, VEP5, VMQ3, VPX5, VPXP/A, VS3, VS4, VSB4, VSD5, VSP/A, VWC5, VX, VXB5, VXH
	12000-Z5T-408	BARREL ASSY., CYLINDER.....	-	1	-	-	-	2174806	QBE1/A, SWDH
	12000-Z5T-Q20	BARREL ASSY., CYLINDER (SELFSTARTER+ALERT)	-	1	-	-	-	2184135	EZD5, QZSD, QZSL, VZS6
	12000-Z5T-416	BARREL ASSY., CYLINDER.....	-	1	-	-	2172202	2204954	SZSK
	12000-Z5T-418	-	1	-	-	2173044	-----	LBH, LBHS, LH, LHB5, LHP1, QBH, QBHS, QBHZ, QC1, QC2, QCT, QHB1/A, QHB2/A, QHB5, QHP1, QHT1, QHTN, QMH, QN, QP, SH, S.JG
	12000-Z5T-415	BARREL ASSY., CYLINDER (SELFSTARTER+ALERT)	-	1	-	-	2173452	-----	LWD1, LWP1, QTE, SMEJ, SWDL
	12000-Z5T-417	BARREL ASSY., CYLINDER(ALERT)	-	1	-	-	2173464	-----	EDS5, ES5, EWS4, EWS5, LEAJ, LXE5, LXE9, PXE5, QNR5, QX5, QXE, QXE5, QXEK, SC15, SC5, SX5, SXE5, VMT3, VS15, VS5, VS6, VSEP, VWE5, VWT5, VXE, VXEH, VXK
	12000-Z5T-418	BARREL ASSY., CYLINDER.....	-	1	-	-	2174807	-----	EDT5, EWS1, EWS3, LXQ5, PKT5, PX, PXU5, QA25, QAA5, QAPW/A, QC55, QC95, QCWE, QK45, QX, QXA5, QXB5, QXK, QXQ5, QXU5, SCM5, SHMV, SME5, SMM, SWA5, SWX2, SXK, SXK1, SXQ5, VEP5, VMQ3, VPX5, VPXP/A, VS3, VS4, VSB4, VSD5, VSP/A, VWC5, VX, VXB5, VXH
	12000-Z5T-Q21	BARREL ASSY., CYLINDER (SELFSTARTER+ALERT)	-	1	-	-	2184136	-----	QBE1/A, SWDH
			-	1	-	-	2204955	-----	EZD5, QZSD, QZSL, VZS6
	12000-Z5T-417	BARREL ASSY., CYLINDER(ALERT)	-	-	1	-	-	-----	SZSK

2

E-3

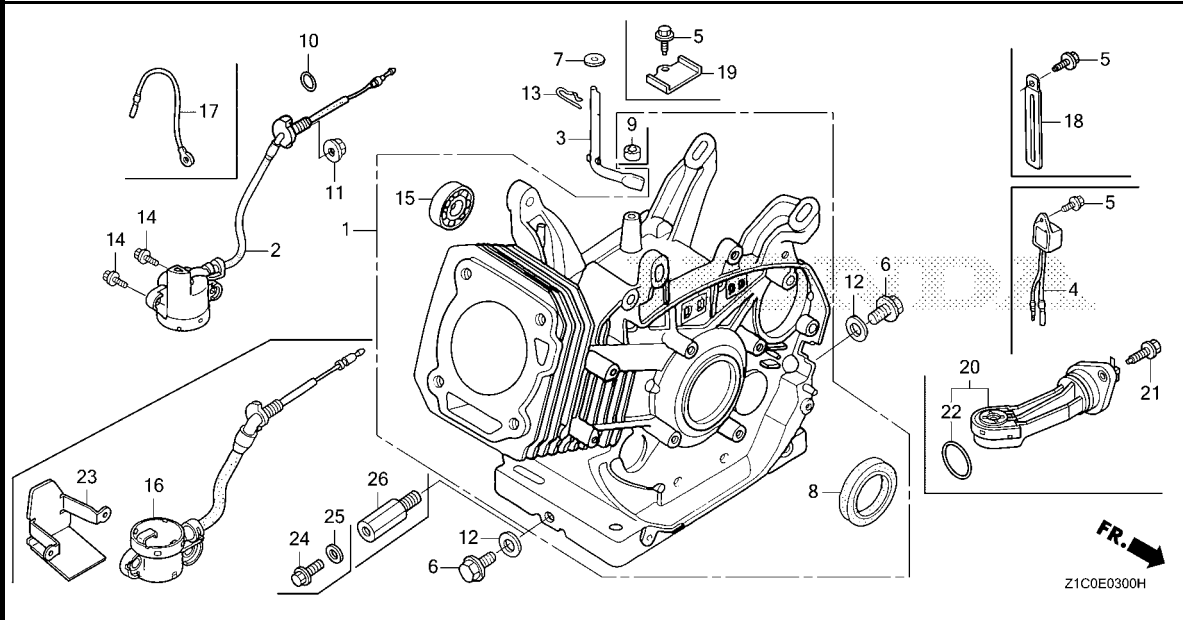
CYLINDER BARREL

Ref. No.	Part No.	Description	Reqd. QTY					Serial No.	Parts catalogue code
			GX 390 T1	GX 390 T2	GX 390 T2X	GX 390 UT2	GX 390 UT2X		
(1)	12000-Z5T-405	BARREL ASSY., CYLINDER (SELFSTARTER+ALERT)	-	-	-	1	-	3358242 QMAH/A	
	12000-Z5T-408	BARREL ASSY., CYLINDER	-	-	-	1	-	3376768 LFU,SCC	
	12000-Z5T-415	BARREL ASSY., CYLINDER (SELFSTARTER+ALERT)	-	-	-	1	-	3358243 QMAH/A	
	12000-Z5T-418	BARREL ASSY., CYLINDER	-	-	-	1	-	3376769 LFU,SCC	
2	15510-ZE2-043	SWITCH ASSY., OIL LEVEL	1	-	-	-	-	LXE8, LXU, PXE8, PXU, QA2, QA26, QAA2, QAA6, QXE8, QXQ4, QXU, SXE8 SXQ4, VX8, VXE8	
	15510-ZE2-053	1	-	-	-	-	VMT2, VMT3	
	15510-ZE2-043	1	-	-	-	-	1337116 PX, QX, QXE, SWX, SX, SXC, SXE, VTE5, VX, VXE, VXU1	
	15510-ZE2-053	1	-	-	-	-	1340607 LXE9, QXEK, QXK, VXK	
3	16541-ZE3-010	SHAFT, GOVERNOR ARM	1	-	1	1	1	SXX, SXX1	
			-	1	-	-	-	ES2, ES3, LFU, LH, LH2, LHB5, LHP1, LT, LXE8, LXE9, LXU, PX, PXE8, PXU QA2, QA26, QAA2, QAA6, QAPW, QBE1, QBL5, QBS, QH, QHB1, QHB3, QHB5 QHP1, QMAH, QMAH/A, QMH, QN, QP, QT, QTD, QTN, QX, QXE, QXE8, QXEK QXK, QXQ4, QXU, SCC, SH, SHE, SN, SWE, SWE2, SWX, SWX2, SX, SXC, SXE SXE8, SXQ4, VMQ3, VMT2, VMT3, VS4, VS6, VSB4, VSB5, VSP, VTE5, VX VX8, VXE, VXE8, VXK, VXK2, VXU1	
			-	1	-	-	-	EDS1, EDS5, EDT1, EDT5, ES2, ES5, EWS1, EWS3, EWS4, EWS5, LBD, LBH LBHS, LEAJ, LH, LH2, LHB5, LHP1, LTK1, LWD, LWD1, LWP1, LXE5, LXE9 LXQ5, PKT5, PX, PXE5, PXU5, QA25, QAA5, QAPW, QAPW/A, QBD, QBE1 QBE1/A, QBH, QBHS, QBHZ, QBL5, QBS, QBS1, QBT, QC1, QC2, QC55, QC95 QCT, QCWE, QH, QHB1, QHB1/A, QHB2, QHB2/A, QHB3, QHB5, QHP1, QHT QHT1, QHTN, QK45, QKA5, QMH, QN, QNG, QNR5, QP, QPW, QTD, QTE, QTG QTN, QX, QX5, QXA5, QXB5, QXE, QXE5, QXEK, QXG, QXK, QXQ5, QXU5, SC15 SC5, SCM5, SEM, SH, SHMV, SJG, SM11, SME5, SMEJ, SMM, SMTP, STCH SWA5, SWD4, SWDH, SWDL, SWE2, SWSC, SWX, SWX2, SX, SX5, SXC, SXE5 SXX, SXX1, SXQ5, VEP5, VMQ3, VMT, VMT2, VMT3, VPX5, VPXP, VPXP/A VS15, VS3, VS4, VS5, VS6, VSB3, VSB4, VSD5, VSEP, VSP, VSP/A, VTE5 VMC5, VME5, VMT5, VX, VXB5, VXE, VXE8, VXG, VXH, VXK, VXU1	
4	34150-ZH7-023	ALERT UNIT, OIL	1	-	-	-	-	ES2, ES3, PX, QBL5, QBS, QX, QXK, SWX, SWX2, SX, SXC, VMQ3, VS4, VS6 VSB4, VSB5, VSP, VX, VXK2	
	34150-ZH7-003	1	-	-	-	-	LXU, PXU, QA2, QA26, QAA2, QAA6, QXQ4, QXU, SXQ4, VX8	
	34150-ZH7-013	1	-	-	-	-	QAPW	
5	90013-883-000	BOLT, FLANGE, 6X12(CT200)	1	-	-	-	-	ES2, ES3, LXU, PX, PXU, QA2, QA26, QAA2, QAA6, QAPW, QX, QXK, QXQ4 QXU, SWX, SWX2, SX, SXC, SXQ4, VMQ3, VS4, VSB4, VSP, VX, VX8, VXK2	
	90013-Z0T-810	1	-	-	-	-	QBL5, QBS	
	90013-883-000	2	-	-	-	-	VS6, VSB5	
			-	1	-	-	-	ES5, EWS4, EWS5, EZD5, EZDS, EZS4, EZS5, QZSD, QZSL, SZSK, VS5, VS6 VSB3, VZKK, VZS5, VZS6, VZX	
6	90131-883-000	BOLT, DRAIN PLUG, 12X15	2	-	2	2	2	EDS1, EDS5, EDT1, EDT5, ES2, ES5, EWS1, EWS3, EWS4, EWS5, EZD5, EZDS EZS4, EZS5, LBD, LBH, LBHB, LBHS, LBP, LEAJ, LH, LH2, LHB5, LHP1 LTK1, LWD, LWD1, LWP1, LXE5, LXE9, LXQ5, PKT5, PX, PXE5, PXU5, QA25 QAA5, QAPW, QAPW/A, QBD, QBE1, QBE1/A, QBH, QBHS, QBHZ, QBL, QBL5 QBP, QBS, QBS1, QBT, QC1, QC2, QC55, QC95, QCT, QCWE, QH, QHB1 QHB1/A, QHB2, QHB2/A, QHB3, QHB5, QHP1, QHT, QHT1, QHTN, QK45, QKA5 QMH, QN, QNG, QNR5, QP, QTD, QTE, QTG, QTN, QX, QX5, QXA5, QXB5, QXE QXE5, QXEK, QXG, QXK, QXQ5, QXU5, QZSD, QZSL, SC15, SC5, SCM5, SEM SH, SHMV, SJG, SM11, SME5, SMEJ, SMM, SMTP, STCH, SWA5, SWE2, SWSC SWX, SWX2, SX, SX5, SXC, SXE5, SXX, SXX1, SXQ5, SZSK, VEP5, VMQ3, VMT VMT2, VMT3, VPX5, VPXP, VPXP/A, VS15, VS3, VS4, VS5, VS6, VSB3, VSB4 VSD5, VSEP, VSP, VSP/A, VTE5, VMC5, VME5, VMT5, VX, VXB5, VXE, VXE8 VXG, VXH, VXK, VXU1, VZKK, VZS5, VZS6, VZX	
			-	1	-	-	-	SWD4, SWDH, SWDL	



E-3

CYLINDER BARREL



Ref. No.	Part No.	Description	Reqd. QTY					Serial No.	Parts catalogue code
			GX 390 T1	GX 390 T2	GX 390 T2X	GX 390 UT2	GX 390 UT2X		
7	90446-KE1-000	WASHER, 8.2X17X0.8	1	-	1	1	1	-----	ES2, ES3, LFU, LH, LH2, LHB5, LHP1, LT, LXE8, LXE9, LXU, PX, PXE8, PXU QA2, QA26, QAA2, QAA6, QAPW, QBE1, QBL5, QBS, QH, QHB1, QHB3, QHB5 QHP1, QMAH, QMAH/A, QMH, QN, QP, QT, QTD, QTN, QX, QXE, QXE8, QXEK QXK, QXQ4, QXU, SCC, SH, SHE, SN, SWE, SWE2, SWX, SWX2, SX, SXC, SXE SXE8, SXQ4, VMQ3, VMT2, VMT3, VS4, VS6, VSB4, VSB5, VSP, VTE5, VX VX8, VXE, VXE8, VXX, VXX2, VXU1
			-	1	-	-	-	-----	EDS1, EDS5, EDT1, EDT5, ES2, ES5, EWS1, EWS3, EWS4, EWS5, LBD, LBH LBHS, LEAJ, LH, LH2, LHB5, LHP1, LTK1, LWD, LWD1, LWP1, LXE5, LXE9 LXQ5, PKT5, PX, PXE5, PXU5, QA25, QAA5, QAPW, QAPW/A, QBD, QBE1 QBE1/A, QBH, QBHS, QBHZ, QBL5, QBS, QBS1, QBT, QC1, QC2, QC55, QC95 QCT, QCWE, QH, QHB1, QHB1/A, QHB2, QHB2/A, QHB3, QHB5, QHP1, QHT QHT1, QHTN, QK45, QKA5, QMH, QN, QNG, QNR5, QP, QPW, QTD, QTE, QTG QTN, QX, QX5, QXA5, QXB5, QXE, QXE5, QXEK, QXG, QXK, QXQ5, QXU5, SC15 SC5, SCM5, SEM, SH, SHMV, SJG, SM11, SME5, SMEJ, SMM, SMTF, STCH SWA5, SWD4, SWDH, SWDL, SWE2, SWSC, SWX, SWX2, SX, SX5, SXC, SXE5 SXX, SXX1, SXQ5, VEP5, VMQ3, VMT, VMT2, VMT3, VPX5, VPXP, VPXP/A VS15, VS3, VS4, VS5, VS6, VSB3, VSB4, VSD5, VSEP, VSP, VSP/A, VTE5 VWC5, VWE5, VWT5, VX, VXB5, VXE, VXE8, VXG, VXH, VXX, VXU1
8	91201-Z1C-003	OIL SEAL, 35X52X8(NOK)	1	1	1	1	1	-----	EDS5, EDT5, ES5, EWS1, EWS3, EWS4, EWS5, LBD, LBH, LBHS, LEAJ, LFU LH, LHB5, LHP1, LWD1, LWP1, LXE5, LXE9, LXQ5, PKT5, PX, PXE5, PXU5 QA25, QAA5, QAPW, QAPW/A, QBD, QBE1, QBE1/A, QBH, QBHS, QBHZ, QBT QC1, QC2, QC55, QC95, QCT, QCWE, QHB1, QHB1/A, QHB2, QHB2/A, QHB5 QHP1, QHT1, QHTN, QK45, QMAH, QMAH/A, QMH, QN, QNR5, QP, QTE, QTG, QX QX5, QXA5, QXB5, QXE, QXE5, QXEK, QXG, QXK, QXQ5, QXU5, SC15, SC5 SCC, SCM5, SEM, SH, SHMV, SJG, SME5, SMEJ, SMM, STCH, SWA5, SWD4 SWDH, SWDL, SWSC, SWX2, SX5, SXE5, SXX, SXX1, SXQ5, VEP5, VMQ3, VMT3 VPX5, VPXP, VPXP/A, VS15, VS3, VS4, VS5, VS6, VSB4, VSD5, VSEP, VSP VSP/A, VWC5, VWE5, VWT5, VX, VXB5, VXE, VXE8, VXG, VXH, VXX
	91201-Z7E-003	OIL SEAL, 35X52X8	-	1	1	1	1	-----	

E-3

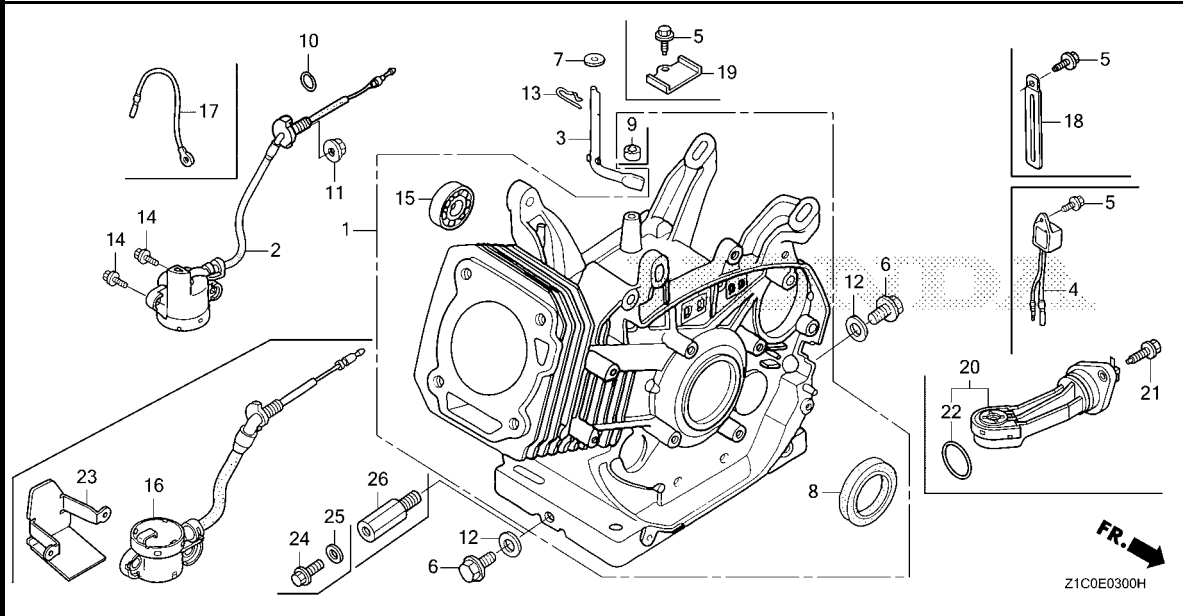
CYLINDER BARREL

Ref. No.	Part No.	Description	Reqd. QTY					Serial No.	Parts catalogue code	
			GX 390 T1	GX 390 T2	GX 390 T2X	GX 390 UT2	GX 390 UT2X			
9	91203-952-771	OIL SEAL, 8X14X5.....	1	-	1	1	1	-----	-----	ES2, ES3, LFU, LH, LH2, LHB5, LHP1, LT, LXE8, LXE9, LXU, PX, PXE8, PXU QA2, QA26, QAA2, QAA6, QAPW, QBE1, QBL5, QBS, QH, QHB1, QHB3, QHB5 QHP1, QMAH, QMAH/A, QMH, QN, QP, QT, QTD, QTN, QX, QXE, QXE8, QXEK QXK, QXQ4, QXU, SCC, SH, SHE, SN, SWE, SWE2, SWX, SWX2, SX, SXC, SXE SXE8, SXQ4, VMQ3, VMT2, VMT3, VS4, VS6, VSB4, VSB5, VSP, VTE5, VX VX8, VXE, VXE8, VXX, VXX2, VXU1
	91203-Z7E-003	-	1	1	1	1	-----	-----	EDS5, EDT5, ES5, EWS1, EWS3, EWS4, EWS5, LBD, LBH, LBHS, LEAJ, LFU LH, LHB5, LHP1, LWD1, LWP1, LXE5, LXE9, LXQ5, PKT5, PX, PXE5, PXU5 QA25, QAA5, QAPW, QAPW/A, QBD, QBE1, QBE1/A, QBH, QBHS, QBHZ, QBT QC1, QC2, QC55, QC95, QCT, QCWE, QHB1, QHB1/A, QHB2, QHB2/A, QHB5 QHP1, QHT1, QHTN, QK45, QMAH, QMAH/A, QMH, QN, QNR5, QP, QTE, QTG, QX QX5, QXA5, QXB5, QXE, QXE5, QXEK, QXG, QXK, QXQ5, QXU5, SC15, SC5 SCC, SCM5, SEM, SH, SHMV, SJG, SME5, SMEJ, SMM, STCH, SWA5, SWD4 SWDH, SWDL, SWSC, SWX2, SX5, SXE5, SXK, SXK1, SXQ5, VEP5, VMQ3, VMT3 VPX5, VPXP, VPXP/A, VS15, VS3, VS4, VS5, VS6, VSB4, VSD5, VSEP, VSP VSP/A, VWC5, VWE5, VWT5, VX, VXB5, VXE, VXE8, VXG, VXH, VXX
	91203-952-771	-	1	-	-	-	-----	-----	EDS1, EDS5, EDT1, EDT5, ES2, ES5, EWS1, EWS3, EWS4, EWS5, LBD, LBH LBHS, LEAJ, LH, LH2, LHB5, LHP1, LTK1, LWD, LWD1, LWP1, LXE5, LXE9 LXQ5, PKT5, PX, PXE5, PXU5, QA25, QAA5, QAPW, QAPW/A, QBD, QBE1 QBE1/A, QBH, QBHS, QBHZ, QBL5, QBS, QBS1, QBT, QC1, QC2, QC55, QC95 QCT, QCWE, QH, QHB1, QHB1/A, QHB2, QHB2/A, QHB3, QHB5, QHP1, QHT QHT1, QHTN, QK45, QKA5, QMH, QN, QNG, QNR5, QP, QPW, QTD, QTE, QTG QTN, QX, QX5, QXA5, QXB5, QXE, QXE5, QXEK, QXG, QXK, QXQ5, QXU5, SC15 SC5, SCM5, SEM, SH, SHMV, SJG, SM11, SME5, SMEJ, SMM, SMTP, STCH SWA5, SWD4, SWDH, SWDL, SWE2, SWSC, SWX, SWX2, SX, SX5, SXC, SXE5 SXK, SXK1, SXQ4, SXQ5, VEP5, VMQ3, VMT, VMT2, VMT3, VPX5, VPXP, VPXP/A VS15, VS3, VS4, VS5, VS6, VSB3, VSB4, VSD5, VSEP, VSP, VSP/A, VTE5 VWC5, VWE5, VWT5, VX, VXB5, VXE, VXE8, VXG, VXH, VXX, VXU1
10	91353-671-004	O-RING, 14MM(NOK).....	1	1	1	1	1	-----	-----	EDS1, EDS5, EDT1, EDT5, ES2, ES3, ES5, EWS1, EWS3, EWS4, EWS5, LEAJ LXE5, LXE8, LXE9, LXQ5, LXU, PKT5, PX, PXE5, PXE8, PXU, PXU5, QA2 QA25, QA26, QAA2, QAA5, QAA6, QAPW, QAPW/A, QC55, QC95, QCWE, QK45 QKA5, QMAH, QMAH/A, QNR5, QPW, QX, QX5, QXA5, QXB5, QXE, QXE5, QXE8 QXEK, QXG, QXK, QXQ4, QXQ5, QXU, QXU5, SC15, SC5, SCM5, SEM, SME5 SMM, SMTP, STCH, SWA5, SWSC, SWX, SWX2, SX, SX5, SXC, SXE, SXE5, SXE8 SXK, SXK1, SXQ4, SXQ5, VEP5, VMQ3, VMT, VMT2, VMT3, VPX5, VPXP VPXP/A, VS15, VS3, VS4, VS5, VS6, VSB3, VSB4, VSB5, VSD5, VSEP, VSP VSP/A, VTE5, VWC5, VWE5, VWT5, VX, VX8, VXB5, VXE, VXE8, VXE8, VXG VXH, VXX, VXX2, VXU1
11	94050-10000	NUT, FLANGE, 10MM.....	1	1	1	1	1	-----	-----	EDS1, EDS5, EDT1, EDT5, ES2, ES3, ES5, EWS1, EWS3, EWS4, EWS5, LEAJ LXE5, LXE8, LXE9, LXQ5, LXU, PKT5, PX, PXE5, PXE8, PXU, PXU5, QA2 QA25, QA26, QAA2, QAA5, QAA6, QAPW, QAPW/A, QC55, QC95, QCWE, QK45 QKA5, QMAH, QMAH/A, QNR5, QPW, QX, QX5, QXA5, QXB5, QXE, QXE5, QXE8 QXEK, QXG, QXK, QXQ4, QXQ5, QXU, QXU5, SC15, SC5, SCM5, SEM, SME5 SMM, SMTP, STCH, SWA5, SWSC, SWX, SWX2, SX, SX5, SXC, SXE, SXE5, SXE8 SXK, SXK1, SXQ4, SXQ5, VEP5, VMQ3, VMT, VMT2, VMT3, VPX5, VPXP VPXP/A, VS15, VS3, VS4, VS5, VS6, VSB3, VSB4, VSB5, VSD5, VSEP, VSP VSP/A, VTE5, VWC5, VWE5, VWT5, VX, VX8, VXB5, VXE, VXE8, VXE8, VXG VXH, VXX, VXX2, VXU1



E-3

CYLINDER BARREL



Ref. No.	Part No.	Description	Reqd. QTY					Serial No.	Parts catalogue code
			GX 390 T1	GX 390 T2	GX 390 T2X	GX 390 UT2	GX 390 UT2X		
12	94109-12000	WASHER, DRAIN PLUG, 12MM.....	2	2	2	2	2	-----	EDS1, EDS5, EDT1, EDT5, ES2, ES3, ES5, EWS1, EWS3, EWS4, EWS5, EZD5, EZDS, EZS4, EZS5, LBD, LBH, LBHB, LBHS, LBP, LEAJ, LFU, LH, LH2, LHB5, LHP1, LP, LT, LTK1, LWD, LWD1, LWP1, LXE5, LXE8, LXE9, LXQ5, LXU, PKT5, PX, PXE5, PXE8, PXU, PXU5, QA2, QA25, QA26, QAA2, QAA5, QAA6, QAPW, QAPW/A, QBD, QBE1, QBE1/A, QBH, QBHS, QBHZ, QBL, QBL5, QBP, QBS, QBS1, QBT, QC1, QC2, QC55, QC95, QCT, QCWE, QH, QHB1, QHB1/A, QHB2, QHB2/A, QHB3, QHB5, QHP1, QHT, QHT1, QHTN, QK45, QKA5, QMAH, QMAH/A, QMH, QN, QNG, QNR5, QP, QT, QTD, QTE, QTG, QTN, QX, QX5, QXA5, QXB5, QXE, QXE5, QXE8, QXEK, QXG, QXK, QXQ4, QXQ5, QXU, QXU5, QZSD, QZSL, SC15, SC5, SCC, SCM5, SEM, SH, SHE, SHMV, SJG, SM11, SME5, SMEJ, SMM, SMTP, SN, STCH, SWA5, SWD4, SWDH, SWDL, SWE, SWE2, SWSC, SWX, SWX2, SX, SX5, SXC, SXE, SXE5, SXE8, SXX, SXX1, SXQ4, SXQ5, SZSK, VEP5, VMQ3, VMT, VMT2, VMT3, VPX5, VPXP, VPXP/A, VS15, VS3, VS4, VS5, VS6, VSB3, VSB4, VSB5, VSD5, VSEP, VSP, VSP/A, VTE5, VWC5, VWE5, VWT5, VX, VX8, VXB5, VXE, VXE8, VXE8, VXG, VXH, VXX, VXX2, VXU1, VZKK, VZS5, VZS6, VZX



E-3

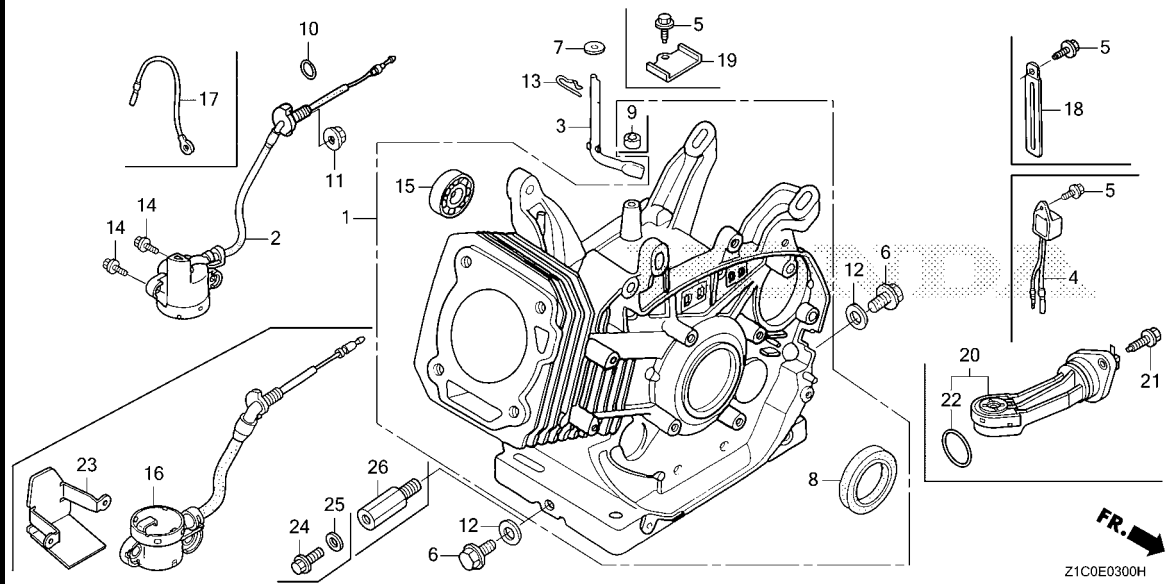
CYLINDER BARREL

Ref. No.	Part No.	Description	Reqd. QTY					Serial No.	Parts catalogue code	
			GX 390 T1	GX 390 T2	GX 390 T2X	GX 390 UT2	GX 390 UT2X			
13	94251-10000	PIN, LOCK, 10MM.....	1	-	1	1	1	-----	-----	ES2, ES3, LFU, LH, LH2, LHB5, LHP1, LT, LXE8, LXE9, LXU, PX, PXE8, PXU QA2, QA26, QAA2, QAA6, QAPW, QBE1, QBL5, QBS, QH, QHB1, QHB3, QHB5 QHP1, QMAH, QMAH/A, QMH, QN, QP, QT, QTD, QTN, QX, QXE, QXE8, QXEK QXK, QXQ4, QXU, SCC, SH, SHE, SN, SWE, SWE2, SWX, SWX2, SX, SXC, SXE SXE8, SXQ4, VMQ3, VMT2, VMT3, VS4, VS6, VSB4, VSB5, VSP, VTE5, VX VX8, VXE, VXE8, VXX, VXX2, VXU1
			-	1	-	-	-	-----	-----	EDS1, EDS5, EDT1, EDT5, ES2, ES5, EWS1, EWS3, EWS4, EWS5, LBD, LBH LBHS, LEAJ, LH, LH2, LHB5, LHP1, LTK1, LWD, LWD1, LWP1, LXE5, LXE9 LXQ5, PKT5, PX, PXE5, PXU5, QA25, QAA5, QAPW, QAPW/A, QBD, QBE1 QBE1/A, QBH, QBHS, QBHZ, QBL5, QBS, QBS1, QBT, QC1, QC2, QC55, QC95 QCT, QCWE, QH, QHB1, QHB1/A, QHB2, QHB2/A, QHB3, QHB5, QHP1, QHT QHT1, QHTN, QK45, QKA5, QMH, QN, QNG, QNR5, QP, QPW, QTD, QTE, QTG QTN, QX, QX5, QXA5, QXB5, QXE, QXE5, QXEK, QXG, QXK, QXQ5, QXU5, SC15 SC5, SCM5, SEM, SH, SHMV, SJG, SM11, SME5, SMEJ, SMM, SMTP, STCH SWA5, SWD4, SWDH, SWDL, SWE2, SWSC, SWX, SWX2, SX, SX5, SXC, SXE5 SXX, SXX1, SXQ5, VEP5, VMQ3, VMT, VMT2, VMT3, VPX5, VPXP, VPXP/A VS15, VS3, VS4, VS5, VS6, VSB3, VSB4, VSD5, VSEP, VSP, VSP/A, VTE5 VWC5, VWE5, VWT5, VX, VXB5, VXE, VXE8, VXG, VXH, VXX, VXU1
14	95701-06012-00	BOLT, FLANGE, 6X12.....	2	2	2	2	2	-----	-----	EDS1, EDS5, EDT1, EDT5, ES2, ES3, ES5, EWS1, EWS3, EWS4, EWS5, LEAJ LXE5, LXE8, LXE9, LXQ5, LXU, PKT5, PX, PXE5, PXE8, PXU, PXU5, QA2 QA25, QA26, QAA2, QAA5, QAA6, QAPW, QAPW/A, QC55, QC95, QCWE, QK45 QKA5, QMAH, QMAH/A, QNR5, QPW, QX, QX5, QXA5, QXB5, QXE, QXE5, QXE8 QXEK, QXG, QXK, QXQ4, QXQ5, QXU, QXU5, SC15, SC5, SCM5, SEM, SME5 SMM, SMTP, STCH, SWA5, SWSC, SWX, SWX2, SX, SX5, SXC, SXE, SXE5, SXE8 SXX, SXX1, SXQ4, SXQ5, VEP5, VMQ3, VMT, VMT2, VMT3, VPX5, VPXP VPXP/A, VS15, VS3, VS4, VS5, VS6, VSB3, VSB4, VSB5, VSD5, VSEP, VSP VSP/A, VTE5, VWC5, VWE5, VWT5, VX, VX8, VXB5, VXE, VXE8, VXEH, VXG VXH, VXX, VXX2, VXU1
15	96100-62020-00 91004-KZR-602	BEARING, RADIAL BALL, 6202... BEARING, RADIAL BALL, 6202 (FUJIKOSHI)	1	1	1	1	1			LBD, LBP, LFU, QBD, QBL, QBP, QBT, QMAH, SCC, SEM, STCH, SWD4, SWSC LBH, LBHS, LH, LHB5, LHP1, QBH, QBHS, QBHZ, QC1, QC2, QCT, QHB1/A QHB2/A, QHB5, QHP1, QHT1, QHTN, QMH, QN, QP, SH, SJG LWD1, LWP1, QTE, SMEJ, SWDL EDS5, ES5, EWS4, EWS5, LEAJ, LXE5, LXE9, PXE5, QNR5, QX5, QXE, QXE5 QXEK, SC15, SC5, SX5, SXE5, VMT3, VS15, VS5, VS6, VSEP, VWE5, VWT5 VXE, VXE8, VXX EDT5, EWS1, EWS3, LXQ5, PKT5, PX, PXU5, QA25, QAA5, QAPW/A, QC55 QC95, QCWE, QK45, QX, QXA5, QXB5, QXK, QXQ5, QXU5, SCM5, SHMV, SME5 SMM, SWA5, SWX2, SXX, SXX1, SXQ5, VEP5, VMQ3, VPX5, VPXP/A, VS3, VS4 VSB4, VSD5, VSP/A, VWC5, VX, VXB5, VXH QBE1/A, SWDH EZD5, QZSD, QZSL, VZS6 SZSK
			-	1	-	-	1	-----	-----	QMAH/A
			-	-	-	1	-	-----	-----	LFU, SCC



E-3

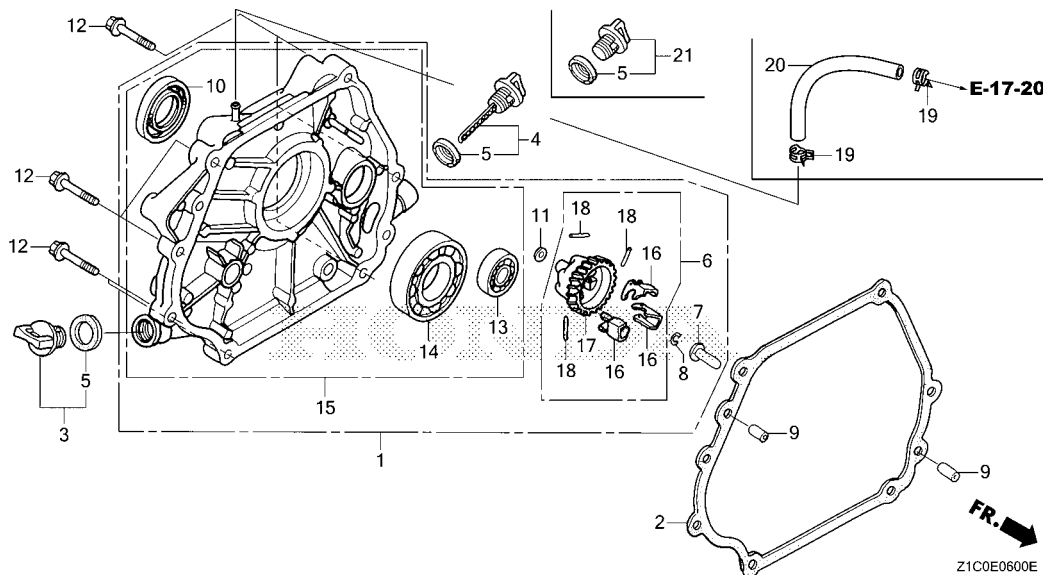
CYLINDER BARREL



Ref. No.	Part No.	Description	Reqd. QTY					Serial No.	Parts catalogue code
			GX 390 T1	GX 390 T2	GX 390 T2X	GX 390 UT2	GX 390 UT2X		
16	35480-ZF6-003	SWITCH ASSY., OIL LEVEL.....	1	-	1	1	1	-----	ES2, ES3, QAPW, QMAH, QMAH/A, SWX2, VMQ3, VS4, VS6, VSB4, VSB5, VSP VXX2 PX, QX, QXE, SWX, SX, SXC, SXE, VTE5, VX, VXE, VXU1 LXE9, QXEK, QXK, VXX EDS1, EDSS, EDT1, EDT5, ES2, ES5, EWS1, EWS3, EWS4, EWS5, LEAJ, LXE5 LXE9, LXQ5, PKT5, PX, PXE5, PXU5, QA25, QAA5, QAPW, QAPW/A, QC55 QC95, QCWE, QK45, QKA5, QNR5, QPW, QX, QX5, QXA5, QXB5, QXE, QXE5 QXEK, QXG, QXK, QXQ5, QXU5, SC15, SC5, SCM5, SEM, SME5, SMM, SMTP STCH, SWA5, SWSC, SWX, SWX2, SX, SX5, SXC, SXE5, SXQ5, VEP5, VMQ3 VMT, VMT2, VMT3, VPX5, VPXP, VPXP/A, VS15, VS3, VS4, VS5, VS6, VSB3 VSB4, VSD5, VSEP, VSP, VSP/A, VTE5, VWCS, VWE5, VWT5, VX, VXB5, VXE VXE5, VXG, VXH, VXX, VXU1 ES2, ES3, VS4, VS6, VSB3, VSB4, VSB5 ES5, EWS4, EWS5, VS5, VS6, VSB3, VSB5
			1	-	-	-	-	1337117	PX, QX, QXE, SWX, SX, SXC, SXE, VTE5, VX, VXE, VXU1
			1	-	-	-	-	1340608	LXE9, QXEK, QXK, VXX
			-	1	-	-	-	-----	EDS1, EDSS, EDT1, EDT5, ES2, ES5, EWS1, EWS3, EWS4, EWS5, LEAJ, LXE5 LXE9, LXQ5, PKT5, PX, PXE5, PXU5, QA25, QAA5, QAPW, QAPW/A, QC55 QC95, QCWE, QK45, QKA5, QNR5, QPW, QX, QX5, QXA5, QXB5, QXE, QXE5 QXEK, QXG, QXK, QXQ5, QXU5, SC15, SC5, SCM5, SEM, SME5, SMM, SMTP STCH, SWA5, SWSC, SWX, SWX2, SX, SX5, SXC, SXE5, SXQ5, VEP5, VMQ3 VMT, VMT2, VMT3, VPX5, VPXP, VPXP/A, VS15, VS3, VS4, VS5, VS6, VSB3 VSB4, VSD5, VSEP, VSP, VSP/A, VTE5, VWCS, VWE5, VWT5, VX, VXB5, VXE VXE5, VXG, VXH, VXX, VXU1
17	31161-ZE2-000	CORD, EARTH.....	1	1	-	-	-	-----	ES2, ES3, VS4, VS6, VSB3, VSB4, VSB5
18	91406-166-000	CLIP, WIRE.....	1	1	-	-	-	-----	ES5, EWS4, EWS5, VS5, VS6, VSB3, VSB5
19	32115-Z5T-W00	BRACKET A, HARNESS.....	-	1	-	-	-	-----	EZD5, EZDS, EZS4, EZS5, QZSD, QZSL, SZSK, VZKK, VZS5, VZS6, VZX
20	35480-Z5T-W01	SWITCH ASSY., OIL LEVEL.....	-	1	-	-	-	-----	EZD5, EZDS, EZS4, EZS5, QZSD, QZSL, SZSK, VZKK, VZS5, VZS6, VZX
21	90029-888-000	BOLT, FLANGE, 6X16(CT200)....	-	2	-	-	-	-----	EZD5, EZDS, EZS4, EZS5, QZSD, QZSL, SZSK, VZKK, VZS5, VZS6, VZX
22	91309-Z6L-000	O-RING, 37.9X2.4.....	-	1	-	-	-	-----	EZD5, EZDS, EZS4, EZS5, QZSD, QZSL, SZSK, VZKK, VZS5, VZS6, VZX
23	15515-ZE3-701	PLATE, OIL LEVEL SWITCH.....	-	1	-	-	-	-----	EWS1, EWS3, EWS4, EWS5
24	90131-883-000	BOLT, DRAIN PLUG, 12X15.....	-	1	-	-	-	-----	QPW
	90131-ZE1-000	BOLT, DRAIN PLUG.....	-	1	-	-	-	-----	SWD4, SWDH
			-	1	-	-	-	2094935	SWDL
25	94109-12000	WASHER, DRAIN PLUG, 12MM.....	-	1	-	-	-	-----	QPW
	90601-ZE1-000	WASHER, DRAIN PLUG, 10.2MM...	-	1	-	-	-	-----	SWD4, SWDH
			-	1	-	-	-	2094935	SWDL
26	19526-ZE3-H60	EXTENSION, OIL DRAIN.....	-	1	-	-	-	-----	SWD4, SWDH
			-	1	-	-	-	2094935	SWDL

E-6

CRANKCASE COVER(1)



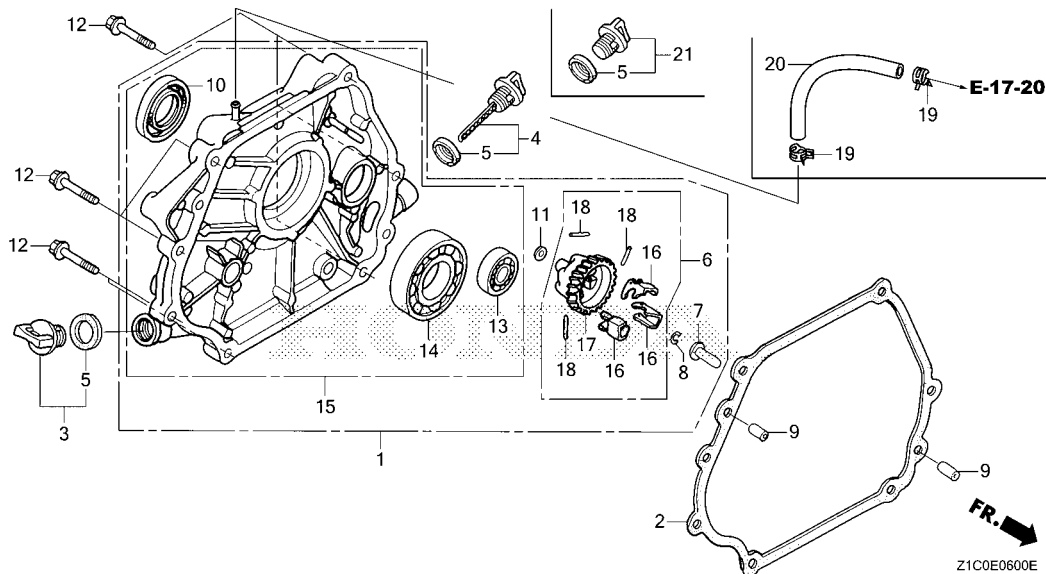
Ref. No.	L.O.N.	(Relative ref. Number) Description	F.R.T.
1	1101P6	COVER ASSEMBLY, CRANKCASE	0.2
2	1101E9	PACKING, CRANKCASE COVER	0.2
6	1161C4	GOVERNOR ASSEMBLY	0.3
7	1161B6	SLIDER, GOVERNOR	0.3
10	1101E5	OIL SEAL, CRANKSHAFT :REAR	0.3
13	1101F5	BEARING, BALANCER WEIGHT :REAR	0.4
14	1101A6	BEARING, CRANKSHAFT :REAR	0.4
15	1101F1	COVER, CRANKCASE	0.3
17		(16, 18)	
	1161A7	HOLDER, GOVERNOR WEIGHT	0.4
20	3101Z8	TUBE, SHUT-OFF	0.1

Ref. No.	Part No.	Description	Reqd. QTY					Serial No.	Parts catalogue code
			GX 390 T1	GX 390 T2	GX 390 T2X	GX 390 UT2	GX 390 UT2X		
1	11300-Z1C-000	COVER ASSY., CRANKCASE	1	1	-	1	-	EDS1, EDS5, EDT1, EDT5, QMAH, QMAH/A, SC5, SH, SHE, SHMV, SJG, SM11 SME5, SMEJ, SMTP, SN, SWA5, SWDH, SWDL, SWE, SWE2, SWX, SWX2, SX, SX5 SXC, SXE, SXE5, SXE8, SXX, SXX1, SXQ4, SXQ5	
	11300-Z8W-800	COVER ASSY., CRANKCASE(S-TYPE)	1	1	-	1	-	PKT5, SC15, SCC, SCM5, SMM, VS3, VS4, VS5, VS6	
	11300-Z1C-600	COVER ASSY., CRANKCASE	1	1	-	-	-	PX, PXE5, PXE8, PXU, PXU5, QA2, QA25, QA26, QAA2, QAA5, QAA6, QAPW QAPW/A, QBE1, QBE1/A, QBHZ, QBL5, QBS, QBS1, QC1, QC2, QC55, QC95 QCT, QCWE, QH, QHB1, QHB1/A, QHB2, QHB2/A, QHB3, QHB5, QHP1, QHT QHT1, QHTN, QK45, QKA5, QMH, QN, QNR5, QP, QT, QTD, QTE, QTN, QX, QX5 QXA5, QXB5, QXE, QXE5, QXE8, QXEK, QXK, QXQ4, QXQ5, QXU, QXU5, VEP5 VMQ3, VPX5, VPXP, VPXP/A, VS15, VSB3, VSB4, VSB5, VSD5, VSEP, VSP VSP/A, VTE5, VWC5, VWE5, VWT5, VX, VX8, VXB5, VXE, VXE8, VXEH, VXH VXX, VXX2, VXU1	
	11300-Z1C-601		-	1	1	-	-	PX, PXE5, PXU5, QA25, QAA5, QAPW, QAPW/A, QBD, QBE1, QBE1/A, QBH QBHS, QBHZ, QBT, QC1, QC2, QC55, QC95, QCWE, QHB1, QHB1/A, QHB2 QHB2/A, QHP1, QHT1, QHTN, QK45, QKA5, QMH, QN, QNR5, QP, QTE, QX, QX5 QXA5, QXB5, QXE, QXE5, QXEK, QXK, QXQ5, QXU5, VEP5, VMQ3, VPX5, VPXP VPXP/A, VS15, VSB4, VSD5, VSEP, VSP, VSP/A, VWC5, VWE5, VWT5, VX VXB5, VXE, VXEH, VXH, VXX	
	11300-Z1C-010		-	1	-	1	1	EDS5, EDT5, QMAH, QMAH/A, SC5, SH, SHMV, SJG, SME5, SMEJ, STCH, SWA5 SWD4, SWDH, SWDL, SWSC, SWX2, SX5, SXE5, SXX, SXX1, SXQ5	
	11300-Z8W-801	COVER ASSY., CRANKCASE(S-TYPE)	-	1	-	1	1	PKT5, SC15, SCC, SCM5, SEM, SMM, VS3, VS4, VS5, VS6	
	11300-Z1C-890	COVER ASSY., CRANKCASE	-	1	-	-	-	QNG, QTG, QXG, VXG	
	11300-Z1C-891		-	1	-	-	-	QTG, QXG, VXG	
	11300-Z1C-600		-	1	-	-	-	1605165	
2	11381-ZE3-801	PACKING, CASE COVER	1	-	-	-	-	QBH, QBHS PX, PXE8, PXU, QA2, QA26, QAA2, QAA6, QAPW, QBE1, QBH, QBHS, QBL5 QBS, QH, QHB1, QHB3, QHB5, QHP1, QMH, QN, QP, QT, QTD, QTN, QX, QXE QXE8, QXEK, QXK, QXQ4, QXU, SH, SHE, SN, SWE, SWE2, SWX, SWX2, SX, SXC SXE, SXE8, SXQ4, VMQ3, VS4, VS6, VSB4, VSB5, VSP, VTE5, VX, VX8, VXE VXE8, VXX, VXX2, VXU1	



E-6

CRANKCASE COVER(1)



Ref. No.	Part No.	Description	Reqd. QTY					Serial No.	Parts catalogue code
			GX 390 T1	GX 390 T2	GX 390 T2X	GX 390 UT2	GX 390 UT2X		
(2)	11381-Z5T-000	PACKING, CRANKCASE COVER.....	-	1	1	1	1	-----	EDS1,EDS5,EDT1,EDT5,PKT5,PX,PXE5,PXU5,QA25,QAA5,QAPW,QAPW/A,QBE1,QBE1/A,QBH,QBHS,QBHZ,QBLS,QBS,QBS1,QC1,QC2,QC55,QC95,QCT,QCWE,QH,QHB1,QHB1/A,QHB2,QHB2/A,QHB3,QHB5,QHP1,QHT,QHT1,QHTN,QK45,QKA5,QMAH,QMAH/A,QMH,QN,QNG,QNR5,QP,QTD,QTE,QTG,QTN,QX,QX5,QXA5,QXB5,QXE,QXE5,QXEK,QXG,QXK,QXQ5,QXU5,SC15,SC5,SCC,SCM5,SEM,SH,SHMV,SJG,SM11,SME5,SMEJ,SMM,SMTTP,STCH,SWA5,SWD4,SWDH,SWDL,SWE2,SWSC,SWX,SWX2,SX,SX5,SXC,SXE5,SXK,SXK1,SXQ5,VEP5,VMQ3,VPX5,VPXP,VPXP/A,VS15,VS3,VS4,VS5,VS6,VS8,VS9,VS10,VS11,VS12,VS13,VS14,VS15,VS16,VS17,VS18,VS19,VS20,VS21,VS22,VS23,VS24,VS25,VS26,VS27,VS28,VS29,VS30,VS31,VS32,VS33,VS34,VS35,VS36,VS37,VS38,VS39,VS40,VS41,VS42,VS43,VS44,VS45,VS46,VS47,VS48,VS49,VS50,VS51,VS52,VS53,VS54,VS55,VS56,VS57,VS58,VS59,VS60,VS61,VS62,VS63,VS64,VS65,VS66,VS67,VS68,VS69,VS70,VS71,VS72,VS73,VS74,VS75,VS76,VS77,VS78,VS79,VS80,VS81,VS82,VS83,VS84,VS85,VS86,VS87,VS88,VS89,VS90,VS91,VS92,VS93,VS94,VS95,VS96,VS97,VS98,VS99,VS100
	11381-ZE3-801	PACKING, CASE COVER.....	-	1	-	-	-	-----	QBD,QBL,QBP,QBT
	3 15600-Z0T-820	CAP ASSY., OIL FILLER(BLACK)·	1	1	1	1	1	-----	EDS1,EDS5,EDT1,EDT5,EZD5,EZDS,PKT5,PX,PXE5,PXE8,PXU,PXU5,QA2,QA25,QA26,QAA2,QAA5,QAA6,QAPW,QAPW/A,QBD,QBE1,QBE1/A,QBH,QBHS,QBHZ,QBL,QBLS,QBP,QBS,QBS1,QBT,QC1,QC2,QC55,QC95,QCT,QCWE,QH,QHB1,QHB1/A,QHB2,QHB2/A,QHB3,QHB5,QHP1,QHT,QHT1,QHTN,QK45,QKA5,QMAH,QMAH/A,QMH,QN,QNG,QNR5,QP,QT,QTD,QTE,QTG,QTN,QX,QX5,QXA5,QXB5,QXE,QXE5,QXE8,QXEK,QXG,QXK,QXQ4,QXQ5,QXU,QXU5,QZSD,QZSL,SC15,SC5,SCC,SCM5,SEM,SH,SHE,SHMV,SJG,SM11,SME5,SMEJ,SMM,SMTTP,SN,STCH,SWA5,SWD4,SWDH,SWDL,SWE,SWE2,SWSC,SWX,SWX2,SX,SX5,SXC,SXE,SXE5,SXE8,SXK,SXK1,SXQ4,SXQ5,SZSK,VEP5,VMQ3,VPX5,VPXP,VPXP/A,VS15,VS3,VS4,VS5,VS6,VS8,VS9,VS10,VS11,VS12,VS13,VS14,VS15,VS16,VS17,VS18,VS19,VS20,VS21,VS22,VS23,VS24,VS25,VS26,VS27,VS28,VS29,VS30,VS31,VS32,VS33,VS34,VS35,VS36,VS37,VS38,VS39,VS40,VS41,VS42,VS43,VS44,VS45,VS46,VS47,VS48,VS49,VS50,VS51,VS52,VS53,VS54,VS55,VS56,VS57,VS58,VS59,VS60,VS61,VS62,VS63,VS64,VS65,VS66,VS67,VS68,VS69,VS70,VS71,VS72,VS73,VS74,VS75,VS76,VS77,VS78,VS79,VS80,VS81,VS82,VS83,VS84,VS85,VS86,VS87,VS88,VS89,VS90,VS91,VS92,VS93,VS94,VS95,VS96,VS97,VS98,VS99,VS100,VZKK,VZS5,VZS6,VZX

E-6

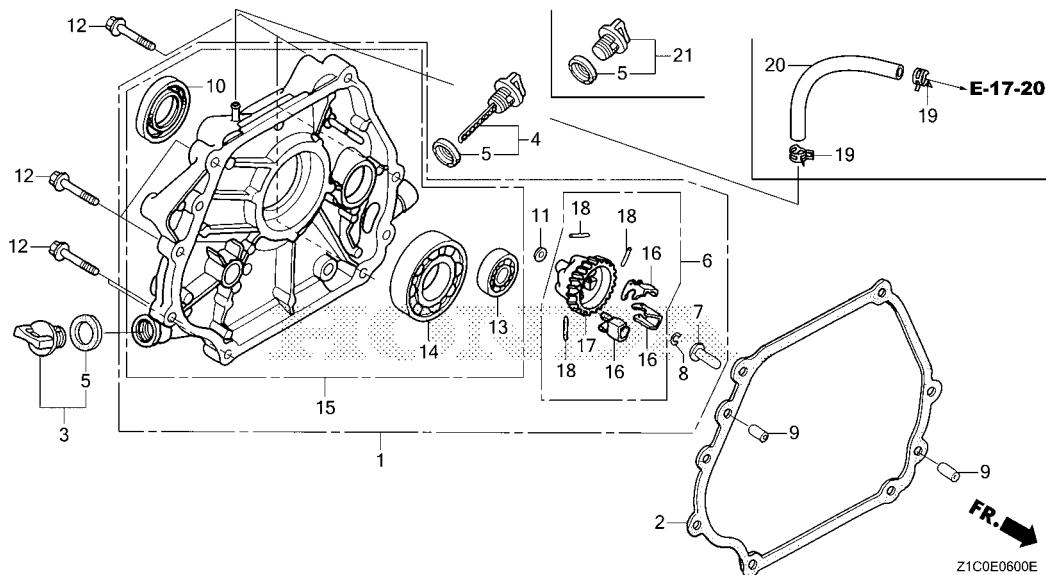
CRANKCASE COVER(1)

Ref. No.	Part No.	Description	Reqd. QTY					Serial No.	Parts catalogue code
			GX 390 T1	GX 390 T2	GX 390 T2X	GX 390 UT2	GX 390 UT2X		
4	15600-Z1C-000	CAP ASSY., OIL FILLER.....	1	1	1	1	1	-----	EDS1, EDS5, EDT1, EDT5, EZD5, EZDS, PKT5, PX, PXE5, PXE8, PXU, PXU5, QA2, QA25, QA26, QAA2, QAA5, QAA6, QAPW, QAPW/A, QBD, QBE1, QBE1/A, QBH, QBHS, QBHZ, QBL, QBL5, QBP, QBS, QBS1, QBT, QC1, QC2, QC55, QC95, QCT, QCWE, QH, QHB1, QHB1/A, QHB3, QHB5, QHP1, QHT, QHT1, QHTN, QK45, QKA5, QMAH, QMAH/A, QMH, QN, QNG, QNR5, QP, QT, QTD, QTE, QTG, QTN, QX, QX5, QXA5, QXB5, QXE, QXE5, QXE8, QXEK, QXG, QXK, QXQ4, QXQ5, QXU, QXU5, QZSD, QZSL, SC15, SC5, SCC, SCM5, SEM, SH, SHE, SHMV, SJG, SM11, SME5, SMEJ, SMM, SMTP, SN, STCH, SWA5, SWD4, SWDH, SWDL, SWE, SWE2, SWSC, SWX, SWX2, SX, SX5, SXC, SXE, SXE5, SXE8, SXX, SXX1, SXQ4, SXQ5, SZSK, VEP5, VMQ3, VPX5, VPXP, VPXP/A, VS3, VS4, VS5, VS6, VSB3, VSB4, VSB5, VSD5, VSP, VSP/A, VTE5, VWC5, VWE5, VWT5, VX, VX8, VXB5, VXE, VXE8, VXE8, VXEH, VXG, VXH, VXX, VXX2, VXU1, VZKK, VZS5, VZS6, VZX
	15600-Z0T-810	CAP ASSY., OIL FILLER(GAUGE) (GRAY)	-	1	-	-	-	-----	QHB2, QHB2/A
5	15625-Z0T-800	PACKING, OIL FILLER CAP.....	2	2	2	2	2	-----	EDS1, EDS5, EDT1, EDT5, EZD5, EZDS, PKT5, PX, PXE5, PXE8, PXU, PXU5, QA2, QA25, QA26, QAA2, QAA5, QAA6, QAPW, QAPW/A, QBD, QBE1, QBE1/A, QBH, QBHS, QBHZ, QBL, QBL5, QBP, QBS, QBS1, QBT, QC1, QC2, QC55, QC95, QCT, QCWE, QH, QHB1, QHB1/A, QHB2, QHB2/A, QHB3, QHB5, QHP1, QHT, QHT1, QHTN, QK45, QKA5, QMAH, QMAH/A, QMH, QN, QNG, QNR5, QP, QT, QTD, QTE, QTG, QTN, QX, QX5, QXA5, QXB5, QXE, QXE5, QXE8, QXEK, QXG, QXK, QXQ4, QXQ5, QXU, QXU5, QZSD, QZSL, SC15, SC5, SCC, SCM5, SEM, SH, SHE, SHMV, SJG, SM11, SME5, SMEJ, SMM, SMTP, SN, STCH, SWA5, SWD4, SWDH, SWDL, SWE, SWE2, SWSC, SWX, SWX2, SX, SX5, SXC, SXE, SXE5, SXE8, SXX, SXX1, SXQ4, SXQ5, SZSK, VEP5, VMQ3, VPX5, VPXP, VPXP/A, VS15, VS3, VS4, VS5, VS6, VSB3, VSB4, VSB5, VSD5, VSEP, VSP, VSP/A, VTE5, VWC5, VWE5, VWT5, VX, VX8, VXB5, VXE, VXE8, VXE8, VXEH, VXG, VXH, VXX, VXX2, VXU1, VZKK, VZS5, VZS6, VZX
6	16510-ZE3-000	GOVERNOR ASSY.	1	1	1	1	1	-----	EDS1, EDS5, EDT1, EDT5, PKT5, PX, PXE5, PXE8, PXU, PXU5, QA2, QA25, QA26, QAA2, QAA5, QAA6, QAPW, QAPW/A, QBD, QBE1, QBE1/A, QBHZ, QBL5, QBS, QBS1, QBT, QC1, QC2, QC55, QC95, QCT, QCWE, QH, QHB1, QHB1/A, QHB2, QHB2/A, QHB3, QHB5, QHP1, QHT, QHT1, QHTN, QK45, QKA5, QMAH, QMAH/A, QMH, QN, QNG, QNR5, QP, QT, QTD, QTE, QTG, QTN, QX, QX5, QXA5, QXB5, QXE, QXE5, QXE8, QXEK, QXG, QXK, QXQ4, QXQ5, QXU, QXU5, SC15, SC5, SCC, SCM5, SEM, SH, SHE, SHMV, SJG, SM11, SME5, SMEJ, SMM, SMTP, SN, STCH, SWA5, SWD4, SWDH, SWDL, SWE, SWE2, SWSC, SWX, SWX2, SX, SX5, SXC, SXE, SXE5, SXE8, SXX, SXX1, SXQ4, SXQ5, VEP5, VMQ3, VPX5, VPXP, VPXP/A, VS15, VS3, VS4, VS5, VS6, VSB3, VSB4, VSB5, VSD5, VSEP, VSP, VSP/A, VTE5, VWC5, VWE5, VWT5, VX, VX8, VXB5, VXE, VXE8, VXE8, VXEH, VXG, VXH, VXX, VXX2, VXU1
7	16531-Z0A-000	SLIDER, GOVERNOR.....	-	1	-	-	-	1605165 -----	QBH, QBHS
			1	1	1	1	1	-----	EDS1, EDS5, EDT1, EDT5, PKT5, PX, PXE5, PXE8, PXU, PXU5, QA2, QA25, QA26, QAA2, QAA5, QAA6, QAPW, QAPW/A, QBD, QBE1, QBE1/A, QBHZ, QBL5, QBS, QBS1, QBT, QC1, QC2, QC55, QC95, QCT, QCWE, QH, QHB1, QHB1/A, QHB2, QHB2/A, QHB3, QHB5, QHP1, QHT, QHT1, QHTN, QK45, QKA5, QMAH, QMAH/A, QMH, QN, QNG, QNR5, QP, QT, QTD, QTE, QTG, QTN, QX, QX5, QXA5, QXB5, QXE, QXE5, QXE8, QXEK, QXG, QXK, QXQ4, QXQ5, QXU, QXU5, SC15, SC5, SCC, SCM5, SEM, SH, SHE, SHMV, SJG, SM11, SME5, SMEJ, SMM, SMTP, SN, STCH, SWA5, SWD4, SWDH, SWDL, SWE, SWE2, SWSC, SWX, SWX2, SX, SX5, SXC, SXE, SXE5, SXE8, SXX, SXX1, SXQ4, SXQ5, VEP5, VMQ3, VPX5, VPXP, VPXP/A, VS15, VS3, VS4, VS5, VS6, VSB3, VSB4, VSB5, VSD5, VSEP, VSP, VSP/A, VTE5, VWC5, VWE5, VWT5, VX, VX8, VXB5, VXE, VXE8, VXE8, VXEH, VXG, VXH, VXX, VXX2, VXU1
			-	1	-	-	-	1605165 -----	QBH, QBHS



E-6

CRANKCASE COVER(1)



Ref. No.	Part No.	Description	Reqd. QTY					Serial No.	Parts catalogue code
			GX 390 T1	GX 390 T2	GX 390 T2X	GX 390 UT2	GX 390 UT2X		
8	90602-ZE1-000	CLIP, GOVERNOR HOLDER	1	1	1	1	1	-----	EDS1, EDS5, EDT1, EDT5, PKT5, PX, PXE5, PXE8, PXU, PXU5, QA2, QA25, QA26, QAA2, QAA5, QAA6, QAPW, QAPW/A, QBD, QBE1, QBE1/A, QBHZ, QBLS, QBS, QBS1, QBT, QC1, QC2, QC55, QC95, QCT, QCWE, QH, QHB1, QHB1/A, QHB2, QHB2/A, QHB3, QHB5, QHP1, QHT, QHT1, QHTN, QK45, QKA5, QMAH, QMAH/A, QMH, QN, QNG, QNR5, QP, QT, QTD, QTE, QTG, QTN, QX, QX5, QXA5, QXB5, QXE, QXE5, QXE8, QXEK, QXG, QXK, QXQ4, QXQ5, QXU, QXU5, SC15, SC5, SCC, SCM5, SEM, SH, SHE, SHMV, SJG, SM11, SME5, SMEJ, SMM, SMT, SN, STCH, SWA5, SWD4, SWDH, SWDL, SWE, SWE2, SWSC, SWX, SWX2, SX, SXC, SXE, SXE5, SXE8, SXX, SXX1, SXQ4, SXQ5, VEP5, VMQ3, VPX5, VPXP, VPXP/A, VS15, VS3, VS4, VS5, VS6, VSB3, VSB4, VSB5, VSD5, VSEP, VSP, VSP/A, VTE5, VWC5, VME5, VWT5, VX, VX8, VXB5, VXE, VXE8, VXE, VXG, VXH, VXX, VXX2, VXU1
9	90701-HC4-000	DOWEL PIN, 8X12	-	1	-	-	-	1605165 -----	QBH, QBHS EDS1, EDS5, EDT1, EDT5, EZD5, EZDS, PKT5, PX, PXE5, PXE8, PXU, PXU5, QA2, QA25, QA26, QAA2, QAA5, QAA6, QAPW, QAPW/A, QBE1, QBE1/A, QBH, QBHS, QBHZ, QBLS, QBS, QBS1, QC1, QC2, QC55, QC95, QCT, QCWE, QH, QHB1, QHB1/A, QHB2, QHB2/A, QHB3, QHB5, QHP1, QHT, QHT1, QHTN, QK45, QKA5, QMAH, QMAH/A, QMH, QN, QNG, QNR5, QP, QT, QTD, QTE, QTG, QTN, QX, QX5, QXA5, QXB5, QXE, QXE5, QXE8, QXEK, QXG, QXK, QXQ4, QXQ5, QXU, QXU5, QZSD, QZSL, SC15, SC5, SCC, SCM5, SEM, SH, SHE, SHMV, SJG, SM11, SME5, SMEJ, SMM, SMT, SN, STCH, SWA5, SWD4, SWDH, SWDL, SWE, SWE2, SWSC, SWX, SWX2, SX, SX5, SXC, SXE, SXE5, SXE8, SXX, SXX1, SXQ4, SXQ5, SZSK, VEP5, VMQ3, VPX5, VPXP, VPXP/A, VS15, VS3, VS4, VS5, VS6, VSB3, VSB4, VSB5, VSD5, VSEP, VSP, VSP/A, VTE5, VWC5, VME5, VWT5, VX, VX8, VXB5, VXE, VXE8, VXE, VXG, VXH, VXX, VXX2, VXU1, VZKK, VZS5, VZS6, VZX
	94302-08140	PIN B, DOWEL, 8X14	-	2	-	-	-	-----	QBD, QBL, QBP, QBT

E-6

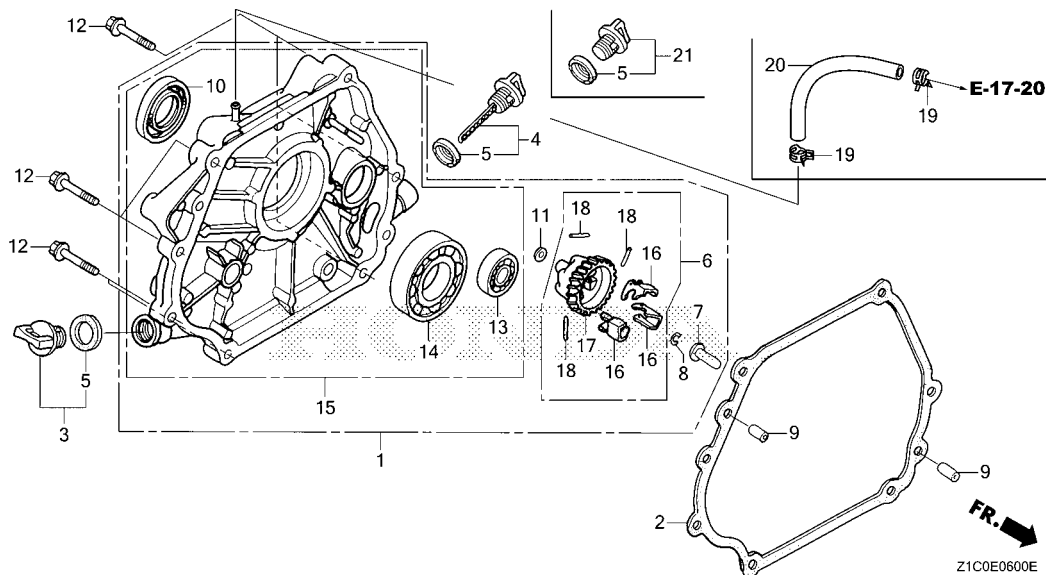
CRANKCASE COVER(1)

Ref. No.	Part No.	Description	Reqd. QTY					Serial No.	Parts catalogue code
			GX 390 T1	GX 390 T2	GX 390 T2X	GX 390 UT2	GX 390 UT2X		
10	91201-Z1C-003	OIL SEAL, 35X52X8(NOK)	1	1	1	1	1	-----	EDS1, EDS5, EDT1, EDT5, EZD5, EZDS, PKT5, PX, PXE5, PXE8, PXU, PXU5, QA2, QA25, QA26, QAA2, QAA5, QAA6, QAPW, QAPW/A, QBD, QBE1, QBE1/A, QBH, QBHS, QBHZ, QBL, QBL5, QBP, QBS, QBS1, QBT, QC1, QC2, QC55, QC95, QCT, QCWE, QH, QHB1, QHB1/A, QHB2, QHB2/A, QHB3, QHB5, QHP1, QHT, QHT1, QHTN, QK45, QKA5, QMAH, QMAH/A, QMH, QN, QNG, QNR5, QP, QT, QTD, QTE, QTG, QTN, QX, QX5, QXA5, QXB5, QXE, QXE5, QXE8, QXEK, QXG, QXK, QXQ4, QXQ5, QXU, QXU5, QZSD, QZSL, SC15, SC5, SCC, SCM5, SEM, SH, SHE, SHMV, SJG, SM11, SME5, SMEJ, SMM, SMTP, SN, STCH, SWA5, SWD4, SWDH, SWDL, SWE, SWE2, SWSC, SWX, SWX2, SX, SX5, SXC, SXE, SXE5, SXE8, SXX, SXX1, SXQ4, SXQ5, SZSK, VEP5, VMQ3, VPX5, VPXP, VPXP/A, VS15, VS3, VS4, VS5, VS6, VSB3, VSB4, VSB5, VSD5, VSEP, VSP, VSP/A, VTE5, VWC5, VWE5, VWT5, VX, VX8, VXB5, VXE, VXE8, VXEH, VXG, VXH, VXX, VXX2, VXU1, VZKK, VZS5, VZS6, VZX
11	94101-06800	WASHER, PLAIN, 6MM	1	1	1	1	1	-----	EDS1, EDS5, EDT1, EDT5, PKT5, PX, PXE5, PXE8, PXU, PXU5, QA2, QA25, QA26, QAA2, QAA5, QAA6, QAPW, QAPW/A, QBD, QBE1, QBE1/A, QBHZ, QBL5, QBS, QBS1, QBT, QC1, QC2, QC55, QC95, QCT, QCWE, QH, QHB1, QHB1/A, QHB2, QHB2/A, QHB3, QHB5, QHP1, QHT, QHT1, QHTN, QK45, QKA5, QMAH, QMAH/A, QMH, QN, QNG, QNR5, QP, QT, QTD, QTE, QTG, QTN, QX, QX5, QXA5, QXB5, QXE, QXE5, QXE8, QXEK, QXG, QXK, QXQ4, QXQ5, QXU, QXU5, SC15, SC5, SCC, SCM5, SEM, SH, SHE, SHMV, SJG, SM11, SME5, SMEJ, SMM, SMTP, SN, STCH, SWA5, SWD4, SWDH, SWDL, SWE, SWE2, SWSC, SWX, SWX2, SX, SX5, SXC, SXE, SXE5, SXE8, SXX, SXX1, SXQ4, SXQ5, VEP5, VMQ3, VPX5, VPXP, VPXP/A, VS15, VS3, VS4, VS5, VS6, VSB3, VSB4, VSB5, VSD5, VSEP, VSP, VSP/A, VTE5, VWC5, VWE5, VWT5, VX, VX8, VXB5, VXE, VXE8, VXEH, VXG, VXH, VXX, VXX2, VXU1, VZKK, VZS5, VZS6, VZX
12	95701-08040-00	BOLT, FLANGE, 8X40	-	1	-	-	-	1605165 -----	QBH, QBHS EDS1, EDS5, EDT1, EDT5, EZD5, EZDS, PKT5, PX, PXE5, PXE8, PXU, PXU5, QA2, QA25, QA26, QAA2, QAA5, QAA6, QAPW, QAPW/A, QBD, QBE1, QBE1/A, QBH, QBHS, QBHZ, QBL, QBL5, QBP, QBS, QBS1, QBT, QC1, QC2, QC55, QC95, QCT, QCWE, QH, QHB1, QHB1/A, QHB2, QHB2/A, QHB3, QHB5, QHP1, QHT, QHT1, QHTN, QK45, QKA5, QMAH, QMAH/A, QMH, QN, QNG, QNR5, QP, QT, QTD, QTE, QTG, QTN, QX, QX5, QXA5, QXB5, QXE, QXE5, QXE8, QXEK, QXG, QXK, QXQ4, QXQ5, QXU, QXU5, QZSD, QZSL, SC15, SC5, SCC, SCM5, SEM, SH, SHE, SHMV, SJG, SM11, SME5, SMEJ, SMM, SMTP, SN, STCH, SWA5, SWD4, SWDH, SWDL, SWE, SWE2, SWSC, SWX, SWX2, SX, SX5, SXC, SXE, SXE5, SXE8, SXX, SXX1, SXQ4, SXQ5, SZSK, VEP5, VMQ3, VPX5, VPXP, VPXP/A, VS15, VS3, VS4, VS5, VS6, VSB3, VSB4, VSB5, VSD5, VSEP, VSP, VSP/A, VTE5, VWC5, VWE5, VWT5, VX, VX8, VXB5, VXE, VXE8, VXEH, VXG, VXH, VXX, VXX2, VXU1, VZKK, VZS5, VZS6, VZX
13	96100-62020-00	BEARING, RADIAL BALL, 6202 ...	1	1	1	1	1	-----	EDS1, EDS5, EDT1, EDT5, EZD5, EZDS, PKT5, PX, PXE5, PXE8, PXU, PXU5, QA2, QA25, QA26, QAA2, QAA5, QAA6, QAPW, QAPW/A, QBE1, QBE1/A, QBH, QBHS, QBHZ, QBL5, QBS, QBS1, QC1, QC2, QC55, QC95, QCT, QCWE, QH, QHB1, QHB1/A, QHB2, QHB2/A, QHB3, QHB5, QHP1, QHT, QHT1, QHTN, QK45, QKA5, QMAH, QMAH/A, QMH, QN, QNG, QNR5, QP, QT, QTD, QTE, QTG, QTN, QX, QX5, QXA5, QXB5, QXE, QXE5, QXE8, QXEK, QXG, QXK, QXQ4, QXQ5, QXU, QXU5, QZSD, QZSL, SC15, SC5, SCC, SCM5, SEM, SH, SHE, SHMV, SJG, SM11, SME5, SMEJ, SMM, SMTP, SN, STCH, SWA5, SWD4, SWDH, SWDL, SWE, SWE2, SWSC, SWX, SWX2, SX, SX5, SXC, SXE, SXE5, SXE8, SXX, SXX1, SXQ4, SXQ5, SZSK, VEP5, VMQ3, VPX5, VPXP, VPXP/A, VS15, VS3, VS4, VS5, VS6, VSB3, VSB4, VSB5, VSD5, VSEP, VSP, VSP/A, VTE5, VWC5, VWE5, VWT5, VX, VX8, VXB5, VXE, VXE8, VXEH, VXG, VXH, VXX, VXX2, VXU1, VZKK, VZS5, VZS6, VZX



E-6

CRANKCASE COVER(1)



Ref. No.	Part No.	Description	Reqd. QTY					Serial No.	Parts catalogue code
			GX 390 T1	GX 390 T2	GX 390 T2X	GX 390 UT2	GX 390 UT2X		
13)	91004-KZR-602	BEARING, RADIAL BALL, 6202 (FUJIKOSHI)	-	1	-	1	1	-----	EDS5, EDT5, PKT5, PX, PXE5, PXU5, QA25, QAA5, QAPW, QAPW/A, QBD, QBE1, QBE1/A, QBH, QBHS, QBHZ, QBL, QBP, QBT, QC1, QC2, QC55, QC95, QCWE, QHB1, QHB1/A, QHB2, QHB2/A, QHP1, QHT1, QHTN, QK45, QKA5, QMAH, QMAH/A, QMH, QN, QNR5, QP, QTE, QTG, QX, QX5, QXA5, QXB5, QXE, QXE5, QXEK, QXG, QXK, QXQ5, QXU5, SC15, SC5, SCC, SCM5, SH, SHMV, SJG, SME5, SMEJ, SMM, SWA5, SWDH, SWDL, SWX2, SX5, SXE5, SXX, SXX1, SXQ5, VEP5, VMQ3, VPX5, VPXP, VPXP/A, VS15, VS3, VS4, VS5, VS6, VSB4, VSD5, VSEP, VSP, VSP/A, VWC5, VME5, VWT5, VX, VXB5, VXE, VXE8, VXE9, VXG, VXH, VXX
14	96100-62070-00	BEARING, RADIAL BALL, 6207...	1	1	1	1	1	-----	EDS1, EDS5, EDT1, EDT5, EZD5, EZDS, PKT5, PX, PXE5, PXE8, PXU, PXU5, QA2, QA25, QA26, QAA2, QAA5, QAA6, QAPW, QAPW/A, QBD, QBE1, QBE1/A, QBH, QBHS, QBHZ, QBL, QBL5, QBP, QBS, QBS1, QBT, QC1, QC2, QC55, QC95, QCT, QCWE, QH, QHB1, QHB1/A, QHB2, QHB2/A, QHB3, QHB5, QHP1, QHT, QHT1, QHTN, QK45, QKA5, QMAH, QMAH/A, QMH, QN, QNG, QNR5, QP, QT, QTD, QTE, QTG, QTN, QX, QX5, QXA5, QXB5, QXE, QXE5, QXE8, QXEK, QXG, QXK, QXQ4, QXQ5, QXU, QXU5, QZSD, QZSL, SC15, SC5, SCC, SCM5, SEM, SH, SHE, SHMV, SJG, SM11, SME5, SMEJ, SMM, SMTP, SN, STCH, SWA5, SWD4, SWDH, SWDL, SWE, SWE2, SWSC, SWX, SWX2, SX, SX5, SXC, SXE, SXE5, SXE8, SXX, SXX1, SXQ4, SXQ5, SZSK, VEP5, VMQ3, VPX5, VPXP, VPXP/A, VS15, VS3, VS4, VS5, VS6, VSB3, VSB4, VSB5, VSD5, VSEP, VSP, VSP/A, VTE5, VMC5, VME5, VWT5, VX, VX8, VXB5, VXE, VXE8, VXE9, VXG, VXH, VXX, VXX2, VXU1, VZKK, VZS5, VZS6, VZX
15	11300-Z1C-800	COVER ASSY., CRANKCASE.....	1	-	-	-	-	-----	QBH, QBHS
	11300-Z5T-W00	-	1	-	-	-	-----	EZD5, EZDS, SZSK
	11300-Z1C-801	-	1	-	-	-	-----	QBL, QBP
	11300-Z5T-W10	-	1	-	-	-	-----	QZSD, VZKK, VZX
	11300-Z5T-W80	-	1	-	-	-	-----	VZS5, VZS6
	11300-Z5T-W00	-	1	-	-	-	-----	1490550 QZSL

E-6

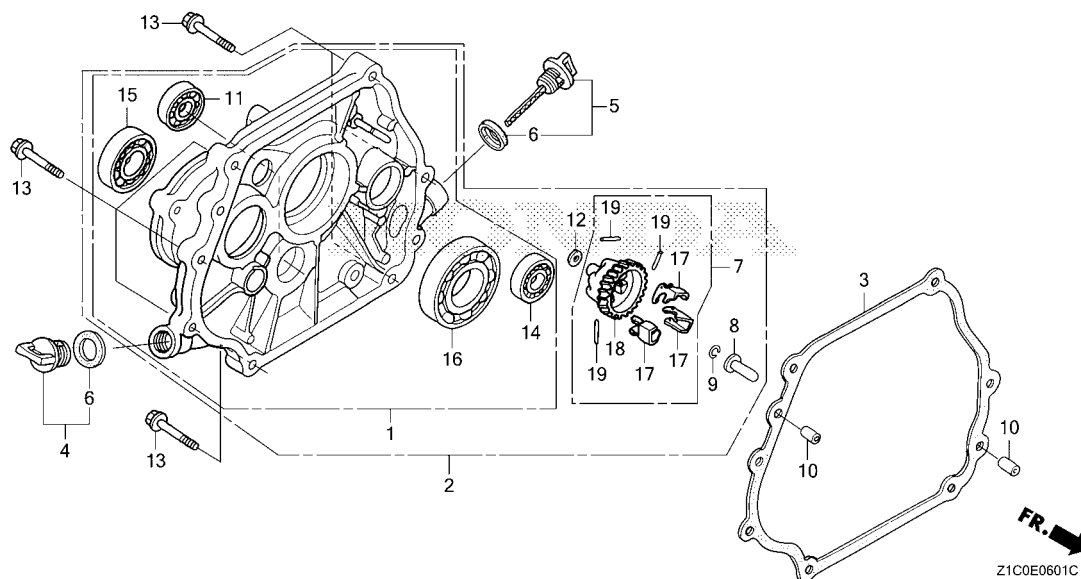
CRANKCASE COVER(1)

Ref. No.	Part No.	Description	Reqd. QTY					Serial No.	Parts catalogue code
			GX 390 T1	GX 390 T2	GX 390 T2X	GX 390 UT2	GX 390 UT2X		
15)	11300-Z1C-800 11300-Z5T-W10	COVER ASSY., CRANKCASE.....	-	1	-	-	-	----- 1605164 QBH, QBHS ----- 1490551 ----- QZSL	
16	16511-ZE8-000	WEIGHT, GOVERNOR.....	3	3	3	3	3	----- EDS1, EDS5, EDT1, EDT5, PKT5, PX, PXE5, PXE8, PXU, PXU5, QA2, QA25 QA26, QAA2, QAA5, QAA6, QAPW, QAPW/A, QBD, QBE1, QBE1/A, QBHZ, QBL5 QBS, QBS1, QBT, QC1, QC2, QC55, QC95, QCT, QCWE, QH, QHB1, QHB1/A QHB2, QHB2/A, QHB3, QHB5, QHP1, QHT, QHT1, QHTN, QK45, QKA5, QMAH QMAH/A, QMH, QN, QNG, QNR5, QP, QT, QTD, QTE, QTG, QTN, QX, QX5, QXA5 QXB5, QXE, QXE5, QXE8, QXEK, QXG, QXK, QXQ4, QXQ5, QXU, QXU5, SC15 SC5, SCC, SCM5, SEM, SH, SHE, SHMV, SJG, SM11, SME5, SMEJ, SMM, SMT5 SN, STCH, SWA5, SWD4, SWDH, SWDL, SWE, SWE2, SWSC, SWX, SWX2, SX, SX5 SXC, SXE, SXE5, SXE8, SXX, SXX1, SXQ4, SXQ5, VEP5, VMQ3, VPX5, VPXP VPXP/A, VS15, VS3, VS4, VS5, VS6, VSB3, VSB4, VSB5, VSD5, VSEP, VSP VSP/A, VTE5, VWC5, VWE5, VWT5, VX, VX8, VXB5, VXE, VXE8, VXEH, VXG VXH, VXX, VXX2, VXU1	
17	16512-ZE3-000	HOLDER, GOVERNOR WEIGHT.....	-	3	-	-	-	----- 1605165 ----- QBH, QBHS ----- EDS1, EDS5, EDT1, EDT5, PKT5, PX, PXE5, PXE8, PXU, PXU5, QA2, QA25 QA26, QAA2, QAA5, QAA6, QAPW, QAPW/A, QBD, QBE1, QBE1/A, QBHZ, QBL5 QBS, QBS1, QBT, QC1, QC2, QC55, QC95, QCT, QCWE, QH, QHB1, QHB1/A QHB2, QHB2/A, QHB3, QHB5, QHP1, QHT, QHT1, QHTN, QK45, QKA5, QMAH QMAH/A, QMH, QN, QNG, QNR5, QP, QT, QTD, QTE, QTG, QTN, QX, QX5, QXA5 QXB5, QXE, QXE5, QXE8, QXEK, QXG, QXK, QXQ4, QXQ5, QXU, QXU5, SC15 SC5, SCC, SCM5, SEM, SH, SHE, SHMV, SJG, SM11, SME5, SMEJ, SMM, SMT5 SN, STCH, SWA5, SWD4, SWDH, SWDL, SWE, SWE2, SWSC, SWX, SWX2, SX, SX5 SXC, SXE, SXE5, SXE8, SXX, SXX1, SXQ4, SXQ5, VEP5, VMQ3, VPX5, VPXP VPXP/A, VS15, VS3, VS4, VS5, VS6, VSB3, VSB4, VSB5, VSD5, VSEP, VSP VSP/A, VTE5, VWC5, VWE5, VWT5, VX, VX8, VXB5, VXE, VXE8, VXEH, VXG VXH, VXX, VXX2, VXU1	
18	16513-ZE2-000	PIN, GOVERNOR WEIGHT.....	-	1	-	-	-	----- 1605165 ----- QBH, QBHS ----- EDS1, EDS5, EDT1, EDT5, PKT5, PX, PXE5, PXE8, PXU, PXU5, QA2, QA25 QA26, QAA2, QAA5, QAA6, QAPW, QAPW/A, QBD, QBE1, QBE1/A, QBHZ, QBL5 QBS, QBS1, QBT, QC1, QC2, QC55, QC95, QCT, QCWE, QH, QHB1, QHB1/A QHB2, QHB2/A, QHB3, QHB5, QHP1, QHT, QHT1, QHTN, QK45, QKA5, QMAH QMAH/A, QMH, QN, QNG, QNR5, QP, QT, QTD, QTE, QTG, QTN, QX, QX5, QXA5 QXB5, QXE, QXE5, QXE8, QXEK, QXG, QXK, QXQ4, QXQ5, QXU, QXU5, SC15 SC5, SCC, SCM5, SEM, SH, SHE, SHMV, SJG, SM11, SME5, SMEJ, SMM, SMT5 SN, STCH, SWA5, SWD4, SWDH, SWDL, SWE, SWE2, SWSC, SWX, SWX2, SX, SX5 SXC, SXE, SXE5, SXE8, SXX, SXX1, SXQ4, SXQ5, VEP5, VMQ3, VPX5, VPXP VPXP/A, VS15, VS3, VS4, VS5, VS6, VSB3, VSB4, VSB5, VSD5, VSEP, VSP VSP/A, VTE5, VWC5, VWE5, VWT5, VX, VX8, VXB5, VXE, VXE8, VXEH, VXG VXH, VXX, VXX2, VXU1	
19	95002-41200-08	CLAMP, TUBE(D12).....	-	3	-	-	-	----- 1605165 ----- QBH, QBHS	
20	95005-75145-20	TUBE, 7.3X145.....	-	2	-	-	-	----- QNG, QTG, QXG, VXG	
21	15600-Z0T-820	CAP ASSY., OIL FILLER(BLACK)·	-	1	-	-	-	----- QNG, QTG, QXG, VXG	
			-	1	-	-	-	----- VS15, VSEP	



E-6-1

CRANKCASE COVER(2)



Ref. No.	L.O.N.	(Relative ref. Number) Description	F.R.T.
1	(2)		
	1101G0	COVER, CRANKCASE(A)	0.3
3	1101F9	PACKING, CRANKCASE COVER(A) ..	0.3
7	1161C4	GOVERNOR ASSEMBLY	0.3
8	1161B6	SLIDER, GOVERNOR	0.3
11	2101U3	BEARING, COUNTERSHAFT :FRONT	0.4
14	1101F5	BEARING, BALANCER WEIGHT :REAR	0.4
15	2141A7	BEARING, POWER TAKE OFF SHAFT :FRONT	0.4
16	1101A6	BEARING, CRANKSHAFT :REAR	0.4
18	(17,19)		
	1161A7	HOLDER, GOVERNOR WEIGHT	0.4

Ref. No.	Part No.	Description	Reqd. QTY					Serial No.	Parts catalogue code
			GX 390 T1	GX 390 T2	GX 390 T2X	GX 390 UT2	GX 390 UT2X		
1	11300-Z1C-810	COVER ASSY., CRANKCASE	1	-	-	-	-	LBH, LBHB, LBHS	
	11300-ZE3-W00	1	-	-	-	-	LP	
	11300-Z1C-810	-	1	-	-	-	LBHB	
	11300-Z1C-811	-	1	-	-	-	LBP	
	11300-Z1C-810	-	1	-	-	1605164	LBH, LBHS	
2	11300-ZE3-614	COVER ASSY., CRANKCASE	1	-	-	-	-	LH, LH2, LHB5, LHP1, LT, LXE8, LXE9, LXU	
	11300-ZE3-615	-	1	-	-	1	LBD, LFU	
	11300-ZE3-614	-	1	-	-	-	LH2, LTK1, LWD	
		-	1	-	-	2172427	LEAJ, LH, LHB5, LHP1, LWD1, LWP1, LXE5, LXE9, LXQ5	
		-	1	-	-	1605165	LBH, LBHS	
	11300-ZE3-615	-	1	-	-	2172428	LBH, LBHS, LEAJ, LH, LHB5, LHP1, LWD1, LWP1, LXE5, LXE9, LXQ5	
	11300-ZE3-614	-	-	-	1	-	3361883	LFU
	11300-ZE3-615	-	-	-	1	3361884	LFU	
3	11381-ZE3-801	PACKING, CASE COVER	1	-	-	-	-	LBH, LBHB, LBHS, LH, LH2, LHB5, LHP1, LP, LT, LXE8, LXE9, LXU	
	11381-Z5T-000	PACKING, CRANKCASE COVER	-	1	-	1	1	LBH, LBHB, LBHS, LEAJ, LFU, LH, LH2, LHB5, LHP1, LTK1, LWD, LWD1, LWP1, LXE5, LXE9, LXQ5	
	11381-ZE3-801	PACKING, CASE COVER	-	1	-	-	-	LBD, LBP	
4	15600-Z0T-820	CAP ASSY., OIL FILLER(BLACK) ..	1	1	-	1	1	LBD, LBH, LBHB, LBHS, LBP, LEAJ, LFU, LH, LH2, LHB5, LHP1, LP, LT, LTK1, LWD, LWD1, LWP1, LXE5, LXE8, LXE9, LXQ5, LXU	
5	15600-Z1C-000	CAP ASSY., OIL FILLER	1	1	-	1	1	LBD, LBH, LBHB, LBHS, LBP, LEAJ, LFU, LH, LH2, LHB5, LHP1, LP, LT, LTK1, LWD, LWD1, LWP1, LXE5, LXE8, LXE9, LXQ5, LXU	
6	15625-Z0T-800	PACKING, OIL FILLER CAP	2	2	-	2	2	LBD, LBH, LBHB, LBHS, LBP, LEAJ, LFU, LH, LH2, LHB5, LHP1, LP, LT, LTK1, LWD, LWD1, LWP1, LXE5, LXE8, LXE9, LXQ5, LXU	
	15625-ZE1-003	-	(2)	-	-	-	LWD1	
7	16510-ZE3-000	GOVERNOR ASSY.	1	1	-	1	1	LBD, LEAJ, LFU, LH, LH2, LHB5, LHP1, LT, LTK1, LWD, LWD1, LWP1, LXE5, LXE8, LXE9, LXQ5, LXU	
		-	1	-	-	1605165	LBH, LBHS	

E-6-1

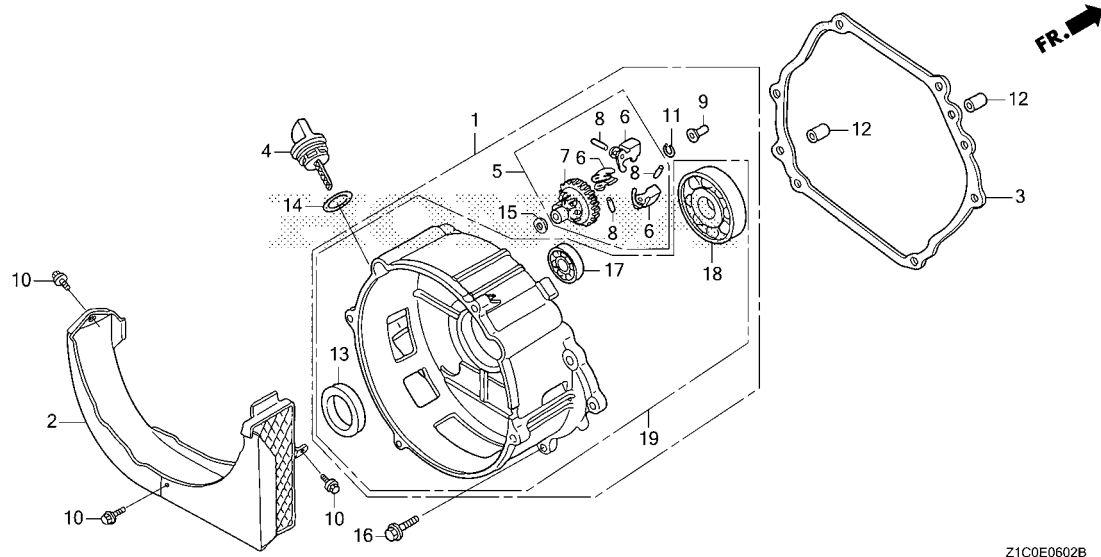
CRANKCASE COVER(2)

Ref. No.	Part No.	Description	Reqd. QTY					Serial No.	Parts catalogue code
			GX 390 T1	GX 390 T2	GX 390 T2X	GX 390 UT2	GX 390 UT2X		
8	16531-Z0A-000	SLIDER, GOVERNOR.....	1	1	-	1	1	-----	LBD, LEAJ, LFU, LH, LH2, LHB5, LHP1, LT, LTK1, LWD, LWD1, LWP1, LXE5, LXE8, LXE9, LXQ5, LXU
9	90602-ZE1-000	CLIP, GOVERNOR HOLDER.....	-	1	-	-	-	1605165 -----	LBH, LBHS
10	90701-HC4-000	DOWEL PIN, 8X12.....	2	2	-	2	2	-----	LBD, LEAJ, LFU, LH, LH2, LHB5, LHP1, LT, LTK1, LWD, LWD1, LWP1, LXE5, LXE8, LXE9, LXQ5, LXU
	94302-08140	PIN B, DOWEL, 8X14.....	-	2	-	-	-	-----	LBH, LBHS
11	91009-KJ1-003	BEARING, RADIAL BALL, 6202 (NTN)	1	1	-	1	1	-----	LBH, LBHB, LBHS, LEAJ, LFU, LH, LH2, LHB5, LHP1, LP, LT, LTK1, LWD, LWD1, LWP1, LXE5, LXE8, LXE9, LXQ5, LXU
12	94101-06800	WASHER, PLAIN, 6MM.....	1	1	-	1	1	-----	LBD, LEAJ, LFU, LH, LH2, LHB5, LHP1, LT, LTK1, LWD, LWD1, LWP1, LXE5, LXE8, LXE9, LXQ5, LXU
13	95701-08040-00	BOLT, FLANGE, 8X40.....	-	1	-	-	-	1605165 -----	LBH, LBHS
14	96100-62020-00	BEARING, RADIAL BALL, 6202...	7	7	-	7	7	-----	LBD, LBH, LBHB, LBHS, LBP, LEAJ, LFU, LH, LH2, LHB5, LHP1, LP, LT, LTK1, LWD, LWD1, LWP1, LXE5, LXE8, LXE9, LXQ5, LXU
	91004-KZR-602	BEARING, RADIAL BALL, 6202 (FUJIKOSHI)	1	1	-	1	1	-----	LBH, LBHB, LBHS, LEAJ, LFU, LH, LH2, LHB5, LHP1, LP, LT, LTK1, LWD, LWD1, LWP1, LXE5, LXE8, LXE9, LXQ5, LXU
15	96100-62040-00	BEARING, RADIAL BALL, 6204...	-	1	-	-	-	2172428 -----	LBD, LBP, LFU
			-	1	-	-	-	3361884 -----	LBH, LBHS, LEAJ, LH, LHB5, LHP1, LWD1, LWP1, LXE5, LXE9, LXQ5, LFU
16	96100-62070-00	BEARING, RADIAL BALL, 6207...	1	1	-	1	1	-----	LBD, LBH, LBHB, LBHS, LBP, LEAJ, LFU, LH, LH2, LHB5, LHP1, LP, LT, LTK1, LWD, LWD1, LWP1, LXE5, LXE8, LXE9, LXQ5, LXU
17	16511-ZE8-000	WEIGHT, GOVERNOR.....	3	3	-	3	3	-----	LBD, LEAJ, LFU, LH, LH2, LHB5, LHP1, LT, LTK1, LWD, LWD1, LWP1, LXE5, LXE8, LXE9, LXQ5, LXU
			-	3	-	-	-	1605165 -----	LBH, LBHS
18	16512-ZE3-000	HOLDER, GOVERNOR WEIGHT.....	1	1	-	1	1	-----	LBD, LEAJ, LFU, LH, LH2, LHB5, LHP1, LT, LTK1, LWD, LWD1, LWP1, LXE5, LXE8, LXE9, LXQ5, LXU
			-	1	-	-	-	1605165 -----	LBH, LBHS
19	16513-ZE2-000	PIN, GOVERNOR WEIGHT.....	3	3	-	3	3	-----	LBD, LEAJ, LFU, LH, LH2, LHB5, LHP1, LT, LTK1, LWD, LWD1, LWP1, LXE5, LXE8, LXE9, LXQ5, LXU
			-	3	-	-	-	1605165 -----	LBH, LBHS



E-6-2

CRANKCASE COVER(3)

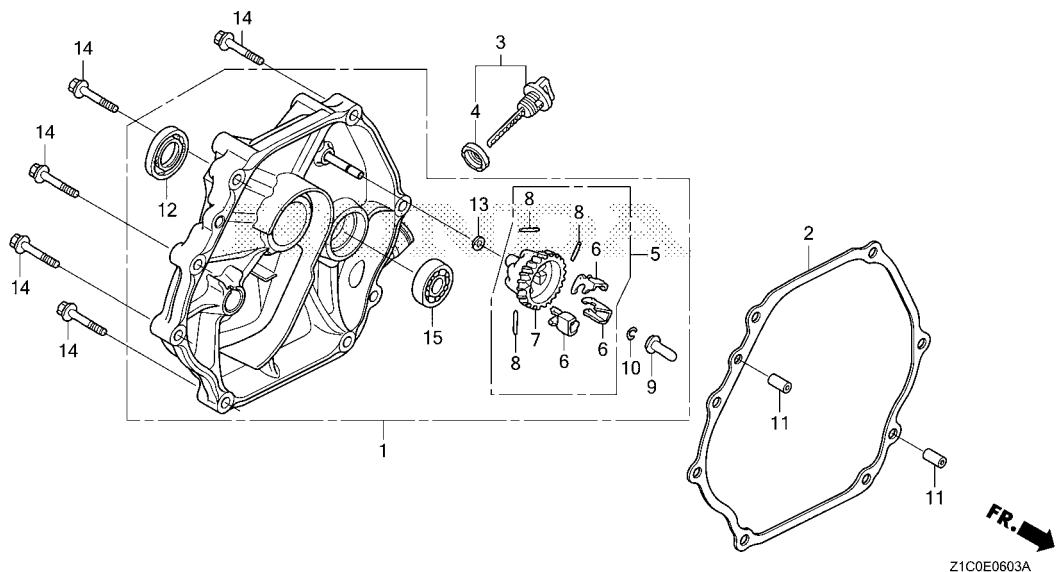


Ref. No.	L.O.N.	(Relative ref. Number) Description	F.R.T.
1	1101G0	COVER, CRANKCASE(A)	0.3
2	4141J5	COVER, DUCT	0.1
3	1101F9	PACKING, CRANKCASE COVER(A) ..	0.3
5	1161C4	GOVERNOR ASSEMBLY	0.3
7		(6,8)	
	1161A7	HOLDER, GOVERNOR WEIGHT	0.4
9	1161B6	SLIDER, GOVERNOR	0.3
17	1101F5	BEARING, BALANCER WEIGHT :REAR	0.4
18	1101A6	BEARING, CRANKSHAFT :REAR	0.4
19	1101G1	COVER, CRANKCASE(B)	0.4

Ref. No.	Part No.	Description	Reqd. QTY					Serial No.	Parts catalogue code
			GX 390 T1	GX 390 T2	GX 390 T2X	GX 390 UT2	GX 390 UT2X		
1	11300-Z8T-700	COVER ASSY., CRANKCASE	1	-	-	-	-	ES2, ES3, VMT2, VMT3	
			-	1	-	-	-	ES2, VMT, VMT2	
	11300-Z8T-701	-	1	-	-	2173451	ES5, EWS1, EWS3, EWS4, EWS5, VMT3	
2	11315-ZE3-700	COVER, DUCT	1	1	-	-	-	ES5, EWS1, EWS3, EWS4, EWS5, VMT3	
3	11381-ZE3-801	PACKING, CASE COVER	1	-	-	-	-	VMT, VMT2, VMT3	
	11381-Z5T-000	PACKING, CRANKCASE COVER	-	1	-	-	-	ES2, ES3, VMT2, VMT3	
4	15620-ZE2-700	CAP, OIL FILLER	1	1	-	-	-	ES2, ES5, EWS1, EWS3, EWS4, EWS5, VMT, VMT2, VMT3	
5	16510-ZE3-000	GOVERNOR ASSY.	1	1	-	-	-	ES2, ES3, ES5, EWS1, EWS3, EWS4, EWS5, VMT, VMT2, VMT3	
6	16511-ZE8-000	WEIGHT, GOVERNOR	3	3	-	-	-	ES2, ES3, ES5, EWS1, EWS3, EWS4, EWS5, VMT, VMT2, VMT3	
7	16512-ZE3-000	HOLDER, GOVERNOR WEIGHT	1	1	-	-	-	ES2, ES3, ES5, EWS1, EWS3, EWS4, EWS5, VMT, VMT2, VMT3	
8	16513-ZE2-000	PIN, GOVERNOR WEIGHT	3	3	-	-	-	ES2, ES3, ES5, EWS1, EWS3, EWS4, EWS5, VMT, VMT2, VMT3	
9	16531-Z0A-000	SLIDER, GOVERNOR	1	1	-	-	-	ES2, ES3, ES5, EWS1, EWS3, EWS4, EWS5, VMT, VMT2, VMT3	
10	90019-883-000	BOLT, FLANGE, 5X10(CT200)	3	3	-	-	-	ES2, ES3, ES5, EWS1, EWS3, EWS4, EWS5, VMT, VMT2, VMT3	
11	90602-ZE1-000	CLIP, GOVERNOR HOLDER	1	1	-	-	-	VMT, VMT2, VMT3	
12	90701-HC4-000	DOWEL PIN, 8X12	2	2	-	-	-	ES2, ES3, ES5, EWS1, EWS3, EWS4, EWS5, VMT, VMT2, VMT3	
13	91201-Z1C-003	OIL SEAL, 35X52X8(NOK)	1	1	-	-	-	ES2, ES3, ES5, EWS1, EWS3, EWS4, EWS5, EZS4, EZS5, VMT, VMT2, VMT3	
14	91301-805-000	O-RING, 26X2.7	1	1	-	-	-	ES2, ES3, ES5, EWS1, EWS3, EWS4, EWS5, EZS4, EZS5, VMT, VMT2, VMT3	
15	94101-06800	WASHER, PLAIN, 6MM	1	1	-	-	-	ES2, ES3, ES5, EWS1, EWS3, EWS4, EWS5, VMT, VMT2, VMT3	
16	95701-08040-00	BOLT, FLANGE, 8X40	7	7	-	-	-	ES2, ES3, ES5, EWS1, EWS3, EWS4, EWS5, EZS4, EZS5, VMT, VMT2, VMT3	
17	96100-62020-00	BEARING, RADIAL BALL, 6202 ...	1	1	-	-	-	ES2, ES3, ES5, EWS1, EWS3, EWS4, EWS5, EZS4, EZS5, VMT, VMT2, VMT3	
	91004-KZR-602	BEARING, RADIAL BALL, 6202 (FUJIKOSHI)	-	1	-	-	2173452	ES5, EWS1, EWS3, EWS4, EWS5, VMT3	
18	96100-62070-00	BEARING, RADIAL BALL, 6207 ...	1	1	-	-	-	ES2, ES3, ES5, EWS1, EWS3, EWS4, EWS5, EZS4, EZS5, VMT, VMT2, VMT3	
19	11300-Z5T-W00	COVER ASSY., CRANKCASE	-	1	-	-	-	EZS4, EZS5	

E-6-3

CRANKCASE COVER(4)



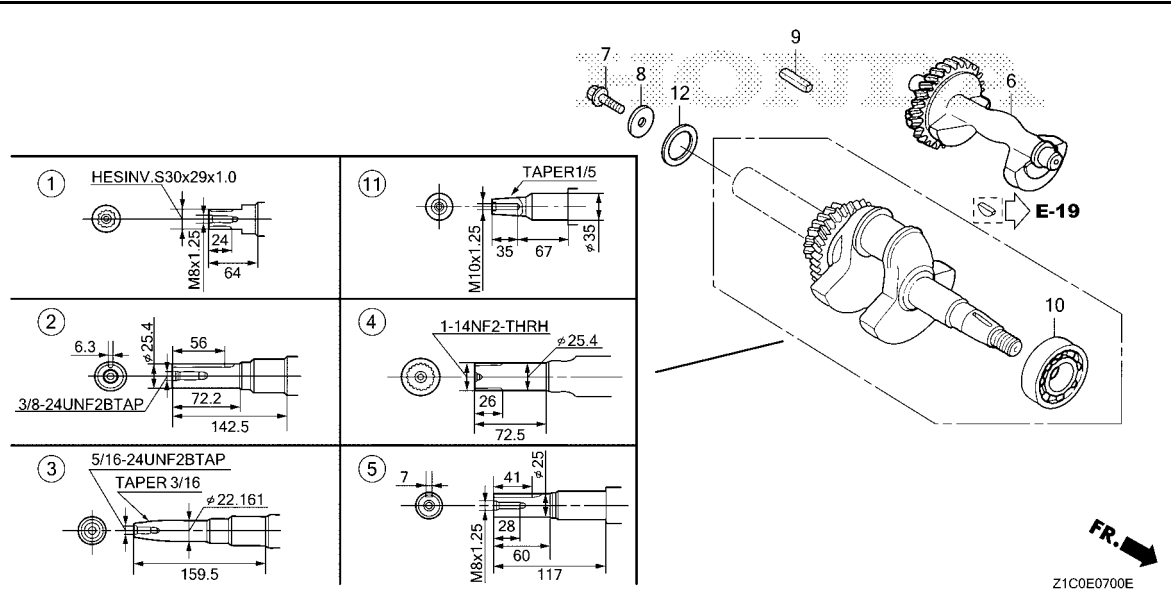
Ref. No.	L.O.N.	(Relative ref. Number) Description	F.R.T.
1	1101P6	COVER ASSEMBLY, CRANKCASE	0.2
2	1101E9	PACKING, CRANKCASE COVER	0.2
5	1161C4	GOVERNOR ASSEMBLY	0.3
7		(6,8)	
	1161A7	HOLDER, GOVERNOR WEIGHT	0.4
9	1161B6	SLIDER, GOVERNOR	0.3
12	1101E5	OIL SEAL, CRANKSHAFT :REAR	0.3
15	1101F5	BEARING, BALANCER WEIGHT :REAR	0.4

Ref. No.	Part No.	Description	Reqd. QTY					Serial No.	Parts catalogue code
			GX 390 T1	GX 390 T2	GX 390 T2X	GX 390 UT2	GX 390 UT2X		
1	11300-Z1C-790	COVER ASSY., CRANKCASE	-	1	-	-	-	QPW	
2	11381-Z5T-000	PACKING, CRANKCASE COVER	-	1	-	-	-	QPW	
3	15600-Z1C-000	CAP ASSY., OIL FILLER	-	1	-	-	-	QPW	
4	15625-Z0T-800	PACKING, OIL FILLER CAP	-	1	-	-	-	QPW	
5	16510-ZE3-000	GOVERNOR ASSY.	-	1	-	-	-	QPW	
6	16511-ZE8-000	WEIGHT, GOVERNOR	-	3	-	-	-	QPW	
7	16512-ZE3-000	HOLDER, GOVERNOR WEIGHT	-	1	-	-	-	QPW	
8	16513-ZE2-000	PIN, GOVERNOR WEIGHT	-	3	-	-	-	QPW	
9	16531-Z0A-000	SLIDER, GOVERNOR	-	1	-	-	-	QPW	
10	90602-ZE1-000	CLIP, GOVERNOR HOLDER	-	1	-	-	-	QPW	
11	90701-HC4-000	DOWEL PIN, 8X12	-	2	-	-	-	QPW	
12	91201-Z1C-003	OIL SEAL, 35X52X8(NOK)	-	1	-	-	-	QPW	
13	94101-06800	WASHER, PLAIN, 6MM	-	1	-	-	-	QPW	
14	95701-08040-00	BOLT, FLANGE, 8X40	-	7	-	-	-	QPW	
15	96100-62020-00	BEARING, RADIAL BALL, 6202	-	1	-	-	-	QPW	



E-7

CRANKSHAFT



Ref. No.	L.O.N.	(Relative ref. Number) Description	F.R.T.
1	(2,3,4,5,11)		
1101F0		CRANKSHAFT	1.1
1101F0H		.iGX type add	0.2
6	1101D8	WEIGHT, BALANCER	0.4
10	1101A4	BEARING, CRANKSHAFT :FRONT	1.3
	1101A4C	.iGX type add	0.2



Ref. No.	Part No.	Description	Reqd. QTY					Serial No.	Parts catalogue code	
			GX 390 T1	GX 390 T2	GX 390 T2X	GX 390 UT2	GX 390 UT2X			
1	13310-ZF6-W22	CRANKSHAFT COMP.	1	-	-	1	1	-----	LBH, LBHB, LBHS, LFU, LH2, LXE9	
	13310-ZF6-W20	1	-	-	-	-	-----	LH, LHB5, LHP1, LT, LXE8, LXU	
	13310-ZF6-Y30	1	-	-	-	-	1234907	LP	
	13310-ZF6-Y31	1	-	-	-	-	1284384	LP	
	13310-ZF6-Y32	1	-	-	-	-	1284385	LP	
	13310-ZF6-W22	-	1	-	-	-	-----	LBD, LBH, LBHB, LBHS, LBP, LEAJ, LH, LH2, LHB5, LHP1, LTK1, LWD, LWD1, LWP1, LXE5, LXE9, LXQ5	
2	13310-ZF6-W12	CRANKSHAFT COMP.	1	-	1	1	1	-----	QAPW, QBE1, QBH, QBHS, QBL5, QBS, QHB1, QMAH, QMAH/A, QN, QTD, QTN, QXEK, QXK	
	13310-Z1C-810	1	-	-	-	-	1183356	QA2, QA26, QAA2, QAA6, QH, QHB3, QHB5, QHP1, QMH, QP, QT, QX, QXE, QXE8, QXQ4, QXU	
	13310-ZF6-W11	1	-	-	-	-	1183357	1331623	QA2, QA26, QAA2, QAA6, QH, QHB3, QHB5, QHP1, QMH, QP, QT, QX, QXE, QXE8, QXQ4, QXU
	13310-ZF6-W12	1	-	-	-	-	1331624	-----	QA2, QA26, QAA2, QAA6, QH, QHB3, QHB5, QHP1, QMH, QP, QT, QX, QXE, QXE8, QXQ4, QXU
			-	1	-	-	-	-----	QA25, QAA5, QAPW, QAPW/A, QBD, QBE1, QBE1/A, QBH, QBHS, QBHZ, QBL, QBL5, QBP, QBS, QBS1, QBT, QC1, QC2, QC55, QC95, QCT, QCWE, QH, QHB1, QHB1/A, QHB2, QHB2/A, QHB3, QHB5, QHP1, QHT, QHT1, QHTN, QK45, QKA5, QMH, QN, QNG, QNR5, QP, QTD, QTE, QTG, QTN, QX, QX5, QXE, QXE5, QXEK, QXG, QXK, QXQ5, QXU5, QZSD, QZSL	
	13310-Z1C-790	-	1	-	-	-	-----	QPW	
	13310-ZK6-602	-	1	-	-	-	-----	QXA5, QXB5	
3	13310-ZF6-W42	CRANKSHAFT COMP.	1	-	-	-	-	-----	VMQ3, VS4, VS6, VSB4, VSB5, VSP, VXX, VXX2	
	13310-Z1C-840	1	-	-	-	-	1248887	1248887	VTE5, VX, VX8, VXE, VXE8, VXU1
	13310-ZF6-W41	1	-	-	-	-	1337116	1337116	VTE5, VX, VX8, VXE, VXE8, VXU1
	13310-ZF6-W42	1	-	-	-	-	1337117	-----	VTE5, VX, VX8, VXE, VXE8, VXU1
	13310-ZK6-672	-	1	-	-	-	-----	VEP5, VPX5, VPXP, VPXP/A, VSD5, VXB5	

E-7

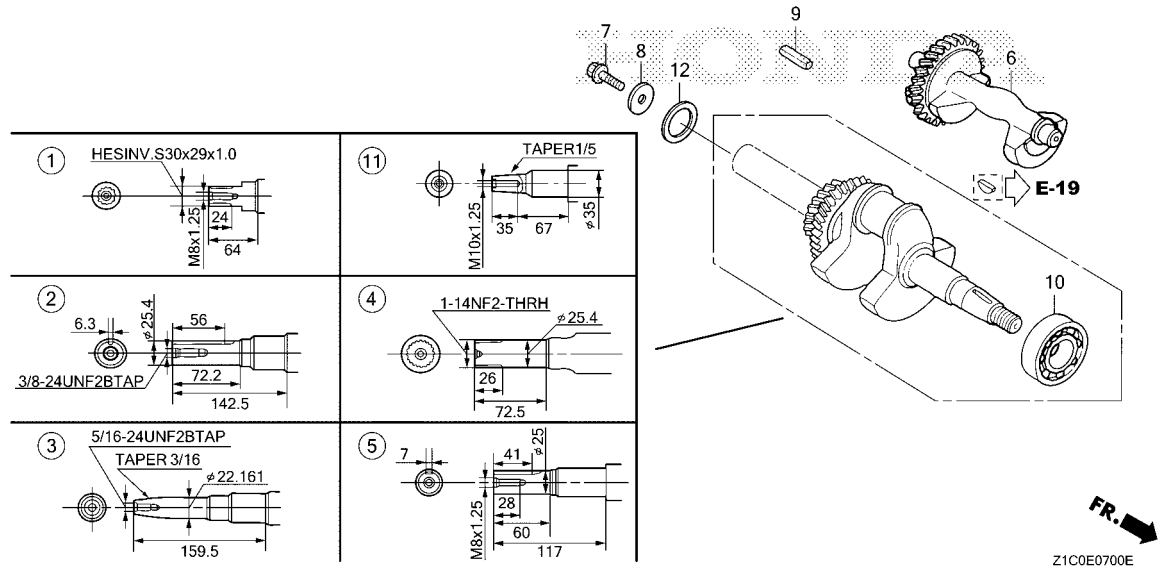
CRANKSHAFT

Ref. No.	Part No.	Description	Reqd. QTY					Serial No.	Parts catalogue code
			GX 390 T1	GX 390 T2	GX 390 T2X	GX 390 UT2	GX 390 UT2X		
(3)	13310-ZF6-W42	CRANKSHAFT COMP.	-	1	-	-	-	VMQ3, VS15, VS3, VS4, VS5, VS6, VSB3, VSB4, VSEP, VSP, VSP/A, VTE5, VWC5, VWE5, VWT5, VX, VXE, VXEH, VXG, VXH, VXX, VXU1, VZKK, VZS5, VZS6, VZX	
4	13310-Z1C-860	CRANKSHAFT COMP.	1	-	-	-	-	PX, PXE8, PXU	
	13310-ZF6-W62	-	1	-	-	-	PKT5, PX, PXE5, PXU5	
5	13310-ZF6-W72	CRANKSHAFT COMP.	1	-	-	1	1	SCC, SWE2, SWX2	
	13310-Z1C-870	1	-	-	-	-	SH, SHE, SN, SWE, SWX, SX, SXC, SXE, SXE8, SXQ4	
	13310-ZF6-W72	-	1	-	-	-	SC15, SC5, SCM5, SEM, SH, SHMV, SJG, SM11, SME5, SMEJ, SMM, SMT, STCH, SWA5, SWD4, SWDH, SWDL, SWE2, SWSC, SWX, SWX2, SX, SX5, SXC, SXE5, SXX, SXX1, SXQ5, SZSK	
6	13351-ZE3-010	WEIGHT, BALANCER	1	-	-	-	-	EDS5, EDT5, EZD5, LEAJ, LFU, LXE5, LXQ5, PKT5, PXE5, PXU5, QA25, QAA5, QAPW/A, QBE1/A, QBS1, QC1, QC2, QC55, QC95, QCT, QCWE, QHB1/A, QHB2, QHB2/A, QHT, QHT1, QHTN, QK45, QKA5, QMAH, QMAH/A, QNG, QNR5, QPW, QTE, QTG, QX5, QXA5, QXB5, QXE5, QXG, QXQ5, QXU5, QZSD, QZSL, SC15, SC5, SCC, SCM5, SEM, SHMV, SME5, SMEJ, SMM, STCH, SWA5, SWD4, SWDH, SWDL, SWSC, SX5, SXE5, SXQ5, SZSK, VEP5, VPX5, VPXP, VPXP/A, VS15, VSD5, VSEP, VSP/A, VWC5, VWE5, VWT5, VXB5, VXEH, VXG, VXH	
	13351-Z1C-800	-	1	-	-	-	LBD, LBH, LBHB, LBHS, LBP, QBD, QBH, QBHS, QBHZ, QBL, QBP, QBT	
	13351-ZE3-010	-	1	-	-	1430823	EDS1, EDT1, ES2, ES5, EWS1, EWS3, EWS4, EWS5, EZDS, EZS4, EZS5, LH, LH2, LHB5, LHP1, LTK1, LWD, LWD1, LWP1, LXE9, PX, QAPW, QBE1, QBL5, QBS, QH, QHB1, QHB3, QHB5, QHP1, QMH, QN, QP, QTD, QTN, QX, QXE, QXEK, QXK, SH, SJG, SM11, SMT, SWE2, SWX, SWX2, SX, SXC, SXX, SXX1, VMQ3, VMT, VMT2, VMT3, VS3, VS4, VS5, VS6, VSB3, VSB4, VSP, VTE5, VX, VXE, VXX, VXU1, VZKK, VZS5, VZS6, VZX	
	13351-Z1C-900	-	1	-	-	1430824	EDS1, EDT1, ES2, ES5, EWS1, EWS3, EWS4, EWS5, EZDS, EZS4, EZS5, LH, LH2, LHB5, LHP1, LTK1, LWD, LWD1, LWP1, LXE9, PX, QAPW, QBE1, QBL5, QBS, QH, QHB1, QHB3, QHB5, QHP1, QMH, QN, QP, QTD, QTN, QX, QXE, QXEK, QXK, SH, SJG, SM11, SMT, SWE2, SWX, SWX2, SX, SXC, SXX, SXX1, VMQ3, VMT, VMT2, VMT3, VS3, VS4, VS5, VS6, VSB3, VSB4, VSP, VTE5, VX, VXE, VXX, VXU1, VZKK, VZS5, VZS6, VZX	
7	90107-959-003	BOLT, FLANGE, 8X25	1	1	-	1	1	LBD, LBH, LBHB, LBHS, LBP, LEAJ, LFU, LH, LH2, LHB5, LHP1, LP, LT, LTK1, LWD, LWD1, LWP1, LXE5, LXE8, LXE9, LXQ5, LXU	
	92101-08025-0A	BOLT, HEX., 8X25	-	1	-	-	-	LTK1, LWD, LWP1, SCM5, SJG, SM11, SMT	
			-	1	-	-	-	2094934 SWDL	
8	90473-ZE3-010	WASHER, 8.5X42X4.5	1	1	-	1	1	LBD, LBH, LBHB, LBHS, LBP, LEAJ, LFU, LH, LH2, LHB5, LHP1, LP, LT, LTK1, LWD, LWD1, LWP1, LXE5, LXE8, LXE9, LXQ5, LXU	
	90534-706-010	WASHER, LOCK, 8.5X35X4.5	-	1	-	-	-	LTK1, LWD, LWP1, SCM5, SJG, SM11, SMT	
			-	1	-	-	-	2094934 SWDL	
9	90745-ZE2-600	KEY, 6.3X6.3X43	1	1	1	1	1	QA2, QA25, QA26, QAA2, QAA5, QAA6, QAPW, QAPW/A, QBD, QBH, QBHS, QBHZ, QBL, QBL5, QBP, QBS, QBS1, QBT, QC1, QC2, QC55, QC95, QCT, QCWE, QH, QHB3, QHB5, QHP1, QHT, QHT1, QHTN, QK45, QKA5, QMAH, QMAH/A, QMH, QN, QNG, QNR5, QP, QPW, QT, QTD, QTE, QTG, QTN, QX, QX5, QXA5, QXB5, QXE, QXE5, QXE8, QXEK, QXG, QXK, QXQ4, QXQ5, QXU5, QZSD, QZSL, LXE5, LXQ5, QHB1, QHB1/A, QHB2, QHB2/A, SCM5, SH, SHE, SHMV, SJG, SM11, SME5, SMEJ, SMM, SN, STCH, SWA5, SWD4, SWE, SWE2, SWSC, SWX, SWX2, SX, SX5, SXC, SXE, SXE8, SXQ4, SXQ5	
	90741-889-810	KEY, 7X7X33(YELLOW)(O.S.)	(1)	(1)	-	-	-	LH2, SCC, SH, SHE, SN, SWE, SWE2, SWX, SWX2, SX, SXC, SXE, SXE8, SXQ4, LXE5, LXQ5, SC15, SC5, SCM5, SH, SHMV, SJG, SM11, SMEJ, SMT, STCH, SWA5, SWD4, SWDH, SWDL, SWE2, SWSC, SWX, SWX2, SX, SX5, SXC, SXE5, SXQ5, SZSK	
	90741-805-000	KEY, 7X7X33	1	-	-	1	1	SXX, SXX1	
			-	1	-	-	-	ES2, ES3, LBH, LBHB, LBHS, LFU, LH2, LXE9, QAPW, QBE1, QBH, QBHS, QBL5, QBS, QHB1, QMAH, QMAH/A, QN, QTD, QTN, QXEK, QXK, SCC, SWE2, SWX2, VMQ3, VMT2, VMT3, VS4, VS6, VSB4, VSB5, VSP, VXX, VXX2	
10	91001-ZF6-013	BEARING, RADIAL BALL, 6207SH	1	-	1	1	1		



E-7

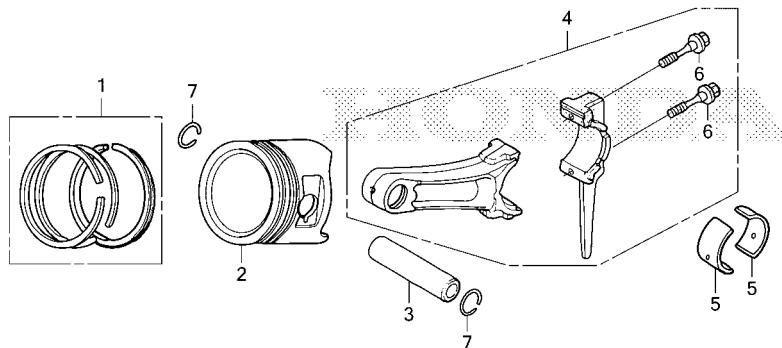
CRANKSHAFT



Ref. No.	Part No.	Description	Reqd. QTY					Serial No.	Parts catalogue code
			GX 390 T1	GX 390 T2	GX 390 T2X	GX 390 UT2	GX 390 UT2X		
10)	91001-ZF6-003	BEARING, RADIAL BALL, 6207SH	1	-	-	-	-	1284384 LP	
			1	-	-	-	-	1331623	QA2, QA26, QAA2, QAA6, QH, QHB3, QHB5, QHP1, QMH, QP, QT, QX, QXE, QXQ4, QXU
			1	-	-	-	-	1337116	LH, LHB5, LHP1, LT, LXE8, LXU, PX, PXE8, PXU, SH, SHE, SN, SWE, SWX, SX, SXC, SXE, SXE8, SXQ4, VTE5, VX, VX8, VXE, VXE8, VXU1
	91001-ZF6-013	1	-	-	-	-	1284385	LP
			1	-	-	-	-	1331624	QA2, QA26, QAA2, QAA6, QH, QHB3, QHB5, QHP1, QMH, QP, QT, QX, QXE, QXQ4, QXU
			1	-	-	-	-	1337117	LH, LHB5, LHP1, LT, LXE8, LXU, PX, PXE8, PXU, SH, SHE, SN, SWE, SWX, SX, SXC, SXE, SXE8, SXQ4, VTE5, VX, VX8, VXE, VXE8, VXU1
			-	1	-	-	-		
11	13310-ZF6-D42	CRANKSHAFT COMP.	1	1	-	-	-	EDS1, EDS5, EDT1, EDT5, ES2, ES3, ES5, EWS1, EWS3, EWS4, EWS5, EZD5, EZDS, EZS4, EZS5, VMT, VMT2, VMT3	
12	90401-Z1C-791	WASHER, THRUST, 35MM	-	1	-	-	-	QPW	

E-8

PISTON



FR. →
Z1C0E0800B

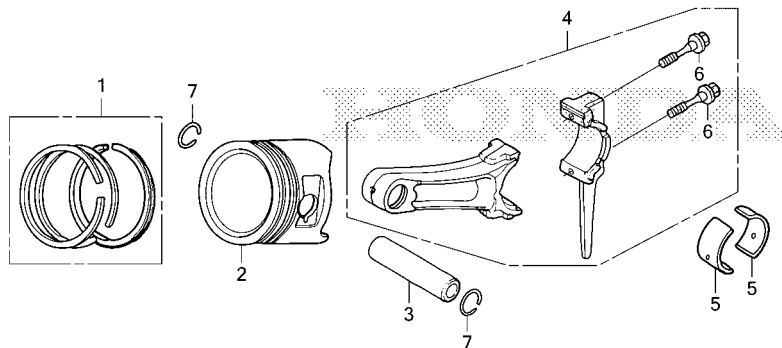
Ref. No.	L.O.N.	(Relative ref. Number) Description	F.R.T.
2	(1,3,4,5)		
1111R1		PISTON AND/OR RING SET AND/OR BEARING AND/OR RODINCLUDES: Inspection/ Measurement/Cleaning	1.2
1111R1L		.iGX type add	0.2

Ref. No.	Part No.	Description	Reqd. QTY					Serial No.	Parts catalogue code
			GX 390 T1	GX 390 T2	GX 390 T2X	GX 390 UT2	GX 390 UT2X		
1	13010-Z5T-003	RING SET, PISTON(STD.)(RIKEN)	1	-	1	1	1	-----	ES2, ES3, LBH, LBHB, LBHS, LFU, LH2, QAPW, QBE1, QBH, QBHS, QBLs, QBS, QHB1, QMAH, QMAH/A, QTN, SCC, SWE2, SWX2, VMQ3, VMT2, VMT3, VS4, VS6, VSB4, VSB5, VXX2
	13010-Z5R-004	RING SET, PISTON(STD.) (TEIKOKU)	1	-	1	1	1	-----	ES3, LBH, LBHB, LBHS, LFU, LH2, QAPW, QBE1, QBH, QBHS, QBLs, QBS, QHB1, QMAH, QMAH/A, QTN, SCC, SWE2, SWX2, VMQ3, VMT3, VS4, VS6, VSB4, VSB5, VXX2
	13011-Z5T-003	RING SET, PISTON(0.25)(RIKEN)	(1)	-	-	-	-	-----	ES2, ES3, LBH, LBHB, LBHS, LH2, QAPW, QBE1, QBH, QBHS, QBLs, QBS, QHB1, QTN, SWE2, SWX2, VMQ3, VMT2, VMT3, VS4, VS6, VSB4, VSB5, VXX2
	13012-Z5T-003	RING SET, PISTON(0.50)(RIKEN)	(1)	-	-	-	-	-----	ES2, LBH, LBHB, LBHS, LH2, QAPW, QBE1, QBH, QBHS, QBLs, QBS, QHB1, QTN, SWE2, SWX2, VMT2, VXX2
	13013-Z5T-003	RING SET, PISTON(0.75)(RIKEN)	(1)	-	-	-	-	-----	ES2, LBH, LBHB, LBHS, LH2, QAPW, QBE1, QBH, QBHS, QBLs, QBS, QHB1, QTN, SWE2, SWX2, VMT2, VXX2
	13011-Z5R-004	RING SET, PISTON(0.25) (TEIKOKU)	(1)	-	-	-	-	-----	ES3, LBH, LBHB, LBHS, LH2, QAPW, QBE1, QBH, QBHS, QBLs, QBS, QHB1, QTN, SWE2, SWX2, VMQ3, VMT3, VS4, VS6, VSB4, VSB5, VXX2
	13012-Z5R-004	RING SET, PISTON(0.50) (TEIKOKU)	(1)	-	-	-	-	-----	ES3, LBH, LBHB, LBHS, LH2, QAPW, QBE1, QBH, QBHS, QBLs, QBS, QHB1, QTN, SWE2, SWX2, VMQ3, VMT3, VS4, VS6, VSB4, VSB5, VXX2
	13013-Z5R-004	RING SET, PISTON(0.75) (TEIKOKU)	(1)	-	-	-	-	-----	ES3, LBH, LBHB, LBHS, LH2, QAPW, QBE1, QBH, QBHS, QBLs, QBS, QHB1, QTN, SWE2, SWX2, VMQ3, VMT3, VS4, VS6, VSB4, VSB5, VXX2
	13010-Z1C-800	RING SET, PISTON(STD.)(RIKEN)	1	-	-	-	-	-----	LXE8, LXU, PXE8, PXU, QA2, QA26, QAA2, QAA6, QXE8, QXQ4, QXU, SXE8, SXQ4, VX8, VXE8
	13011-Z1C-800	RING SET, PISTON(0.25)(RIKEN)	(1)	-	-	-	-	-----	LXE8, LXU, PXE8, PXU, QA2, QA26, QAA2, QAA6, QXE8, QXQ4, QXU, SXE8, SXQ4, VX8, VXE8
	13012-Z1C-800	RING SET, PISTON(0.50)(RIKEN)	(1)	-	-	-	-	-----	LXE8, LXU, PXE8, PXU, QA2, QA26, QAA2, QAA6, QXE8, QXQ4, QXU, SXE8, SXQ4, VX8, VXE8



E-8

PISTON



FR. →
Z1C0E0800B

Ref. No.	Part No.	Description	Reqd. QTY					Serial No.	Parts catalogue code
			GX 390 T1	GX 390 T2	GX 390 T2X	GX 390 UT2	GX 390 UT2X		
(1)	13013-Z1C-800	RING SET, PISTON(0.75)(RIKEN)	(1)	-	-	-	-	LXE8, LXU, PXE8, PXU, QA2, QA26, QAA2, QAA6, QXE8, QXQ4, QXU, SXE8, SXQ4, VX8, VXE8	
	13010-Z1C-800	RING SET, PISTON(STD.)(RIKEN)	1	-	-	-	-	1438369 LH, LHB5, LHP1, LP, LT, LXE9, PX, QH, QHB3, QHB5, QHP1, QMH, QX, QXE, QXEK, QXK, SH, SHE, SWE, SWX, SX, SXC, SXE, VSP, VTE5, VX, VXE, VXK, VXU1	
	13011-Z1C-800	RING SET, PISTON(0.25)(RIKEN)	(1)	-	-	-	-	1438369 LH, LHB5, LHP1, LP, LT, LXE9, PX, QH, QHB3, QHB5, QHP1, QMH, QX, QXE, QXEK, QXK, SH, SHE, SWE, SWX, SX, SXC, SXE, VSP, VTE5, VX, VXE, VXK, VXU1	
	13012-Z1C-800	RING SET, PISTON(0.50)(RIKEN)	(1)	-	-	-	-	1438369 LH, LHB5, LHP1, LP, LT, LXE9, PX, QH, QHB3, QHB5, QHP1, QMH, QX, QXE, QXEK, QXK, SH, SHE, SWE, SWX, SX, SXC, SXE, VSP, VTE5, VX, VXE, VXK, VXU1	
	13013-Z1C-800	RING SET, PISTON(0.75)(RIKEN)	(1)	-	-	-	-	1438369 LH, LHB5, LHP1, LP, LT, LXE9, PX, QH, QHB3, QHB5, QHP1, QMH, QX, QXE, QXEK, QXK, SH, SHE, SWE, SWX, SX, SXC, SXE, VSP, VTE5, VX, VXE, VXK, VXU1	
	13010-Z1C-800	RING SET, PISTON(STD.)(RIKEN)	1	-	-	-	-	1450800 QN, QP, QT, QTD, SN	
	13011-Z1C-800	RING SET, PISTON(0.25)(RIKEN)	(1)	-	-	-	-	1450800 QN, QP, QT, QTD, SN	
	13012-Z1C-800	RING SET, PISTON(0.50)(RIKEN)	(1)	-	-	-	-	1450800 QN, QP, QT, QTD, SN	
	13013-Z1C-800	RING SET, PISTON(0.75)(RIKEN)	(1)	-	-	-	-	1450800 QN, QP, QT, QTD, SN	
	13010-Z5R-004	RING SET, PISTON(STD.)(TEIKOKU)	1	-	-	-	-	1438370 LH, LHB5, LHP1, LP, LT, LXE9, PX, QH, QHB3, QHB5, QHP1, QMH, QX, QXE, QXEK, QXK, SH, SHE, SWE, SWX, SX, SXC, SXE, VSP, VTE5, VX, VXE, VXK, VXU1	
	13010-Z5T-003	RING SET, PISTON(STD.)(RIKEN)	1	-	-	-	-	1438370 LH, LHB5, LHP1, LP, LT, LXE9, PX, QH, QHB3, QHB5, QHP1, QMH, QX, QXE, QXEK, QXK, SH, SHE, SWE, SWX, SX, SXC, SXE, VSP, VTE5, VX, VXE, VXK, VXU1	
	13011-Z5R-004	RING SET, PISTON(0.25)(TEIKOKU)	(1)	-	-	-	-	1438370 LH, LHB5, LHP1, LP, LT, LXE9, PX, QH, QHB3, QHB5, QHP1, QMH, QX, QXE, QXEK, QXK, SH, SHE, SWE, SWX, SX, SXC, SXE, VSP, VTE5, VX, VXE, VXK, VXU1	

E-8

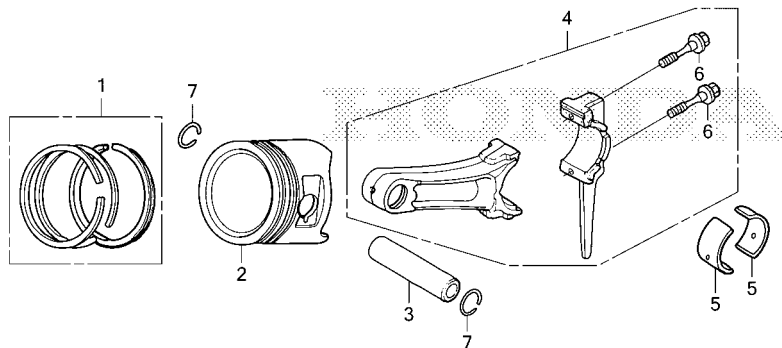
PISTON

Ref. No.	Part No.	Description	Reqd. QTY					Serial No.	Parts catalogue code
			GX 390 T1	GX 390 T2	GX 390 T2X	GX 390 UT2	GX 390 UT2X		
(1)	13011-25T-003	RING SET, PISTON(0.25)(RIKEN)	(1)	-	-	-	-	1438370	----- LH, LHB5, LHP1, LP, LT, LXE9, PX, QH, QHB3, QHB5, QHP1, QMH, QX, QXE QXEK, QXK, SH, SHE, SWE, SWX, SX, SXC, SXE, VSP, VTE5, VX, VXE, VXX VXU1
	13012-25R-004	RING SET, PISTON(0.50) (TEIKOKU)	(1)	-	-	-	-	1438370	----- LH, LHB5, LHP1, LP, LT, LXE9, PX, QH, QHB3, QHB5, QHP1, QMH, QX, QXE QXEK, QXK, SH, SHE, SWE, SWX, SX, SXC, SXE, VSP, VTE5, VX, VXE, VXX VXU1
	13012-25T-003	RING SET, PISTON(0.50)(RIKEN)	(1)	-	-	-	-	1438370	----- LH, LHB5, LHP1, LP, LT, LXE9, PX, QH, QHB3, QHB5, QHP1, QMH, QX, QXE QXEK, QXK, SH, SHE, SWE, SWX, SX, SXC, SXE, VSP, VTE5, VX, VXE, VXX VXU1
	13013-25R-004	RING SET, PISTON(0.75) (TEIKOKU)	(1)	-	-	-	-	1438370	----- LH, LHB5, LHP1, LP, LT, LXE9, PX, QH, QHB3, QHB5, QHP1, QMH, QX, QXE QXEK, QXK, SH, SHE, SWE, SWX, SX, SXC, SXE, VSP, VTE5, VX, VXE, VXX VXU1
	13013-25T-003	RING SET, PISTON(0.75)(RIKEN)	(1)	-	-	-	-	1438370	----- LH, LHB5, LHP1, LP, LT, LXE9, PX, QH, QHB3, QHB5, QHP1, QMH, QX, QXE QXEK, QXK, SH, SHE, SWE, SWX, SX, SXC, SXE, VSP, VTE5, VX, VXE, VXX VXU1
	13010-25R-004	RING SET, PISTON(STD.) (TEIKOKU)	1	-	-	-	-	1450801	----- QN, QP, QT, QTD, SN
	13010-25T-003	RING SET, PISTON(STD.) (RIKEN)	1	-	-	-	-	1450801	----- QN, QP, QT, QTD, SN
	13011-25R-004	RING SET, PISTON(0.25) (TEIKOKU)	(1)	-	-	-	-	1450801	----- QN, QP, QT, QTD, SN
	13011-25T-003	RING SET, PISTON(0.25) (RIKEN)	(1)	-	-	-	-	1450801	----- QN, QP, QT, QTD, SN
	13012-25R-004	RING SET, PISTON(0.50) (TEIKOKU)	(1)	-	-	-	-	1450801	----- QN, QP, QT, QTD, SN
	13012-25T-003	RING SET, PISTON(0.50) (RIKEN)	(1)	-	-	-	-	1450801	----- QN, QP, QT, QTD, SN
	13013-25R-004	RING SET, PISTON(0.75) (TEIKOKU)	(1)	-	-	-	-	1450801	----- QN, QP, QT, QTD, SN
	13013-25T-003	RING SET, PISTON(0.75) (RIKEN)	(1)	-	-	-	-	1450801	----- QN, QP, QT, QTD, SN
	13010-25R-004	RING SET, PISTON(STD.) (TEIKOKU)	-	1	-	-	-	-----	----- EDS1, EDS5, EDT1, EDT5, ES2, ES5, EWS1, EWS3, EWS4, EWS5, EZD5, EZDS EZS4, EZS5, LBH, LBHB, LBHS, LEAJ, LH, LH2, LHB5, LHP1, LTK1, LWD LWD1, LWP1, LXE5, LXE9, LXQ5, PKT5, PX, PXE5, PXU5, QA25, QAA5, QAPW QAPW/A, QBE1, QBE1/A, QBH, QBHS, QBHZ, QBL5, QBS, QBS1, QC1, QC2 QC55, QC95, QCT, QCWE, QH, QHB1, QHB1/A, QHB2, QHB2/A, QHB3, QHB5 QHP1, QHT, QHT1, QHTN, QK45, QKA5, QMH, QN, QNG, QNR5, QP, QPW, QTD QTE, QTG, QTN, QX, QX5, QXA5, QXB5, QXE, QXE5, QXEK, QXG, QXK, QXQ5 QXU5, QZSD, QZSL, SC15, SC5, SCM5, SEM, SH, SHMV, SJG, SM11, SME5 SMEJ, SMM, SMT, STCH, SWA5, SWD4, SWDH, SWDL, SWE2, SWSC, SWX, SWX2 SX, SX5, SXC, SXE5, SXX, SXX1, SXQ5, SZSK, VEP5, VMQ3, VMT, VMT2 VMT3, VPX5, VPXP, VPXP/A, VS15, VS3, VS4, VS5, VS6, VSB3, VSB4, VSD5 VSEP, VSP, VSP/A, VTE5, VMC5, VWE5, VWT5, VX, VXB5, VXE, VXE5, VXG VXH, VXX, VXU1, VZKK, VZS5, VZS6, VZX
	13011-25R-004	RING SET, PISTON(0.25) (TEIKOKU)	-	(1)	-	-	-	-----	----- EDS1, EDS5, EDT1, EDT5, ES2, ES5, EWS1, EWS3, EWS4, EWS5, EZD5, EZDS EZS4, EZS5, LBH, LBHB, LBHS, LEAJ, LH, LH2, LHB5, LHP1, LTK1, LWD LWD1, LWP1, LXE5, LXE9, LXQ5, PKT5, PX, PXE5, PXU5, QA25, QAA5, QBE1 QBE1/A, QBH, QBHS, QBHZ, QBL5, QBS, QBS1, QC1, QC2, QC55, QC95, QCT QCWE, QH, QHB1, QHB1/A, QHB2, QHB2/A, QHB3, QHB5, QHP1, QHT, QHT1 QHTN, QK45, QKA5, QMH, QN, QNG, QNR5, QP, QTD, QTE, QTG, QTN, QX, QX5 QXA5, QXB5, QXE, QXE5, QXEK, QXG, QXK, QXQ5, QXU5, QZSD, QZSL, SC15 SC5, SCM5, SEM, SH, SHMV, SJG, SM11, SME5, SMEJ, SMM, SMT, STCH SWA5, SWD4, SWDH, SWDL, SWE2, SWSC, SWX, SWX2, SX, SX5, SXC, SXE5 SXX, SXX1, SXQ5, SZSK, VEP5, VMQ3, VMT, VMT2, VMT3, VPX5, VPXP VPXP/A, VS15, VS3, VS4, VS5, VS6, VSB3, VSB4, VSD5, VSEP, VSP, VSP/A VTE5, VMC5, VWE5, VWT5, VX, VXB5, VXE, VXE5, VXG, VXH, VXX, VXU1 VZKK, VZS5, VZS6, VZX



E-8

PISTON



FR. →
Z1C0E0800B

Ref. No.	Part No.	Description	Reqd. QTY					Serial No.	Parts catalogue code
			GX 390 T1	GX 390 T2	GX 390 T2X	GX 390 UT2	GX 390 UT2X		
(1)	13012-Z5R-004	RING SET, PISTON(0.50) (TEIKOKU)	-	(1)	-	-	-	EDS1, EDS5, EDT1, EDT5, ES2, ES5, EWS1, EWS3, EWS4, EWS5, EZD5, EZDS, EZS4, EZS5, LBH, LBHB, LBHS, LEAJ, LH, LH2, LHB5, LHP1, LTK1, LWD, LWD1, LWP1, LXE5, LXE9, LXQ5, PKT5, PX, PXE5, PXU5, QA25, QAA5, QBE1, QBE1/A, QBH, QBHS, QBHZ, QBL5, QBS, QBS1, QC1, QC2, QC55, QC95, QCT, QCWE, QH, QHB1, QHB1/A, QHB2, QHB2/A, QHB3, QHB5, QHP1, QHT, QHT1, QHTN, QK45, QKA5, QMH, QN, QNG, QNR5, QP, QTD, QTE, QTG, QTN, QX, QX5, QXA5, QXB5, QXE, QXE5, QXEK, QXG, QXK, QXQ5, QXU5, QZSD, QZSL, SC15, SC5, SCM5, SEM, SH, SHMV, SJG, SM11, SME5, SMEJ, SMM, SMTP, STCH, SWA5, SWD4, SWDH, SWDL, SWE2, SWSC, SWX, SWX2, SX, SX5, SXC, SXE5, SXX, SXX1, SXQ5, SZSK, VEP5, VMQ3, VMT, VMT2, VMT3, VPX5, VPXP, VPXP/A, VS15, VS3, VS4, VS5, VS6, VSB3, VSB4, VSD5, VSEP, VSP, VSP/A, VTE5, VWC5, VWE5, VWT5, VX, VXB5, VXE, VXE5, VXG, VXH, VXX, VXU1, VZKK, VZS5, VZS6, VZX	
	13013-Z5R-004	RING SET, PISTON(0.75) (TEIKOKU)	-	(1)	-	-	-	EDS1, EDS5, EDT1, EDT5, ES2, ES5, EWS1, EWS3, EWS4, EWS5, EZD5, EZDS, EZS4, EZS5, LBH, LBHB, LBHS, LEAJ, LH, LH2, LHB5, LHP1, LTK1, LWD, LWD1, LWP1, LXE5, LXE9, LXQ5, PKT5, PX, PXE5, PXU5, QA25, QAA5, QBE1, QBE1/A, QBH, QBHS, QBHZ, QBL5, QBS, QBS1, QC1, QC2, QC55, QC95, QCT, QCWE, QH, QHB1, QHB1/A, QHB2, QHB2/A, QHB3, QHB5, QHP1, QHT, QHT1, QHTN, QK45, QKA5, QMH, QN, QNG, QNR5, QP, QTD, QTE, QTG, QTN, QX, QX5, QXA5, QXB5, QXE, QXE5, QXEK, QXG, QXK, QXQ5, QXU5, QZSD, QZSL, SC15, SC5, SCM5, SEM, SH, SHMV, SJG, SM11, SME5, SMEJ, SMM, SMTP, STCH, SWA5, SWD4, SWDH, SWDL, SWE2, SWSC, SWX, SWX2, SX, SX5, SXC, SXE5, SXX, SXX1, SXQ5, SZSK, VEP5, VMQ3, VMT, VMT2, VMT3, VPX5, VPXP, VPXP/A, VS15, VS3, VS4, VS5, VS6, VSB3, VSB4, VSD5, VSEP, VSP, VSP/A, VTE5, VWC5, VWE5, VWT5, VX, VXB5, VXE, VXE5, VXG, VXH, VXX, VXU1, VZKK, VZS5, VZS6, VZX	

E-8

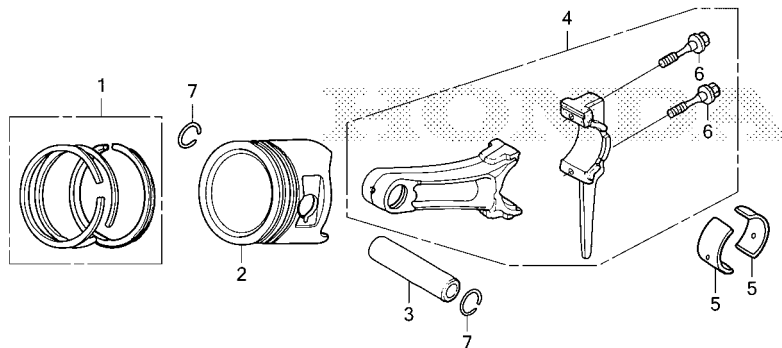
PISTON

Ref. No.	Part No.	Description	Reqd. QTY					Serial No.	Parts catalogue code
			GX 390 T1	GX 390 T2	GX 390 T2X	GX 390 UT2	GX 390 UT2X		
(1)	13010-Z5T-003	RING SET, PISTON(STD.)(RIKEN)	-	1	-	-	-	EDS1, EDS5, EDT1, EDT5, ES2, ES5, EWS1, EWS3, EWS4, EWS5, EZD5, EZDS, EZS4, EZS5, LBH, LBHB, LBHS, LEAJ, LH, LH2, LHB5, LHP1, LTK1, LWD, LWP1, LXE5, LXE9, LXQ5, PKT5, PX, PXE5, PXU5, QA25, QAA5, QAPW, QAPW/A, QBE1, QBE1/A, QBH, QBHS, QBHZ, QBL5, QBS, QBS1, QC1, QC2, QC55, QC95, QCT, QCWE, QH, QHB1, QHB1/A, QHB2, QHB2/A, QHB3, QHB5, QHP1, QHT, QHT1, QHTN, QK45, QKA5, QMH, QN, QNG, QNR5, QP, QTD, QTE, QTG, QTN, QX, QX5, QXA5, QXB5, QXE, QXE5, QXEK, QXG, QXK, QXQ5, QXU5, QZSD, QZSL, SC15, SC5, SCM5, SEM, SH, SHMV, SJG, SM11, SME5, SMEJ, SMM, STCH, SWA5, SWD4, SWDH, SWDL, SWE2, SWSC, SWX, SWX2, SX, SX5, SXC, SXE5, SXQ5, SZSK, VEP5, VMQ3, VMT, VMT2, VMT3, VPX5, VPXP, VPXP/A, VS15, VS3, VS4, VS5, VS6, VSB3, VSB4, VSD5, VSEP, VSP, VSP/A, VTE5, VMC5, VME5, VWT5, VX, VXB5, VXE, VXE5, VXG, VXH, VVK, VXU1, VZKK, VZS5, VZS6, VZX	
	13011-Z5T-003	RING SET, PISTON(0.25)(RIKEN)	-	(1)	-	-	-	EDS1, EDS5, EDT1, EDT5, ES2, ES5, EWS1, EWS3, EWS4, EWS5, EZD5, EZDS, EZS4, EZS5, LBH, LBHB, LBHS, LEAJ, LH, LH2, LHB5, LHP1, LTK1, LWD, LWP1, LXE5, LXE9, LXQ5, PKT5, PX, PXE5, PXU5, QA25, QAA5, QBE1, QBE1/A, QBH, QBHS, QBHZ, QBL5, QBS, QBS1, QC1, QC2, QC55, QC95, QCT, QCWE, QH, QHB1, QHB1/A, QHB2, QHB2/A, QHB3, QHB5, QHP1, QHT, QHT1, QHTN, QK45, QKA5, QMH, QN, QNG, QNR5, QP, QTD, QTE, QTG, QTN, QX, QX5, QXA5, QXB5, QXE, QXE5, QXEK, QXG, QXK, QXQ5, QXU5, QZSD, QZSL, SC15, SC5, SCM5, SEM, SH, SHMV, SJG, SM11, SME5, SMEJ, SMM, STCH, SWA5, SWD4, SWDH, SWDL, SWE2, SWSC, SWX, SWX2, SX, SX5, SXC, SXE5, SXQ5, SZSK, VEP5, VMQ3, VMT, VMT2, VMT3, VPX5, VPXP, VPXP/A, VS15, VS3, VS4, VS5, VS6, VSB3, VSB4, VSD5, VSEP, VSP, VSP/A, VTE5, VMC5, VME5, VWT5, VX, VXB5, VXE, VXE5, VXG, VXH, VVK, VXU1, VZKK, VZS5, VZS6, VZX	
	13012-Z5T-003	RING SET, PISTON(0.50)(RIKEN)	-	(1)	-	-	-	EDS1, EDS5, EDT1, EDT5, ES2, ES5, EWS1, EWS3, EWS4, EWS5, EZD5, EZDS, EZS4, EZS5, LBH, LBHB, LBHS, LEAJ, LH, LH2, LHB5, LHP1, LTK1, LWD, LWP1, LXE5, LXE9, LXQ5, PKT5, PX, PXE5, PXU5, QA25, QAA5, QBE1, QBE1/A, QBH, QBHS, QBHZ, QBL5, QBS, QBS1, QC1, QC2, QC55, QC95, QCT, QCWE, QH, QHB1, QHB1/A, QHB2, QHB2/A, QHB3, QHB5, QHP1, QHT, QHT1, QHTN, QK45, QKA5, QMH, QN, QNG, QNR5, QP, QTD, QTE, QTG, QTN, QX, QX5, QXA5, QXB5, QXE, QXE5, QXEK, QXG, QXK, QXQ5, QXU5, QZSD, QZSL, SC15, SC5, SCM5, SEM, SH, SHMV, SJG, SM11, SME5, SMEJ, SMM, STCH, SWA5, SWD4, SWDH, SWDL, SWE2, SWSC, SWX, SWX2, SX, SX5, SXC, SXE5, SXQ5, SZSK, VEP5, VMQ3, VMT, VMT2, VMT3, VPX5, VPXP, VPXP/A, VS15, VS3, VS4, VS5, VS6, VSB3, VSB4, VSD5, VSEP, VSP, VSP/A, VTE5, VMC5, VME5, VWT5, VX, VXB5, VXE, VXE5, VXG, VXH, VVK, VXU1, VZKK, VZS5, VZS6, VZX	
	13013-Z5T-003	RING SET, PISTON(0.75)(RIKEN)	-	(1)	-	-	-	EDS1, EDS5, EDT1, EDT5, ES2, ES5, EWS1, EWS3, EWS4, EWS5, EZD5, EZDS, EZS4, EZS5, LBH, LBHB, LBHS, LEAJ, LH, LH2, LHB5, LHP1, LTK1, LWD, LWP1, LXE5, LXE9, LXQ5, PKT5, PX, PXE5, PXU5, QA25, QAA5, QBE1, QBE1/A, QBH, QBHS, QBHZ, QBL5, QBS, QBS1, QC1, QC2, QC55, QC95, QCT, QCWE, QH, QHB1, QHB1/A, QHB2, QHB2/A, QHB3, QHB5, QHP1, QHT, QHT1, QHTN, QK45, QKA5, QMH, QN, QNG, QNR5, QP, QTD, QTE, QTG, QTN, QX, QX5, QXA5, QXB5, QXE, QXE5, QXEK, QXG, QXK, QXQ5, QXU5, QZSD, QZSL, SC15, SC5, SCM5, SEM, SH, SHMV, SJG, SM11, SME5, SMEJ, SMM, STCH, SWA5, SWD4, SWDH, SWDL, SWE2, SWSC, SWX, SWX2, SX, SX5, SXC, SXE5, SXQ5, SZSK, VEP5, VMQ3, VMT, VMT2, VMT3, VPX5, VPXP, VPXP/A, VS15, VS3, VS4, VS5, VS6, VSB3, VSB4, VSD5, VSEP, VSP, VSP/A, VTE5, VMC5, VME5, VWT5, VX, VXB5, VXE, VXE5, VXG, VXH, VVK, VXU1, VZKK, VZS5, VZS6, VZX	
	13010-Z1C-901	RING SET, PISTON(STD.)	-	1	-	-	-	LBD, LBP, QBD, QBL, QBP, QBT	
	13011-Z1C-901	RING SET, PISTON(0.25)	-	(1)	-	-	-	LBD, LBP, QBD, QBL, QBP, QBT	
	13012-Z1C-901	RING SET, PISTON(0.50)	-	(1)	-	-	-	LBD, LBP, QBD, QBL, QBP, QBT	
	13013-Z1C-901	RING SET, PISTON(0.75)	-	(1)	-	-	-	LBD, LBP, QBD, QBL, QBP, QBT	
2	13101-Z5T-000	PISTON(STD.)	-	1	-	-	-	LBH, LBHB, LBHS, QAPW, QBE1, QBH, QBHS, QBS, QHB1, QTN, VVK2	
	13102-Z5T-000	PISTON(0.25)	-	(1)	-	-	-	LBH, LBHB, LBHS, QAPW, QBE1, QBH, QBHS, QBS, QHB1, QTN, VVK2	
	13103-Z5T-000	PISTON(0.50)	-	(1)	-	-	-	LBH, LBHB, LBHS, QAPW, QBE1, QBH, QBHS, QBS, QHB1, QTN, VVK2	
	13104-Z5T-000	PISTON(0.75)	-	(1)	-	-	-	LBH, LBHB, LBHS, QAPW, QBE1, QBH, QBHS, QBS, QHB1, QTN, VVK2	



E-8

PISTON



FR. →
Z1C0E0800B

Ref. No.	Part No.	Description	Reqd. QTY					Serial No.	Parts catalogue code
			GX 390 T1	GX 390 T2	GX 390 T2X	GX 390 UT2	GX 390 UT2X		
(2)	13101-ZF6-W00	PISTON(STD.)	1	-	-	-	-	LXE8, LXU, PXE8, PXU, QA2, QA26, QAA2, QAA6, QXE8, QXQ4, QXU, SXE8, SXQ4, VX8, VXE8	
	13102-ZF6-W00	PISTON(0.25)	(1)	-	-	-	-	LXE8, LXU, PXE8, PXU, QA2, QA26, QAA2, QAA6, QXE8, QXQ4, QXU, SXE8, SXQ4, VX8, VXE8	
	13103-ZF6-W00	PISTON(0.50)	(1)	-	-	-	-	LXE8, LXU, PXE8, PXU, QA2, QA26, QAA2, QAA6, QXE8, QXQ4, QXU, SXE8, SXQ4, VX8, VXE8	
	13104-ZF6-W00	PISTON(0.75)	(1)	-	-	-	-	LXE8, LXU, PXE8, PXU, QA2, QA26, QAA2, QAA6, QXE8, QXQ4, QXU, SXE8, SXQ4, VX8, VXE8	
	13101-ZF6-811	PISTON(STD.)	1	-	-	-	-	QBLS	
	13102-ZF6-811	PISTON(0.25)	(1)	-	-	-	-	QBLS	
	13103-ZF6-811	PISTON(0.50)	(1)	-	-	-	-	QBLS	
	13104-ZF6-811	PISTON(0.75)	(1)	-	-	-	-	QBLS	
	13102-ZF6-W00	PISTON(0.25)	(1)	-	-	-	1438369	LH, LHB5, LHP1, LP, LT, LXE9, PX, QH, QHB3, QHB5, QHP1, QMH, QX, QXE, QXEK, QXK, SH, SHE, SN, SWE, SWX, SX, SXC, SXE, VSP, VTE5, VX, VXE, VXX, VXU1	
	13103-ZF6-W00	PISTON(0.50)	(1)	-	-	-	1438369	LH, LHB5, LHP1, LP, LT, LXE9, PX, QH, QHB3, QHB5, QHP1, QMH, QX, QXE, QXEK, QXK, SH, SHE, SN, SWE, SWX, SX, SXC, SXE, VSP, VTE5, VX, VXE, VXX, VXU1	
	13104-ZF6-W00	PISTON(0.75)	(1)	-	-	-	1438369	LH, LHB5, LHP1, LP, LT, LXE9, PX, QH, QHB3, QHB5, QHP1, QMH, QX, QXE, QXEK, QXK, SH, SHE, SN, SWE, SWX, SX, SXC, SXE, VSP, VTE5, VX, VXE, VXX, VXU1	
	13101-ZF6-W00	PISTON(STD.)	1	-	-	-	1438369	LH, LHB5, LHP1, LP, LT, LXE9, PX, QH, QHB3, QHB5, QHP1, QMH, QX, QXE, QXEK, QXK, SH, SHE, SWE, SWX, SX, SXC, SXE, VSP, VTE5, VX, VXE, VXX, VXU1	
	13101-ZF6-W01	PISTON(STD.)	1	-	-	-	1442429	ES2, ES3, LH2, SWE2, SWX2, VMQ3, VMT2, VMT3, VS4, VS6, VSB4, VSB5	
	13102-ZF6-W01	PISTON(0.25)	(1)	-	-	-	1442429	ES2, ES3, LH2, SWE2, SWX2, VMQ3, VMT2, VMT3, VS4, VS6, VSB4, VSB5	
	13103-ZF6-W01	PISTON(0.50)	(1)	-	-	-	1442429	ES2, ES3, LH2, SWE2, SWX2, VMQ3, VMT2, VMT3, VS4, VS6, VSB4, VSB5	
	13104-ZF6-W01	PISTON(0.75)	(1)	-	-	-	1442429	ES2, ES3, LH2, SWE2, SWX2, VMQ3, VMT2, VMT3, VS4, VS6, VSB4, VSB5	
	13101-ZF6-810	PISTON(STD.)	1	-	-	-	1450800	QN, QP, QT, QTD, SN	



E-8

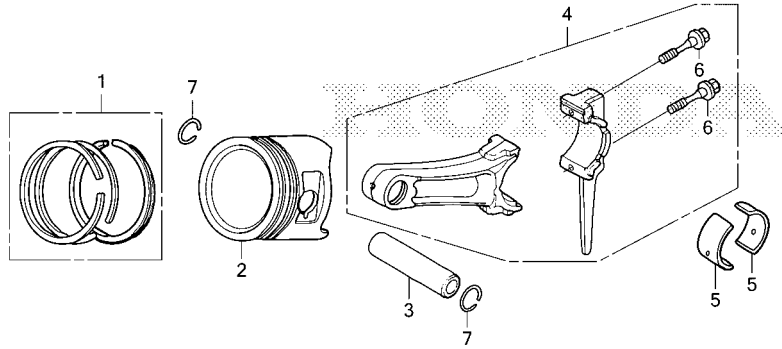
PISTON

Ref. No.	Part No.	Description	Reqd. QTY					Serial No.	Parts catalogue code
			GX 390 T1	GX 390 T2	GX 390 T2X	GX 390 UT2	GX 390 UT2X		
(2)	13102-ZF6-810	PISTON(0.25).....	(1)	-	-	-	-	1450800 QN, QP, QT, QTD, SN	
	13103-ZF6-810	PISTON(0.50).....	(1)	-	-	-	-	1450800 QN, QP, QT, QTD, SN	
	13104-ZF6-810	PISTON(0.75).....	(1)	-	-	-	-	1450800 QN, QP, QT, QTD, SN	
	13101-Z5T-000	PISTON(STD.).....	1	-	-	-	-	1438370 ----- LH, LHB5, LHP1, LP, LT, LXE9, PX, QH, QHB3, QHB5, QHP1, QMH, QX, QXE QXEK, QXK, SH, SHE, SWE, SWX, SX, SXC, SXE, VSP, VTE5, VX, VXE, VXX VXU1	
	13102-Z5T-000	PISTON(0.25).....	(1)	-	-	-	-	1438370 ----- LH, LHB5, LHP1, LP, LT, LXE9, PX, QH, QHB3, QHB5, QHP1, QMH, QX, QXE QXEK, QXK, SH, SHE, SWE, SWX, SX, SXC, SXE, VSP, VTE5, VX, VXE, VXX VXU1	
	13103-Z5T-000	PISTON(0.50).....	(1)	-	-	-	-	1438370 ----- LH, LHB5, LHP1, LP, LT, LXE9, PX, QH, QHB3, QHB5, QHP1, QMH, QX, QXE QXEK, QXK, SH, SHE, SWE, SWX, SX, SXC, SXE, VSP, VTE5, VX, VXE, VXX VXU1	
	13104-Z5T-000	PISTON(0.75).....	(1)	-	-	-	-	1438370 ----- LH, LHB5, LHP1, LP, LT, LXE9, PX, QH, QHB3, QHB5, QHP1, QMH, QX, QXE QXEK, QXK, SH, SHE, SWE, SWX, SX, SXC, SXE, VSP, VTE5, VX, VXE, VXX VXU1	
	13101-Z5T-000	PISTON(STD.).....	1	-	-	-	-	1442430 ----- ES2, ES3, LH2, SWE2, SWX2, VMQ3, VMT2, VMT3, VS4, VS6, VSB4, VSB5	
	13102-Z5T-000	PISTON(0.25).....	(1)	-	-	-	-	1442430 ----- ES2, ES3, LH2, SWE2, SWX2, VMQ3, VMT2, VMT3, VS4, VS6, VSB4, VSB5	
	13103-Z5T-000	PISTON(0.50).....	(1)	-	-	-	-	1442430 ----- ES2, ES3, LH2, SWE2, SWX2, VMQ3, VMT2, VMT3, VS4, VS6, VSB4, VSB5	
	13104-Z5T-000	PISTON(0.75).....	(1)	-	-	-	-	1442430 ----- ES2, ES3, LH2, SWE2, SWX2, VMQ3, VMT2, VMT3, VS4, VS6, VSB4, VSB5	
	13101-ZF6-811	PISTON(STD.).....	1	-	-	-	-	1450801 ----- QN, QP, QT, QTD, SN	
	13102-ZF6-811	PISTON(0.25).....	(1)	-	-	-	-	1450801 ----- QN, QP, QT, QTD, SN	
	13103-ZF6-811	PISTON(0.50).....	(1)	-	-	-	-	1450801 ----- QN, QP, QT, QTD, SN	
	13104-ZF6-811	PISTON(0.75).....	(1)	-	-	-	-	1450801 ----- QN, QP, QT, QTD, SN	
	13101-Z1C-900	PISTON(STD.).....	-	1	-	1	1	----- EDS5, EDT5, EZD5, LBD, LBP, LEAJ, LFU, LXE5, LXQ5, PKT5, PXE5, PXU5 QA25, QAA5, QAPW/A, QBD, QBE1/A, QBH, QBL, QBP, QBS1, QBT, QC1, QC2 QC55, QC95, QCT, QCWE, QHB1/A, QHB2, QHB2/A, QHT, QHT1, QHTN, QK45 QKA5, QMAH, QMAH/A, QNG, QNR5, QPW, QTE, QTG, QX5, QXA5, QXB5, QXE5 QXG, QXQ5, QXU5, SC15, SC5, SCC, SCM5, SEM, SHMV, SME5, SMEJ, SMM STCH, SWA5, SWD4, SWDH, SWDL, SWSC, SX5, SXE5, SXQ5, SZSK, VEP5 VPX5, VPXP, VPXP/A, VS15, VSD5, VSEP, VSP/A, VWC5, VWE5, VWT5, VXB5 VXEH, VXG, VXH	
	13102-Z5T-800	PISTON(0.25).....	-	(1)	-	-	-	----- EDS1, EDS5, EDT1, EDT5, ES2, ES5, EWS1, EWS3, EWS4, EWS5, EZD5, EZDS EZS4, EZS5, LBD, LBH, LBHB, LBHS, LBP, LEAJ, LH, LH2, LHB5, LHP1 LTK1, LWD, LWD1, LWP1, LXE5, LXE9, LXQ5, PKT5, PX, PXE5, PXU5, QA25 QAA5, QBD, QBE1, QBE1/A, QBH, QBHS, QBHZ, QBL, QBL5, QBP, QBS, QBS1 QBT, QC1, QC2, QC55, QC95, QCT, QCWE, QH, QHB1, QHB1/A, QHB2, QHB2/A QHB3, QHB5, QHP1, QHT, QHT1, QHTN, QK45, QKA5, QMH, QN, QNG, QNR5, QP QTD, QTE, QTG, QTN, QX, QX5, QXA5, QXB5, QXE, QXE5, QXEK, QXG, QXK QXQ5, QXU5, QZSD, QZSL, SC15, SC5, SCM5, SEM, SH, SHMV, SJG, SM11 SME5, SMEJ, SMM, SMTP, STCH, SWA5, SWD4, SWDH, SWDL, SWE2, SWSC, SWX SWX2, SX, SX5, SXC, SXE5, SXX, SXX1, SXQ5, SZSK, VEP5, VMQ3, VMT VMT2, VMT3, VPX5, VPXP, VPXP/A, VS15, VS3, VS4, VS5, VS6, VSB3, VSB4 VSD5, VSEP, VSP, VSP/A, VTE5, VWC5, VWE5, VWT5, VX, VXB5, VXE, VXEH VXG, VXH, VXX, VXU1, VZKK, VZ55, VZ56, VZX	
	13103-Z5T-800	PISTON(0.50).....	-	(1)	-	-	-	----- EDS1, EDS5, EDT1, EDT5, ES2, ES5, EWS1, EWS3, EWS4, EWS5, EZD5, EZDS EZS4, EZS5, LBD, LBH, LBHB, LBHS, LBP, LEAJ, LH, LH2, LHB5, LHP1 LTK1, LWD, LWD1, LWP1, LXE5, LXE9, LXQ5, PKT5, PX, PXE5, PXU5, QA25 QAA5, QBD, QBE1, QBE1/A, QBH, QBHS, QBHZ, QBL, QBL5, QBP, QBS, QBS1 QBT, QC1, QC2, QC55, QC95, QCT, QCWE, QH, QHB1, QHB1/A, QHB2, QHB2/A QHB3, QHB5, QHP1, QHT, QHT1, QHTN, QK45, QKA5, QMH, QN, QNG, QNR5, QP QTD, QTE, QTG, QTN, QX, QX5, QXA5, QXB5, QXE, QXE5, QXEK, QXG, QXK QXQ5, QXU5, QZSD, QZSL, SC15, SC5, SCM5, SEM, SH, SHMV, SJG, SM11 SME5, SMEJ, SMM, SMTP, STCH, SWA5, SWD4, SWDH, SWDL, SWE2, SWSC, SWX SWX2, SX, SX5, SXC, SXE5, SXX, SXX1, SXQ5, SZSK, VEP5, VMQ3, VMT VMT2, VMT3, VPX5, VPXP, VPXP/A, VS15, VS3, VS4, VS5, VS6, VSB3, VSB4 VSD5, VSEP, VSP, VSP/A, VTE5, VWC5, VWE5, VWT5, VX, VXB5, VXE, VXEH VXG, VXH, VXX, VXU1, VZKK, VZ55, VZ56, VZX	



E-8

PISTON



FR. →
Z1C0E0800B

Ref. No.	Part No.	Description	Reqd. QTY					Serial No.	Parts catalogue code
			GX 390 T1	GX 390 T2	GX 390 T2X	GX 390 UT2	GX 390 UT2X		
(2)	13104-Z5T-800	PISTON(0.75).....	-	(1)	-	-	-	EDS1, EDS5, EDT1, EDT5, ES2, ES5, EWS1, EWS3, EWS4, EWS5, EZD5, EZDS4, EZS5, LBD, LBH, LBHB, LBHS, LBP, LEAJ, LH, LH2, LHB5, LHP1, LTK1, LWD, LWD1, LWP1, LXE5, LXE9, LXQ5, PKT5, PX, PXE5, PXU5, QAA5, QBD, QBE1, QBE1/A, QBH, QBHS, QBHZ, QBL, QBL5, QBP, QBS, QBS1, QBT, QC1, QC2, QC55, QC95, QCT, QCWE, QH, QHB1, QHB1/A, QHB2, QHB2/A, QHB3, QHB5, QHP1, QHT, QHT1, QHTN, QK45, QKA5, QMH, QN, QNG, QNR5, QP, QTD, QTE, QTG, QTN, QX, QX5, QXA5, QXB5, QXE, QXE5, QXEK, QXG, QXK, QXQ5, QXU5, QZSD, QZSL, SC15, SC5, SCM5, SEM, SH, SHMV, SJG, SM11, SME5, SMEJ, SMM, SMTP, STCH, SWA5, SWD4, SWDH, SWDL, SWE2, SWSC, SWX, SWX2, SX, SX5, SXC, SXE5, SXX, SXX1, SXQ5, SZSK, VEP5, VMQ3, VMT, VMT2, VMT3, VPX5, VPXP, VPXP/A, VS15, VS3, VS4, VS5, VS6, VSB3, VSB4, VSD5, VSEP, VSP, VSP/A, VTE5, VMC5, VWE5, VWT5, VX, VXB5, VXE, VXEH, VXG, VXH, VXX, VXU1, VZKK, VZS5, VZS6, VZX	
	13101-Z5T-800	PISTON(STD.).....	-	1	-	-	-	1458489 EDS1, EDT1, ES2, ES5, EWS1, EWS3, EWS4, EWS5, EZDS, EZS4, EZS5, LBH, LBHB, LBHS, LH, LH2, LHB5, LHP1, LTK1, LWD, LWD1, LWP1, LXE9, PX, QAPW, QBE1, QBH, QBHS, QBL5, QBS, QH, QHB1, QHB3, QHB5, QHP1, QMH, QN, QP, QTD, QTN, QX, QXE, QXEK, QXK, QZSD, QZSL, SH, SJG, SM11, SMTP, SWE2, SWX, SWX2, SX, SXC, SXX, SXX1, VMQ3, VMT, VMT2, VMT3, VS3, VS4, VS5, VS6, VSB3, VSB4, VSP, VTE5, VX, VXE, VXX, VXU1, VZKK, VZS5, VZS6, VZX	
	13101-Z1C-900	-	1	-	-	-	1458490 EDS1, EDT1, ES2, ES5, EWS1, EWS3, EWS4, EWS5, EZDS, EZS4, EZS5, LBH, LBHB, LBHS, LH, LH2, LHB5, LHP1, LTK1, LWD, LWD1, LWP1, LXE9, PX, QAPW, QBE1, QBH, QBHS, QBL5, QBS, QH, QHB1, QHB3, QHB5, QHP1, QMH, QN, QP, QTD, QTN, QX, QXE, QXEK, QXK, QZSD, QZSL, SH, SJG, SM11, SMTP, SWE2, SWX, SWX2, SX, SXC, SXX, SXX1, VMQ3, VMT, VMT2, VMT3, VS3, VS4, VS5, VS6, VSB3, VSB4, VSP, VTE5, VX, VXE, VXX, VXU1, VZKK, VZS5, VZS6, VZX	
3	13111-ZF6-W00	PIN, PISTON.....	-	-	1	-	-		

E-8

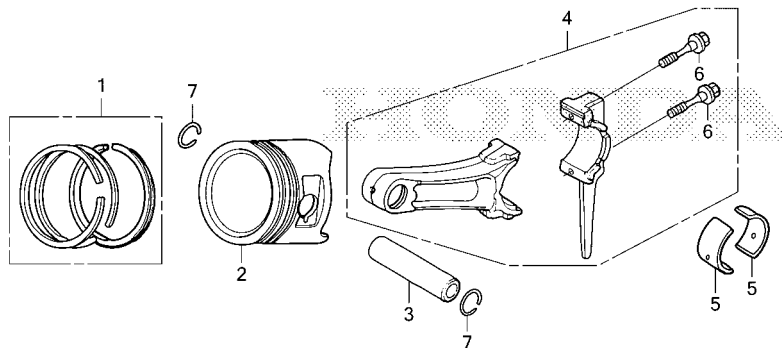
PISTON

Ref. No.	Part No.	Description	Reqd. QTY					Serial No.	Parts catalogue code
			GX 390 T1	GX 390 T2	GX 390 T2X	GX 390 UT2	GX 390 UT2X		
(3)	13111-Z5T-000	PIN, PISTON.....	-	1	1	1	1		
4	13200-Z1C-000	ROD ASSY., CONNECTING(STD.)..	1	-	-	-	-	-----	ES2, ES3, LBH, LBHB, LBHS, LH, LH2, LHB5, LHP1, LT, LXE8, LXE9, LXU PX, PXE8, PXU, QA2, QA26, QAA2, QAA6, QAPW, QBE1, QBH, QBHS, QBL S QBS, QH, QHB1, QHB3, QHB5, QHP1, QMH, QN, QP, QT, QTD, QTN, QX, QXE QXE8, QXEK, QXK, QXQ4, QXU, SH, SHE, SN, SWE, SWE2, SWX, SWX2, SX, SXC SXE, SXE8, SXQ4, VMQ3, VMT2, VMT3, VS4, VS6, VSB4, VSB5, VSP, VTE5 VX, VX8, VXE, VXE8, VXX, VXX2, VXU1
	13200-Z1C-305	ROD ASSY., CONNECTING (0.25 UNDER SIZE) (1)	-	-	-	-	-	-----	ES2, ES3, LBH, LBHB, LBHS, LH, LH2, LHB5, LHP1, LT, LXE8, LXE9, LXU PX, PXE8, PXU, QA2, QA26, QAA2, QAA6, QAPW, QBE1, QBH, QBHS, QBL S QBS, QH, QHB1, QHB3, QHB5, QHP1, QMH, QN, QP, QT, QTD, QTN, QX, QXE QXE8, QXEK, QXK, QXQ4, QXU, SH, SHE, SN, SWE, SWE2, SWX, SWX2, SX, SXC SXE, SXE8, SXQ4, VMQ3, VMT2, VMT3, VS4, VS6, VSB4, VSB5, VSP, VTE5 VX, VX8, VXE, VXE8, VXX, VXX2, VXU1
	13200-ZF6-000	ROD ASSY., CONNECTING.....	1	-	-	-	-	-----	LP
	13200-Z1C-900	ROD ASSY., CONNECTING(STD.)..	-	1	-	1	1	-----	EDS5, EDT5, EZD5, LBD, LBP, LEAJ, LFU, LXE5, LXQ5, PKT5, PXE5, PXU5 QA25, QAA5, QAPW/A, QBD, QBE1/A, QBH2, QBL, QBP, QBS1, QBT, QC1, QC2 QC55, QC95, QCT, QCWE, QHB1/A, QHB2, QHB2/A, QHT, QHT1, QHTN, QK45 QKA5, QMAH, QMAH/A, QNG, QNR5, QPW, QTE, QTG, QX5, QXA5, QXB5, QXE5 QXG, QXQ5, QXU5, SC15, SC5, SCC, SCM5, SEM, SHMV, SME5, SMEJ, SMM STCH, SWA5, SWD4, SWDH, SWDL, SWSC, SX5, SXE5, SXQ5, SZSK, VEP5 VPX5, VPXP, VPXP/A, VS15, VSD5, VSEP, VSP/A, VWC5, VWE5, VWT5, VXB5 VXEH, VXG, VXH
	13200-Z1C-305	ROD ASSY., CONNECTING (0.25 UNDER SIZE)	-	(1)	-	-	-	-----	EDS1, EDS5, EDT1, EDT5, ES2, ES5, EWS1, EWS3, EWS4, EWS5, EZD5, EZDS EZS4, EZS5, LBD, LBH, LBHB, LBHS, LBP, LEAJ, LH, LH2, LHB5, LHP1 LTK1, LWD, LWD1, LWP1, LXE5, LXE9, LXQ5, PKT5, PX, PXE5, PXU5, QA25 QAA5, QBD, QBE1, QBE1/A, QBH, QBHS, QBH2, QBL, QBL S, QBP, QBS, QBS1 QBT, QC1, QC2, QC55, QC95, QCT, QCWE, QH, QHB1, QHB1/A, QHB2, QHB2/A QHB3, QHB5, QHP1, QHT, QHT1, QHTN, QK45, QKA5, QMH, QN, QNG, QNR5, QP QTD, QTE, QTG, QTN, QX, QX5, QXA5, QXB5, QXE, QXE5, QXEK, QXG, QXK QXQ5, QXU5, QZSD, QZSL, SC15, SC5, SCM5, SEM, SH, SHMV, SJG, SM11 SME5, SMEJ, SMM, SMT P, STCH, SWA5, SWD4, SWDH, SWDL, SWE2, SWSC, SWX SWX2, SX, SX5, SXC, SXE5, SXX, SXX1, SXQ5, SZSK, VEP5, VMQ3, VMT VMT2, VMT3, VPX5, VPXP, VPXP/A, VS15, VS3, VS4, VS5, VS6, VSB3, VSB4 VSD5, VSEP, VSP, VSP/A, VTE5, VWC5, VWE5, VWT5, VX, VXB5, VXE, VXEH VXG, VXH, VXX, VXU1, VZKK, VZS5, VZS6, VZX
	13200-Z1C-000	ROD ASSY., CONNECTING(STD.)..	-	1	-	-	-	-----	1458489 EDS1, EDT1, ES2, ES5, EWS1, EWS3, EWS4, EWS5, EZDS, EZS4, EZS5, LBH LBHB, LBHS, LH, LH2, LHB5, LHP1, LTK1, LWD, LWD1, LWP1, LXE9, PX QAPW, QBE1, QBH, QBHS, QBL S, QBS, QH, QHB1, QHB3, QHB5, QHP1, QMH, QN QP, QTD, QTN, QX, QXE, QXEK, QXK, QZSD, QZSL, SH, SJG, SM11, SMT P SWE2, SWX, SWX2, SX, SXC, SXX, SXX1, VMQ3, VMT, VMT2, VMT3, VS3, VS4 VS5, VS6, VSB3, VSB4, VSP, VTE5, VX, VXE, VXX, VXU1, VZKK, VZS5, VZS6 VZX
	13200-Z1C-900	-	1	-	-	-	-----	1458490 EDS1, EDT1, ES2, ES5, EWS1, EWS3, EWS4, EWS5, EZDS, EZS4, EZS5, LBH LBHB, LBHS, LH, LH2, LHB5, LHP1, LTK1, LWD, LWD1, LWP1, LXE9, PX QAPW, QBE1, QBH, QBHS, QBL S, QBS, QH, QHB1, QHB3, QHB5, QHP1, QMH, QN QP, QTD, QTN, QX, QXE, QXEK, QXK, QZSD, QZSL, SH, SJG, SM11, SMT P SWE2, SWX, SWX2, SX, SXC, SXX, SXX1, VMQ3, VMT, VMT2, VMT3, VS3, VS4 VS5, VS6, VSB3, VSB4, VSP, VTE5, VX, VXE, VXX, VXU1, VZKK, VZS5, VZS6 VZX
5	13215-ZF6-003	BEARING A, CONNECTING ROD (BLUE)	-	-	1	-	-	-----	LP
	13216-ZF6-003	BEARING B, CONNECTING ROD (BLACK)	2	-	-	-	-	-----	LP
	13217-ZF6-003	BEARING C, CONNECTING ROD (BROWN)	2	-	-	-	-	-----	LP



E-8

PISTON

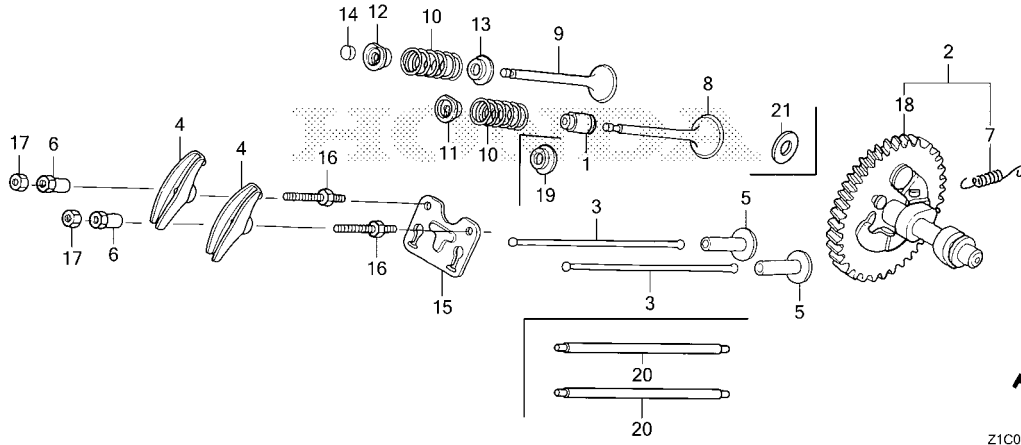


FR. →
Z1C0E0800B

Ref. No.	Part No.	Description	Reqd. QTY					Serial No.	Parts catalogue code
			GX 390 T1	GX 390 T2	GX 390 T2X	GX 390 UT2	GX 390 UT2X		
(5)	13218-ZF6-003	BEARING D, CONNECTING ROD (GREEN)	2	-	-	-	-	----- LP	
6	90001-ZE8-000	BOLT, CONNECTING ROD.....	2	2	2	2	2	----- EDS1, EDS5, EDT1, EDT5, ES2, ES3, ES5, EWS1, EWS3, EWS4, EWS5, EZD5, EZDS, EZS4, EZS5, LBD, LBH, LBHB, LBHS, LBP, LEAJ, LFU, LH, LH2, LHB5, LHP1, LT, LTK1, LWD, LWD1, LWP1, LXE5, LXE8, LXE9, LXQ5, LXU, PKT5, PX, PXE5, PXE8, PXU, PXU5, QA2, QA25, QA26, QAA2, QAA5, QAA6, QAPW, QAPW/A, QBD, QBE1, QBE1/A, QBH, QBHS, QBHZ, QBL, QBL5, QBP, QBS, QBS1, QBT, QC1, QC2, QC55, QC95, QCT, QCWE, QH, QHB1, QHB1/A, QHB2, QHB2/A, QHB3, QHB5, QHP1, QHT, QHT1, QHTN, QK45, QKA5, QMAH, QMAH/A, QMH, QN, QNG, QNR5, QP, QPW, QT, QTD, QTE, QTG, QTN, QX, QX5, QXA5, QXB5, QXE, QXE5, QXE8, QXEK, QXG, QXK, QXQ4, QXQ5, QXU, QXU5, QZSD, QZSL, SC15, SC5, SCC, SCM5, SEM, SH, SHE, SHMV, SJG, SM11, SME5, SMEJ, SMM, SMTP, SN, STCH, SWA5, SWD4, SWDH, SWDL, SWE, SWE2, SWSC, SWX, SWX2, SX, SX5, SXC, SXE, SXE5, SXE8, SXX, SXX1, SXQ4, SXQ5, SZSK, VEP5, VMQ3, VMT, VMT2, VMT3, VPX5, VPXP, VPXP/A, VS15, VS3, VS4, VS5, VS6, VSB3, VSB4, VSB5, VSD5, VSEP, VSP, VSP/A, VTE5, VWC5, VWE5, VWT5, VX, VX8, VXB5, VXE, VXE8, VXE8, VXG, VXH, VXX, VXX2, VXU1, VZKK, VZS5, VZS6, VZX	
	90001-ZF6-003	2	-	-	-	-	----- LP	
7	90601-ZE3-000	CLIP, PISTON PIN, 20MM.....	2	2	2	2	2	-----	

E-9

CAMSHAFT



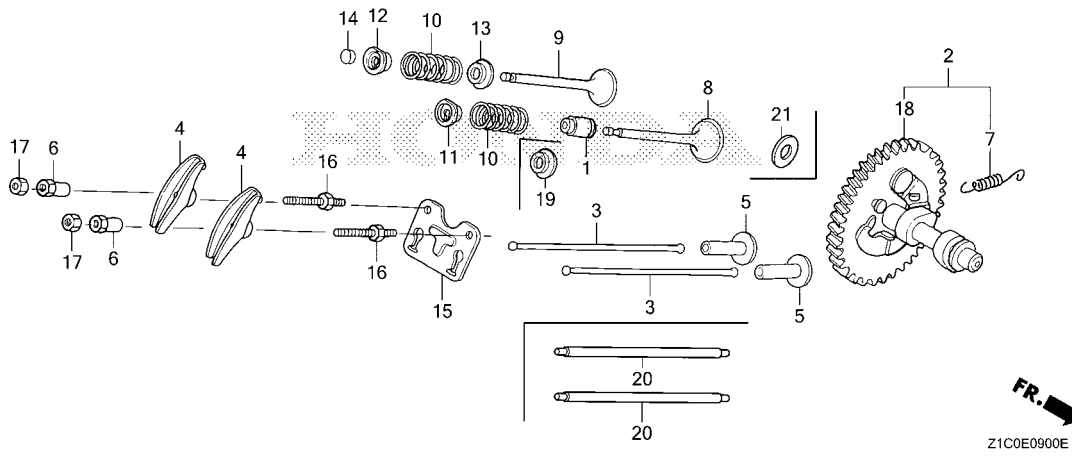
Ref. No.	L.O.N.	(Relative ref. Number) Description	F.R.T.
1	1111K2	SEAL, INTAKE VALVE STEMINCLUDES: Valve clearance adjustment (18)	0.6
2	1111C2	CAMSHAFTINCLUDES: Valve clearance adjustment (20)	0.4
3	1111L6	ROD, PUSH :INTAKEINCLUDES: Valve clearance adjustment	0.2
	1111L6A	.Replace exhaust push rod add	0.1
	1111L7	ROD, PUSH :EXHAUSTINCLUDES: Valve clearance adjustment	0.2
	1111L7A	.Replace intake push rod add	0.1
4	1111A2	ARM, ROCKER :INTAKEINCLUDES: Valve clearance adjustment	0.2
	1111A2A	.Replace exhaust rocker arm add	0.1
	1111A1	ARM, ROCKER :EXHAUSTINCLUDES: Valve clearance adjustment	0.2
	1111A1A	.Replace intake rocker arm add	0.1

Ref. No.	Part No.	Description	Reqd. QTY					Serial No.	Parts catalogue code
			GX 390 T1	GX 390 T2	GX 390 T2X	GX 390 UT2	GX 390 UT2X		
1	12209-ZE8-003	SEAL, VALVE STEM.....	1	1	1	1	1		
2	14100-Z1C-801	CAMSHAFT ASSY.	1	1	-	-	-	-----	LBH, LBHB, LBHS, QBH, QBHS, QBHZ, QBS1
	14100-ZF6-L02	1	1	-	-	-	-----	LP, SXX1
	14100-ZF6-W01	1	-	-	-	-	-----	ES2, ES3, LH, LH2, LHB5, LHP1, LT, LXE8, LXE9, LXU, PX, PXE8, PXU, QA2 QA26, QAA2, QAA6, QAPW, QBE1, QBL5, QBS, QH, QHB1, QHB3, QHB5, QHP1 QMH, QN, QP, QT, QTD, QTN, QX, QXE, QXE8, QXEK, QXK, QXQ4, QXU, SH, SHE SN, SWE, SWE2, SWX, SWX2, SX, SXC, SXE, SXE8, SXQ4, VMQ3, VMT2, VMT3 VS4, VS6, VSB4, VSB5, VSP, VTE5, VX, VX8, VXE, VXE8, VXK, VXK2, VXU1
	14100-Z1C-950	-	1	-	-	-	-----	LBD, LBP, QBD, QBL, QBP, QBT
	14100-Z1C-810	-	1	-	-	-	-----	SXX
	14100-Z5T-810	-	1	-	-	-	-----	1092052
		-	1	-	-	-	1171624 1346119	EDS1, EDT1, ES2, ES5, EWS1, EWS3, EWS4, EWS5, LH, LH2, LHB5, LHP1 LTK1, LWD, LWD1, LWP1, LXE9, PX, QAPW, QBE1, QBL5, QBS, QH, QHB1 QHB3, QHB5, QHP1, QMH, QN, QP, QTD, QTN, QX, QXE, QXEK, QXK, SH, S.JG SM11, SMTTP, SWE2, SWX, SWX2, SX, SXC, VMQ3, VMT, VMT2, VMT3, VS3, VS4 VS5, VS6, VSB3, VSB4, VSP, VTE5, VX, VXE, VXK, VXU1, VZKK, VZX



E-9

CAMSHAFT

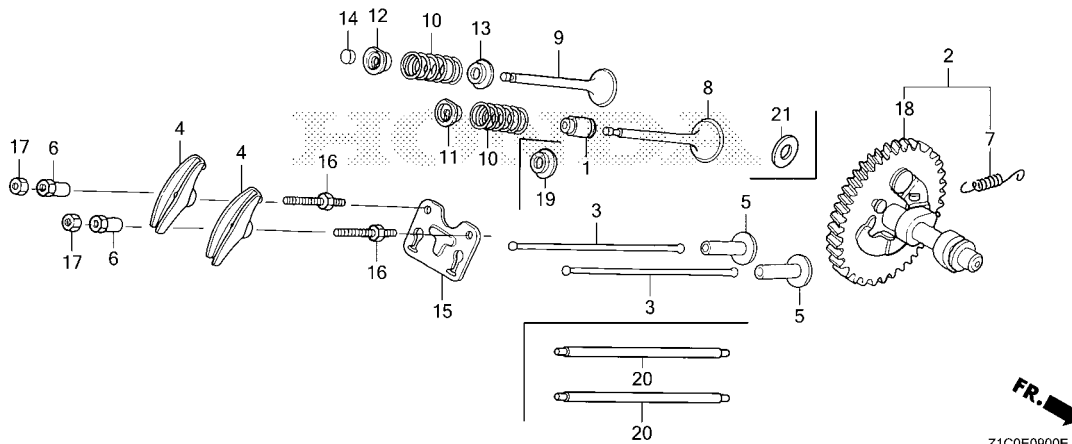


Ref. No.	L.O.N.	(Relative ref. Number) Description	F.R.T.
5	1111L9	LIFTER, VALVE :INTAKEINCLUDES: Valve clearance adjustment .NOTE: Same time for two units	0.4
	1111M0	LIFTER, VALVE :EXHAUSTINCLUDES: Valve clearance adjustment .NOTE: Same time for two units	0.4
8	1111L1	VALVE, INTAKEINCLUDES: Valve clearance adjustment and reface	0.7
	1111L1E	.Replace intake and exhaust all add	0.2
	1111L1H	.iGX type add	0.2
9	1111L0	VALVE, EXHAUSTINCLUDES: Valve clearance adjustment and reface	0.7
	1111L0E	.Replace intake and exhaust all add	0.2
	1111L0H	.iGX type add	0.2
10	1111P3	SPRING, VALVE :INTAKEINCLUDES: Valve clearance adjustment	0.6
	1111P3A	.Replace intake and exhaust all add	0.1

Ref. No.	Part No.	Description	Reqd. QTY					Serial No.	Parts catalogue code
			GX 390 T1	GX 390 T2	GX 390 T2X	GX 390 UT2	GX 390 UT2X		
3	14410-Z1C-000	ROD, PUSH	2	2	2	2	2	-----	EDS1,EDS5,EDT1,EDT5,ES2,ES3,ES5,EWS1,EWS3,EWS4,EWS5,EZD5,EZDS,EZS4,EZS5,LBD,LBH,LBHB,LBHS,LBP,LEAJ,LFU,LH,LH2,LHB5,LHP1,LP,LT,LTK1,LWD,LWD1,LWP1,LXE5,LXE8,LXE9,LXQ5,LXU PKT5,PX,PXE5,PXE8,PXU,PXU5,QA2,QA25,QA26,QAA2,QAA5,QAA6,QAPW,QAPW/A,QBD,QBE1,QBE1/A,QBH,QBHS,QBHZ,QBL,QBLS,QBP,QBS,QBS1,QBT,QC1,QC2,QC55,QC95,QCT,QCWE,QH,QHB1,QHB1/A,QHB2,QHB2/A,QHB3,QHB5,QHP1,QHT,QHT1,QHTN,QK45,QKA5,QMAH,QMAH/A,QMH,QN,QNR5,QP,QPW,QT,QTD,QTE,QTN,QX,QX5,QXA5,QXB5,QXE,QXE5,QXE8,QXEK,QXK,QXQ4,QXQ5,QXU,QXU5,QZSD,QZSL,SC15,SC5,SCC,SCM5,SEM,SH,SHE,SHMV,SJG,SM11,SME5,SMEJ,SMM,SMTSP,SN,STCH,SWA5,SWD4,SWDH,SWDL,SWE,SWE2,SWSC,SWX,SWX2,SWX,SXC,SXE,SXE5,SXE8,SXK,SXK1,SXQ4,SXQ5,SZSK,VMQ3,VMT,VMT2,VMT3,VS15,VS3,VS4,VS5,VS6,VS8,VS9,VS10,VS11,VSE,VSF,VSP,VSP/A,VTE5,VWC5,VWE5,VWT5,VX,VX8,VXE,VXE8,VXEH,VXH,VXK,VXK2,VXU1,VZKK,VZS5,VZS6,VZX
4	14431-ZE2-010	ARM, VALVE ROCKER	2	2	2	2	2		
5	14441-ZE2-000	LIFTER, VALVE	2	2	2	2	2		
6	14451-ZE1-013 14451-Z4M-000	PIVOT, ROCKER ARM	2	-	-	-	-	-----	EDS5,EDT5,EZD5,LBD,LBP,LEAJ,LFU,LXE5,LXQ5,PKT5,PXE5,PXU5,QA25,QAA5,QAPW/A,QBD,QBE1/A,QBHZ,QBL,QBP,QBT,QC1,QC2,QC55,QC95,QCWE,QHB1/A,QHB2/A,QHTN,QK45,QKA5,QMAH,QMAH/A,QNG,QNR5,QPW,QTE,QTG,QX5,QXA5,QXB5,QXE5,QXG,QXQ5,QXU5,SC15,SC5,SCC,SCM5,SEM,SHMV,SME5,SMEJ,SMM,STCH,SWA5,SWD4,SWDH,SWDL,SWSC,SWX,SXE5,SXQ5,SZSK,VEP5,VPX5,VPXP,VPXP/A,VS15,VSD5,VSEP,VSP/A,VWC5,VWE5,VWT5,VXB5,VXEH,VXG,VXH

E-9

CAMSHAFT



Ref. No.	L.O.N.	(Relative ref. Number) Description	F.R.T.
+10	1111P3F	.iGX type add	0.2
	1111P4	SPRING, VALVE :EXHAUST	0.6
		.INCLUDES: Valve clearance adjustment	
	1111P4A	.Replace intake and exhaust all add	0.1
	1111P4F	.iGX type add	0.2
14	1111J7	ROTATOR, VALVE	0.2
		.INCLUDES: Valve clearance adjustment	

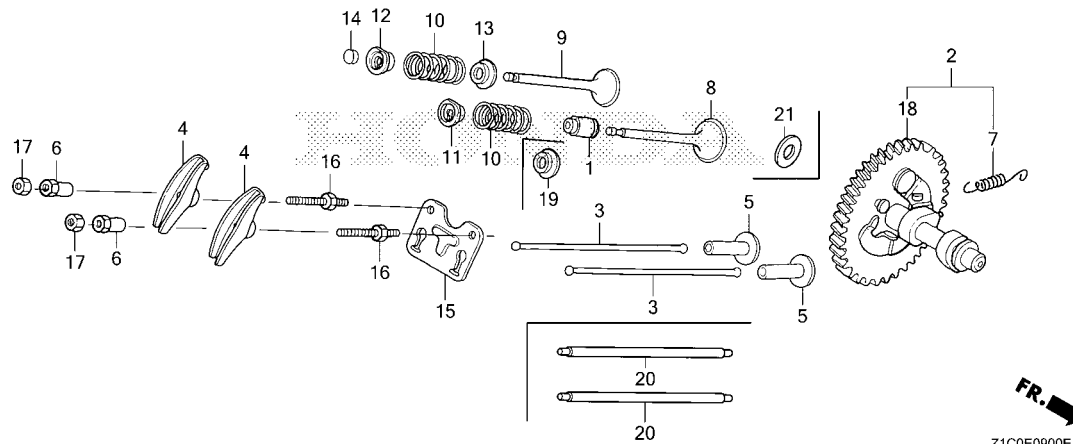
FR. →
Z1C0E0900E

Ref. No.	Part No.	Description	Reqd. QTY					Serial No.	Parts catalogue code
			GX 390 T1	GX 390 T2	GX 390 T2X	GX 390 UT2	GX 390 UT2X		
(6)	14451-ZE1-013	PIVOT, ROCKER ARM	-	2	-	-	-	1562505	EDS1, EDT1, ES2, ES5, EWS1, EWS3, EWS4, EWS5, EZDS, EZS4, EZS5, LBH LBHB, LBHS, LH, LH2, LHB5, LHP1, LTK1, LWD, LWD1, LWP1, LXE9, PX QAPW, QBE1, QBH, QBHS, QBLs, QBS, QBS1, QCT, QH, QHB1, QHB2, QHB3 QHB5, QHP1, QHT, QHT1, QMH, QN, QP, QTD, QTN, QX, QXE, QXEK, QXK, QZSD QZSL, SH, SJG, SM11, SMTP, SWE2, SWX, SWX2, SX, SXC, SXX, SXX1, VMQ3 VMT, VMT2, VMT3, VS3, VS4, VS5, VS6, VSB3, VSB4, VSP, VTE5, VX, VXE VXX, VXU1, VZKK, VZS5, VZS6, VZX
	14451-Z4M-000	-	2	-	-	-	1562506	EDS1, EDT1, ES2, ES5, EWS1, EWS3, EWS4, EWS5, EZDS, EZS4, EZS5, LBH LBHB, LBHS, LH, LH2, LHB5, LHP1, LTK1, LWD, LWD1, LWP1, LXE9, PX QAPW, QBE1, QBH, QBHS, QBLs, QBS, QBS1, QCT, QH, QHB1, QHB2, QHB3 QHB5, QHP1, QHT, QHT1, QMH, QN, QP, QTD, QTN, QX, QXE, QXEK, QXK, QZSD QZSL, SH, SJG, SM11, SMTP, SWE2, SWX, SWX2, SX, SXC, SXX, SXX1, VMQ3 VMT, VMT2, VMT3, VS3, VS4, VS5, VS6, VSB3, VSB4, VSP, VTE5, VX, VXE VXX, VXU1, VZKK, VZS5, VZS6, VZX
7	14568-Z1C-801	SPRING, WEIGHT RETURN	1	1	-	-	-	-	LBD, LBH, LBHB, LBHS, LBP, QBD, QBH, QBHS, QBHZ, QBL, QBP, QBS1, QBT LP, SXX1
	14568-ZE3-790	1	1	-	-	-	-	ES2, ES3, LH, LH2, LHB5, LHP1, LT, LXE8, LXE9, LXU, PX, PXE8, PXU, QA2 QA26, QAA2, QAA6, QAPW, QBE1, QBLs, QBS, QH, QHB1, QHB3, QHB5, QHP1 QMH, QN, QP, QT, QTD, QTN, QX, QXE, QXE8, QXEK, QXK, QXQ4, QXU, SH, SHE SN, SWE, SWE2, SWX, SWX2, SX, SXC, SXE, SXE8, SXQ4, VMQ3, VMT2, VMT3 VS4, VS6, VSB4, VSB5, VSP, VTE5, VX, VX8, VXE, VXE8, VXX, VXX2, VXU1 SXX
	14568-ZE1-000	1	-	-	-	-	-	
	14568-Z1C-810	-	1	-	-	-	-	



E-9

CAMSHAFT



Z1C0E0900E

Ref. No.	Part No.	Description	Reqd. QTY					Serial No.	Parts catalogue code
			GX 390 T1	GX 390 T2	GX 390 T2X	GX 390 UT2	GX 390 UT2X		
(7)	14568-ZE1-000	SPRING, WEIGHT RETURN	-	1	-	-	-	1092052	ES2, LH, LH2, LHB5, LHP1, LXE9, PX, QAPW, QBE1, QH, QHB1, QHB3, QHB5 QHP1, QMH, QN, QP, QTD, QX, QXE, QXEK, QXK, SH, SWE2, SWX, SWX2, SX SXC, VMQ3, VMT, VMT2, VSP, VTE5, VX, VXE, VXX, VXU1
			-	1	-	-	-	1171624	EDS1, EDT1, ES2, ES5, EWS1, EWS3, EWS4, EWS5, LH, LH2, LHB5, LHP1 LTK1, LWD, LWD1, LWP1, LXE9, PX, QAPW, QBE1, QBLS, QBS, QH, QHB1 QHB3, QHB5, QHP1, QMH, QN, QP, QTD, QTN, QX, QXE, QXEK, QXK, SH, S.JG SM11, SMTP, SWE2, SWX, SWX2, SX, SXC, VMQ3, VMT, VMT2, VMT3, VS3, VS4 VS5, VS6, VSB3, VSB4, VSP, VTE5, VX, VXE, VXX, VXU1, VZKK, VZX
8	14711-ZE3-000	VALVE, IN.	1	-	-	-	-		ES2, ES3, LH, LH2, LHB5, LHP1, LP, LT, LXE8, LXE9, LXU, PX, PXE8, PXU QA2, QA26, QAA2, QAA6, QAPW, QBE1, QBLS, QBS, QH, QHB1, QHB3, QHB5 QHP1, QMH, QN, QP, QT, QTD, QTN, QX, QXE, QXE8, QXEK, QXK, QXQ4, QXU SH, SHE, SN, SWE, SWE2, SWX, SWX2, SX, SXC, SXE, SXE8, SXQ4, VMQ3 VMT2, VMT3, VS4, VS6, VSB4, VSB5, VSP, VTE5, VX, VX8, VXE, VXE8, VXX VXX2, VXU1
	14711-Z1C-800	1	-	-	-	-		LBH, LBHB, LBHS, QBH, QBHS
	14711-Z5T-900	-	1	-	1	1		EDS5, EDT5, EZD5, LEAJ, LFU, LXE5, LXQ5, PKT5, PXE5, PXU5, QA25 QAA5, QAPW/A, QBE1/A, QBS1, QC1, QC2, QC55, QC95, QCT, QCWE, QHB1/A QHB2, QHB2/A, QHT, QHT1, QHTN, QK45, QKA5, QMAH, QMAH/A, QNR5, QPW QTE, QX5, QXA5, QXB5, QXE5, QXQ5, QXU5, QZSD, QZSL, SC15, SC5, SCC SCM5, SEM, SHMV, SME5, SMEJ, SMM, STCH, SWA5, SWD4, SWDH, SWDL, SWSC SX5, SXE5, SXQ5, SZSK, VEP5, VPX5, VPXP, VPXP/A, VS15, VSD5, VSEP VSP/A, VWC5, VWE5, VWT5, VXB5, VXEH, VXH
	14711-Z1C-810	-	1	-	-	-		LBD, LBH, LBHB, LBHS, LBP, QBD, QBH, QBHS, QBHZ, QBL, QBP, QBT
	14711-Z5T-800	-	1	-	-	-		QNG, QTG, QXG, SMTP, SXX1, VXG

E-9

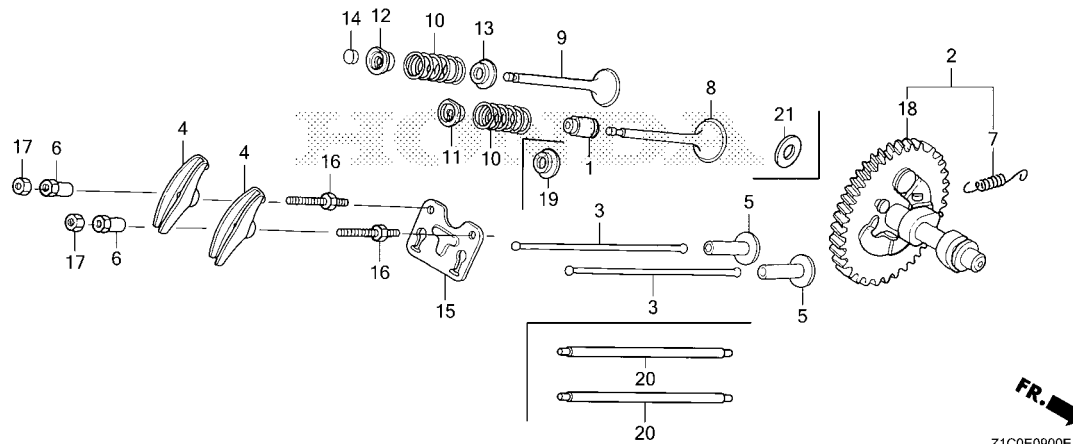
CAMSHAFT

Ref. No.	Part No.	Description	Reqd. QTY					Serial No.	Parts catalogue code
			GX 390 T1	GX 390 T2	GX 390 T2X	GX 390 UT2	GX 390 UT2X		
(8)	14711-25T-000	VALVE, IN.	-	1	-	-	-	1430823	EDS1, EDT1, ES2, ES5, EWS1, EWS3, EWS4, EWS5, EZDS, EZS4, EZS5, LH LH2, LHB5, LHP1, LTK1, LWD, LWD1, LWP1, LXE9, PX, QAPW, QBE1, QBLS QBS, QH, QHB1, QHB3, QHB5, QHP1, QMH, QN, QP, QTD, QTN, QX, QXE, QXEK QXK, SH, SJG, SM11, SWE2, SWX, SWX2, SX, SXC, SXK, VMQ3, VMT, VMT2 VMT3, VS3, VS4, VS5, VS6, VSB3, VSB4, VSP, VTE5, VX, VXE, VXX, VXU1 VZKK, VZS5, VZS6, VZX
	14711-25T-900	-	1	-	-	-	1430824	EDS1, EDT1, ES2, ES5, EWS1, EWS3, EWS4, EWS5, EZDS, EZS4, EZS5, LH LH2, LHB5, LHP1, LTK1, LWD, LWD1, LWP1, LXE9, PX, QAPW, QBE1, QBLS QBS, QH, QHB1, QHB3, QHB5, QHP1, QMH, QN, QP, QTD, QTN, QX, QXE, QXEK QXK, SH, SJG, SM11, SWE2, SWX, SWX2, SX, SXC, SXK, VMQ3, VMT, VMT2 VMT3, VS3, VS4, VS5, VS6, VSB3, VSB4, VSP, VTE5, VX, VXE, VXX, VXU1 VZKK, VZS5, VZS6, VZX
9	14721-ZE3-810	VALVE, EX.(STELLITE).....	-	-	1	-	-		ES2, ES3, VMQ3, VMT2, VMT3, VS4, VS6, VSB4, VSB5
	14721-ZE3-000	VALVE, EX.	1	-	-	-	-		LBH, LBHB, LBHS, LH, LH2, LHB5, LHP1, LT, LXE8, LXE9, LXU, PX, PXE8 PXU, QA2, QA26, QAA2, QAA6, QAPW, QBE1, QBH, QBHS, QBLS, QBS, QH QHB1, QHB3, QHB5, QHP1, QMH, QN, QP, QT, QTD, QTN, QX, QXE, QXE8, QXEK QXK, QXQ4, QXU, SH, SHE, SN, SWE, SWE2, SWX, SWX2, SX, SXC, SXE, SXE8 SXQ4, VSP, VTE5, VX, VX8, VXE, VXE8, VXX, VXX2, VXU1
	14721-ZK6-800	1	-	-	-	-		LP
	14721-Z5T-900	-	1	-	1	1		EZD5, LBD, LBP, LEAJ, LFU, LXE5, LXQ5, PKT5, PXE5, PXU5, QA25, QAA5 QAPW/A, QBD, QBE1/A, QBHZ, QBL, QBP, QBS1, QBT, QC1, QC2, QC55, QC95 QCT, QCWE, QHB1/A, QHB2, QHB2/A, QHT, QHT1, QHTN, QK45, QKA5, QMAH QMAH/A, QNR5, QPW, QTE, QX5, QXA5, QXB5, QXE5, QXQ5, QXU5, QZSD QZSL, SC15, SC5, SCC, SCM5, SEM, SHMV, SME5, SMEJ, SMM, STCH, SWA5 SWD4, SWDH, SWDL, SWSC, SX5, SXE5, SXQ5, SZSK, VEP5, VPX5, VPXP VPXP/A, VS15, VSD5, VSEP, VSP/A, VWC5, VWE5, VWT5, VXB5, VXE8, VXH
	14721-Z5T-800	VALVE, EX.(STELLITE).....	-	1	-	-	-		EDS1, EDS5, EDT1, EDT5, ES2, ES5, EWS1, EWS3, EWS4, EWS5, EZDS, EZS4 EZS5, VMQ3, VMT, VMT2, VMT3, VS3, VS4, VS5, VS6, VSB3, VSB4, VZS5 VZS6
	14721-Z1C-890	VALVE, EX.	-	1	-	-	-		QNG, QTG, QXG, VXG
	14721-ZK6-810	VALVE, EX.(CNG).....	-	1	-	-	-		SMTP, SXX1
	14721-Z5T-000	VALVE, EX.	-	1	-	-	-		VZX
	14721-Z5T-900	-	1	-	-	-	1430823	LBH, LBHB, LBHS, LH, LH2, LHB5, LHP1, LTK1, LWD, LWD1, LWP1, LXE9, PX QAPW, QBE1, QBH, QBHS, QBLS, QBS, QH, QHB1, QHB3, QHB5, QHP1, QMH, QN QP, QTD, QTN, QX, QXE, QXEK, QXK, SH, SJG, SM11, SWE2, SWX, SWX2, SX SXC, SXK, VSP, VTE5, VX, VXE, VXX, VXU1, VZKK, VZX
	14721-Z5T-900	-	1	-	-	-	1430824	LBH, LBHB, LBHS, LH, LH2, LHB5, LHP1, LTK1, LWD, LWD1, LWP1, LXE9, PX QAPW, QBE1, QBH, QBHS, QBLS, QBS, QH, QHB1, QHB3, QHB5, QHP1, QMH, QN QP, QTD, QTN, QX, QXE, QXEK, QXK, SH, SJG, SM11, SWE2, SWX, SWX2, SX SXC, SXK, VSP, VTE5, VX, VXE, VXX, VXU1, VZKK, VZX
10	14751-Z1C-000	SPRING, VALVE.....	-	-	1	-	-		
	14751-Z1C-000	2	2	2	2	2		
11	14771-Z8S-000	RETAINER, IN. VALVE SPRING...	1	-	-	1	1		ES2, ES3, LBH, LBHS, LFU, QMAH, QMAH/A, QTN, SCC, VMQ3, VMT2, VMT3 VS4, VS6, VSB4, VSB5, VXX2
	14771-ZE2-000	1	-	-	-	-		LXE8, LXU, PXE8, PXU, QA2, QA26, QAA2, QAA6, QXE8, QXQ4, QXU, SXE8 SXQ4, VX8, VXE8
	14771-ZE2-000	1	-	-	-	-	1001866	LBHB, QBH, QBHS
	14771-ZE2-000	1	-	-	-	-	1576697	LH, LH2, LHB5, LHP1, LP, LT, LXE9, PX, QAPW, QBE1, QBLS, QBS, QH, QHB1 QHB3, QHB5, QHP1, QMH, QN, QP, QT, QTD, QX, QXE, QXEK, QXK, SH, SHE, SN SWE, SWE2, SWX, SWX2, SX, SXC, SXE, VSP, VTE5, VX, VXE, VXX, VXU1
	14771-Z8S-000	1	-	-	-	-	1001867	LBHB, QBH, QBHS
	14771-Z8S-000	1	-	-	-	-	1576698	LH, LH2, LHB5, LHP1, LP, LT, LXE9, PX, QAPW, QBE1, QBLS, QBS, QH, QHB1 QHB3, QHB5, QHP1, QMH, QN, QP, QT, QTD, QX, QXE, QXEK, QXK, SH, SHE, SN SWE, SWE2, SWX, SWX2, SX, SXC, SXE, VSP, VTE5, VX, VXE, VXX, VXU1
	14771-Z8S-000	-	1	1	-	-		



E-9

CAMSHAFT



Ref. No.	Part No.	Description	Reqd. QTY					Serial No.	Parts catalogue code
			GX 390 T1	GX 390 T2	GX 390 T2X	GX 390 UT2	GX 390 UT2X		
12	14773-Z8S-000	RETAINER, EX. VALVE SPRING ...	1	-	-	-	-	ES2, ES3, LBH, LBHS, QTN, VMQ3, VMT2, VMT3, VS4, VS6, VSB4, VSB5 VXX2	
	14773-ZE2-000	1	-	-	-	-	LXE8, LXU, PXE8, PXU, QA2, QA26, QAA2, QAA6, QXE8, QXQ4, QXU, SXE8 SXQ4, VX8, VXE8	
			1	-	-	-	-	1000978 LBHB, QBH, QBHS	
			1	-	-	-	-	1576697 LH, LH2, LHB5, LHP1, LP, LT, LXE9, PX, QAPW, QBE1, QBL5, QBS, QH, QHB1 QHB3, QHB5, QHP1, QMH, QN, QP, QT, QTD, QX, QXE, QXEK, QXK, SH, SHE, SN SWE, SWE2, SWX, SWX2, SX, SXC, SXE, VSP, VTE5, VX, VXE, VXX, VXU1	
	14773-Z8S-000	1	-	-	-	-	1000979 LBHB, QBH, QBHS	
			1	-	-	-	-	1576698 LH, LH2, LHB5, LHP1, LP, LT, LXE9, PX, QAPW, QBE1, QBL5, QBS, QH, QHB1 QHB3, QHB5, QHP1, QMH, QN, QP, QT, QTD, QX, QXE, QXEK, QXK, SH, SHE, SN SWE, SWE2, SWX, SWX2, SX, SXC, SXE, VSP, VTE5, VX, VXE, VXX, VXU1	
	14771-Z8S-000	RETAINER, IN. VALVE SPRING ... (EXHAUST SIDE)	-	1	1	1	1		
13	14775-ZE2-010	SEAT, VALVE SPRING	1	1	1	1	1		
14	14781-ZE2-000	ROTATOR, VALVE	1	-	-	-	-		
15	14791-Z1D-000	GUIDE, PUSH ROD	1	-	1	1	1	LBH, LBHB, LBHS, LFU, QAPW, QBE1, QBH, QBHS, QHB1, QMAH, QMAH/A, QTN SCC, VXX2	
	14791-ZE2-010	1	-	-	-	-	ES2, ES3, LH, LH2, LHB5, LHP1, LP, LT, LXE8, LXE9, LXU, PX, PXE8, PXU QA2, QA26, QAA2, QAA6, QBL5, QBS, QH, QHB3, QHB5, QHP1, QMH, QN, QP QT, QTD, QX, QXE, QXE8, QXEK, QXK, QXQ4, QXU, SH, SHE, SN, SWE, SWE2 SWX, SWX2, SX, SXC, SXE, SXE8, SXQ4, VMQ3, VMT2, VMT3, VS4, VS6, VSB4 VSB5, VSP, VTE5, VX, VX8, VXE, VXE8, VXX, VXU1	
			1	-	-	-	-	1545622 LH, LH2, LHB5, LHP1, LP, LT, LXE9, PX, QH, QHB3, QHB5, QHP1, QMH, QN QP, QT, QTD, QX, QXE, QXEK, QXK, SH, SHE, SN, SWE, SWE2, SWX, SWX2, SX SXC, SXE, VSP, VTE5, VX, VXE, VXX, VXU1	
			1	-	-	-	-	1576697 ES2, ES3, QBL5, QBS, VMQ3, VMT2, VMT3, VS4, VS6, VSB4, VSB5	

E-9

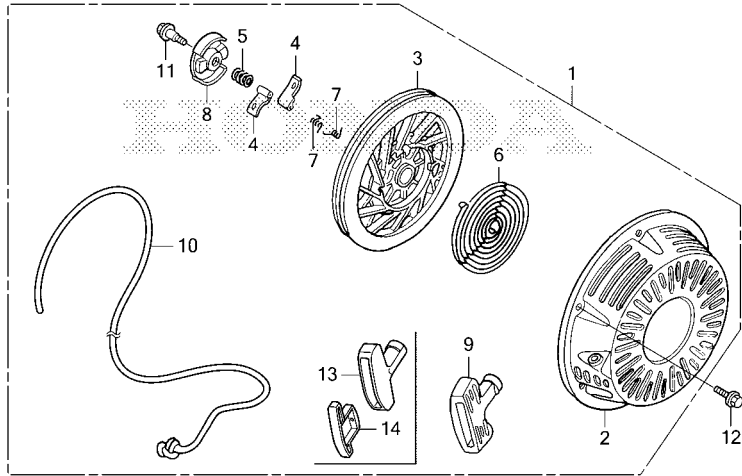
CAMSHAFT

Ref. No.	Part No.	Description	Reqd. QTY					Serial No.	Parts catalogue code
			GX 390 T1	GX 390 T2	GX 390 T2X	GX 390 UT2	GX 390 UT2X		
15)	14791-Z1D-000	GUIDE, PUSH ROD.....	1	-	-	-	-	1545623 -----	LH, LH2, LHB5, LHP1, LP, LT, LXE9, PX, QH, QHB3, QHB5, QHP1, QMH, QN, QP, QT, QTD, QX, QXE, QXEK, QXK, SH, SHE, SN, SWE, SWE2, SWX, SWX2, SX, SXC, SXE, VSP, VTE5, VX, VXE, VXX, VXU1
			1	-	-	-	-	1576698 -----	ES2, ES3, QBL5, QBS, VMQ3, VMT2, VMT3, VS4, VS6, VSB4, VSB5
			-	1	-	-	-	-----	EDS1, EDS5, EDT1, EDT5, ES2, ES5, EWS1, EWS3, EWS4, EWS5, EZD5, EZDS, EZS4, EZS5, LBD, LBH, LBHB, LBHS, LBP, LEAJ, LH, LH2, LHB5, LHP1, LTK1, LWD, LWD1, LWP1, LXE5, LXE9, LXQ5, PKT5, PX, PXE5, PXU5, QA25, QAA5, QAPW, QAPW/A, QBD, QBE1, QBE1/A, QBH, QBHS, QBHZ, QBL, QBLS, QBP, QBS, QBS1, QBT, QC1, QC2, QC55, QC95, QCT, QCWE, QH, QHB1, QHB1/A, QHB2, QHB2/A, QHB3, QHB5, QHP1, QHT, QHT1, QHTN, QK45, QKA5, QMH, QN, QNR5, QP, QPW, QTD, QTE, QTN, QX, QX5, QXA5, QXB5, QXE, QXE5, QXEK, QXK, QXQ5, QXU5, QZSD, QZSL, SC15, SC5, SCM5, SEM, SH, SHMV, SJG, SM11, SME5, SMEJ, SMM, SMTP, STCH, SWA5, SWD4, SWDH, SWDL, SWE2, SWSC, SWX, SWX2, SX, SX5, SXC, SXE5, SXX, SXX1, SXQ5, SZSK, VMQ3, VMT, VMT2, VMT3, VS15, VS3, VS4, VS5, VS6, VSB3, VSB4, VSEP, VSP, VSP/A, VTE5, VWC5, VWE5, VWT5, VX, VXE, VXE5, VXH, VXX, VXU1, VZKK, VZS5, VZS6, VZX
	14791-ZK6-880	-	1	-	-	-	-----	QNG, QTG, QXG, VEP5, VPX5, VPXP, VPXP/A, VSD5, VXB5, VXG
16	90012-ZE0-010	BOLT, PIVOT, 8MM.....	2	2	2	2	2		
17	90206-ZE1-000	NUT, PIVOT ADJUSTING.....	2	2	2	2	2		
18	14100-Z5T-910	CAMSHAFT COMP.(STD.).....	-	1	-	1	1	-----	EDS1, EDS5, EDT1, EDT5, ES5, EWS1, EWS3, EWS4, EWS5, EZD5, EZDS, EZS4, EZS5, LEAJ, LFU, LTK1, LWD, LWD1, LWP1, LXE5, LXQ5, PKT5, PXE5, PXU5, QA25, QAA5, QAPW/A, QBE1/A, QBLS, QBS, QC1, QC2, QC55, QC95, QCT, QCWE, QHB1/A, QHB2, QHB2/A, QHT, QHT1, QHTN, QK45, QKA5, QMAH, QMAH/A, QNG, QNR5, QTE, QTG, QTN, QX5, QXE5, QXG, QXQ5, QXU5, QZSD, QZSL, SC15, SC5, SCC, SCM5, SEM, SHMV, SJG, SM11, SME5, SMEJ, SMM, SMTP, STCH, SWA5, SWD4, SWDH, SWDL, SWSC, SX5, SXE5, SXQ5, SZSK, VS15, VS3, VS5, VSEP, VSP/A, VWC5, VWE5, VWT5, VXE5, VXG, VXH, VZKK, VZS5, VZS6
	14100-Z1C-790	CAMSHAFT ASSY.....	-	1	-	-	-	-----	QPW
	14100-Z5T-920	CAMSHAFT COMP.(LOW NOISE)....	-	1	-	-	-	-----	QXA5, QXB5, VEP5, VPX5, VPXP, VPXP/A, VSD5, VXB5
	14100-Z5T-910	CAMSHAFT COMP.(STD.).....	-	1	-	-	-	1092053 -----	ES2, LH, LH2, LHB5, LHP1, LXE9, PX, QAPW, QBE1, QH, QHB1, QHB3, QHB5, QHP1, QMH, QN, QP, QTD, QX, QXE, QXEK, QXK, SH, SWE2, SWX, SWX2, SX, SXC, VMQ3, VMT, VMT2, VMT3, VS4, VS6, VSB3, VSB4, VSP, VTE5, VX, VXE, VXX, VXU1, VZX
			-	-	1	-	-		
19	14775-ZE2-010	SEAT, VALVE SPRING.....	-	1	-	-	-	-----	LBD, LBH, LBHB, LBHS, LBP, QBD, QBH, QBHS, QBHZ, QBL, QBP, QBT
20	14410-ZK6-880	ROD COMP., PUSH.....	-	2	-	-	-	-----	QNG, QTG, QXG, VEP5, VPX5, VPXP, VPXP/A, VSD5, VXB5, VXG
21	90413-ZK6-880	WASHER, THRUST, 16.1MM.....	-	1	-	-	-	-----	QXA5, QXB5, VEP5, VPX5, VPXP, VPXP/A, VSD5, VXB5



E-11

RECOIL STARTER(1)



FR. →
Z1C0E1100B

Ref. No.	L.O.N.	(Relative ref. Number) Description	F.R.T.
1	1121B9	STARTER, RECOIL	0.1
3	1121B1	REEL, RECOIL STARTER	0.3
4	1121B0	STARTER RATCHET AND/OR SPRING .NOTE: Same time for two units	0.2
6	1121B7	SPRING, RECOIL STARTER RETURN (5)	0.3
8	1121B2	RETAINER, SPRING	0.2
9	1121A3	GRIP, RECOIL STARTER	0.1
10	1121B3	ROPE, RECOIL STARTER	0.3

Ref. No.	Part No.	Description	Reqd. QTY					Serial No.	Parts catalogue code
			GX 390 T1	GX 390 T2	GX 390 T2X	GX 390 UT2	GX 390 UT2X		
1	28400-Z1C-802ZA	STARTER ASSY., RECOIL							
		R280.....POWER RED	1	-	-	-	-	LBH, LBHS	
	28400-ZE3-W01ZP	*R280*.....POWER RED	1	-	-	-	-	LXE8, LXU, PXE8, PXU, QA2, QA26, QAA2, QAA6, QXE8, QXQ4, QXU, SXE8, SXQ4, VX8, VXE8	
	28400-ZE3-W01ZB	*NH1*.....BLACK	1	-	-	-	-	QA2, QAA2	
	28400-ZE3-W02ZP	*R280*.....POWER RED	1	-	-	-	-	VXK2	
	28400-Z1C-801ZA	*R280*.....POWER RED	1	-	-	-	-	1000978 LBHB, QBH, QBHS	
	28400-ZE3-W01ZP	*R280*.....POWER RED	1	-	-	-	-	1577733 ES2, ES3, LH, LH2, LHB5, LHP1, LP, LT, LXE9, PX, QAPW, QBE1, QH, QHB1, QHB3, QHB5, QHP1, QMH, QN, QP, QT, QTD, QTN, QX, QXE, QXEK, QXK, SH, SHE, SN, SWE, SWE2, SWX, SWX2, SX, SXC, SXE, VMO3, VMT2, VMT3, VSB4, VSB5, VSP, VTE5, VX, VXE, VXK, VXU1	
	28400-ZE3-W01ZB	*NH1*.....BLACK	1	-	-	-	-	1581703 ES2, ES3, QAPW	
	28400-ZE3-W01ZH	*NH105*....MAT BLACK(#15-#20)	1	-	-	-	-	1583087 VS4, VS6	
	28400-Z1C-801ZA	*R280*.....POWER RED	1	-	-	-	-	1618678 QBLS, QBS	
	28400-Z1C-802ZA	*R280*.....POWER RED	1	-	-	-	-	1000979 LBHB, QBH, QBHS	
	28400-ZE3-W02ZP	*R280*.....POWER RED	1	-	-	-	-	1577734 ES2, ES3, LH, LH2, LHB5, LHP1, LP, LT, LXE9, PX, QAPW, QBE1, QH, QHB1, QHB3, QHB5, QHP1, QMH, QN, QP, QT, QTD, QTN, QX, QXE, QXEK, QXK, SH, SHE, SN, SWE, SWE2, SWX, SWX2, SX, SXC, SXE, VMO3, VMT2, VMT3, VSB4, VSB5, VSP, VTE5, VX, VXE, VXK, VXU1	
	28400-ZE3-W02ZB	*NH1*.....BLACK	1	-	-	-	-	1581704 ES2, ES3, QAPW	
	28400-ZE3-W02ZH	*NH105*....MAT BLACK(#15-#20)	1	-	-	-	-	1583088 VS4, VS6	
	28400-Z1C-802ZA	*R280*.....POWER RED	1	-	-	-	-	1618679 QBLS, QBS	
	28400-Z5T-013ZB	*NH1*.....BLACK	-	1	-	1	1	EDS1, EDS5, EDT1, EDT5, ES5, EWS1, EWS3, EWS4, EWS5, LEAJ, LFU, LXE5, LXQ5, PKT5, PXE5, PXU5, QA25, QAA5, QAPW/A, QC55, QC95, QK45, QKA5, QMAH, QMAH/A, QNG, QNR5, QTG, QX5, QXA5, QXB5, QXE5, QXQ5, QXU5, SC15, SC5, SCM5, SHMV, SJG, SM11, SME5, SMEJ, SWA5, SWD4, SWDH, SWDL, SX5, SXE5, SXQ5, VEP5, VPX5, VS15, VS3, VS5, VSD5, VWC5, VWE5, VWT5, VXB5	

E-11

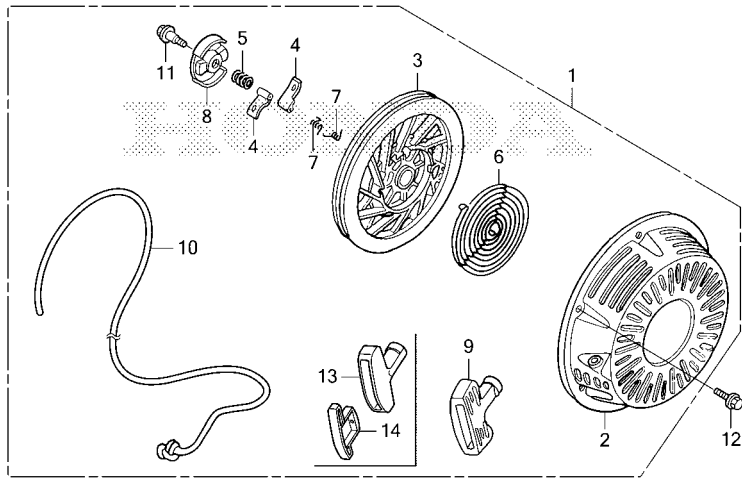
RECOIL STARTER(1)

Ref. No.	Part No.	Description	Reqd. QTY					Serial No.	Parts catalogue code
			GX 390 T1	GX 390 T2	GX 390 T2X	GX 390 UT2	GX 390 UT2X		
(1)	28400-Z5T-013ZA	STARTER ASSY., RECOIL *R280*.....POWER RED	-	1	-	1	1	-----	EDS1, EDS5, EDT1, EDT5, ES5, EWS1, EWS3, EWS4, EWS5, LFU, LXE5, LXQ5, PXE5, PXU5, QA25, QAA5, QAPW/A, QBE1/A, QC1, QC2, QC55, QC95, QCT, QCWE, QHB1/A, QHB2, QHB2/A, QHT, QHT1, QHTN, QK45, QKA5, QNG, QNR5, QTE, QTG, QTN, QX5, QXA5, QXB5, QXE5, QXG, QXQ5, QXU5, SC15, SC5, SCC, SCM5, SJG, SM11, SME5, STCH, SWA5, SWSC, SX5, SXE5, SXQ5, VEP5, VPX5, VPXP, VPXP/A, VS15, VS3, VS5, VSD5, VSEP, VSP/A, VMC5, VME5, VWT5, VXB5, VXE5, VXG, VXH
	28400-Z1C-811	-	1	-	-	-	-----	LBD, LBH, LBHB, LBHS, LBP, QBD, QBH, QBHS, QBHZ, QBL, QBL5, QBP, QBS, QBS1, QBT
	28400-Z5T-305ZA	STARTER ASSY., RECOIL (FOR U.S.A.) *R280*.....POWER RED	-	1	-	-	-	-----	QPW
	28400-Z5T-305ZB	*NH1*.....BLACK	-	1	-	-	-	-----	QPW
	28400-Z5T-003ZA	STARTER ASSY., RECOIL *R280*.....POWER RED	-	1	-	-	-	1088983	ES2, LH, LH2, LHB5, LHP1, LXE9, PX, QAPW, QBE1, QH, QHB1, QHB3, QHB5, QHP1, QMH, QN, QP, QTD, QX, QXE, QXEK, QXK, SH, SWE2, SWX, SWX2, SX, SXC, VMQ3, VMT, VMT2, VMT3, VSB3, VSB4, VSP, VTE5, VX, VXE, VXK, VXU1
	28400-Z5T-003ZB	*NH1*.....BLACK	-	1	-	-	-	1088983	ES2, QAPW, VS4, VS6
	28400-Z5T-013ZB	*NH1*.....BLACK	-	1	-	-	-	2297830	SEM, SMM
	28400-Z5T-013ZA	*R280*.....POWER RED	-	1	-	-	-	1088984	ES2, LH, LH2, LHB5, LHP1, LXE9, PX, QAPW, QBE1, QH, QHB1, QHB3, QHB5, QHP1, QMH, QN, QP, QTD, QX, QXE, QXEK, QXK, SH, SWE2, SWX, SWX2, SX, SXC, VMQ3, VMT, VMT2, VMT3, VSB3, VSB4, VSP, VTE5, VX, VXE, VXK, VXU1
	28400-Z5T-013ZB	*R280*.....POWER RED	-	1	-	-	-	1088984	ES2, QAPW, VS4, VS6
	28400-Z1C-811	-	1	-	-	-	2297831	SEM, SMM
	28400-Z5T-013ZA	*R280*.....POWER RED	-	-	1	-	-	-	-
	28400-Z5T-013ZB	*NH1*.....BLACK	-	-	1	-	-	-	-
2	28410-ZE3-W01ZP	CASE COMP., RECOIL STARTER *R280*.....POWER RED	1	1	1	1	1	-----	EDS1, EDS5, EDT1, EDT5, ES2, ES3, ES5, EWS1, EWS3, EWS4, EWS5, LFU, LH, LH2, LHB5, LHP1, LP, LT, LXE5, LXE8, LXE9, LXQ5, LXU, PX, PXE5, PXE8, PXU, PXU5, QA2, QA25, QA26, QAA2, QAA5, QAA6, QAPW, QAPW/A, QBE1, QBE1/A, QC1, QC2, QC55, QC95, QCT, QCWE, QH, QHB1, QHB1/A, QHB2, QHB2/A, QHB3, QHB5, QHP1, QHT, QHT1, QHTN, QK45, QKA5, QMH, QN, QNG, QNR5, QP, QPW, QT, QTD, QTE, QTG, QTN, QX, QX5, QXA5, QXB5, QXE, QXE5, QXE8, QXEK, QXG, QXK, QXQ4, QXQ5, QXU, QXU5, SC15, SC5, SCC, SCM5, SH, SHE, SJG, SM11, SME5, SN, STCH, SWA5, SWE, SWE2, SWSC, SWX, SWX2, SX, SX5, SXC, SXE, SXE5, SXE8, SXQ4, SXQ5, VEP5, VMQ3, VMT, VMT2, VMT3, VPX5, VPXP, VPXP/A, VS15, VS3, VS5, VSB3, VSB4, VSB5, VSD5, VSEP, VSP, VSP/A, VTE5, VMC5, VME5, VWT5, VX, VX8, VXB5, VXE, VXE8, VXE5, VXG, VXH, VXK, VXK2, VXU1
	28410-Z1C-801	1	1	-	-	-	-----	LBD, LBH, LBHB, LBHS, LBP, QBD, QBH, QBHS, QBHZ, QBL, QBL5, QBP, QBS, QBS1, QBT
	28410-ZE3-W01ZB	*NH1*.....BLACK	1	-	1	1	1	-----	ES2, ES3, LFU, QA2, QAA2, QAPW, QMAH, QMAH/A
	28410-ZE3-W01ZH	*NH105*.....MAT BLACK(#15-#20)	1	-	-	-	-	-----	VS4, VS6
	28410-ZE3-W01ZB	*NH1*.....BLACK	-	1	-	-	-	-----	EDS1, EDS5, EDT1, EDT5, ES2, ES5, EWS1, EWS3, EWS4, EWS5, LEAJ, LXE5, LXQ5, PKT5, PXE5, PXU5, QA25, QAA5, QAPW, QAPW/A, QC55, QC95, QK45, QKA5, QNG, QNR5, QPW, QTG, QX5, QXA5, QXB5, QXE5, QXQ5, QXU5, SC15, SC5, SCM5, SHMV, SJG, SM11, SME5, SMEJ, SWA5, SWD4, SWDH, SWDL, SX5, SXE5, SXQ5, VEP5, VPX5, VS15, VS3, VS4, VS5, VS6, VSD5, VMC5, VME5, VWT5, VXB5
	28410-Z1C-801	-	1	-	-	-	2297830	SEM, SMM
	28410-Z1C-801	-	1	-	-	-	2297831	SEM, SMM



E-11

RECOIL STARTER(1)



FR. →
Z1C0E1100B

Ref. No.	Part No.	Description	Reqd. QTY					Serial No.	Parts catalogue code
			GX 390 T1	GX 390 T2	GX 390 T2X	GX 390 UT2	GX 390 UT2X		
3	28421-ZE3-W01	PULLEY, RECOIL STARTER.....	1	1	1	1	1	-----	EDS1, EDS5, EDT1, EDT5, ES2, ES3, ES5, EWS1, EWS3, EWS4, EWS5, LBD LBH, LBHB, LBHS, LBP, LEAJ, LFU, LH, LH2, LHB5, LHP1, LP, LT, LXE5 LXE8, LXE9, LXQ5, LXU, PKT5, PX, PXE5, PXE8, PXU, PXU5, QA2, QA25 QA26, QAA2, QAA5, QAA6, QAPW, QAPW/A, QBD, QBE1, QBE1/A, QBH, QBHS QBHZ, QBL, QBL5, QBP, QBS, QBS1, QBT, QC1, QC2, QC55, QC95, QCT, QCWE QH, QHB1, QHB1/A, QHB2, QHB2/A, QHB3, QHB5, QHP1, QHT, QHT1, QHTN QK45, QKA5, QMAH, QMAH/A, QMH, QN, QNG, QNR5, QP, QPW, QT, QTD, QTE QTG, QTN, QX, QX5, QXA5, QXB5, QXE, QXE5, QXE8, QXEK, QXG, QXK, QXQ4 QXQ5, QXU, QXU5, SC15, SC5, SCC, SCM5, SEM, SH, SHE, SHMV, SJG, SM11 SME5, SMEJ, SMM, SN, STCH, SWA5, SWD4, SWDH, SWDL, SWE, SWE2, SWSC SWX, SWX2, SX, SX5, SXC, SXE, SXE5, SXE8, SXQ4, SXQ5, VEP5, VMQ3, VMT VMT2, VMT3, VPX5, VPXP, VPXP/A, VS15, VS3, VS4, VS5, VS6, VSB3, VSB4 VSB5, VSD5, VSEP, VSP, VSP/A, VTE5, VWC5, VWE5, VWT5, VX, VX8, VXB5 VXE, VXE8, VXEH, VXG, VXH, VXX, VXX2, VXU1
4	28422-ZE2-W01	RATCHET, STARTER.....	2	2	2	2	2	-----	EDS1, EDS5, EDT1, EDT5, ES2, ES3, ES5, EWS1, EWS3, EWS4, EWS5, LBD LBH, LBHB, LBHS, LBP, LEAJ, LFU, LH, LH2, LHB5, LHP1, LP, LT, LXE5 LXE8, LXE9, LXQ5, LXU, PKT5, PX, PXE5, PXE8, PXU, PXU5, QA2, QA25 QA26, QAA2, QAA5, QAA6, QAPW, QAPW/A, QBD, QBE1, QBE1/A, QBH, QBHS QBHZ, QBL, QBL5, QBP, QBS, QBS1, QBT, QC1, QC2, QC55, QC95, QCT, QCWE QH, QHB1, QHB1/A, QHB2, QHB2/A, QHB3, QHB5, QHP1, QHT, QHT1, QHTN QK45, QKA5, QMAH, QMAH/A, QMH, QN, QNG, QNR5, QP, QPW, QT, QTD, QTE QTG, QTN, QX, QX5, QXA5, QXB5, QXE, QXE5, QXE8, QXEK, QXG, QXK, QXQ4 QXQ5, QXU, QXU5, SC15, SC5, SCC, SCM5, SEM, SH, SHE, SHMV, SJG, SM11 SME5, SMEJ, SMM, SN, STCH, SWA5, SWD4, SWDH, SWDL, SWE, SWE2, SWSC SWX, SWX2, SX, SX5, SXC, SXE, SXE5, SXE8, SXQ4, SXQ5, VEP5, VMQ3, VMT VMT2, VMT3, VPX5, VPXP, VPXP/A, VS15, VS3, VS4, VS5, VS6, VSB3, VSB4 VSB5, VSD5, VSEP, VSP, VSP/A, VTE5, VWC5, VWE5, VWT5, VX, VX8, VXB5 VXE, VXE8, VXEH, VXG, VXH, VXX, VXX2, VXU1



E-11

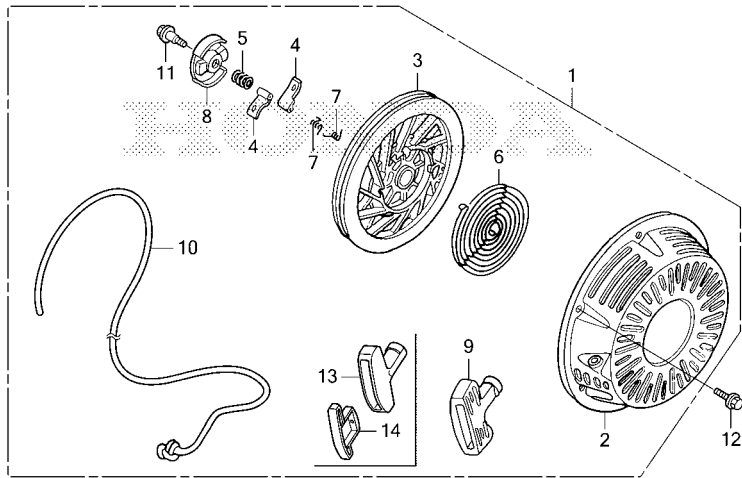
RECOIL STARTER(1)

Ref. No.	Part No.	Description	Reqd. QTY					Serial No.	Parts catalogue code
			GX 390 T1	GX 390 T2	GX 390 T2X	GX 390 UT2	GX 390 UT2X		
5	28441-ZE2-W01	SPRING, FRICTION.....	1	1	1	1	1	-----	EDS1, EDS5, EDT1, EDT5, ES2, ES3, ES5, EWS1, EWS3, EWS4, EWS5, LBD LBH, LBHB, LBHS, LBP, LEAJ, LFU, LH, LH2, LHB5, LHP1, LP, LT, LXE5 LXE8, LXE9, LXQ5, LXU, PKT5, PX, PXE5, PXE8, PXU, PXU5, QA2, QA25 QA26, QAA2, QAA5, QAA6, QAPW, QAPW/A, QBD, QBE1, QBE1/A, QBH, QBHS QBHZ, QBL, QBL5, QBP, QBS, QBS1, QBT, QC1, QC2, QC55, QC95, QCT, QCWE QH, QHB1, QHB1/A, QHB2, QHB2/A, QHB3, QHB5, QHP1, QHT, QHT1, QHTN QK45, QKA5, QMAH, QMAH/A, QMH, QN, QNG, QNR5, QP, QPW, QT, QTD, QTE QTG, QTN, QX, QX5, QXA5, QXB5, QXE, QXE5, QXE8, QXEK, QXG, QXK, QXQ4 QXQ5, QXU, QXU5, SC15, SC5, SCC, SCM5, SEM, SH, SHE, SHMV, SJG, SM11 SME5, SMEJ, SMM, SN, STCH, SWA5, SWD4, SWDH, SWDL, SWE, SWE2, SWSC SWX, SWX2, SX, SX5, SXC, SXE, SXE5, SXE8, SXQ4, SXQ5, VEP5, VMQ3, VMT VMT2, VMT3, VPX5, VPXP, VPXP/A, VS15, VS3, VS4, VS5, VS6, VSB3, VSB4 VSB5, VSD5, VSEP, VSP, VSP/A, VTE5, VWC5, VWE5, VMT5, VX, VX8, VXB5 VXE, VXE8, VXEH, VXG, VXH, VXX, VXX2, VXU1
6	28442-ZE2-W01	SPRING, STARTER RETURN.....	1	1	1	1	1	-----	EDS1, EDS5, EDT1, EDT5, ES2, ES3, ES5, EWS1, EWS3, EWS4, EWS5, LBD LBH, LBHB, LBHS, LBP, LEAJ, LFU, LH, LH2, LHB5, LHP1, LP, LT, LXE5 LXE8, LXE9, LXQ5, LXU, PKT5, PX, PXE5, PXE8, PXU, PXU5, QA2, QA25 QA26, QAA2, QAA5, QAA6, QAPW, QAPW/A, QBD, QBE1, QBE1/A, QBH, QBHS QBHZ, QBL, QBL5, QBP, QBS, QBS1, QBT, QC1, QC2, QC55, QC95, QCT, QCWE QH, QHB1, QHB1/A, QHB2, QHB2/A, QHB3, QHB5, QHP1, QHT, QHT1, QHTN QK45, QKA5, QMAH, QMAH/A, QMH, QN, QNG, QNR5, QP, QPW, QT, QTD, QTE QTG, QTN, QX, QX5, QXA5, QXB5, QXE, QXE5, QXE8, QXEK, QXG, QXK, QXQ4 QXQ5, QXU, QXU5, SC15, SC5, SCC, SCM5, SEM, SH, SHE, SHMV, SJG, SM11 SME5, SMEJ, SMM, SN, STCH, SWA5, SWD4, SWDH, SWDL, SWE, SWE2, SWSC SWX, SWX2, SX, SX5, SXC, SXE, SXE5, SXE8, SXQ4, SXQ5, VEP5, VMQ3, VMT VMT2, VMT3, VPX5, VPXP, VPXP/A, VS15, VS3, VS4, VS5, VS6, VSB3, VSB4 VSB5, VSD5, VSEP, VSP, VSP/A, VTE5, VWC5, VWE5, VMT5, VX, VX8, VXB5 VXE, VXE8, VXEH, VXG, VXH, VXX, VXX2, VXU1
7	28443-ZE2-W01	SPRING, RATCHET.....	2	2	2	2	2	-----	EDS1, EDS5, EDT1, EDT5, ES2, ES3, ES5, EWS1, EWS3, EWS4, EWS5, LBD LBH, LBHB, LBHS, LBP, LEAJ, LFU, LH, LH2, LHB5, LHP1, LP, LT, LXE5 LXE8, LXE9, LXQ5, LXU, PKT5, PX, PXE5, PXE8, PXU, PXU5, QA2, QA25 QA26, QAA2, QAA5, QAA6, QAPW, QAPW/A, QBD, QBE1, QBE1/A, QBH, QBHS QBHZ, QBL, QBL5, QBP, QBS, QBS1, QBT, QC1, QC2, QC55, QC95, QCT, QCWE QH, QHB1, QHB1/A, QHB2, QHB2/A, QHB3, QHB5, QHP1, QHT, QHT1, QHTN QK45, QKA5, QMAH, QMAH/A, QMH, QN, QNG, QNR5, QP, QPW, QT, QTD, QTE QTG, QTN, QX, QX5, QXA5, QXB5, QXE, QXE5, QXE8, QXEK, QXG, QXK, QXQ4 QXQ5, QXU, QXU5, SC15, SC5, SCC, SCM5, SEM, SH, SHE, SHMV, SJG, SM11 SME5, SMEJ, SMM, SN, STCH, SWA5, SWD4, SWDH, SWDL, SWE, SWE2, SWSC SWX, SWX2, SX, SX5, SXC, SXE, SXE5, SXE8, SXQ4, SXQ5, VEP5, VMQ3, VMT VMT2, VMT3, VPX5, VPXP, VPXP/A, VS15, VS3, VS4, VS5, VS6, VSB3, VSB4 VSB5, VSD5, VSEP, VSP, VSP/A, VTE5, VWC5, VWE5, VMT5, VX, VX8, VXB5 VXE, VXE8, VXEH, VXG, VXH, VXX, VXX2, VXU1
8	28444-ZE2-W01	RETAINER, SPRING.....	1	1	1	1	1	-----	EDS1, EDS5, EDT1, EDT5, ES2, ES3, ES5, EWS1, EWS3, EWS4, EWS5, LBD LBH, LBHB, LBHS, LBP, LEAJ, LFU, LH, LH2, LHB5, LHP1, LP, LT, LXE5 LXE8, LXE9, LXQ5, LXU, PKT5, PX, PXE5, PXE8, PXU, PXU5, QA2, QA25 QA26, QAA2, QAA5, QAA6, QAPW, QAPW/A, QBD, QBE1, QBE1/A, QBH, QBHS QBHZ, QBL, QBL5, QBP, QBS, QBS1, QBT, QC1, QC2, QC55, QC95, QCT, QCWE QH, QHB1, QHB1/A, QHB2, QHB2/A, QHB3, QHB5, QHP1, QHT, QHT1, QHTN QK45, QKA5, QMAH, QMAH/A, QMH, QN, QNG, QNR5, QP, QPW, QT, QTD, QTE QTG, QTN, QX, QX5, QXA5, QXB5, QXE, QXE5, QXE8, QXEK, QXG, QXK, QXQ4 QXQ5, QXU, QXU5, SC15, SC5, SCC, SCM5, SEM, SH, SHE, SHMV, SJG, SM11 SME5, SMEJ, SMM, SN, STCH, SWA5, SWD4, SWDH, SWDL, SWE, SWE2, SWSC SWX, SWX2, SX, SX5, SXC, SXE, SXE5, SXE8, SXQ4, SXQ5, VEP5, VMQ3, VMT VMT2, VMT3, VPX5, VPXP, VPXP/A, VS15, VS3, VS4, VS5, VS6, VSB3, VSB4 VSB5, VSD5, VSEP, VSP, VSP/A, VTE5, VWC5, VWE5, VMT5, VX, VX8, VXB5 VXE, VXE8, VXEH, VXG, VXH, VXX, VXX2, VXU1
9	28461-ZE2-W03	GRIP, STARTER.....	1	-	-	-	-	-----	EDS1, EDS5, EDT1, EDT5, ES2, ES3, ES5, EWS1, EWS3, EWS4, EWS5, LBD LBH, LBHB, LBHS, LBP, LEAJ, LFU, LH, LH2, LHB5, LHP1, LP, LT, LXE5 LXE8, LXE9, LXQ5, LXU, PKT5, PX, PXE5, PXE8, PXU, PXU5, QA2, QA25 QA26, QAA2, QAA5, QAA6, QAPW, QAPW/A, QBD, QBE1, QBE1/A, QBH, QBHS QBHZ, QBL, QBL5, QBP, QBS, QBS1, QBT, QC1, QC2, QC55, QC95, QCT, QCWE QH, QHB1, QHB1/A, QHB2, QHB2/A, QHB3, QHB5, QHP1, QHT, QHT1, QHTN QK45, QKA5, QMAH, QMAH/A, QMH, QN, QNG, QNR5, QP, QPW, QT, QTD, QTE QTG, QTN, QX, QX5, QXA5, QXB5, QXE, QXE5, QXE8, QXEK, QXG, QXK, QXQ4 QXQ5, QXU, QXU5, SC15, SC5, SCC, SCM5, SEM, SH, SHE, SHMV, SJG, SM11 SME5, SMEJ, SMM, SN, STCH, SWA5, SWD4, SWDH, SWDL, SWE, SWE2, SWSC SWX, SWX2, SX, SX5, SXC, SXE, SXE5, SXE8, SXQ4, SXQ5, VEP5, VMQ3, VMT VMT2, VMT3, VPX5, VPXP, VPXP/A, VS15, VS3, VS4, VS5, VS6, VSB3, VSB4 VSB5, VSD5, VSEP, VSP, VSP/A, VTE5, VWC5, VWE5, VMT5, VX, VX8, VXB5 VXE, VXE8, VXEH, VXG, VXH, VXX, VXX2, VXU1



E-11

RECOIL STARTER(1)



FR. →
Z1C0E1100B

Ref. No.	Part No.	Description	Reqd. QTY					Serial No.	Parts catalogue code
			GX 390 T1	GX 390 T2	GX 390 T2X	GX 390 UT2	GX 390 UT2X		
(9)	28461-ZE2-W02	GRIP, STARTER	1	-	-	-	-	LXE8, LXU, PXE8, PXU, QA2, QA26, QAA2, QAA6, QXE8, QXQ4, QXU, SXE8 SXQ4, VX8, VXE8	
			1	-	-	-	1000978	LBHB, QBH, QBHS	
			1	-	-	-	1577733	ES2, ES3, LH, LH2, LHB5, LHP1, LP, LT, LXE9, PX, QAPW, QBE1, QBLS, QBS QH, QHB1, QHB3, QHB5, QHP1, QMH, QN, QP, QT, QTD, QTN, QX, QXE, QXEK QXK, SH, SHE, SN, SWE, SWE2, SWX, SWX2, SX, SXC, SXE, VMQ3, VMT2, VMT3 VS4, VS6, VSB4, VSB5, VSP, VTE5, VX, VXE, VXX, VXU1	
	28461-ZE2-W03	1	-	-	-	1000979	LBHB, QBH, QBHS	
			1	-	-	-	1577734	ES2, ES3, LH, LH2, LHB5, LHP1, LP, LT, LXE9, PX, QAPW, QBE1, QBLS, QBS QH, QHB1, QHB3, QHB5, QHP1, QMH, QN, QP, QT, QTD, QTN, QX, QXE, QXEK QXK, SH, SHE, SN, SWE, SWE2, SWX, SWX2, SX, SXC, SXE, VMQ3, VMT2, VMT3 VS4, VS6, VSB4, VSB5, VSP, VTE5, VX, VXE, VXX, VXU1	
10	28462-ZE3-W01	ROPE, RECOIL STARTER.....	1	1	1	1	1	EDS1, EDS5, EDT1, EDT5, ES2, ES3, ES5, EWS1, EWS3, EWS4, EWS5, LEAJ LFU, LH, LH2, LHB5, LHP1, LP, LT, LXE5, LXE8, LXE9, LXQ5, LXU, PKT5 PX, PXE5, PXE8, PXU, PXU5, QA2, QA25, QA26, QAA2, QAA5, QAA6, QAPW QAPW/A, QBE1, QBE1/A, QC1, QC2, QC55, QC95, QCT, QCWE, QH, QHB1 QHB1/A, QHB2, QHB2/A, QHB3, QHB5, QHP1, QHT, QHT1, QHTN, QK45, QKA5 QMAH, QMAH/A, QMH, QN, QNG, QNR5, QP, QPW, QT, QTD, QTE, QTG, QTN, QX QX5, QXA5, QXB5, QXE, QXE5, QXE8, QXEK, QXG, QXK, QXQ4, QXQ5, QXU QXU5, SC15, SC5, SCC, SCM5, SH, SHE, SHMV, SJG, SM11, SME5, SMEJ, SN STCH, SWA5, SWD4, SWDH, SWDL, SWE, SWE2, SWSC, SWX, SWX2, SX, SX5 SXC, SXE, SXE5, SXE8, SXQ4, SXQ5, VEP5, VMQ3, VMT, VMT2, VMT3, VPX5 VPXP, VPXP/A, VS15, VS3, VS4, VS5, VS6, VSB3, VSB4, VSB5, VSD5, VSEP VSP, VSP/A, VTE5, VWC5, VWE5, VMT5, VX, VX8, VXB5, VXE, VXE8, VXE9 VVG, VXH, VXX, VXX2, VXU1	
	28462-Z1C-801	1	1	-	-	-	LBD, LBH, LBHB, LBHS, LBP, QBD, QBH, QBHS, QBHZ, QBL, QBLS, QBP, QBS QBS1, QBT	
	28462-ZE3-W01	-	1	-	-	-	2297830 SEM, SMM	
	28462-Z1C-801	-	1	-	-	-	2297831 SEM, SMM	

E-11

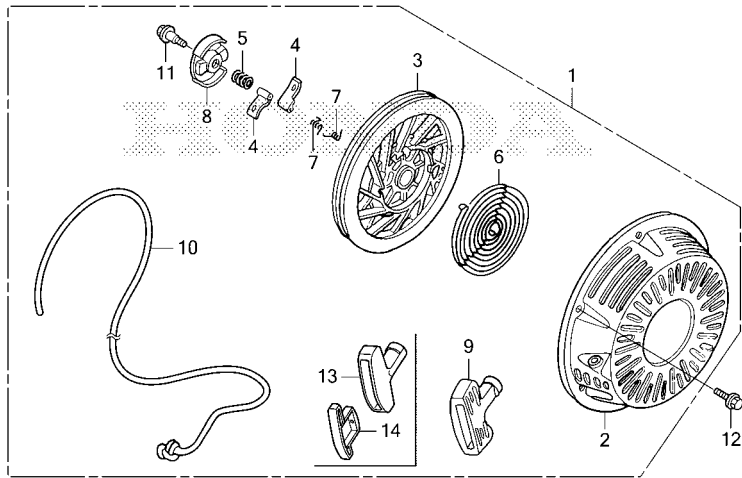
RECOIL STARTER(1)

Ref. No.	Part No.	Description	Reqd. QTY					Serial No.	Parts catalogue code
			GX 390 T1	GX 390 T2	GX 390 T2X	GX 390 UT2	GX 390 UT2X		
11	90004-ZE2-W01	SCREW, CENTER	1	1	1	1	1	-----	EDS1, EDS5, EDT1, EDT5, ES2, ES3, ES5, EWS1, EWS3, EWS4, EWS5, LBD LBH, LBHB, LBHS, LBP, LEAJ, LFU, LH, LH2, LHB5, LHP1, LP, LT, LXE5 LXE8, LXE9, LXQ5, LXU, PKT5, PX, PXE5, PXE8, PXU, PXU5, QA2, QA25 QA26, QAA2, QAA5, QAA6, QAPW, QAPW/A, QBD, QBE1, QBE1/A, QBH, QBHS QBHZ, QBL, QBL5, QBP, QBS, QBS1, QBT, QC1, QC2, QC55, QC95, QCT, QCWE QH, QHB1, QHB1/A, QHB2, QHB2/A, QHB3, QHB5, QHP1, QHT, QHT1, QHTN QK45, QKA5, QMAH, QMAH/A, QMH, QN, QNG, QNR5, QP, QPW, QT, QTD, QTE QTG, QTN, QX, QX5, QXA5, QXB5, QXE, QXE5, QXE8, QXEK, QXG, QXK, QXQ4 QXQ5, QXU, QXU5, SC15, SC5, SCC, SCM5, SEM, SH, SHE, SHMV, SJG, SM11 SME5, SMEJ, SMM, SN, STCH, SWA5, SWD4, SWDH, SWDL, SWE, SWE2, SWSC SWX, SWX2, SX, SX5, SXC, SXE, SXE5, SXE8, SXQ4, SXQ5, VEP5, VMQ3, VMT VMT2, VMT3, VPX5, VPXP, VPXP/A, VS15, VS3, VS4, VS5, VS6, VSB3, VSB4 VSB5, VSD5, VSEP, VSP, VSP/A, VTE5, VWC5, VWE5, VMT5, VX, VX8, VXB5 VXE, VXE8, VXEH, VXG, VXH, VXX, VXX2, VXU1
12	90001-Z0T-800	BOLT, FLANGE, 6X10	3	3	-	-	-	-----	LBD, LBH, LBHB, LBHS, LBP, QBD, QBH, QBHS, QBHZ, QBL, QBL5, QBP, QBS QBS1, QBT
	90008-ZE2-003	3	-	-	-	-	-----	ES2, ES3, LH, LH2, LHB5, LHP1, LP, LT, LXE8, LXE9, LXU, PX, PXE8, PXU QA2, QA26, QAA2, QAA6, QAPW, QBE1, QH, QHB1, QHB3, QHB5, QHP1, QMH QN, QP, QT, QTD, QTN, QX, QXE, QXE8, QXEK, QXK, QXQ4, QXU, SH, SHE, SN SWE, SWE2, SWX, SWX2, SX, SXC, SXE, SXE8, SXQ4, VMQ3, VMT2, VMT3, VS4 VS6, VSB4, VSB5, VSP, VTE5, VX, VX8, VXE, VXE8, VXX, VXX2, VXU1
	95701-06010-00	-	3	-	3	3	-----	EDS5, EDT5, LEAJ, LFU, LXE5, LXQ5, PKT5, PXE5, PXU5, QA25, QAA5 QAPW/A, QBE1/A, QC1, QC2, QC55, QC95, QCT, QCWE, QHB1/A, QHB2 QHB2/A, QHT, QHT1, QHTN, QK45, QKA5, QMAH, QMAH/A, QNG, QNR5, QPW QTE, QTG, QX5, QXA5, QXB5, QXE5, QXG, QXQ5, QXU5, SC15, SC5, SCC SCM5, SEM, SHMV, SME5, SMEJ, SMM, STCH, SWA5, SWD4, SWDH, SWDL, SWSC SX5, SXE5, SXQ5, VEP5, VPX5, VPXP, VPXP/A, VS15, VSD5, VSEP, VSP/A VWC5, VWE5, VMT5, VXB5, VXEH, VXG, VXH
	90008-ZE2-003	-	3	-	-	-	-----	1376506 EDS1, EDT1, ES2, ES5, EWS1, EWS3, EWS4, EWS5, LH, LH2, LHB5, LHP1 LXE9, PX, QAPW, QBE1, QH, QHB1, QHB3, QHB5, QHP1, QMH, QN, QP, QTD QTN, QX, QXE, QXEK, QXK, SH, SJG, SM11, SWE2, SWX, SWX2, SX, SXC, VMQ3 VMT, VMT2, VMT3, VS3, VS4, VS5, VS6, VSB3, VSB4, VSP, VTE5, VX, VXE VXX, VXU1
	95701-06010-00	-	3	-	-	-	-----	1376507 EDS1, EDT1, ES2, ES5, EWS1, EWS3, EWS4, EWS5, LH, LH2, LHB5, LHP1 LXE9, PX, QAPW, QBE1, QH, QHB1, QHB3, QHB5, QHP1, QMH, QN, QP, QTD QTN, QX, QXE, QXEK, QXK, SH, SJG, SM11, SWE2, SWX, SWX2, SX, SXC, VMQ3 VMT, VMT2, VMT3, VS3, VS4, VS5, VS6, VSB3, VSB4, VSP, VTE5, VX, VXE VXX, VXU1
13	28461-Z5T-003	GRIP, STARTER	-	-	3	-	-	-----	EDS1, EDS5, EDT1, EDT5, ES2, ES5, EWS1, EWS3, EWS4, EWS5, LBD, LBH LBHB, LBHS, LBP, LEAJ, LFU, LH, LH2, LHB5, LHP1, LXE5, LXE9, LXQ5 PKT5, PX, PXE5, PXU5, QA25, QAA5, QAPW, QAPW/A, QBD, QBE1, QBE1/A QBH, QBHS, QBHZ, QBL, QBL5, QBP, QBS, QBS1, QBT, QC1, QC2, QC55, QC95 QCT, QCWE, QH, QHB1, QHB1/A, QHB2, QHB2/A, QHB3, QHB5, QHP1, QHT QHT1, QHTN, QK45, QKA5, QMAH, QMAH/A, QMH, QN, QNG, QNR5, QP, QTD QTE, QTG, QTN, QX, QX5, QXA5, QXB5, QXE, QXE5, QXEK, QXG, QXK, QXQ5 QXU5, SC15, SC5, SCC, SCM5, SEM, SH, SHMV, SJG, SM11, SME5, SMEJ, SMM STCH, SWA5, SWD4, SWDH, SWDL, SWE2, SWSC, SWX, SWX2, SX, SX5, SXC SXE5, SXQ5, VEP5, VMQ3, VMT, VMT2, VMT3, VPX5, VPXP, VPXP/A, VS15 VS3, VS4, VS5, VS6, VSB3, VSB4, VSD5, VSEP, VSP, VSP/A, VTE5, VWC5 VWE5, VMT5, VX, VXB5, VXE, VXEH, VXG, VXH, VXX, VXU1
	28461-Z5T-305	GRIP, STARTER(C00)(FOR U.S.A.)	-	1	-	-	-	-----	QPW



E-11

RECOIL STARTER(1)



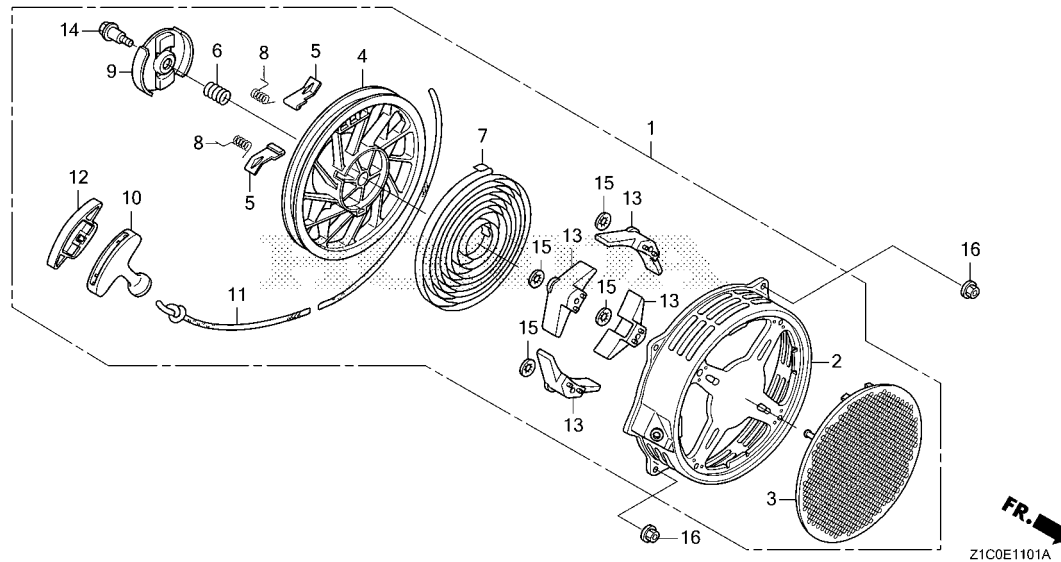
FR. →
Z1C0E1100B

Ref. No.	Part No.	Description	Reqd. QTY					Serial No.	Parts catalogue code
			GX 390 T1	GX 390 T2	GX 390 T2X	GX 390 UT2	GX 390 UT2X		
14	28463-Z5T-013	GRIP, REINFORCEMENT	-	1	-	1	1	-----	EDS1, EDS5, EDT1, EDT5, ES5, EWS1, EWS3, EWS4, EWS5, LBD, LBH, LBHB, LBHS, LBP, LEAJ, LFU, LXE5, LXQ5, PKT5, PXE5, PXU5, QA25, QAA5, QAPW/A, QBD, QBE1/A, QBH, QBHS, QBHZ, QBL, QBL5, QBP, QBS, QBS1, QBT, QC1, QC2, QC55, QC95, QCT, QCWE, QHB1/A, QHB2, QHB2/A, QHT, QHT1, QHTN, QK45, QKA5, QMAH, QMAH/A, QNG, QNR5, QPW, QTE, QTG, QTN, QX5, QXA5, QXB5, QXE5, QXG, QXQ5, QXU5, SC15, SC5, SCC, SCM5, SEM, SHMV, SJG, SM11, SME5, SMEJ, SMM, STCH, SWA5, SWD4, SWDH, SWDL, SWSC, SX5, SXE5, SXQ5, VEP5, VPX5, VPXP, VPXP/A, VS15, VS3, VS5, VSD5, VSEP, VSP/A, VWC5, VWE5, VWT5, VXB5, VXE5, VXG, VXH
	28463-Z5T-003	-	1	-	-	-	-----	1088983 ES2, LH, LH2, LHB5, LHP1, LXE9, PX, QAPW, QBE1, QH, QHB1, QHB3, QHB5, QHP1, QMH, QN, QP, QTD, QX, QXE, QXEK, QXK, SH, SWE2, SWX, SWX2, SX, SXC, VMQ3, VMT, VMT2, VMT3, VS4, VS6, VSB3, VSB4, VSP, VTE5, VX, VXE, VXX, VXU1
	28463-Z5T-013	-	1	-	-	-	-----	1088984 ES2, LH, LH2, LHB5, LHP1, LXE9, PX, QAPW, QBE1, QH, QHB1, QHB3, QHB5, QHP1, QMH, QN, QP, QTD, QX, QXE, QXEK, QXK, SH, SWE2, SWX, SWX2, SX, SXC, VMQ3, VMT, VMT2, VMT3, VS4, VS6, VSB3, VSB4, VSP, VTE5, VX, VXE, VXX, VXU1
			-	-	1	-	-		



E-11-1

RECOIL STARTER(2)



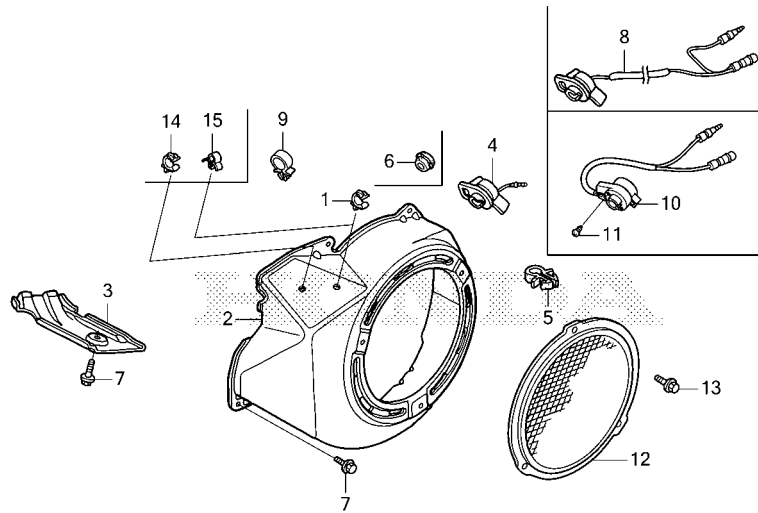
Ref. No.	L.O.N.	(Relative ref. Number) Description	F.R.T.
1	1121B9	STARTER, RECOIL	0.1
3	1121D2	COVER, RECOIL STARTER	0.4
4	1121B1	REEL, RECOIL STARTER	0.3
5	1121B0	STARTER RATCHET AND/OR SPRING .NOTE: Same time for two units	0.2
7	1121B7	SPRING, RECOIL STARTER RETURN	0.3
9	1121A4	GUIDE, RATCHET	0.2
10	1121A3	GRIP, RECOIL STARTER	0.1
11	1121B3	ROPE, RECOIL STARTER	0.3

Ref. No.	Part No.	Description	Reqd. QTY					Serial No.	Parts catalogue code
			GX 390 T1	GX 390 T2	GX 390 T2X	GX 390 UT2	GX 390 UT2X		
1	28400-Z5T-W03ZB	STARTER ASSY., RECOIL	-	1	-	-	-	-	EZD5, EZDS, EZS4, EZS5, QZSD, QZSL, SZSK, VZKK, VZS6
	28400-Z5T-W03ZA	*R280*.....POWER RED	-	1	-	-	-	-	EZD5, EZDS, EZS4, EZS5, QZSD, QZSL, VZS5
	28400-Z5T-W01ZB	*NH1*.....BLACK	-	1	-	-	-	-	EZD5, EZDS, EZS4, EZS5, QZSD, QZSL, VZS5
	28400-Z5T-W02ZB	*R280*.....POWER RED	-	1	-	-	1052008	VZX	
	28400-Z5T-W03ZB	*R280*.....POWER RED	-	1	-	-	1136351	VZX	
	28400-Z5T-W03ZB	*R280*.....POWER RED	-	1	-	-	1136352	VZX	
2	28410-Z5T-W02ZB	CASE COMP., RECOIL STARTER	-	1	-	-	-	-	EZD5, EZDS, EZS4, EZS5, QZSD, QZSL, SZSK, VZKK, VZS6
	28410-Z5T-W02ZA	*R280*.....POWER RED	-	1	-	-	-	-	EZD5, EZDS, EZS4, EZS5, QZSD, QZSL, VZS5
	28410-Z5T-W01ZB	*NH1*.....BLACK	-	1	-	-	-	-	EZD5, EZDS, EZS4, EZS5, QZSD, QZSL, VZS5
	28410-Z5T-W01ZB	*R280*.....POWER RED	-	1	-	-	1052008	VZX	
	28410-Z5T-W02ZB	*R280*.....POWER RED	-	1	-	-	1052009	VZX	
3	28411-Z5T-W01	COVER, RECOIL STARTER	-	1	-	-	-	-	EZD5, EZDS, EZS4, EZS5, QZSD, QZSL, SZSK, VZKK, VZS5, VZS6, VZX
4	28421-Z5T-W01	PULLEY, RECOIL STARTER	-	1	-	-	-	-	EZD5, EZDS, EZS4, EZS5, QZSD, QZSL, SZSK, VZKK, VZS5, VZS6, VZX
5	28422-ZE2-W01	RATCHET, STARTER	-	2	-	-	-	-	EZD5, EZDS, EZS4, EZS5, QZSD, QZSL, SZSK, VZKK, VZS5, VZS6, VZX
6	28441-ZE2-W01	SPRING, FRICTION	-	1	-	-	-	-	EZD5, EZDS, EZS4, EZS5, QZSD, QZSL, SZSK, VZKK, VZS5, VZS6, VZX
7	28442-ZE2-W01	SPRING, STARTER RETURN	-	1	-	-	-	-	EZD5, EZDS, EZS4, EZS5, QZSD, QZSL, SZSK, VZKK, VZS5, VZS6, VZX
8	28443-ZE2-W01	SPRING, RATCHET	-	2	-	-	-	-	EZD5, EZDS, EZS4, EZS5, QZSD, QZSL, SZSK, VZKK, VZS5, VZS6, VZX
9	28444-ZE2-W01	RETAINER, SPRING	-	1	-	-	-	-	EZD5, EZDS, EZS4, EZS5, QZSD, QZSL, SZSK, VZKK, VZS5, VZS6, VZX
10	28461-Z5T-003	GRIP, STARTER	-	1	-	-	-	-	EZD5, EZDS, EZS4, EZS5, QZSD, QZSL, SZSK, VZKK, VZS5, VZS6, VZX
11	28462-ZE3-W01	ROPE, RECOIL STARTER	-	1	-	-	-	-	EZD5, EZDS, EZS4, EZS5, QZSD, QZSL, SZSK, VZKK, VZS5, VZS6, VZX
12	28463-Z5T-013	GRIP, REINFORCEMENT	-	1	-	-	-	-	EZD5, EZDS, EZS4, EZS5, QZSD, QZSL, SZSK, VZKK, VZS5, VZS6
	28463-Z5T-003	-	1	-	-	1136351	VZX	
	28463-Z5T-013	-	1	-	-	1136352	VZX	
13	28465-Z5T-W01	COVER, ROPE	-	4	-	-	-	-	EZD5, EZDS, EZS4, EZS5, QZSD, QZSL, SZSK, VZKK, VZS5, VZS6, VZX
14	90004-ZE2-W01	SCREW, CENTER	-	1	-	-	-	-	EZD5, EZDS, EZS4, EZS5, QZSD, QZSL, SZSK, VZKK, VZS5, VZS6, VZX
15	90201-Z5T-W01	NUT, PUSH	-	4	-	-	-	-	EZD5, EZDS, EZS4, EZS5, QZSD, QZSL, SZSK, VZKK, VZS5, VZS6, VZX
16	94050-06000	NUT, FLANGE, 6MM	-	4	-	-	-	-	EZD5, EZDS, EZS4, EZS5, QZSD, QZSL, SZSK, VZKK, VZS5, VZS6, VZX



E-12

FAN COVER(1)



Z1C0E1200E

Ref. No.	L.O.N.	(Relative ref. Number) Description	F.R.T.
2	1141G8	COVER, ENGINE COOLING FAN	0.2
4	6151D9	SWITCH, ENGINE STOP	0.2

Ref. No.	Part No.	Description	Reqd. QTY					Serial No.	Parts catalogue code
			GX 390 T1	GX 390 T2	GX 390 T2X	GX 390 UT2	GX 390 UT2X		
1	16731-ZE2-003	CLIP, TUBE	1	1	1	1	1	-----	LEAJ, LH, LH2, LHB5, LHP1, LP, LT, LTK1, LWD, LWD1, LWP1, LXE5, LXE8, LXE9, LXQ5, LXU, PKT5, PX, PXE5, PXE8, PXU, PXU5, QA2, QA25, QA26, QAA2, QAA5, QAA6, QAPW, QAPW/A, QBE1, QBE1/A, QC1, QC2, QC55, QC95, QCT, QCWE, QH, QHB1, QHB1/A, QHB3, QHB5, QHP1, QHT, QHT1, QHTN, QKA5, QKA5, QMAH, QMAH/A, QMH, QN, QNR5, QP, QPW, QT, QTD, QTE, QTN, QX, QX5, QXA5, QXB5, QXE, QXE5, QXE8, QXEK, QXG, QXK, QXQ4, QXQ5, QXU, QXU5, SC15, SC5, SCC, SCM5, SEM, SH, SHE, SHMV, SJG, SM11, SME5, SMEJ, SMM, SMTP, SN, STCH, SWA5, SWD4, SWDH, SWDL, SWE, SWE2, SWSC, SWX, SWX2, SX, SX5, SXC, SXE, SXE5, SXE8, SXX, SXQ4, SXQ5, VEP5, VPX5, VPXP, VPXP/A, VS15, VSD5, VSEP, VSP, VSP/A, VTE5, VWC5, VWE5, VWT5, VX, VX8, VXB5, VXE, VXE8, VXE8, VXG, VXH, VXX, VXX2, VXU1
2	19610-ZE3-700ZB	COVER COMP., FAN	1	-	-	-	-	-----	ES2, ES3
	19610-ZE3-700ZK	*NH1*.....BLACK	1	-	-	-	-	-----	ES2, ES3, VMQ3, VMT2, VMT3, VSB4, VSB5
	19610-ZE3-010ZL	*R280*.....POWER RED	1	-	-	-	-	-----	LH, LH2, LHB5, LHP1, LP, LT, LXE8, LXE9, LXU, PX, PXE8, PXU, QA2, QA26, QAA2, QAA5, QAPW, QBE1, QH, QHB1, QHB3, QHB5, QHP1, QMH, QN, QP, QT, QTD, QTN, QX, QXE, QXE8, QXEK, QXK, QXQ4, QXU, SH, SHE, SN, SWE, SWE2, SWX, SWX2, SX, SXC, SXE, SXE8, SXQ4, VSP, VTE5, VX, VX8, VXE, VXE8, VXX, VXX2, VXU1
	19610-ZE3-010ZB	*NH1*.....BLACK	1	-	-	-	-	-----	QA2, QAA2, QAPW
	19610-ZE3-700ZL	*NH105*....MAT BLACK(#15-#20)	1	-	-	-	-	-----	VS4, VS6
	19610-Z5T-000ZB	*NH1*.....BLACK	-	1	1	1	1	-----	LEAJ, LFU, LTK1, LWD, LWP1, LXE5, LXQ5, PKT5, PXE5, PXU5, QA25, QAA5, QAPW, QAPW/A, QC55, QC95, QK45, QKA5, QMAH, QMAH/A, QNR5, QPW, QX5, QXE5, QXQ5, QXU5, SC15, SC5, SCM5, SEM, SHMV, SJG, SM11, SME5, SMEJ, SMM, SMTP, SWA5, SWD4, SWDH, SWDL, SX5, SXE5, SXX, SXX1, SXQ5, VWC5, VWE5

E-12

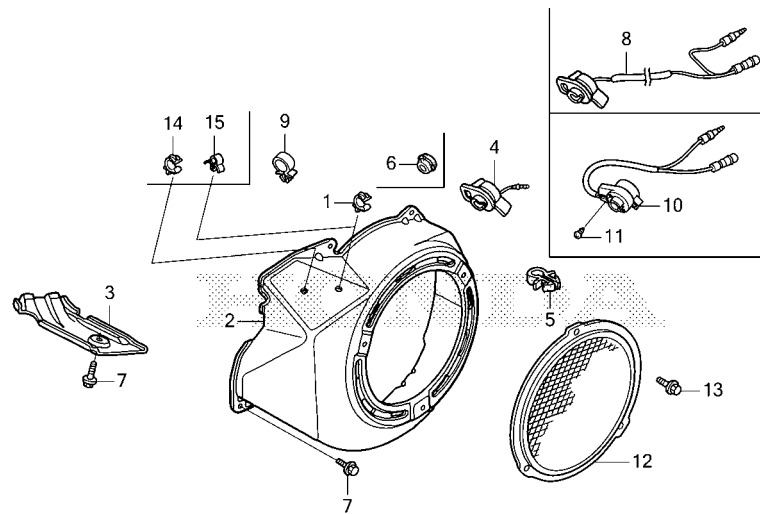
FAN COVER(1)

Ref. No.	Part No.	Description	Reqd. QTY					Serial No.	Parts catalogue code
			GX 390 T1	GX 390 T2	GX 390 T2X	GX 390 UT2	GX 390 UT2X		
(2)	19610-Z5T-000ZA	COVER COMP., FAN *R280*.....POWER RED	-	1	1	1	1	-----	LFU, LH, LH2, LHB5, LHP1, LTK1, LWD, LWD1, LWP1, LXE5, LXE9, LXQ5, PX PXE5, PXU5, QA25, QAA5, QAPW, QAPW/A, QBE1, QBE1/A, QC1, QC2, QC55 QC95, QCT, QCWE, QH, QHB1, QHB1/A, QHB2, QHB2/A, QHB3, QHB5, QHP1 QHT, QHT1, QHTN, QK45, QKA5, QMH, QN, QNR5, QP, QPW, QTD, QTE, QTN, QX QX5, QXE, QXE5, QXEK, QXK, QXQ5, QXU5, SC15, SC5, SCC, SCM5, SH, SJG SM11, SME5, STCH, SWA5, SWE2, SWSC, SWX, SWX2, SX, SX5, SXC, SXE5 SXQ5, VSP, VSP/A, VTE5, VWC5, VWE5, VX, VXE, VXEH, VXH, VXX, VXU1
	19610-Z5T-800ZA	*R280*.....POWER RED	-	1	-	-	-	-----	EDS1, EDS5, EDT1, EDT5, ES2, ES5, EWS1, EWS3, EWS4, EWS5, VMQ3, VMT VMT2, VMT3, VS3, VS5, VSB3, VSB4
	19610-Z5T-800ZC	*NH1*.....BLACK	-	1	-	-	-	-----	EDS1, EDS5, EDT1, EDT5, ES2, ES5, EWS1, EWS3, EWS4, EWS5, VS3, VS4 VS5, VS6
	19610-Z1C-890ZB	COVER ASSY., FAN *NH1*.....BLACK	-	1	-	-	-	-----	QNG, QTG
	19610-Z1C-890ZA	*R280*.....POWER RED	-	1	-	-	-	-----	QNG, QTG, QXG, VXG
	19610-Z5T-810ZB	COVER COMP., FAN *R280*.....POWER RED	-	1	-	-	-	-----	QXA5, QXB5, VEP5, VPX5, VPXP, VPXP/A, VS15, VSD5, VSEP, VWT5, VXB5 QXA5, QXB5, VEP5, VPX5, VS15, VSD5, VWT5, VXB5
	19610-Z5T-810ZA	*NH1*.....BLACK	-	1	-	-	-	-----	ES2, ES3, LH, LH2, LHB5, LHP1, LP, LT, LXE8, LXE9, LXU, PX, PXE8, PXU QA2, QA26, QAA2, QAA6, QAPW, QBE1, QH, QHB1, QHB3, QHB5, QHP1, QMH QN, QP, QT, QTD, QTN, QX, QXE, QXE8, QXEK, QXK, QXQ4, QXU, SH, SHE, SN SWE, SWE2, SWX, SWX2, SX, SXC, SXE, SXE8, SXQ4, VMQ3, VMT2, VMT3, VS4 VS6, VSB4, VSB5, VSP, VTE5, VX, VX8, VXE, VXE8, VXX, VXX2, VXU1
3	19631-ZE3-W00	SHROUD.....	1	-	-	-	-	-----	EDS1, EDS5, EDT1, EDT5, ES2, ES5, EWS1, EWS3, EWS4, EWS5, LEAJ, LFU LH, LH2, LHB5, LHP1, LTK1, LWD, LWD1, LWP1, LXE5, LXE9, LXQ5, PKT5 PX, PXE5, PXU5, QA25, QAA5, QAPW, QAPW/A, QBE1, QBE1/A, QC1, QC2 QC55, QC95, QCT, QCWE, QH, QHB1, QHB1/A, QHB2, QHB2/A, QHB3, QHB5 QHP1, QHT, QHT1, QHTN, QK45, QKA5, QMAH, QMAH/A, QMH, QN, QNG, QNR5 QP, QPW, QTD, QTE, QTG, QTN, QX, QX5, QXA5, QXB5, QXE, QXE5, QXEK, QXG QXK, QXQ5, QXU5, SC15, SC5, SCC, SCM5, SEM, SH, SHMV, SJG, SM11, SME5 SMEJ, SMM, SMTTP, STCH, SWA5, SWD4, SWDH, SWDL, SWE2, SWSC, SWX, SWX2 SX, SX5, SXC, SXE5, SXX, SXX1, SXQ5, VEP5, VMQ3, VMT, VMT2, VMT3 VPX5, VPXP, VPXP/A, VS15, VS3, VS4, VS5, VS6, VSB3, VSB4, VSD5, VSEP VSP, VSP/A, VTE5, VWC5, VWE5, VWT5, VX, VXB5, VXE, VXEH, VXG, VXH VXX, VXU1
	19631-Z5T-000	-	1	1	1	1	-----	LH, LH2, LHB5, LHP1, LT, QH, QHB3, QHB5, QHP1, QMH, QN, QP, QT, QTD QTN, SH, SN
4	35120-Z0D-V81	SWITCH ASSY., ENGINE STOP.....	1	-	-	-	-	-----	ES2, ES3, LH, LH2, LHB5, LHP1, LP, LT, LXE8, LXE9, PXE8, QBE1, QH QHB1, QHB3, QHB5, QHP1, QMH, QN, QP, QT, QTD, QTN, QXE, QXE8, QXEK, SH SHE, SN, SWE, SWE2, SXE, SXE8, VMQ3, VMT2, VMT3, VS4, VSB4, VTE5, VXE VXE8, VXX, VXU1
5	36103-ZE1-000	HOLDER, STOP SWITCH CORD.....	1	-	-	-	-	-----	ES2, LH, LH2, LHB5, LHP1, LWD, LXE5, LXE9, PXE5, QBE1, QBE1/A, QH QHB1, QHB3, QKA5, QMH, QNR5, QP, QTD, QTE, QX5, QXE, QXE5, QXEK, SC5 SH, SWE2, SXE5, VMQ3, VMT, VMT2, VMT3, VS4, VSB4, VTE5, VXE, VXX VXU1
			-	1	-	-	-	-----	EDS1, EDS5, EDT1, EDT5, ES2, ES3, ES5, EWS1, EWS3, EWS4, EWS5, LEAJ LFU, LP, LTK1, LWD, LWD1, LWP1, LXE5, LXE8, LXE9, PXE5, PXE8, QBE1 QBE1/A, QC55, QHB1, QHB1/A, QHB2, QHB2/A, QKA5, QMAH, QMAH/A, QNR5 QTE, QX5, QXE, QXE5, QXE8, QXEK, SC15, SC5, SCC, SCM5, SEM, SHE, SMEJ SMM, SMTTP, SWD4, SWDH, SWDL, SWE, SWE2, SX5, SXE, SXE5, SXE8, SXX SXX1, VEP5, VMQ3, VMT, VMT2, VMT3, VS15, VS3, VS4, VS5, VS6, VSB3 VSB4, VSB5, VSEP, VTE5, VWC5, VWE5, VWT5, VXE, VXE8, VXEH, VXH, VXX VXU1
			-	1	-	-	-	1620172	QHB3, QN
6	81329-567-020	GROMMET, DRAIN HOLE.....	1	1	-	1	1	-----	EDS1, EDS5, EDT1, EDT5, ES2, ES3, ES5, EWS1, EWS3, EWS4, EWS5, LEAJ LFU, LP, LTK1, LWD, LWD1, LWP1, LXE5, LXE8, LXE9, PXE5, PXE8, QBE1 QBE1/A, QC55, QHB1, QHB1/A, QHB2, QHB2/A, QKA5, QMAH, QMAH/A, QNR5 QTE, QX5, QXE, QXE5, QXE8, QXEK, SC15, SC5, SCC, SCM5, SEM, SHE, SMEJ SMM, SMTTP, SWD4, SWDH, SWDL, SWE, SWE2, SX5, SXE, SXE5, SXE8, SXX SXX1, VEP5, VMQ3, VMT, VMT2, VMT3, VS15, VS3, VS4, VS5, VS6, VSB3 VSB4, VSB5, VSEP, VTE5, VWC5, VWE5, VWT5, VXE, VXE8, VXEH, VXH, VXX VXU1



E-12

FAN COVER(1)

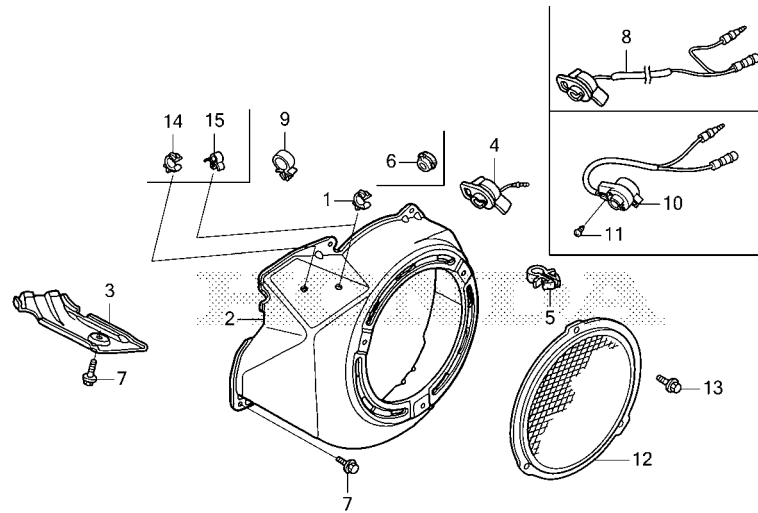


Z1C0E1200E

Ref. No.	Part No.	Description	Reqd. QTY					Serial No.	Parts catalogue code
			GX 390 T1	GX 390 T2	GX 390 T2X	GX 390 UT2	GX 390 UT2X		
7	90013-883-000	BOLT, FLANGE, 6X12(CT200).....	6	6	6	6	6	-----	EDS1, EDS5, EDT1, EDT5, ES2, ES3, ES5, EWS1, EWS3, EWS4, EWS5, LEAJ LFU, LH, LH2, LHB5, LHP1, LP, LT, LTK1, LWD, LWD1, LWP1, LXE5, LXE8 LXE9, LXQ5, LXU, PKT5, PX, PXE5, PXE8, PXU, PXU5, QA2, QA25, QA26 QAA2, QAA5, QAA6, QAPW, QAPW/A, QBE1, QBE1/A, QC1, QC2, QC55, QC95 QCT, QCWE, QH, QHB1, QHB1/A, QHB2, QHB2/A, QHB3, QHB5, QHP1, QHT QHT1, QHTN, QK45, QKA5, QMAH, QMAH/A, QMH, QN, QNG, QNR5, QP, QPW, QT QTD, QTE, QTG, QTN, QX, QX5, QXA5, QXB5, QXE, QXE5, QXE8, QXEK, QXG QXK, QXQ4, QXQ5, QXU, QXU5, SC15, SC5, SCC, SCM5, SEM, SH, SHE, SHMV SJG, SM11, SME5, SMEJ, SMM, SMTP, SN, STCH, SWA5, SWD4, SWDH, SWDL SWE, SWE2, SWSC, SWX, SWX2, SX, SX5, SXC, SXE, SXE5, SXE8, SXX, SXX1 SXQ4, SXQ5, VEP5, VMQ3, VMT, VMT2, VMT3, VPX5, VPXP, VPXP/A, VS15 VS3, VS4, VS5, VS6, VSB3, VSB4, VSB5, VSD5, VSEP, VSP, VSP/A, VTE5 VVC5, VVE5, VMT5, VX, VX8, VXB5, VXE, VXE8, VXEH, VXG, VXH, VXX, VXX2 VXU1
8	36100-ZF6-P81	SWITCH ASSY., ENGINE STOP.....	1	-	-	-	-	-----	LXU, PX, PXU, QA2, QA26, QAA2, QAA6, QX, QXK, QXQ4, QXU, SWX, SX, SXC SXQ4, VSP, VX, VX8
	36100-ZF6-P82	1	-	-	-	-	-----	QAPW, SWX2, VXX2
9	90654-SA4-003	CLIP, WIRE HARNESS, 6MM(WHITE)	2	2	-	-	-	-----	EDS1, EDS5, EDT1, EDT5, ES2, ES3, ES5, EWS1, EWS3, EWS4, EWS5, VMQ3 VMT, VMT2, VMT3, VS3, VS4, VS5, VS6, VSB3, VSB4, VSB5
10	35120-Z5T-003	SWITCH ASSY., ENGINE STOP.....	-	1	1	-	-	-----	LH, LH2, LHB5, LHP1, LXQ5, PKT5, PX, PXU5, QA25, QAA5, QAPW, QAPW/A QC1, QC2, QC95, QCT, QCWE, QH, QHB3, QHB5, QHP1, QHT, QHT1, QHTN QK45, QMH, QN, QNG, QP, QPW, QTD, QTG, QTN, QX, QXA5, QXB5, QXG, QXK QXQ5, QXU5, SH, SHMV, SJG, SM11, SME5, STCH, SWA5, SWSC, SWX, SWX2 SX, SXC, SXQ5, VPX5, VPXP, VPXP/A, VSD5, VSP, VSP/A, VX, VXB5, VXG

E-12

FAN COVER(1)



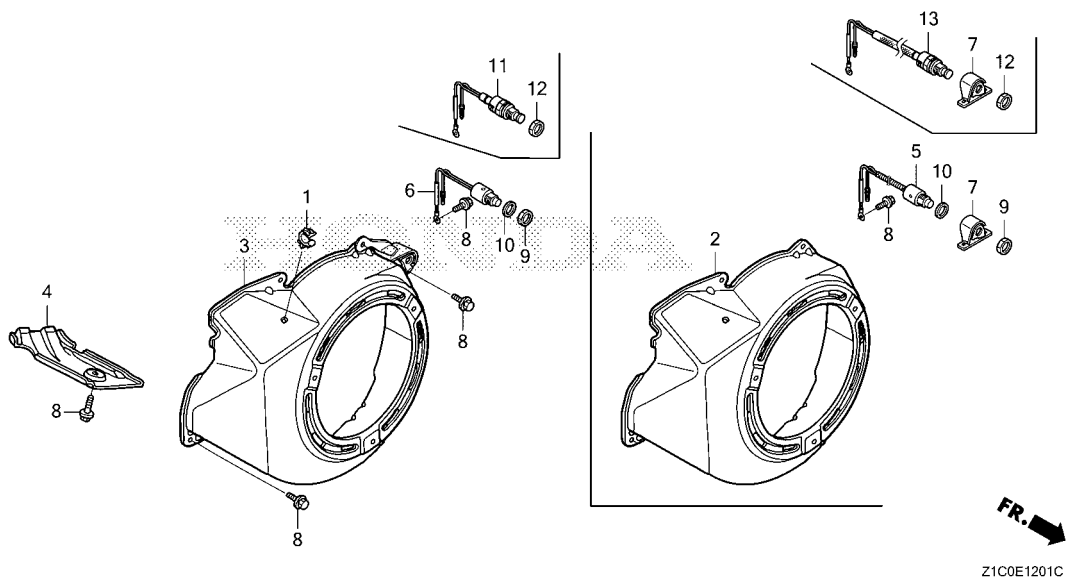
Z1C0E1200E

Ref. No.	Part No.	Description	Reqd. QTY					Serial No.	Parts catalogue code
			GX 390 T1	GX 390 T2	GX 390 T2X	GX 390 UT2	GX 390 UT2X		
11	90004-Z5T-000	SCREW, TAPPING, 3X6(PO).....	-	2	2	-	-	-----	LH, LH2, LHB5, LHP1, LXQ5, PKT5, PX, PXU5, QA25, QAA5, QAPW, QAPW/A, QC1, QC2, QC95, QCT, QCWE, QH, QHB3, QHB5, QHP1, QHT, QHT1, QHTN, QK45, QMH, QN, QNG, QP, QPW, QTD, QTG, QTN, QX, QXA5, QXB5, QXG, QXK, QXQ5, QXU5, SH, SHMV, SJG, SM11, SME5, STCH, SWA5, SWSC, SWX, SWX2, SX, SXC, SXQ5, VPX5, VPXP, VPXP/A, VSD5, VSP, VSP/A, VX, VXB5, VXG
12	19620-ZE3-811 19620-ZE3-L60ZA	PROTECTOR COMP., FAN COVER... *NH1*.....BLACK	-	1	-	-	-	-----	LTK1, LWD1 SMTP, SXX, SXX1
13	90008-ZE2-003	BOLT, FLANGE, 6X10.....	-	3	-	-	-	-----	LTK1, LWD1, SMTP, SXX, SXX1
14	16731-ZE2-003	CLIP, TUBE.....	-	1	-	-	-	-----	QNG, QTG
15	90659-170-000	CLIP, CABLE, 6MM(WHITE).....	-	1	-	-	-	-----	QNG, QTG, QXG, VXG



E-12-1

FAN COVER(2)

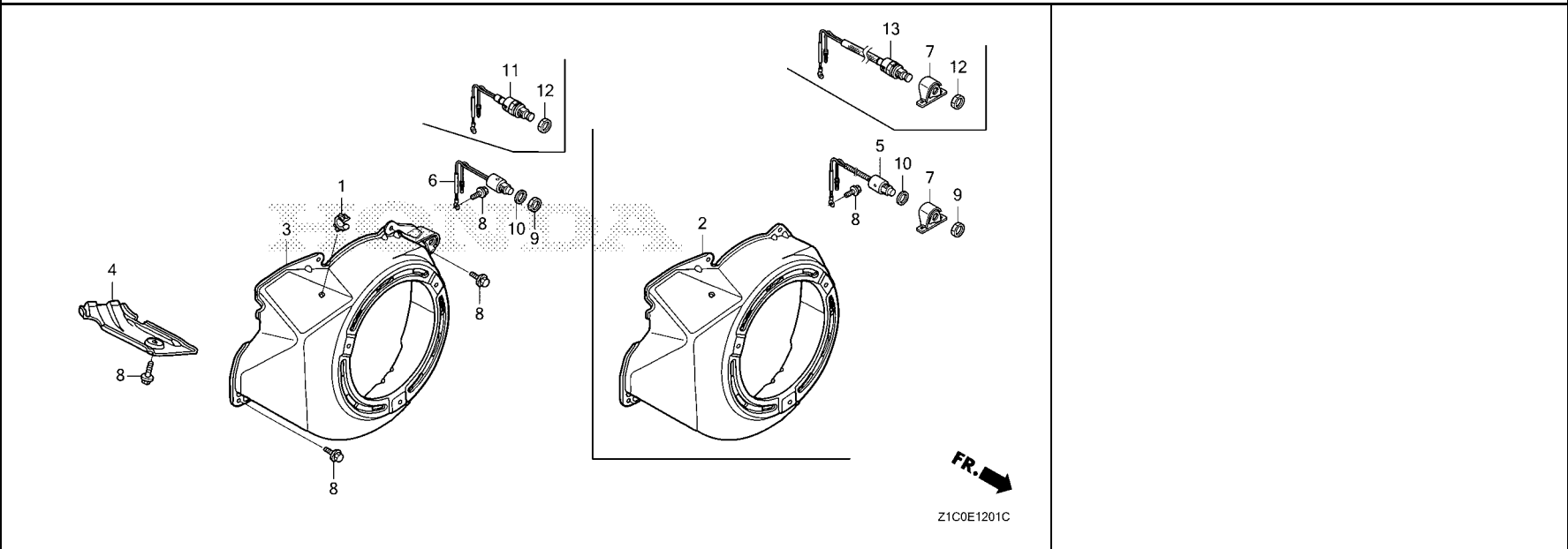


Ref. No.	L.O.N.	(Relative ref. Number) Description	F.R.T.
3	(2)		
1141G8		COVER, ENGINE COOLING FAN	0.2
6	(5,11,13)		
6151D9		SWITCH, ENGINE STOP	0.2

Ref. No.	Part No.	Description	Reqd. QTY					Serial No.	Parts catalogue code
			GX 390 T1	GX 390 T2	GX 390 T2X	GX 390 UT2	GX 390 UT2X		
1	16731-ZE2-003	CLIP, TUBE	1	1	-	-	-	LBD, LBH, LBHB, LBHS, LBP, QBD, QBH, QBHS, QBHZ, QBL, QBLS, QBP, QBS, QBS1, QBT	
2	19610-Z1C-800ZA	COVER COMP., FAN *R280* POWER RED	1	-	-	-	-	LBHB	
	19610-Z1C-830ZA	*R280* POWER RED	-	1	-	-	-	LBHB, LBP, QBP	
3	19610-Z1C-820ZA	COVER COMP., FAN *R280* POWER RED	1	-	-	-	-	LBH, LBHS, QBH, QBHS, QBL, QBS	
	19610-Z1C-840ZA	*R280* POWER RED	-	1	-	-	-	LBD, LBH, LBHS, QBD, QBH, QBHS, QBHZ, QBL, QBLS, QBS, QBS1, QBT	
4	19631-Z1C-810	SHROUD	1	-	-	-	-	LBH, LBHB, LBHS, QBH, QBHS, QBL, QBS	
	19631-Z1C-820	-	1	-	-	-	LBD, LBH, LBHB, LBHS, LBP, QBD, QBH, QBHS, QBHZ, QBL, QBLS, QBP, QBS, QBS1, QBT	
5	35120-Z0V-811	SWITCH ASSY., ENGINE STOP	1	-	-	-	-	LBHB	
			-	1	-	-	1605164	LBHB	
6	35120-Z0V-821	SWITCH ASSY., ENGINE STOP	1	-	-	-	-	LBH, LBHS, QBH, QBHS, QBL, QBS	
			-	1	-	-	-	QBL, QBS, QBS1	
			-	1	-	-	1605164	LBH, LBHS, QBH, QBHS	
7	35124-Z0T-810	BRACKET COMP., STOP SWITCH (BANKA)	1	1	-	-	-	LBHB, LBP, QBP	
8	90013-Z0T-810	BOLT, FLANGE, 6X12(CT200)	7	7	-	-	-	LBD, LBH, LBHB, LBHS, LBP, QBD, QBH, QBHS, QBHZ, QBL, QBLS, QBP, QBS, QBS1, QBT	
9	90302-921-000	NUT, HEX., 16MM	1	-	-	-	-	LBH, LBHB, LBHS, QBH, QBHS, QBL, QBS	
			-	1	-	-	-	QBL, QBS, QBS1	
			-	1	-	-	1605164	LBH, LBHB, LBHS, QBH, QBHS	
10	90401-Z0T-800	WASHER, 16MM	1	-	-	-	-	LBH, LBHB, LBHS, QBH, QBHS, QBL, QBS	
			-	1	-	-	-	QBL, QBS, QBS1	
			-	1	-	-	1605164	LBH, LBHB, LBHS, QBH, QBHS	

E-12-1

FAN COVER(2)

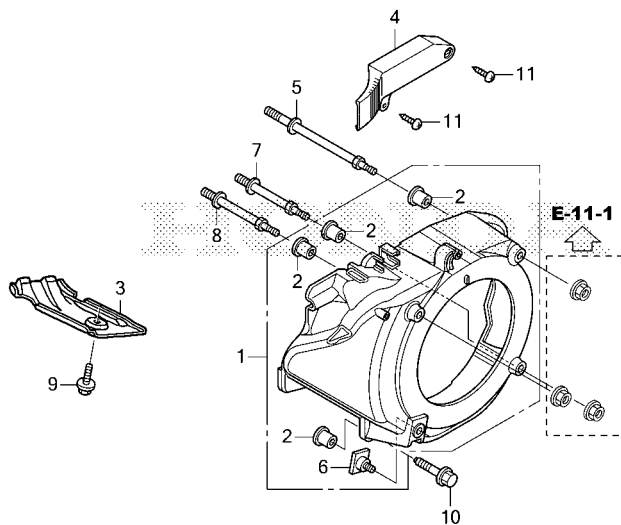


Ref. No.	Part No.	Description	Reqd. QTY					Serial No.	Parts catalogue code
			GX 390 T1	GX 390 T2	GX 390 T2X	GX 390 UT2	GX 390 UT2X		
11	35120-Z1C-003	SWITCH ASSY., ENGINE STOP....	-	1	-	-	-	-----	LBD, QBD, QBHZ, QBL, QBT
12	35129-Z1C-003	NUT, HEX., 16MM.....	-	1	-	-	1605165	-----	LBH, LBHS, QBH, QBHS
13	35120-Z1C-801	SWITCH ASSY., ENGINE STOP....	-	1	-	-	1605165	-----	LBD, LBP, QBD, QBHZ, QBL, QBP, QBT
			-	1	-	-	1605165	-----	LBH, LBHB, LBHS, QBH, QBHS
			-	1	-	-	1605165	-----	LBP, QBP
			-	1	-	-	1605165	-----	LBHB



E-12-2

FAN COVER(3)

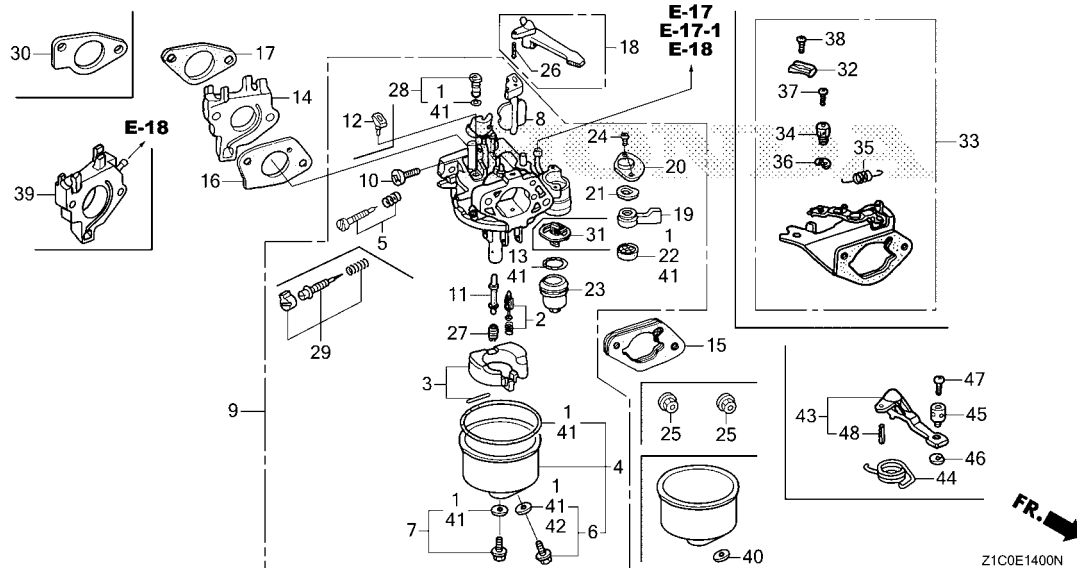


Ref. No.	L.O.N.	(Relative ref. Number) Description	F.R.T.
1	1141G9	COVER, ENGINE COOLING FAN(A)	0.3

Ref. No.	Part No.	Description	Reqd. QTY					Serial No.	Parts catalogue code
			GX 390 T1	GX 390 T2	GX 390 T2X	GX 390 UT2	GX 390 UT2X		
1	19610-Z5T-W00ZB	COVER COMP., FAN	-	-	-	-	-		
		R280.....POWER RED	-	1	-	-	-	-----	EZD5, EZDS, EZS4, EZS5, QZSD, QZSL, SZSK, VZKK, VZS6, VZX
	19610-Z5T-W00ZA	*NH1*.....BLACK	-	1	-	-	-	-----	EZD5, EZDS, EZS4, EZS5, QZSD, QZSL, VZS5
2	19619-ZL8-300	COLLAR, FAN COVER	-	4	-	-	-	-----	EZD5, EZDS, EZS4, EZS5, QZSD, QZSL, SZSK, VZKK, VZS5, VZS6, VZX
3	19631-Z5T-000	SHROUD	-	1	-	-	-	-----	EZD5, EZDS, EZS4, EZS5, QZSD, QZSL, SZSK, VZKK, VZS5, VZS6, VZX
4	30421-Z5T-W00	COVER, ELECTRONIC PARTS	-	1	-	-	-	-----	QZSD, SZSK, VZKK, VZX
5	90002-Z5T-W00	BOLT, STUD(SEL)	-	1	-	-	-	-----	1156148 EZDS, EZS4, EZS5, VZS5, VZS6
			-	-	-	-	-	-----	EZD5, EZDS, EZS4, EZS5, QZSD, QZSL, SZSK, VZKK, VZS5, VZS6, VZX
6	90003-Z2E-000	BOLT, SPECIAL, 6MM	-	1	-	-	-	-----	EZD5, EZDS, EZS4, EZS5, QZSD, QZSL, SZSK, VZKK, VZS5, VZS6, VZX
7	90003-Z5T-W00	BOLT, STUD	-	1	-	-	-	-----	EZD5, EZDS, EZS4, EZS5, QZSD, QZSL, SZSK, VZKK, VZS5, VZS6, VZX
8	90007-Z5T-W00	BOLT B, STUD	-	1	-	-	-	-----	EZD5, EZDS, EZS4, EZS5, QZSD, QZSL, SZSK, VZKK, VZS5, VZS6, VZX
9	90013-883-000	BOLT, FLANGE, 6X12(CT200)	-	1	-	-	-	-----	EZD5, EZDS, EZS4, EZS5, QZSD, QZSL, SZSK, VZKK, VZS5, VZS6, VZX
10	90121-952-000	BOLT, FLANGE, 6X25(CT200)	-	1	-	-	-	-----	EZD5, EZDS, EZS4, EZS5, QZSD, QZSL, SZSK, VZKK, VZS5, VZS6, VZX
11	93913-25580	SCREW, TAPPING, 5X20	-	2	-	-	-	-----	QZSD, SZSK, VZKK, VZX
			-	2	-	-	-	-----	1156148 EZDS, EZS4, EZS5, VZS5, VZS6

E-14

CARBURETOR(1)



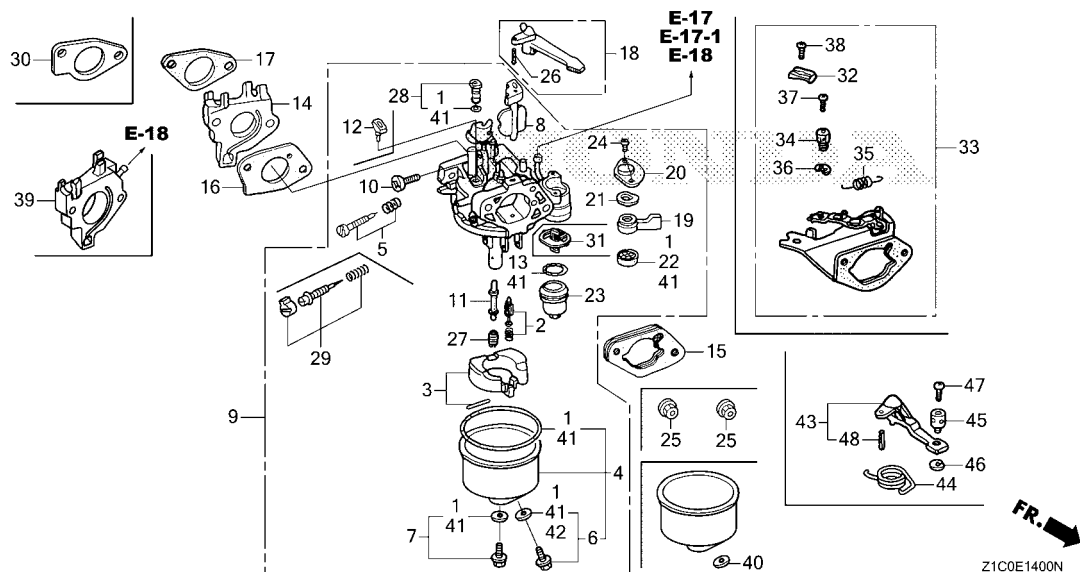
Ref. No.	L.O.N.	(Relative ref. Number) Description	F.R.T.
1		(41)	
3111B1		GASKET SET, CARBURETOR	0.3
2		(3)	
3111E1		FLOAT VALVE SET AND/OR FLOAT SET	0.3
5		(29)	
3111D7		SCREW SET, PILOT	0.2
8		8101DU CHOKE SET, CARBURETOR(A)	0.2
9		3111F3 CARBURETOR	0.2
13		(23,31)	
3101L6		PACKING, FUEL STRAINER CUP	0.2
14		(17,30,39)	
3111C0		CARBURETOR INSULATOR AND/OR PACKING	0.2
16		3111C8 PACKING, CARBURETOR	0.2
18		(43)	
8101F9		LEVER, CARBURETOR CHOKE	0.2
22		(19,20,21)	
3101C5		PACKING, FUEL COCK	0.2
27		(11)	
3111C3		JET, MAIN	0.3
33		3111G3 STAY, CHOKE CONTROL	0.2

Ref. No.	Part No.	Description	Reqd. QTY					Serial No.	Parts catalogue code
			GX 390 T1	GX 390 T2	GX 390 T2X	GX 390 UT2	GX 390 UT2X		
1	16010-ZE2-015	GASKET SET	1	-	-	-	-	LBH, LBHB, LBHS, LT, QBE1, QBH, QBHS, QBL5, QBS, QHB1, QN, QP, QT, QTD, QTN, SWE, SWE2, SWX, SWX2, VTE5	
2	16011-ZA0-931	VALVE SET, FLOAT	1	1	1	1	1	LBD, LBH, LBHB, LBHS, LBP, QBD, QBH, QBHS, QBHZ, QBL, QBL5, QBP, QBS, QBS1, QBT, QC1, QC2, QC55, QC95, QCT, QCWE, QH, QHB1, QHB1/A, QHB2/A, QHB3, QHB5, QHP1, QHT, QHT1, QHTN, QK45, QKA5, QMAH, QMAH/A, QMH, QN, QNR5, QP, QPW, QTD, QTE, QTN, QX, QX5, QXA5, QXB5, QXE, QXE5, QXE8, QXEK, QXK, QXQ4, QXQ5, QXU, QXU5, SC15, SC5, SCC, SCM5, SEM, SH, SHE, SHMV, S3G, SM11, SME5, SMEJ, SMM, STCH, SWA5, SWD4, SWE, SWE2, SWSC, SWX, SWX2, SX, SX5, SXC, SXE, SXE5, SXE8, SXQ4, SXQ5, VSD5, VSP, VSP/A, VTE5, VWT5, VX, VX8, VXB5, VXE, VXE8, VXX, VXX2, VXU1	
3	16013-Z1C-003	FLOAT SET	1	1	1	1	1	LBD, LBH, LBHB, LBHS, LBP, LEAJ, LH, LH2, LHB5, LHP1, LP, LT, LTK1, LWD, LWP1, LXE5, LXE8, LXE9, LXQ5, LXU, PKT5, PX, PXE5, PXE8, PXU, PXU5, QA2, QA25, QA26, QAA2, QAA5, QAA6, QAPW, QAPW/A, QBD, QBE1, QBE1/A, QBH, QBHS, QBHZ, QBL, QBL5, QBP, QBS, QBS1, QBT, QC1, QC2, QC55, QC95, QCT, QCWE, QH, QHB1, QHB1/A, QHB2/A, QHB3, QHB5, QHP1, QHT, QHT1, QHTN, QK45, QKA5, QMAH, QMAH/A, QMH, QN, QNR5, QP, QPW, QTD, QTE, QTN, QX, QX5, QXA5, QXB5, QXE, QXE5, QXE8, QXEK, QXK, QXQ4, QXQ5, QXU, QXU5, SC15, SC5, SCC, SCM5, SEM, SH, SHE, SHMV, S3G, SM11, SME5, SMEJ, SMM, STCH, SWA5, SWD4, SWE, SWE2, SWSC, SWX, SWX2, SX, SX5, SXC, SXE, SXE5, SXE8, SXQ4, SXQ5, VSD5, VSP, VSP/A, VTE5, VWT5, VX, VX8, VXB5, VXE, VXE8, VXX, VXX2, VXU1	
4	16015-Z1C-801	CHAMBER SET, FLOAT	1	1	-	-	-	LBD, LBH, LBHB, LBHS, LBP, QBD, QBH, QBHS, QBHZ, QBL, QBL5, QBP, QBS, QBS1, QBT	



E-14

CARBURETOR(1)



Ref. No.	Part No.	Description	Reqd. QTY					Serial No.	Parts catalogue code
			GX 390 T1	GX 390 T2	GX 390 T2X	GX 390 UT2	GX 390 UT2X		
(4)	16015-ZE8-005	CHAMBER SET, FLOAT	1	-	-	-	-	LH, LH2, LHB5, LHP1, LP, LT, LXE8, LXE9, LXU, PX, PXE8, PXU, QA2, QA26, QAA2, QAA6, QAPW, QBE1, QH, QHB1, QHB3, QHB5, QHP1, QMH, QN, QP, QT, QTD, QTN, QX, QXE, QXE8, QXEK, QXK, QXQ4, QXU, SH, SHE, SWE, SWE2, SWX, SWX2, SX, SXC, SXE, SXE8, SXQ4, VSP, VTE5, VX, VX8, VXE, VXE8, VXX, VXX2, VXU1	
	16015-Z5T-901		-	1	1	1	1	LEAJ, LH, LH2, LHB5, LHP1, LTK1, LWD, LWP1, LXE5, LXE9, LXQ5, PKT5, PX, PXE5, PXU5, QA25, QAA5, QAPW, QAPW/A, QBE1, QBE1/A, QC1, QC2, QC55, QC95, QCT, QCWE, QH, QHB1, QHB1/A, QHB2/A, QHB3, QHB5, QHP1, QHT, QHT1, QHTN, QK45, QKA5, QMAH, QMAH/A, QMH, QN, QNR5, QP, QPW, QTD, QTE, QTN, QX, QX5, QXA5, QXB5, QXE, QXE5, QXEK, QXK, QXQ5, QXU5, SC15, SC5, SCC, SCM5, SEM, SH, SHMV, SJG, SM11, SME5, SMEJ, SMM, STCH, SWA5, SWD4, SWE2, SWSC, SWX, SWX2, SX, SX5, SXC, SXE5, SXQ5, VSD5, VSP, VSP/A, VTE5, VWT5, VX, VXB5, VXE, VXX, VXU1	
5	16016-ZF6-005	SCREW SET, PILOT	1	-	-	-	-	LBH, LBHB, LBHS, LH, LH2, LHB5, LHP1, LXE8, LXE9, LXU, PX, PXE8, PXU, QBH, QBHS, QBL5, QBS, QH, QHB3, QHB5, QHP1, QMH, QX, QXE, QXE8, QXEK, QXK, QXU, SH, SHE, SX, SXC, SXE, SXE8, VX, VX8, VXE, VXE8, VXX, VXX2, VXU1	
	16016-ZE0-005		1	-	-	-	-	LP, LT, QBE1, QHB1, QN, QP, QT, QTD, QTN, SWE, SWE2, SWX, SWX2, VTE5	
	16016-ZF6-005		-	1	-	-	-	LBD, LBH, LBHB, LBHS, LBP, LH, LH2, LHB5, LHP1, LTK1, LXE9, PX, QBD, QBE1, QBH, QBHS, QBHZ, QBL, QBL5, QBP, QBS, QBS1, QBT, QH, QHB1, QHB3, QHB5, QHP1, QHT, QHT1, QHTN, QMH, QN, QP, QTD, QTE, QTN, QX, QXE, QXEK, QXK, SH, SWE2, SWSC, SWX, SWX2, SXC, VTE5, VX, VXE, VXX, VXU1	
			-	1	-	-	-	1338488 SX	
6	16024-Z0T-841	SCREW SET, DRAIN	1	1	-	-	-	LBD, LBH, LBHB, LBHS, LBP, QBD, QBH, QBHS, QBHZ, QBL, QBL5, QBP, QBS, QBS1, QBT	

E-14

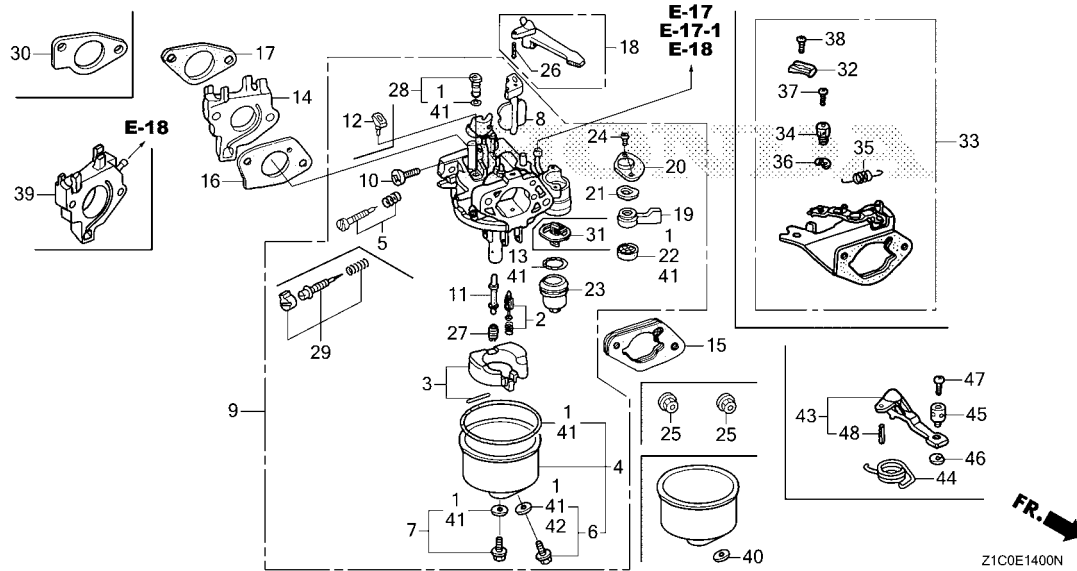
CARBURETOR(1)

Ref. No.	Part No.	Description	Reqd. QTY					Serial No.	Parts catalogue code
			GX 390 T1	GX 390 T2	GX 390 T2X	GX 390 UT2	GX 390 UT2X		
(6)	16024-ZE1-811	SCREW SET, DRAIN.....	1	-	-	-	-	LH, LH2, LHB5, LHP1, LP, LT, LXE8, LXE9, LXU, PX, PXE8, PXU, QA2, QA26, QAA2, QAA6, QAPW, QBE1, QH, QHB1, QHB3, QHB5, QHP1, QMH, QN, QP, QT, QTD, QTN, QX, QXE, QXE8, QXEK, QXK, QXQ4, QXU, SH, SHE, SWE, SWE2, SWX, SWX2, SX, SXC, SXE, SXE8, SXQ4, VSP, VTE5, VX, VX8, VXE, VXE8, VXX, VXX2, VXU1	
	16024-Z5T-901	-	1	1	1	1	LEAJ, LH, LH2, LHB5, LHP1, LTK1, LWD, LWP1, LXE5, LXE9, LXQ5, PKT5, PX, PXE5, PXU5, QA25, QAA5, QAPW, QAPW/A, QBE1, QBE1/A, QC1, QC2, QC55, QC95, QCT, QCWE, QH, QHB1, QHB1/A, QHB2/A, QHB3, QHB5, QHP1, QHT, QHT1, QHTN, QK45, QKA5, QMAH, QMAH/A, QMH, QN, QNR5, QP, QPW, QTD, QTE, QTN, QX, QX5, QXA5, QXB5, QXE, QXE5, QXEK, QXK, QXQ5, QXU5, SC15, SC5, SCC, SCM5, SEM, SH, SHMV, SJG, SM11, SME5, SMEJ, SMM, STCH, SWA5, SWD4, SWE2, SWSC, SWX, SWX2, SX, SX5, SXC, SXE5, SXQ5, VSD5, VSP, VSP/A, VTE5, VWT5, VX, VXB5, VXE, VXX, VXU1	
7	16028-Z0T-841	SCREW SET.....	1	1	-	-	-	LBD, LBH, LBHB, LBHS, LBP, QBD, QBH, QBHS, QBHZ, QBL, QBL5, QBP, QBS, QBS1, QBT	
	16028-ZE0-005	1	-	-	-	-	LH, LH2, LHB5, LHP1, LP, LT, LXE8, LXE9, LXU, PX, PXE8, PXU, QA2, QA26, QAA2, QAA6, QAPW, QBE1, QH, QHB1, QHB3, QHB5, QHP1, QMH, QN, QP, QT, QTD, QTN, QX, QXE, QXE8, QXEK, QXK, QXQ4, QXU, SH, SHE, SWE, SWE2, SWX, SWX2, SX, SXC, SXE, SXE8, SXQ4, VSP, VTE5, VX, VX8, VXE, VXE8, VXX, VXX2, VXU1	
	16028-Z5T-901	-	1	1	1	1	LEAJ, LH, LH2, LHB5, LHP1, LTK1, LWD, LWP1, LXE5, LXE9, LXQ5, PKT5, PX, PXE5, PXU5, QA25, QAA5, QAPW, QAPW/A, QBE1, QBE1/A, QC1, QC2, QC55, QC95, QCT, QCWE, QH, QHB1, QHB1/A, QHB2/A, QHB3, QHB5, QHP1, QHT, QHT1, QHTN, QK45, QKA5, QMAH, QMAH/A, QMH, QN, QNR5, QP, QPW, QTD, QTE, QTN, QX, QX5, QXA5, QXB5, QXE, QXE5, QXEK, QXK, QXQ5, QXU5, SC15, SC5, SCC, SCM5, SEM, SH, SHMV, SJG, SM11, SME5, SMEJ, SMM, STCH, SWA5, SWD4, SWE2, SWSC, SWX, SWX2, SX, SX5, SXC, SXE5, SXQ5, VSD5, VSP, VSP/A, VTE5, VWT5, VX, VXB5, VXE, VXX, VXU1	
8	16044-ZE3-W20	CHOKE SET.....	1	-	-	-	-	LBH, LBHB, LBHS, LH, LH2, LHB5, LHP1, LP, LT, LXE8, LXE9, LXU, PX, PXE8, PXU, QA2, QA26, QAA2, QAA6, QAPW, QBE1, QBH, QBHS, QBL5, QBS, QH, QHB1, QHB3, QHB5, QHP1, QMH, QN, QP, QT, QTD, QTN, QX, QXE, QXE8, QXEK, QXK, QXQ4, QXU, SH, SHE, SWE, SWE2, SWX, SWX2, SX, SXC, SXE, SXE8, SXQ4, VSP, VTE5, VX, VX8, VXE, VXE8, VXX, VXX2, VXU1	
	16044-Z5T-901	-	1	1	1	1	LEAJ, LH, LH2, LHB5, LHP1, LTK1, LWD, LWP1, LXE5, LXE9, LXQ5, PKT5, PX, PXE5, PXU5, QA25, QAA5, QAPW, QAPW/A, QBE1, QBE1/A, QC1, QC2, QC55, QC95, QCT, QCWE, QH, QHB1, QHB1/A, QHB2/A, QHB3, QHB5, QHP1, QHT, QHT1, QHTN, QK45, QKA5, QMAH, QMAH/A, QMH, QN, QNR5, QP, QPW, QTD, QTE, QTN, QX, QX5, QXA5, QXB5, QXE, QXE5, QXEK, QXK, QXQ5, QXU5, SC15, SC5, SCC, SCM5, SEM, SH, SHMV, SJG, SM11, SME5, SMEJ, SMM, STCH, SWA5, SWD4, SWE2, SWSC, SWX, SWX2, SX, SX5, SXC, SXE5, SXQ5, VSD5, VSP, VSP/A, VTE5, VWT5, VX, VXB5, VXE, VXX, VXU1	
	16044-Z1C-881	-	1	-	-	-	LBD, LBH, LBHB, LBHS, LBP, QBD, QBH, QBHS, QBHZ, QBL, QBL5, QBP, QBS, QBS1, QBT	
9	16100-Z1C-801	CARBURETOR ASSY. (BE85W A).....	1	-	-	-	-	LBH, LBHB, LBHS, QBH, QBHS	
	16100-Z1C-601	CARBURETOR ASSY. (BE85K A).....	1	-	-	-	-	LH, LH2, LHB5, LHP1, LXE8, LXE9, LXU, PX, PXE8, PXU, QH, QHB3, QHB5, QHP1, QMH, QX, QXE, QXE8, QXEK, QXK, QXU, SH, SHE, SX, SXC, SXE, SXE8, LP	
	16100-Z1C-Y31	CARBURETOR ASSY. (BE85P A).....	1	-	-	-	-	LT, QBE1, QHB1, QN, QP, QT, QTD, QTN, SWE, SWE2, SWX, SWX2, VTE5	
	16100-Z1C-W31	CARBURETOR ASSY. (BE85N A).....	1	-	-	-	-	QA2, QA26, QAA2, QAA6, QXQ4, SXQ4	
	16100-Z1C-V01	CARBURETOR ASSY. (BE85Q A).....	1	-	-	-	-	QAPW	
	16100-Z5T-801	CARBURETOR ASSY. (BE85Z A).....	1	-	-	-	-	QAPW	
	16100-Z1C-811	CARBURETOR ASSY. (BE85Y A).....	1	-	-	-	-	QBL5, QBS	
	16100-Z1C-V51	CARBURETOR ASSY. (BE85L A).....	1	-	-	-	-	VSP	
	16100-Z1C-651	CARBURETOR ASSY. (BE85M A).....	1	-	-	-	-	VX, VX8, VXE, VXE8, VXX, VXX2, VXU1	
	16100-Z5T-901	CARBURETOR ASSY. (BE88A A).....	-	1	-	1	-	LEAJ, LWP1, LXE5, LXQ5, PKT5, PXE5, PXU5, QA25, QAA5, QAPW, QK45, QKA5, QMAH, QNR5, QX5, QXA5, QXB5, QXE5, QXQ5, QXU5, SHMV, SJG, SM11, SME5, SMEJ, SWA5, SX5, SXE5, SXQ5	
	16100-Z5T-922	CARBURETOR ASSY. (BEC0A A).....	-	1	-	1	-	QAPW/A, QMAH/A, SWD4, VSP/A	
	16100-Z5T-781	CARBURETOR ASSY. (BE94J A).....	-	1	-	1	-	QC1, QC2, QC55, QC95, QCWE, SC15, SC5, SCC, SCM5, STCH	



E-14

CARBURETOR(1)



Ref. No.	Part No.	Description	Reqd. QTY					Serial No.	Parts catalogue code
			GX 390 T1	GX 390 T2	GX 390 T2X	GX 390 UT2	GX 390 UT2X		
(9)	16100-Z5T-WA1	CARBURETOR ASSY.(BEC0D A)	-	1	-	-	1	-----	SCC, SEM, SMM
	16100-Z1C-952	CARBURETOR ASSY.(BEC0G A)	-	1	-	-	-	-----	LBD, QBD, QBT
	16100-Z1C-881	CARBURETOR ASSY.(BE88M A)	-	1	-	-	-	-----	LBHB
	16100-Z1C-962	CARBURETOR ASSY.(BEC0H A)	-	1	-	-	-	-----	LBP, QBL, QBP
	16100-Z1C-901	CARBURETOR ASSY.(BE88B A)	-	1	-	-	-	-----	LH, LH2, LHB5, LHP1, LXE9, PX, QH, QHB3, QHB5, QHP1, QHT, QHT1, QHTN
	16100-Z1C-941	CARBURETOR ASSY.(BE88K A)	-	1	-	-	-	-----	QMH, QTE, QX, QXE, QXEK, QXK, SH, SXC
	16100-Z5T-932	CARBURETOR ASSY.(BE94E A)	-	1	-	-	-	-----	LTK1, QTN, SWSC
	16100-Z1C-WA1	CARBURETOR ASSY.(BEC0C A)	-	1	-	-	-	-----	LWD
	16100-Z1C-851	CARBURETOR ASSY.(BEA6E A)	-	1	-	-	-	-----	QBE1/A, QHB1/A
	16100-Z1C-891	CARBURETOR ASSY.(BE88N A)	-	1	-	-	-	-----	QBHZ
	16100-Z1C-891	CARBURETOR ASSY.(BE88N A)	-	1	-	-	-	-----	QBL5, QBS, QBS1
	16100-Z5T-P72	CARBURETOR ASSY.(BE94F A)	-	1	-	-	-	-----	QCT
	16100-Z1C-R61	CARBURETOR ASSY.(BE94H A)	-	1	-	-	-	-----	QHB2
	16100-Z1C-R62	CARBURETOR ASSY.(BE94H B)	-	1	-	-	-	-----	QHB2/A
	16100-Z1C-931	CARBURETOR ASSY.(BE88G A)	-	1	-	-	-	-----	QN, VTE5
	16100-Z1C-791	CARBURETOR ASSY.(BEA6F A)	-	1	-	-	-	-----	QPW
	16100-Z5T-911	CARBURETOR ASSY.(BE88F A)	-	1	-	-	-	-----	VSD5, VSP, VXB5
	16100-ZBH-851	CARBURETOR ASSY.(BE88V A)	-	1	-	-	-	-----	VWT5
	16100-Z1C-911	CARBURETOR ASSY.(BE88C A)	-	1	-	-	-	-----	VX, VXE, VXK, VXU1
	16100-Z1C-931	CARBURETOR ASSY.(BE88G A)	-	1	-	-	-	1200088	QBE1, QHB1, QP, QTD, SWE2, SWX, SWX2
	16100-Z1C-901	CARBURETOR ASSY.(BE88B A)	-	1	-	-	-	1338488	SX
	16100-Z1C-881	CARBURETOR ASSY.(BE88M A)	-	1	-	-	-	1605164	LBH, LBHS, QBH, QBHS
	16100-Z1C-941	CARBURETOR ASSY.(BE88K A)	-	1	-	-	-	1200089	QBE1, QHB1, QP, QTD, SWE2, SWX, SWX2
	16100-Z5T-901	CARBURETOR ASSY.(BE88A A)	-	1	-	-	-	1338489	SX
	16100-Z1C-851	CARBURETOR ASSY.(BEA6E A)	-	1	-	-	-	1605165	LBH, LBHS, QBH, QBHS
	16100-Z5T-922	CARBURETOR ASSY.(BEC0A A)	-	-	1	-	-	-----	QMAH

E-14

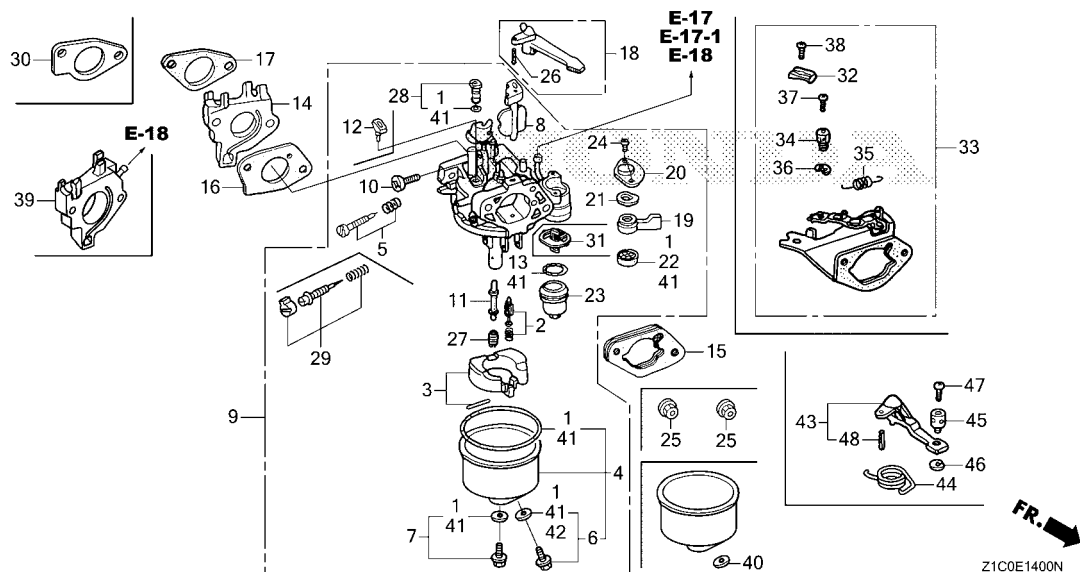
CARBURETOR(1)

Ref. No.	Part No.	Description	Reqd. QTY					Serial No.	Parts catalogue code
			GX 390 T1	GX 390 T2	GX 390 T2X	GX 390 UT2	GX 390 UT2X		
10	16124-ZE0-005	SCREW, THROTTLE STOP.....	1	1	1	1	1	-----	LBD, LBH, LBHB, LBHS, LBP, LEAJ, LH, LH2, LHB5, LHP1, LP, LT, LTK1, LWD, LWP1, LXE5, LXE8, LXE9, LXQ5, LXU, PKT5, PX, PXE5, PXE8, PXU, PXU5, QA2, QA25, QA26, QAA2, QAA5, QAA6, QAPW, QAPW/A, QBD, QBE1, QBE1/A, QBH, QBHS, QBHZ, QBL, QBL5, QBP, QBS, QBS1, QBT, QC1, QC2, QC55, QC95, QCT, QCWE, QH, QHB1, QHB1/A, QHB2/A, QHB3, QHB5, QHP1, QHT, QHT1, QHTN, QK45, QKA5, QMAH, QMAH/A, QMH, QN, QNR5, QP, QPW, QTD, QTE, QTN, QX, QX5, QXA5, QXB5, QXE, QXE5, QXE8, QXEK, QXK, QXQ4, QXQ5, QXU, QXU5, SC15, SC5, SCC, SCM5, SEM, SH, SHE, SHMV, SJG, SM11, SME5, SMEJ, SMM, STCH, SWA5, SWD4, SWE, SWE2, SWSC, SWX, SWX2, SX, SX5, SXC, SXE, SXE5, SXE8, SXQ4, SXQ5, VSD5, VSP, VSP/A, VTE5, VWT5, VX, VX8, VXB5, VXE, VXE8, VXK, VXK2, VXU1
11	16166-Z1C-801	NOZZLE, MAIN.....	1	1	-	-	-	-----	LBH, LBHB, LBHS, QBH, QBHS, QBHZ
	16166-ZF6-V00	1	-	-	-	-	-----	LH, LH2, LHB5, LHP1, LXE8, LXE9, LXU, PX, PXE8, PXU, QA2, QA26, QAA2, QAA6, QH, QHB3, QHB5, QHP1, QMH, QX, QXE, QXE8, QXEK, QXK, QXQ4, QXU, SH, SHE, SX, SXC, SXE, SXE8, SXQ4, VSP, VX, VX8, VXE, VXE8, VXK, VXK2, VXU1
	16166-ZF6-W20	1	-	-	-	-	-----	LP, LT, QAPW, QBE1, QBL5, QBS, QHB1, QN, QP, QT, QTD, QTN, SWE, SWE2, SWX, SWX2, VTE5
	16166-Z5T-901	-	1	-	1	-	-----	LEAJ, LH, LH2, LHB5, LHP1, LWP1, LXE5, LXE9, LXQ5, PKT5, PX, PXE5, PXU5, QA25, QAA5, QAPW, QH, QHB3, QHB5, QHP1, QHT, QHT1, QHTN, QK45, QKA5, QMAH, QMH, QN, QNR5, QPW, QTE, QX, QX5, QXA5, QXB5, QXE, QXE5, QXEK, QXK, QXQ5, QXU5, SH, SHMV, SJG, SM11, SME5, SMEJ, SWA5, SX, SX5, SXC, SXE5, SXQ5, VSD5, VSP, VTE5, VWT5, VX, VXB5, VXE, VXK, VXU1
	16166-Z5T-WC1	-	1	-	1	-	-----	QAPW/A, QMAH/A, SWD4, VSP/A
	16166-Z5T-781	-	1	-	1	-	-----	QC1, QC2, QC55, QC95, QCWE, SC15, SC5, SCC, SCM5, STCH
	16166-Z5T-WA1	-	1	-	-	1	-----	SCC, SEM, SMM
	16166-Z1C-952	-	1	-	-	-	-----	LBD, LBP, QBD, QBL, QBP, QBT
	16166-Z1C-941	-	1	-	-	-	-----	LTK1, QTN, SWSC
	16166-Z5T-931	-	1	-	-	-	-----	LWD, QCT
	16166-Z1C-WA1	-	1	-	-	-	-----	QBE1/A, QHB1/A
	16166-ZF6-W20	-	1	-	-	-	-----	QBL5, QBS, QBS1
	16166-Z1C-R61	-	1	-	-	-	-----	QHB2
	16166-Z1C-R62	-	1	-	-	-	-----	QHB2/A
	16166-Z5T-901	-	1	-	-	-	-----	QHB2/A
	(CARBURETOR NO.)	-	1	-	-	-	-----	BE88G A QBE1, QHB1, QP, QTD, SWE2, SWX, SWX2
	16166-Z1C-941	-	1	-	-	-	-----	BE88K A QBE1, QHB1, QP, QTD, SWE2, SWX, SWX2
	16166-Z5T-WC1	-	-	1	-	-	-----	QMAH
12	16172-ZE3-W10	COLLAR, SETTING.....	1	-	-	1	1	-----	LH, LH2, LHB5, LHP1, LXE8, LXE9, LXU, PX, PXE8, PXU, QA2, QA26, QAA2, QAA6, QH, QHB3, QHB5, QHP1, QMAH, QMAH/A, QMH, QN, QX, QXE, QXE8, QXEK, QXK, QXQ4, QXU, SCC, SH, SHE, SX, SXC, SXE, SXE8, SXQ4, VSP, VX, VX8, VXE, VXE8, VXK, VXK2, VXU1
		-	1	1	-	-	-----	LBD, LBP, LEAJ, LH, LH2, LHB5, LHP1, LTK1, LWD, LWP1, LXE5, LXE9, LXQ5, PKT5, PX, PXE5, PXU5, QA25, QAA5, QAPW, QAPW/A, QBD, QBE1, QBE1/A, QBHZ, QBL, QBP, QBT, QC1, QC2, QC55, QC95, QCT, QCWE, QH, QHB1, QHB1/A, QHB2/A, QHB3, QHB5, QHP1, QHT, QHT1, QHTN, QK45, QKA5, QMH, QN, QNR5, QP, QPW, QTD, QTE, QTN, QX, QX5, QXA5, QXB5, QXE, QXE5, QXEK, QXK, QXQ5, QXU5, SC15, SC5, SCC, SEM, SH, SHMV, SJG, SM11, SME5, SMEJ, SMM, STCH, SWA5, SWD4, SWE2, SWSC, SWX, SWX2, SX, SX5, SXC, SXE5, SXQ5, VSD5, VSP, VSP/A, VTE5, VWT5, VX, VXB5, VXE, VXK, VXU1
	(CARBURETOR NO.)	-	1	-	-	-	-----	BEA6E A LBH, LBHS, QBH, QBHS



E-14

CARBURETOR(1)



Z1C0E1400N

Ref. No.	Part No.	Description	Reqd. QTY					Serial No.	Parts catalogue code
			GX 390 T1	GX 390 T2	GX 390 T2X	GX 390 UT2	GX 390 UT2X		
13	16173-001-004	O-RING	1	1	1	1	1	LBD, LBH, LBHB, LBHS, LBP, LEAJ, LH, LH2, LHB5, LHP1, LP, LT, LTK1, LWD, LWP1, LXE5, LXE8, LXE9, LXQ5, LXU, PKT5, PX, PXE5, PXE8, PXU, PXU5, QA2, QA25, QA26, QAA2, QAA5, QAA6, QAPW, QAPW/A, QBD, QBE1, QBE1/A, QBH, QBHS, QBHZ, QBL, QBL5, QBP, QBS, QBS1, QBT, QC1, QC2, QC55, QC95, QCT, QCWE, QH, QHB1, QHB1/A, QHB2/A, QHB3, QHB5, QHP1, QHT, QHT1, QHTN, QK45, QKA5, QMAH, QMAH/A, QMH, QN, QNR5, QP, QPW, QT, QTD, QTE, QTN, QX, QX5, QXA5, QXB5, QXE, QXE5, QXE8, QXEK, QXK, QXQ4, QXQ5, QXU, QXU5, SC15, SC5, SCC, SCM5, SEM, SH, SHE, SHMV, S JG, SM11, SME5, SMEJ, SMM, STCH, SWA5, SWD4, SWE, SWE2, SWSC, SWX, SWX2, SX, SX5, SXC, SXE, SXE5, SXE8, SXQ4, SXQ5, VSD5, VSP, VSP/A, VTE5, VWT5, VX, VX8, VXB5, VXE, VXE8, VXX, VXX2, VXU1	
14	16211-ZF6-000	INSULATOR, CARBURETOR	1	-	-	-	-	LBH, LBHB, LBHS, LEAJ, LH, LH2, LHB5, LHP1, LP, LT, LXE8, LXE9, LXU, PX, PXE8, PXU, QA2, QA26, QAA2, QAA6, QAPW, QBE1, QBH, QBHS, QBL5, QBS, QH, QHB1, QHB3, QHB5, QHP1, QMH, QN, QP, QT, QTD, QTN, QX, QXE, QXE8, QXEK, QXK, QXQ4, QXU, SH, SHE, SWE, SWE2, SWX, SWX2, SX, SXC, SXE, SXE8, SXQ4, VSP, VTE5, VX, VX8, VXE, VXE8, VXX, VXX2, VXU1	
	16211-Z5T-000	-	1	1	1	1	LBH, LBHB, LBHS, LEAJ, LH, LH2, LHB5, LHP1, LTK1, LWD, LWP1, LXE5, LXE9, LXQ5, PKT5, PX, PXE5, PXU5, QA25, QAA5, QAPW, QAPW/A, QBE1, QBE1/A, QBH, QBHS, QBHZ, QBL5, QBS, QBS1, QC1, QC2, QC55, QC95, QCT, QCWE, QH, QHB1, QHB1/A, QHB3, QHB5, QHP1, QHT, QHT1, QHTN, QK45, QKA5, QMAH, QMAH/A, QMH, QN, QNR5, QP, QPW, QTD, QTE, QTN, QX, QX5, QXA5, QXB5, QXE, QXE5, QXEK, QXK, QXQ5, QXU5, SC15, SC5, SCC, SCM5, SEM, SH, SHMV, S JG, SM11, SME5, SMEJ, SMM, STCH, SWA5, SWD4, SWE2, SWSC, SWX, SWX2, SX, SX5, SXC, SXE5, SXQ5, VSD5, VSP, VSP/A, VTE5, VWT5, VX, VXB5, VXE, VXX, VXU1	
	16211-Z1C-950	-	1	-	-	-	LBD, LBP, QBD, QBL, QBP, QBT	

E-14

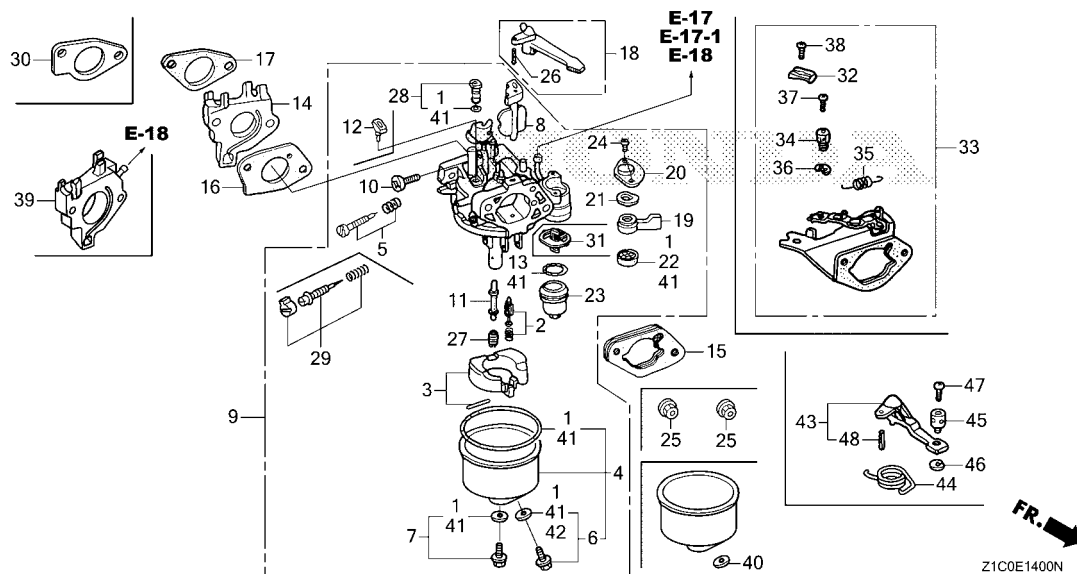
CARBURETOR(1)

Ref. No.	Part No.	Description	Reqd. QTY					Serial No.	Parts catalogue code
			GX 390 T1	GX 390 T2	GX 390 T2X	GX 390 UT2	GX 390 UT2X		
15	16220-ZA0-702	SPACER COMP., CARBURETOR.....	1	1	1	1	1	-----	LBD, LBH, LBHB, LBHS, LBP, LEAJ, LH, LH2, LHB5, LHP1, LP, LT, LWD, LXE5, LXE8, LXE9, LXQ5, LXU, PKT5, PX, PXE5, PXE8, PXU, PXU5, QA2, QA25, QA26, QAA2, QAA5, QAA6, QAPW, QAPW/A, QBD, QBE1, QBE1/A, QBH, QBHS, QBHZ, QBL, QBL5, QBP, QBS, QBS1, QBT, QC1, QC2, QC55, QC95, QCT, QCWE, QH, QHB1, QHB1/A, QHB2, QHB2/A, QHB3, QHB5, QHP1, QHT, QHT1, QHTN, QK45, QKA5, QMAH, QMAH/A, QMH, QN, QNR5, QP, QPW, QT, QTD, QTE, QTN, QX, QX5, QXA5, QXB5, QXE, QXE5, QXE8, QXEK, QXK, QXQ4, QXQ5, QXU, QXU5, SC15, SC5, SCC, SCM5, SEM, SH, SHE, SHMV, SJG, SM11, SME5, SMEJ, SMM, STCH, SWA5, SWD4, SWE, SWE2, SWSC, SWX, SWX2, SX, SX5, SXC, SXE, SXE5, SXE8, SXQ4, SXQ5, VSD5, VSP, VSP/A, VTE5, VWT5, VX, VX8, VXB5, VXE, VXE8, VXX, VXX2, VXU1
16	16221-ZF6-800	PACKING, CARBURETOR.....	1	-	-	-	-	-----	LBH, LBHB, LBHS, LH, LH2, LHB5, LHP1, LP, LT, LXE8, LXE9, LXU, PX, PXE8, PXU, QA2, QA26, QAA2, QAA6, QAPW, QBE1, QBH, QBHS, QBL5, QBS, QH, QHB1, QHB3, QHB5, QHP1, QMH, QN, QP, QT, QTD, QTN, QX, QXE, QXE8, QXEK, QXK, QXQ4, QXU, SH, SHE, SWE, SWE2, SWX, SWX2, SX, SXC, SXE, SXE8, SXQ4, VSP, VTE5, VX, VX8, VXE, VXE8, VXX, VXX2, VXU1
	16221-Z5T-000	-	1	1	1	1	-----	LBD, LBH, LBHB, LBHS, LBP, LEAJ, LH, LH2, LHB5, LHP1, LTK1, LWD, LWP1, LXE5, LXE9, LXQ5, PKT5, PX, PXE5, PXU5, QA25, QAA5, QAPW, QAPW/A, QBD, QBE1, QBE1/A, QBH, QBHS, QBHZ, QBL, QBL5, QBP, QBS, QBS1, QBT, QC1, QC2, QC55, QC95, QCT, QCWE, QH, QHB1, QHB1/A, QHB2, QHB2/A, QHB3, QHB5, QHP1, QHT, QHT1, QHTN, QK45, QKA5, QMAH, QMAH/A, QMH, QN, QNR5, QP, QPW, QTD, QTE, QTN, QX, QX5, QXA5, QXB5, QXE, QXE5, QXEK, QXK, QXQ5, QXU5, SC15, SC5, SCC, SCM5, SEM, SH, SHMV, SJG, SM11, SME5, SMEJ, SMM, STCH, SWA5, SWD4, SWE2, SWSC, SWX, SWX2, SX, SX5, SXC, SXE5, SXQ5, VSD5, VSP, VSP/A, VTE5, VWT5, VX, VX8, VXB5, VXE, VXE8, VXX, VXX2, VXU1
17	16223-ZE3-W00	PACKING, INSULATOR.....	1	-	-	-	-	-----	LBH, LBHB, LBHS, LH, LH2, LHB5, LHP1, LP, LT, LXE8, LXE9, LXU, PX, PXE8, PXU, QA2, QA26, QAA2, QAA6, QAPW, QBE1, QBH, QBHS, QBL5, QBS, QH, QHB1, QHB3, QHB5, QHP1, QMH, QN, QP, QT, QTD, QTN, QX, QXE, QXE8, QXEK, QXK, QXQ4, QXU, SH, SHE, SWE, SWE2, SWX, SWX2, SX, SXC, SXE, SXE8, SXQ4, VSP, VTE5, VX, VX8, VXE, VXE8, VXX, VXX2, VXU1
18	16610-ZE1-000	LEVER COMP., CHOKE(STD.).....	1	1	1	1	1	-----	LBD, LBH, LBHB, LBHS, LBP, LH, LH2, LHB5, LHP1, LP, LT, LWD, LXE5, LXE8, LXE9, LXQ5, LXU, PKT5, PX, PXE5, PXE8, PXU, PXU5, QA2, QA25, QA26, QAA2, QAA5, QAA6, QAPW, QAPW/A, QBD, QBE1, QBE1/A, QBH, QBHS, QBHZ, QBL, QBL5, QBP, QBS, QBS1, QBT, QC1, QC2, QC55, QC95, QCT, QCWE, QH, QHB1, QHB1/A, QHB2, QHB2/A, QHB3, QHB5, QHP1, QHT, QHT1, QHTN, QK45, QKA5, QMAH, QMAH/A, QMH, QN, QNR5, QP, QPW, QT, QTD, QTE, QTN, QX, QX5, QXA5, QXB5, QXE, QXE5, QXE8, QXEK, QXK, QXQ4, QXQ5, QXU, QXU5, SC5, SCM5, SH, SHE, SHMV, SJG, SM11, SME5, SMEJ, SMM, STCH, SWA5, SWD4, SWE, SWE2, SWSC, SWX, SWX2, SX, SX5, SXC, SXE, SXE5, SXE8, SXQ4, SXQ5, VSD5, VSP, VSP/A, VTE5, VWT5, VX, VX8, VXB5, VXE, VXE8, VXX, VXX2, VXU1
19	16953-ZE1-812	LEVER, COCK.....	1	1	1	1	1	-----	LBD, LBH, LBHB, LBHS, LBP, LEAJ, LH, LH2, LHB5, LHP1, LP, LT, LTK1, LWD, LWP1, LXE5, LXE8, LXE9, LXQ5, LXU, PKT5, PX, PXE5, PXE8, PXU, PXU5, QA2, QA25, QA26, QAA2, QAA5, QAA6, QAPW, QAPW/A, QBD, QBE1, QBE1/A, QBH, QBHS, QBHZ, QBL, QBL5, QBP, QBS, QBS1, QBT, QC1, QC2, QC55, QC95, QCT, QCWE, QH, QHB1, QHB1/A, QHB2/A, QHB3, QHB5, QHP1, QHT, QHT1, QHTN, QK45, QKA5, QMAH, QMAH/A, QMH, QN, QNR5, QP, QPW, QTD, QTE, QTN, QX, QX5, QXA5, QXB5, QXE, QXE5, QXE8, QXEK, QXK, QXQ4, QXQ5, QXU, QXU5, SC15, SC5, SCC, SCM5, SEM, SH, SHE, SHMV, SJG, SM11, SME5, SMEJ, SMM, STCH, SWA5, SWD4, SWE, SWE2, SWSC, SWX, SWX2, SX, SX5, SXC, SXE, SXE5, SXE8, SXQ4, SXQ5, VSD5, VSP, VSP/A, VTE5, VWT5, VX, VX8, VXB5, VXE, VXE8, VXX, VXX2, VXU1



E-14

CARBURETOR(1)



Z1C0E1400N

Ref. No.	Part No.	Description	Reqd. QTY					Serial No.	Parts catalogue code
			GX 390 T1	GX 390 T2	GX 390 T2X	GX 390 UT2	GX 390 UT2X		
20	16954-ZE1-812	PLATE, LEVER SETTING.....	1	1	1	1	1	-----	LBD, LBH, LBHB, LBHS, LBP, LEAJ, LH, LH2, LHB5, LHP1, LP, LT, LTK1, LWD, LWP1, LXE5, LXE8, LXE9, LXQ5, LXU, PKT5, PX, PXE5, PXE8, PXU, PXU5, QA2, QA25, QA26, QAA2, QAA5, QAA6, QAPW, QAPW/A, QBD, QBE1, QBE1/A, QBH, QBHS, QBHZ, QBL, QBL5, QBP, QBS, QBS1, QBT, QC1, QC2, QC55, QC95, QCT, QCWE, QH, QHB1, QHB1/A, QHB2/A, QHB3, QHB5, QHP1, QHT, QHT1, QHTN, QK45, QKA5, QMAH, QMAH/A, QMH, QN, QNR5, QP, QPW, QT, QTD, QTE, QTN, QX, QX5, QXA5, QXB5, QXE, QXE5, QXE8, QXEK, QXK, QXQ4, QXQ5, QXU, QXU5, SC15, SC5, SCC, SCM5, SEM, SH, SHE, SHMV, SJG, SM11, SME5, SMEJ, SMM, STCH, SWA5, SWD4, SWE, SWE2, SWSC, SWX, SWX2, SX, SX5, SXC, SXE, SXE5, SXE8, SXQ4, SXQ5, VSD5, VSP, VSP/A, VTE5, VWT5, VX, VX8, VXB5, VXE, VXE8, VXK, VXK2, VXU1
21	16956-ZE1-811	SPRING, COCK LEVER.....	1	1	1	1	1	-----	LBD, LBH, LBHB, LBHS, LBP, LEAJ, LH, LH2, LHB5, LHP1, LP, LT, LTK1, LWD, LWP1, LXE5, LXE8, LXE9, LXQ5, LXU, PKT5, PX, PXE5, PXE8, PXU, PXU5, QA2, QA25, QA26, QAA2, QAA5, QAA6, QAPW, QAPW/A, QBD, QBE1, QBE1/A, QBH, QBHS, QBHZ, QBL, QBL5, QBP, QBS, QBS1, QBT, QC1, QC2, QC55, QC95, QCT, QCWE, QH, QHB1, QHB1/A, QHB2/A, QHB3, QHB5, QHP1, QHT, QHT1, QHTN, QK45, QKA5, QMAH, QMAH/A, QMH, QN, QNR5, QP, QPW, QT, QTD, QTE, QTN, QX, QX5, QXA5, QXB5, QXE, QXE5, QXE8, QXEK, QXK, QXQ4, QXQ5, QXU, QXU5, SC15, SC5, SCC, SCM5, SEM, SH, SHE, SHMV, SJG, SM11, SME5, SMEJ, SMM, STCH, SWA5, SWD4, SWE, SWE2, SWSC, SWX, SWX2, SX, SX5, SXC, SXE, SXE5, SXE8, SXQ4, SXQ5, VSD5, VSP, VSP/A, VTE5, VWT5, VX, VX8, VXB5, VXE, VXE8, VXK, VXK2, VXU1

E-14

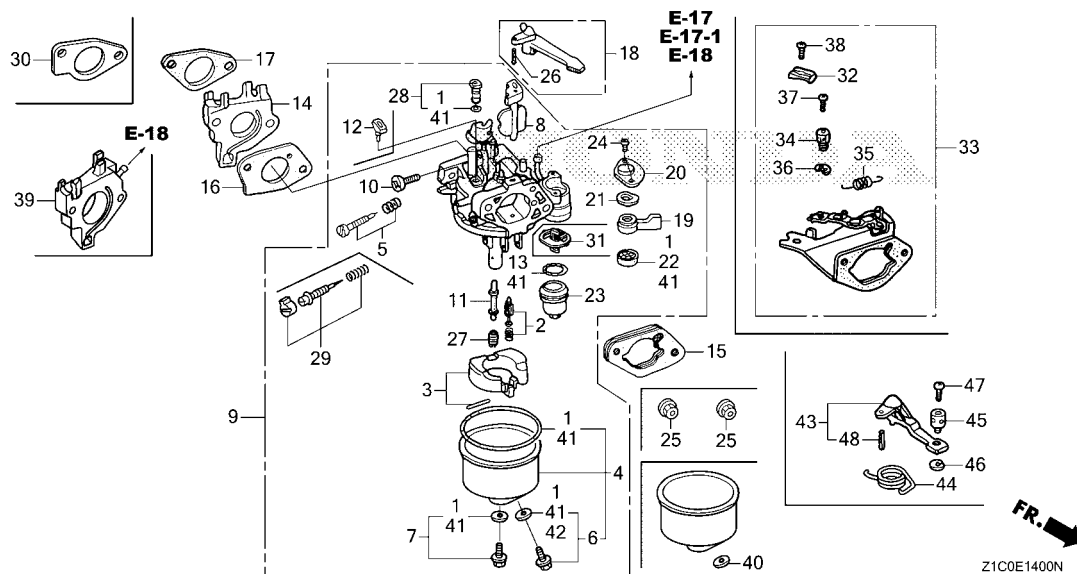
CARBURETOR(1)

Ref. No.	Part No.	Description	Reqd. QTY					Serial No.	Parts catalogue code
			GX 390 T1	GX 390 T2	GX 390 T2X	GX 390 UT2	GX 390 UT2X		
22	16957-ZE1-812	PACKING, FUEL COCK	1	1	1	1	1	LBD, LBH, LBHB, LBHS, LBP, LEAJ, LH, LH2, LHB5, LHP1, LP, LT, LTK1 LWD, LWP1, LXE5, LXE8, LXE9, LXQ5, LXU, PKT5, PX, PXE5, PXE8, PXU PXU5, QA2, QA25, QA26, QAA2, QAA5, QAA6, QAPW, QAPW/A, QBD, QBE1 QBE1/A, QBH, QBHS, QBHZ, QBL, QBL5, QBP, QBS, QBS1, QBT, QC1, QC2 QC55, QC95, QCT, QCWE, QH, QHB1, QHB1/A, QHB2/A, QHB3, QHB5, QHP1 QHT, QHT1, QHTN, QK45, QKA5, QMAH, QMAH/A, QMH, QN, QNR5, QP, QPW, QT QTD, QTE, QTN, QX, QX5, QXA5, QXB5, QXE, QXE5, QXE8, QXEK, QXK, QXQ4 QXQ5, QXU, QXU5, SC15, SC5, SCC, SCM5, SEM, SH, SHE, SHMV, SJG, SM11 SME5, SMEJ, SMM, STCH, SWA5, SWD4, SWE, SWE2, SWSC, SWX, SWX2, SX SX5, SXC, SXE, SXE5, SXE8, SXQ4, SXQ5, VSD5, VSP, VSP/A, VTE5, VWT5 VX, VX8, VXB5, VXE, VXE8, VXX, VXX2, VXU1	
23	16967-ZE0-811	CUP, FUEL STRAINER	1	1	1	1	1	LBD, LBH, LBHB, LBHS, LBP, LEAJ, LH, LH2, LHB5, LHP1, LP, LT, LTK1 LWD, LWP1, LXE5, LXE8, LXE9, LXQ5, LXU, PKT5, PX, PXE5, PXE8, PXU PXU5, QA2, QA25, QA26, QAA2, QAA5, QAA6, QAPW, QAPW/A, QBD, QBE1 QBE1/A, QBH, QBHS, QBHZ, QBL, QBL5, QBP, QBS, QBS1, QBT, QC1, QC2 QC55, QC95, QCT, QCWE, QH, QHB1, QHB1/A, QHB2/A, QHB3, QHB5, QHP1 QHT, QHT1, QHTN, QK45, QKA5, QMAH, QMAH/A, QMH, QN, QNR5, QP, QPW, QT QTD, QTE, QTN, QX, QX5, QXA5, QXB5, QXE, QXE5, QXE8, QXEK, QXK, QXQ4 QXQ5, QXU, QXU5, SC15, SC5, SCC, SCM5, SEM, SH, SHE, SHMV, SJG, SM11 SME5, SMEJ, SMM, STCH, SWA5, SWD4, SWE, SWE2, SWSC, SWX, SWX2, SX SX5, SXC, SXE, SXE5, SXE8, SXQ4, SXQ5, VSD5, VSP, VSP/A, VTE5, VWT5 VX, VX8, VXB5, VXE, VXE8, VXX, VXX2, VXU1	
24	93500-03006-1H	SCREW, PAN, 3X6	2	2	2	2	2	LBD, LBH, LBHB, LBHS, LBP, LEAJ, LH, LH2, LHB5, LHP1, LP, LT, LTK1 LWD, LWP1, LXE5, LXE8, LXE9, LXQ5, LXU, PKT5, PX, PXE5, PXE8, PXU PXU5, QA2, QA25, QA26, QAA2, QAA5, QAA6, QAPW, QAPW/A, QBD, QBE1 QBE1/A, QBH, QBHS, QBHZ, QBL, QBL5, QBP, QBS, QBS1, QBT, QC1, QC2 QC55, QC95, QCT, QCWE, QH, QHB1, QHB1/A, QHB2/A, QHB3, QHB5, QHP1 QHT, QHT1, QHTN, QK45, QKA5, QMAH, QMAH/A, QMH, QN, QNR5, QP, QPW, QT QTD, QTE, QTN, QX, QX5, QXA5, QXB5, QXE, QXE5, QXE8, QXEK, QXK, QXQ4 QXQ5, QXU, QXU5, SC15, SC5, SCC, SCM5, SEM, SH, SHE, SHMV, SJG, SM11 SME5, SMEJ, SMM, STCH, SWA5, SWD4, SWE, SWE2, SWSC, SWX, SWX2, SX SX5, SXC, SXE, SXE5, SXE8, SXQ4, SXQ5, VSD5, VSP, VSP/A, VTE5, VWT5 VX, VX8, VXB5, VXE, VXE8, VXX, VXX2, VXU1	
25	94050-06000	NUT, FLANGE, 6MM	2	-	-	-	-	LP	
26	94305-20122	PIN, SPRING, 2X12	1	1	1	1	1	LBD, LBH, LBHB, LBHS, LBP, LH, LH2, LHB5, LHP1, LP, LT, LWD, LXE5 LXE8, LXE9, LXQ5, LXU, PKT5, PX, PXE5, PXE8, PXU, PXU5, QA2, QA25 QA26, QAA2, QAA5, QAA6, QAPW, QAPW/A, QBD, QBE1, QBE1/A, QBH, QBHS QBHZ, QBL, QBL5, QBP, QBS, QBS1, QBT, QC1, QC2, QC55, QC95, QCT, QCWE QH, QHB1, QHB1/A, QHB2, QHB2/A, QHB3, QHB5, QHP1, QHT, QHT1, QHTN QK45, QKA5, QMAH, QMAH/A, QMH, QN, QNR5, QP, QPW, QT, QTD, QTE, QTN QX, QX5, QXA5, QXB5, QXE, QXE5, QXE8, QXEK, QXK, QXQ4, QXQ5, QXU QXU5, SC5, SCM5, SH, SHE, SHMV, SJG, SM11, SME5, SMEJ, SMM, STCH SWA5, SWD4, SWE, SWE2, SWSC, SWX, SWX2, SX, SX5, SXC, SXE, SXE5, SXE8 SXQ4, SXQ5, VSD5, VSP, VSP/A, VTE5, VWT5, VX, VX8, VXB5, VXE, VXE8 VXX, VXX2, VXU1	
27	99101-ZH8-1020	JET, MAIN, #102	(1)	-	-	(1)	(1)	LT, QBE1, QBL5, QBS, QHB1, QMAH, QMAH/A, QN, QP, QT, QTD, QTN, SWE SWE2, SWX, SWX2, VTE5	
	99101-ZH8-1050	JET, MAIN, #105	(1)	-	-	(1)	-	LBH, LBHB, LBHS, QBH, QBHS, QMAH/A	
			1	-	-	1	-	LT, QBE1, QBL5, QBS, QHB1, QMAH, QN, QP, QT, QTD, QTN, SWE, SWE2, SWX SWX2, VTE5	
	99101-ZH8-0980	JET, MAIN, #98	(1)	-	-	(1)	-	QAPW, QMAH	
	99101-ZH8-1100	JET, MAIN, #110	1	-	-	-	-	LBH, LBHB, LBHS, LP, QBH, QBHS	
	99101-ZH8-1080	JET, MAIN, #108	(1)	-	-	-	-	LBH, LBHB, LBHS, QBH, QBHS	
	99101-ZH8-0880	JET, MAIN, #88	(1)	-	-	-	-	LH, LH2, LHB5, LHP1, LXE8, LXE9, LXU, PX, PXE8, PXU, QA2, QA26, QAA2 QAA6, QH, QHB3, QHB5, QHP1, QMH, QX, QXE, QXE8, QXEK, QXK, QXQ4, QXU SH, SHE, SX, SXC, SXE, SXE8, SXQ4	



E-14

CARBURETOR(1)



Ref. No.	Part No.	Description	Reqd. QTY					Serial No.	Parts catalogue code
			GX 390 T1	GX 390 T2	GX 390 T2X	GX 390 UT2	GX 390 UT2X		
27)	99101-ZH8-0920	JET, MAIN, #92	1	-	-	-	-	LH, LH2, LHB5, LHP1, LXE8, LXE9, LXU, PX, PXE8, PXU, QA2, QA26, QAA2, QAA6, QH, QHB3, QHB5, QHP1, QMH, QX, QXE, QXE8, QXEK, QXK, QXQ4, QXU, SH, SHE, SX, SXC, SXE, SXE8, SXQ4	
	99101-ZH8-0900	JET, MAIN, #90	(1)	-	-	-	-	LH, LH2, LHB5, LHP1, LXE8, LXE9, LXU, PX, PXE8, PXU, QA2, QA26, QAA2, QAA6, QH, QHB3, QHB5, QHP1, QMH, QX, QXE, QXE8, QXEK, QXK, QXQ4, QXU, SH, SHE, SX, SXC, SXE, SXE8, SXQ4, VSP, VX, VX8, VXE, VXE8, VXX, VXX2, VXU1	
	99101-ZH8-1000	JET, MAIN, #100	(1)	-	-	-	-	LT, QBE1, QBLS, QBS, QHB1, QN, QP, QT, QTD, QTN, SWE, SWE2, SWX, SWX2, VTE5	
	99101-ZH8-0950	JET, MAIN, #95	(1)	-	-	-	-	QAPW	
	99101-ZH8-1000	JET, MAIN, #100	1	-	-	-	-	QAPW	
	99101-ZH8-0920	JET, MAIN, #92	(1)	-	-	-	-	VSP, VX, VX8, VXE, VXE8, VXX, VXX2, VXU1	
	99101-ZH8-0950	JET, MAIN, #95	1	-	-	-	-	VSP, VX, VX8, VXE, VXE8, VXX, VXX2, VXU1	
	99101-ZH8-1020	JET, MAIN, #102	-	(1)	(1)	-	-	LEAJ, LH, LH2, LHB5, LHP1, LWP1, LXE5, LXE9, LXQ5, PKT5, PX, PXE5, PXU5, QA25, QAA5, QAPW, QAPW/A, QH, QHB2, QHB3, QHB5, QHP1, QHT, QHT1, QHTN, QK45, QKA5, QMH, QN, QNR5, QTE, QX, QX5, QXA5, QXB5, QXE, QXE5, QXEK, QXK, QXQ5, QXU5, SH, SHMV, S.JG, SM11, SME5, SMEJ, SWA5, SWD4, SX, SX5, SXC, SXE5, SXQ5, VSD5, VSP, VSP/A, VTE5, VWT5, VX, VXB5, VXE, VXX, VXU1	
	99101-ZH8-1100	JET, MAIN, #110	-	(1)	-	(1)	(1)	LBD, LBH, LBHB, LBHS, LBP, QBD, QBE1/A, QBH, QBHS, QBHZ, QBL, QBP, QBT, QC1, QC2, QC55, QC95, QCWE, QHB1/A, QHB2/A, SC15, SC5, SCC, SCM5, SEM, SMM, STCH	
	99101-ZH8-1120	JET, MAIN, #112	-	(1)	-	(1)	(1)	LBD, LBP, QBD, QBE1/A, QBL, QBP, QBT, QC1, QC2, QC55, QC95, QCWE, QHB1/A, QHB2/A, SC15, SC5, SCC, SCM5, SEM, SMM, STCH	
	99101-ZH8-1080	JET, MAIN, #108	-	1	-	1	-	LTK1, LWD, QAPW/A, QBLS, QBS, QBS1, QCT, QHB2, QMAH/A, QPW, QTN, SWD4, SWSC, VSP/A	
	99101-ZH8-1180	JET, MAIN, #118	-	1	-	1	-	QC1, QC2, QC55, QC95, QCWE, SC15, SC5, SCC, SCM5, STCH	
	99101-ZH8-1150	JET, MAIN, #115	-	1	-	-	1	LBD, LBP, QBD, QBE1/A, QBL, QBP, QBT, QHB1/A, QHB2/A, SCC, SEM, SMM	

E-14

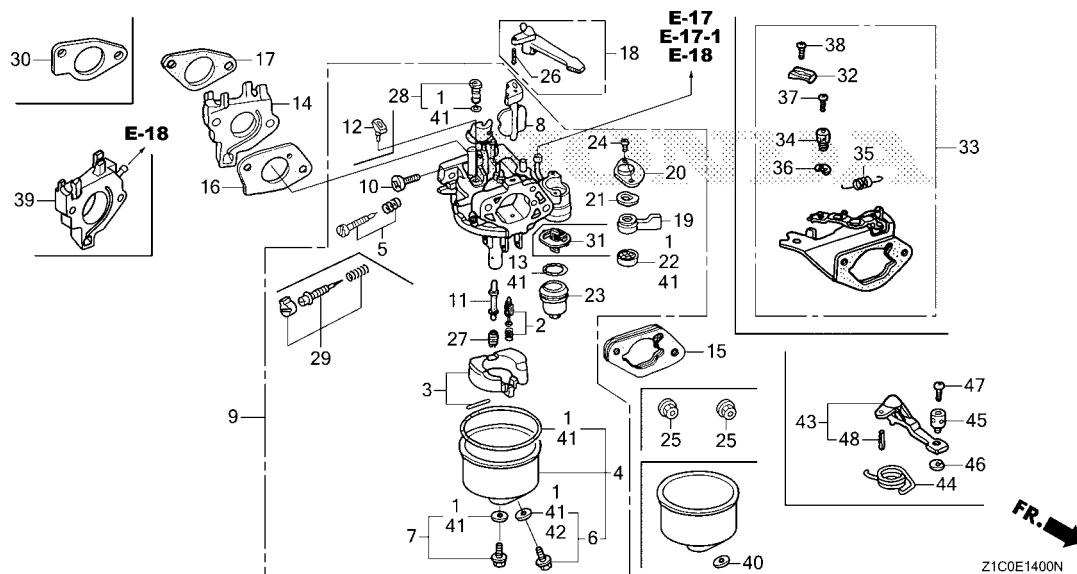
CARBURETOR(1)

Ref. No.	Part No.	Description	Reqd. QTY					Serial No.	Parts catalogue code
			GX 390 T1	GX 390 T2	GX 390 T2X	GX 390 UT2	GX 390 UT2X		
27)	99101-ZH8-1050	JET, MAIN, #105	-	(1)	-	-	-	LBH, LBHB, LBHS, LTK1, LWD, QAPW/A, QBH, QBHS, QBHZ, QBL5, QBS, QBS1 QCT, QHB2, QPW, QTN, SWD4, SWSC, VSP/A	
	99101-ZH8-1120	JET, MAIN, #112	-	1	-	-	-	LBH, LBHB, LBHS, QBH, QBHS, QBHZ	
	99101-ZH8-0980	JET, MAIN, #98	-	(1)	-	-	-	LEAJ, LH, LH2, LHB5, LHP1, LWP1, LXE5, LXE9, LXQ5, PKT5, PX, PXE5 PXU5, QA25, QAA5, QAPW, QH, QHB3, QHB5, QHP1, QHT, QHT1, QHTN, QK45 QKA5, QMH, QN, QNR5, QTE, QX, QX5, QXA5, QXB5, QXE, QXE5, QXEK, QXK QXQ5, QXU5, SH, SHMV, SJG, SM11, SME5, SMEJ, SWA5, SX, SX5, SXC, SXE5 SXQ5, VSD5, VSP, VTE5, VWT5, VX, VXB5, VXE, VXX, VXU1	
	99101-ZH8-1050	JET, MAIN, #105	-	1	-	-	-	LEAJ, LH, LH2, LHB5, LHP1, LWP1, LXE5, LXE9, LXQ5, PKT5, PX, PXE5 PXU5, QA25, QAA5, QAPW, QH, QHB3, QHB5, QHP1, QHT, QHT1, QHTN, QK45 QKA5, QMH, QN, QNR5, QTE, QX, QX5, QXA5, QXB5, QXE, QXE5, QXEK, QXK QXQ5, QXU5, SH, SHMV, SJG, SM11, SME5, SMEJ, SWA5, SX, SX5, SXC, SXE5 SXQ5, VSD5, VSP, VTE5, VWT5, VX, VXB5, VXE, VXX, VXU1	
	99101-ZH8-0880	JET, MAIN, #88	-	(1)	-	-	-	LH, LH2	
	99101-ZH8-1000	JET, MAIN, #100	-	(1)	-	-	-	LTK1, LWD, QBL5, QBS, QBS1, QCT, QPW, QTN, SWSC	
	99101-ZH8-0980	JET, MAIN, #98 (CARBURETOR NO.)	-	(1)	-	-	-	BE88G A QBE1, QHB1, QP, QTD, SWE2, SWX, SWX2	
	99101-ZH8-1020	JET, MAIN, #102 (CARBURETOR NO.)	-	(1)	-	-	-	BE88G A QBE1, QHB1, QP, QTD, SWE2, SWX, SWX2	
	99101-ZH8-1050	JET, MAIN, #105 (CARBURETOR NO.)	-	1	-	-	-	BE88G A QBE1, QHB1, QP, QTD, SWE2, SWX, SWX2	
	99101-ZH8-1000	JET, MAIN, #100 (CARBURETOR NO.)	-	(1)	-	-	BE88K A	QBE1, QHB1, QP, QTD, SWE2, SWX, SWX2	
	99101-ZH8-1050	JET, MAIN, #105 (CARBURETOR NO.)	-	(1)	-	-	BE88K A	QBE1, QHB1, QP, QTD, SWE2, SWX, SWX2	
	99101-ZH8-1080	JET, MAIN, #108 (CARBURETOR NO.)	-	1	-	-	BE88K A	QBE1, QHB1, QP, QTD, SWE2, SWX, SWX2	
	99101-ZH8-1050	JET, MAIN, #105	-	-	(1)	-	-		
	99101-ZH8-1080	JET, MAIN, #108	-	-	1	-	-		
	99101-ZH8-1050	JET, MAIN, #105	-	-	-	(1)	-	QMAH	
	99101-ZH8-1080	JET, MAIN, #108	-	-	-	1	-	QMAH	
28	99204-ZA0-0450	JET SET, PILOT, #45	1	-	-	1	-	LH, LH2, LHB5, LHP1, LXE8, LXE9, LXU, PX, PXE8, PXU, QA2, QA26, QAA2 QAA6, QH, QHB3, QHB5, QHP1, QMH, QX, QXE, QXEK, QXK, QXQ4, QXU SCC, SH, SHE, SX, SXC, SXE, SXE8, SXQ4, VSP, VX, VX8, VXE, VXE8, VXX VXX2, VXU1	
	99204-ZA0-0400	JET SET, PILOT, #40	1	-	-	-	-	LBH, LBHB, LBHS, LP, LT, QAPW, QBE1, QBH, QBHS, QBL5, QBS, QHB1, QN QP, QT, QTD, QTN, SWE, SWE2, SWX, SWX2, VTE5	
	99204-ZE2-0400	-	1	-	1	-	LBD, LBP, QAPW/A, QBD, QBE1/A, QBL, QBP, QBT, QHB1/A, QHB2/A QMAH/A, SWD4, VSP/A	
	99204-ZE0-0380	JET SET, PILOT, #38	-	1	-	1	-	LEAJ, LH, LH2, LHB5, LHP1, LWP1, LXE5, LXE9, LXQ5, PKT5, PX, PXE5 PXU5, QA25, QAA5, QAPW, QH, QHB3, QHB5, QHP1, QHT, QHT1, QHTN, QK45 QKA5, QMAH, QMH, QN, QNR5, QPW, QTE, QX, QX5, QXA5, QXB5, QXE, QXE5 QXEK, QXK, QXQ5, QXU5, SH, SHMV, SJG, SM11, SME5, SMEJ, SWA5, SX, SX5 SXC, SXE5, SXQ5, VSD5, VSP, VTE5, VWT5, VX, VXB5, VXE, VXX, VXU1	
	99204-ZE0-0450	JET SET, PILOT, #45	-	1	-	-	1	SCC, SEM, SMM	
	99204-ZA0-0400	JET SET, PILOT, #40	-	1	-	-	-	LBH, LBHB, LBHS, LTK1, QBH, QBHS, QBHZ, QBL5, QBS, QBS1, QTN, SWSC	
	99204-ZA0-0450	JET SET, PILOT, #45	-	1	-	-	-	LWD, QC1, QC2, QC55, QC95, QCT, QCWE, QHB2, SC15, SC5, SCM5, STCH	
	99204-ZE0-0380	JET SET, PILOT, #38 (CARBURETOR NO.)	-	1	-	-	-	BE88G A QBE1, QHB1, QP, QTD, SWE2, SWX, SWX2	
	99204-ZA0-0400	JET SET, PILOT, #40 (CARBURETOR NO.)	-	1	-	-	BE88K A	QBE1, QHB1, QP, QTD, SWE2, SWX, SWX2	
	99204-ZE2-0400	-	-	1	-	-	QMAH	
29	16016-ZH7-W01	SCREW SET, PILOT	1	1	-	1	-	LEAJ, LWD, LWP1, LXE5, LXQ5, PKT5, PXE5, PXU5, QA2, QA25, QA26, QAA2 QAA5, QAA6, QAPW, QC1, QC2, QC55, QC95, QCT, QCWE, QHB2/A, QK45 QKA5, QMAH, QNR5, QPW, QX5, QXA5, QXB5, QXE5, QXQ4, QXQ5, QXU5, SC15 SC5, SCC, SCM5, SEM, SHMV, SJG, SM11, SME5, SMEJ, SMM, STCH, SWA5 SX5, SXE5, SXQ4, SXQ5, VSD5, VSP, VWT5, VXB5	



E-14

CARBURETOR(1)



Ref. No.	Part No.	Description	Reqd. QTY					Serial No.	Parts catalogue code
			GX 390 T1	GX 390 T2	GX 390 T2X	GX 390 UT2	GX 390 UT2X		
29)	16016-ZDF-V01	SCREW SET	-	1	-	1	-	QAPW/A, QBE1/A, QHB1/A, QMAH/A, SWD4, VSP/A	
	16016-ZH7-W01	SCREW SET, PILOT	-	1	-	-	1338489	SX	
	16016-ZDF-V01	SCREW SET	-	-	1	-	-	QMAH	
	16016-ZH7-W01	SCREW SET, PILOT	-	-	-	1	-	SCC	
30	16212-Z5T-000	PACKING, CARBURETOR INSULATOR	-	1	1	1	1	LBH, LBHB, LBHS, LEAJ, LH, LH2, LHB5, LHP1, LTK1, LWD, LWP1, LXE5, LXE9, LXQ5, PKT5, PX, PXE5, PXU5, QA25, QAA5, QAPW, QAPW/A, QBE1, QBE1/A, QBH, QBHS, QBHZ, QBL5, QBS, QBS1, QC1, QC2, QC55, QC95, QCT, QCWE, QH, QHB1, QHB1/A, QHB2, QHB2/A, QHB3, QHB5, QHP1, QHT, QHT1, QHTN, QK45, QKA5, QMAH, QMAH/A, QMH, QN, QNR5, QP, QPW, QTD, QTE, QTN, QX, QX5, QXA5, QXB5, QXE, QXE5, QXEK, QXK, QXQ5, QXU5, SC15, SC5, SCC, SCM5, SEM, SH, SHMV, SJG, SM11, SME5, SMEJ, SMM, STCH, SWA5, SWD4, SWE2, SWSC, SWX, SWX2, SX, SX5, SXC, SXE5, SXQ5, VSD5, VSP, VSP/A, VTE5, VWT5, VX, VXB5, VXE, VXK, VXU1	
	16212-Z1C-950	PACKING, INSULATOR	-	1	-	-	-	LBD, LBP, QBD, QBL, QBP, QBT	
31	16959-Z5T-901	FILTER, CUP	-	1	1	1	1	LBD, LBH, LBHB, LBHS, LBP, LEAJ, LH, LH2, LHB5, LHP1, LTK1, LWD, LWP1, LXE5, LXE9, LXQ5, PKT5, PX, PXE5, PXU5, QA25, QAA5, QAPW, QAPW/A, QBD, QBE1, QBE1/A, QBH, QBHS, QBHZ, QBL, QBL5, QBP, QBS, QBS1, QBT, QC1, QC2, QC55, QC95, QCT, QCWE, QH, QHB1, QHB1/A, QHB2/A, QHB3, QHB5, QHP1, QHT, QHT1, QHTN, QK45, QKA5, QMAH, QMAH/A, QMH, QN, QNR5, QP, QPW, QTD, QTE, QTN, QX, QX5, QXA5, QXB5, QXE, QXE5, QXEK, QXK, QXQ5, QXU5, SC15, SC5, SCC, SCM5, SEM, SH, SHMV, SJG, SM11, SME5, SMEJ, SMM, STCH, SWA5, SWD4, SWE2, SWSC, SWX, SWX2, SX, SX5, SXC, SXE5, SXQ5, VSD5, VSP, VSP/A, VTE5, VWT5, VX, VXB5, VXE, VXK, VXU1	
	16576-891-000	HOLDER, CABLE	-	1	-	-	-	LTK1, LWP1	
	16590-ZE2-812	STAY ASSY., CHOKE CONTROL (REMOTE)	-	1	-	-	-	LTK1, LWP1	
	16594-883-010	HOLDER, WIRE	-	1	-	-	-	LTK1, LWP1	

E-14

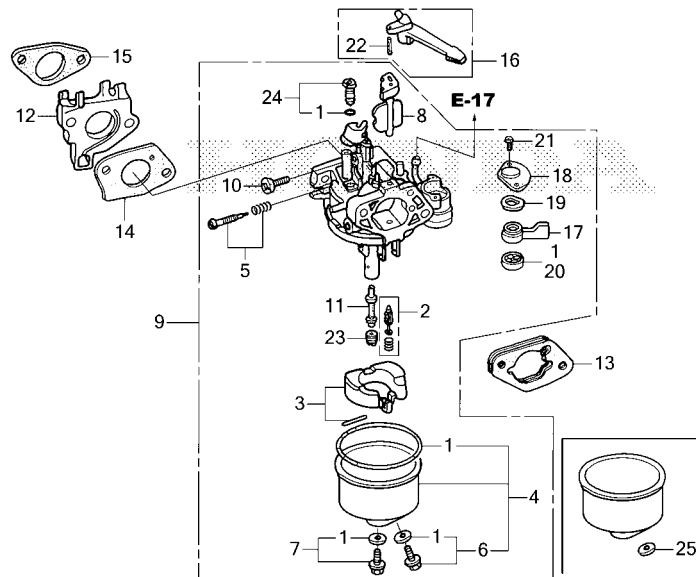
CARBURETOR(1)

Ref. No.	Part No.	Description	Reqd. QTY					Serial No.	Parts catalogue code
			GX 390 T1	GX 390 T2	GX 390 T2X	GX 390 UT2	GX 390 UT2X		
35	16615-ZE2-810	SPRING, RETURN	-	1	-	-	-	-----	LTK1,LWP1
36	90605-230-000	CIRCLIP, 5MM	-	1	-	-	-	-----	LTK1,LWP1
37	93500-04006-0H	SCREW, PAN, 4X6	-	1	-	-	-	-----	LTK1,LWP1
38	93893-05016-00	SCREW-WASHER, 5X16	-	1	-	-	-	-----	LTK1,LWP1
39	16211-Z1C-R60	INSULATOR COMP., CARBURETOR ..	-	1	-	-	-	-----	QHB2,QHB2/A
40	16141-Z0S-003	WASHER, PLAIN(6.2X10.7 DRAIN)	(1)	-	-	(1)	(1)	-----	LBH, LBHB, LBHS, LH, LH2, LHB5, LHP1, LP, LT, LXE9, PX, QBE1, QBH QBHS, QBLS, QBS, QH, QHB1, QHB3, QHB5, QHP1, QMAH, QMAH/A, QMH, QN QP, QT, QTD, QTN, QX, QXE, QXEK, QXK, SH, SHE, SWE, SWE2, SWX, SWX2, SX SXC, SXE, VSP, VTE5, VX, VXE, VXX, VXX2, VXU1
			-	(1)	(1)	-	-	-----	LBH, LBHB, LBHS, LEAJ, LH, LH2, LHB5, LHP1, LTK1, LWD, LWP1, LXE5 LXE9, LXQ5, PKT5, PX, PXE5, PXU5, QA25, QAA5, QAPW, QAPW/A, QBE1 QBE1/A, QBH, QBHS, QBLS, QBS, QBS1, QC55, QC95, QCT, QH, QHB1 QHB1/A, QHB3, QHB5, QHP1, QHT, QHT1, QHTN, QK45, QKA5, QMH, QN, QNR5 QP, QTD, QTE, QTN, QX, QX5, QXA5, QXB5, QXE, QXE5, QXEK, QXK, QXQ5 QXU5, SC15, SC5, SCM5, SEM, SH, SHMV, SJG, SM11, SME5, SMEJ, SMM STCH, SWA5, SWD4, SWE2, SWSC, SWX, SWX2, SX, SX5, SXC, SXE5, SXQ5 VSD5, VSP, VSP/A, VTE5, VWT5, VX, VXB5, VXE, VXX, VXU1
41	16010-ZE2-812	GASKET SET	1	-	1	1	1	-----	LH, LH2, LHB5, LHP1, LP, LXE8, LXE9, LXU, PX, PXE8, PXU, QA2, QA26 QAA2, QAA6, QAPW, QH, QHB3, QHB5, QHP1, QMAH, QMAH/A, QMH, QX, QXE QXE8, QXEK, QXK, QXQ4, QXU, SCC, SH, SHE, SX, SXC, SXE, SXE8, SXQ4 VSP, VX, VX8, VXE, VXE8, VXX, VXX2, VXU1
			-	1	-	-	-	-----	LEAJ, LH, LH2, LHB5, LHP1, LTK1, LWD, LWP1, LXE5, LXE9, LXQ5, PKT5 PX, PXE5, PXU5, QA25, QAA5, QAPW, QAPW/A, QBE1, QBE1/A, QC1, QC2 QC55, QC95, QCT, QCWE, QH, QHB1, QHB1/A, QHB2/A, QHB3, QHB5, QHP1 QHT, QHT1, QHTN, QK45, QKA5, QMH, QN, QNR5, QP, QPW, QTD, QTE, QTN, QX QX5, QXA5, QXB5, QXE, QXE5, QXEK, QXK, QXQ5, QXU5, SC15, SC5, SCM5 SEM, SH, SHMV, SJG, SM11, SME5, SMEJ, SMM, STCH, SWA5, SWD4, SWE2 SWSC, SWX, SWX2, SX, SX5, SXC, SXE5, SXQ5, VSD5, VSP, VSP/A, VTE5 VWT5, VX, VXB5, VXE, VXX, VXU1
42	16141-Z0S-003	WASHER, PLAIN(6.2X10.7 DRAIN)	-	1	-	1	-	-----	LBD, LBP, QAPW/A, QBD, QBE1/A, QBHZ, QBL, QBP, QBT, QC1, QC2, QC55 QC95, QCWE, QHB1/A, QHB2/A, QMAH/A, QPW, SC15, SC5, SCC, SCM5, SEM SMM, STCH, SWD4, VSP/A
		(CARBURETOR NO.)	-	1	-	-	-	-----	LBH, LBHS, QBH, QBHS
			-	-	1	-	-	-----	QMAH, SCC
43	16610-ZE1-810	LEVER COMP., CHOKE(REMOTE) ...	-	1	-	1	1	-----	LEAJ, SC15, SCC, SEM
44	16615-ZE1-010	SPRING, RETURN	-	1	-	-	-	-----	LEAJ
45	16617-890-010	HOLDER, CABLE	-	1	-	1	1	-----	LEAJ, SC15, SCC, SEM
46	90605-230-000	CIRCLIP, 5MM	-	1	-	1	1	-----	LEAJ, SC15, SCC, SEM
47	93500-04008-0A	SCREW, PAN, 4X8	-	1	-	1	1	-----	LEAJ, SC15, SCC, SEM
48	94305-20122	PIN, SPRING, 2X12	-	1	-	1	1	-----	LEAJ, SC15, SCC, SEM



E-14-1

CARBURETOR(2)



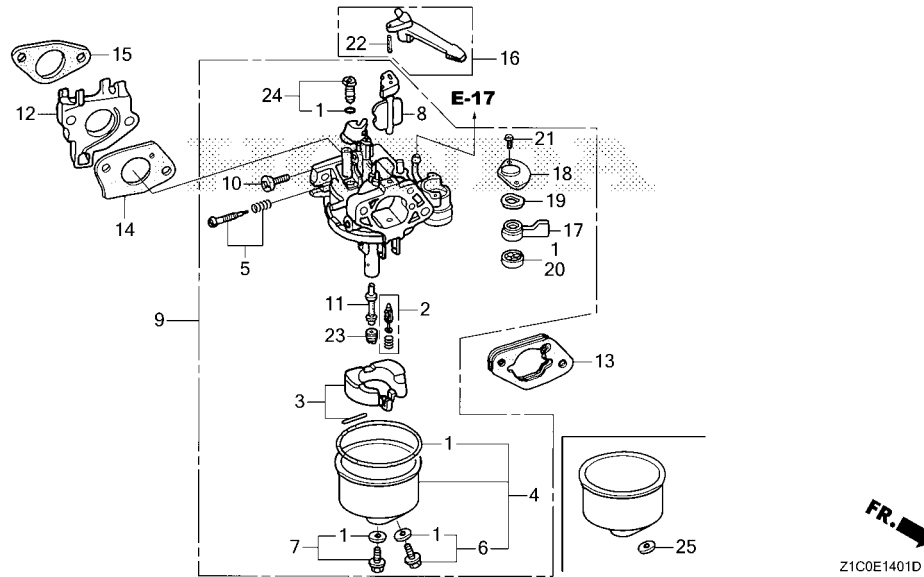
Z1C0E1401D

Ref. No.	L.O.N.	(Relative ref. Number) Description	F.R.T.
1	3111B1	GASKET SET, CARBURETOR	0.3
2	3111E1	FLOAT VALVE SET AND/OR FLOAT SET	0.3
5	3111D7	SCREW SET, PILOT	0.2
8	8101DU	CHOKE SET, CARBURETOR(A)	0.2
9	3111F3	CARBURETOR	0.2
12	3111C0	CARBURETOR INSULATOR AND/OR PACKING	0.2
14	3111C8	PACKING, CARBURETOR	0.2
16	8101F9	LEVER, CARBURETOR CHOKE	0.2
20	3101C5	PACKING, FUEL COCK	0.2
23	3111C3	JET, MAIN	0.3

Ref. No.	Part No.	Description	Reqd. QTY					Serial No.	Parts catalogue code
			GX 390 T1	GX 390 T2	GX 390 T2X	GX 390 UT2	GX 390 UT2X		
1	16010-ZE2-015	GASKET SET	1	-	-	-	-	SN	
2	16011-ZA0-931	VALVE SET, FLOAT	1	-	-	-	-	SN	
3	16013-Z1C-003	FLOAT SET	1	-	-	-	-	SN	
4	16015-ZE8-005	CHAMBER SET, FLOAT	1	-	-	-	-	SN	
5	16016-ZE0-005	SCREW SET, PILOT	1	-	-	-	-	SN	
6	16024-ZE1-811	SCREW SET, DRAIN	1	-	-	-	-	SN	
7	16028-ZE0-005	SCREW SET	1	-	-	-	-	SN	
8	16044-ZE3-W20	CHOKE SET	1	-	-	-	-	SN	
9	16100-Z1C-W21	CARBURETOR ASSY.(BE86N A)	1	-	-	-	-	SN	
10	16124-ZE0-005	SCREW, THROTTLE STOP	1	-	-	-	-	SN	
11	16166-ZF6-W20	NOZZLE, MAIN	1	-	-	-	-	SN	
12	16211-ZF6-000	INSULATOR, CARBURETOR	1	-	-	-	-	SN	
13	16220-ZA0-702	SPACER COMP., CARBURETOR	1	-	-	-	-	SN	
14	16221-ZF6-800	PACKING, CARBURETOR	1	-	-	-	-	SN	
15	16223-ZE3-W00	PACKING, INSULATOR	1	-	-	-	-	SN	
16	16610-ZE1-000	LEVER COMP., CHOKE(STD.)	1	-	-	-	-	SN	
17	16953-ZE1-812	LEVER, COCK	1	-	-	-	-	SN	
18	16954-ZE1-812	PLATE, LEVER SETTING	1	-	-	-	-	SN	
19	16956-ZE1-811	SPRING, COCK LEVER	1	-	-	-	-	SN	
20	16957-ZE1-812	PACKING, FUEL COCK	1	-	-	-	-	SN	
21	93500-03006-1H	SCREW, PAN, 3X6	2	-	-	-	-	SN	
22	94305-20122	PIN, SPRING, 2X12	1	-	-	-	-	SN	
23	99101-ZH8-1000	JET, MAIN, #100	(1)	-	-	-	-	SN	
	99101-ZH8-1020	JET, MAIN, #102	(1)	-	-	-	-	SN	
	99101-ZH8-1050	JET, MAIN, #105	1	-	-	-	-	SN	

E-14-1

CARBURETOR(2)

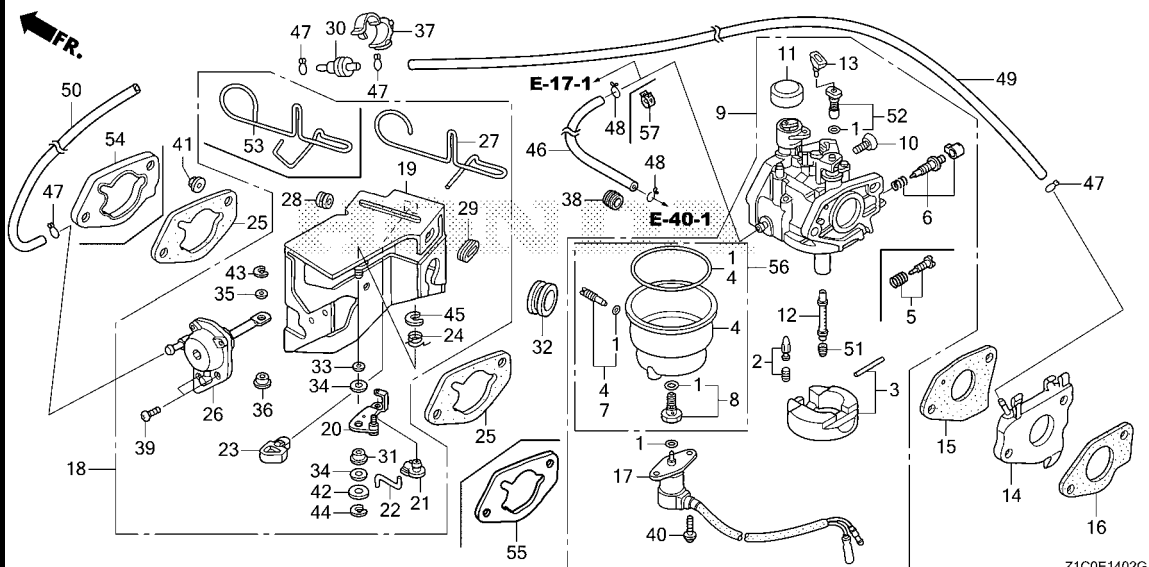


Ref. No.	Part No.	Description	Reqd. QTY					Serial No.	Parts catalogue code
			GX 390 T1	GX 390 T2	GX 390 T2X	GX 390 UT2	GX 390 UT2X		
24	99204-ZA0-0400	JET SET, PILOT, #40.....	1	-	-	-	-	----- SN	
25	16141-Z0S-003	WASHER, PLAIN(6.2X10.7 DRAIN)	(1)	-	-	-	-	----- SN	



E-14-2

CARBURETOR(3)



Ref. No.	L.O.N.	(Relative ref. Number) Description	F.R.T.
1	3111G1	GASKET SET, CARBURETOR(A) (3)	0.4
2	3111G6	FLOAT VALVE SET AND/OR FLOAT SET(A)	0.4
4	3111A3	FLOAT CHAMBER SET AND/OR GASKET	0.4
6	3111D7	SCREW SET, PILOT	0.2
9	3111G7	CARBURETOR(A)	0.3
14	3111G2	CARBURETOR INSULATOR AND/OR PACKING(A)	0.3
15	3111G5	PACKING, CARBURETOR(A)	0.3
17	6211C0	VALVE, CARBURETOR SOLENOID ...	0.2
18	8101R1	STAY, MANUAL CHOKE	0.3
25	3121D9	PACKING, AIR CLEANER	0.2
	3121D9A	.Replace carburetor side add ..	0.1
26	3111A7	DIAPHRAGM, CARBURETOR	0.3
27	8101Q2	ROD, CHOKE CONTROL	0.2
30	311175	VALVE, DASHPOT CHECK	0.1
51	3111G4	JET, MAIN(A)	0.4

Ref. No.	Part No.	Description	Reqd. QTY					Serial No.	Parts catalogue code
			GX 390 T1	GX 390 T2	GX 390 T2X	GX 390 UT2	GX 390 UT2X		
1	16010-ZE3-701	GASKET SET	1	1	-	1	1	-----	EDS1, EDS5, EDT1, EDT5, ES2, ES3, ES5, EWS1, EWS3, EWS4, EWS5, LFU, VEP5, VMQ3, VMT, VMT2, VMT3, VS15, VS3, VS4, VS5, VS6, VSB3, VSB4, VSB5, VWC5, VWE5
	16010-ZA0-921	-	1	-	-	-	-----	VPX5
2	16011-ZA0-931	VALVE SET, FLOAT	1	1	-	1	1	-----	EDS1, EDS5, EDT1, EDT5, ES2, ES3, ES5, EWS1, EWS3, EWS4, EWS5, LFU, VEP5, VMQ3, VMT, VMT2, VMT3, VPX5, VS15, VS3, VS4, VS5, VS6, VSB3, VSB4, VSB5, VWC5, VWE5
3	16013-Z1C-003	FLOAT SET	1	1	-	1	1	-----	EDS1, EDS5, EDT1, EDT5, ES2, ES3, ES5, EWS1, EWS3, EWS4, EWS5, LFU, VEP5, VMQ3, VMT, VMT2, VMT3, VPX5, VS15, VS3, VS4, VS5, VS6, VSB3, VSB4, VSB5, VWC5, VWE5
4	16015-ZA0-931	CHAMBER SET, FLOAT	1	1	-	1	1	-----	EDS1, EDS5, EDT1, EDT5, ES2, ES3, ES5, EWS1, EWS3, EWS4, EWS5, LFU, VEP5, VMQ3, VMT, VMT2, VMT3, VS15, VS3, VS4, VS5, VS6, VSB3, VSB4, VSB5, VWC5, VWE5
5	16016-ZF6-D40	SCREW SET	1	1	-	-	-	-----	VMQ3, VMT, VMT2, VMT3, VSB3, VSB4, VSB5
6	16016-ZH8-W01	SCREW SET	1	1	-	-	-	-----	EDS1, EDS5, EDT1, EDT5, ES2, ES3, ES5, EWS1, EWS3, EWS4, EWS5, VEP5, VS15, VS3, VS4, VS5, VS6, VWC5, VWE5
	16016-ZH7-W01	SCREW SET, PILOT	-	1	-	-	-	-----	VPX5
	16016-Z1E-V21	SCREW SET	-	-	-	1	1	-----	LFU
7	16024-124-761	SCREW SET, DRAIN	1	-	-	-	-	-----	ES2, ES3, VMQ3, VMT2, VMT3, VS4, VS6, VSB4, VSB5
	16024-124-760	-	1	-	1	1	-----	EDS1, EDS5, EDT1, EDT5, ES2, ES5, EWS1, EWS3, EWS4, EWS5, LFU, VEP5, VMQ3, VMT, VMT2, VMT3, VPX5, VS15, VS3, VS4, VS5, VS6, VSB3, VSB4, VWC5, VWE5
8	16028-ZA0-931	SCREW SET	1	-	-	-	-	-----	ES2, ES3, VMQ3, VMT2, VMT3, VS4, VS6, VSB4, VSB5
	16028-Z7E-E61	-	1	-	1	1	-----	EDS5, EDT5, LFU, VEP5, VS15, VWC5, VWE5
	16028-ZA0-931	-	1	-	-	-	-----	EDS1, EDT1, ES2, VMT, VMT2, VSB3
	(CARBURETOR NO.)	-	1	-	-	-	-----	BE89W A ES5, EWS1, EWS3, EWS4, EWS5, VS3, VS4, VS5, VS6
	„	-	1	-	-	-	-----	BE89Y A VMQ3, VMT3, VSB4

E-14-2

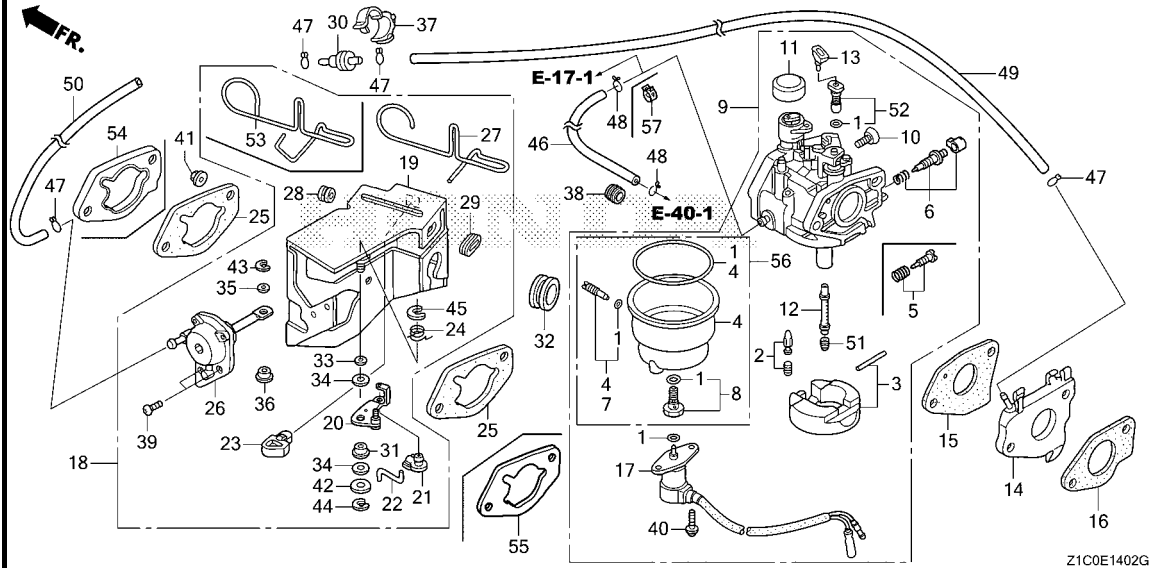
CARBURETOR(3)

Ref. No.	Part No.	Description	Reqd. QTY					Serial No.	Parts catalogue code
			GX 390 T1	GX 390 T2	GX 390 T2X	GX 390 UT2	GX 390 UT2X		
(8)	16028-Z7E-E61	SCREW SET (CARBURETOR NO.)	-	1	-	-	-	BE89W B ----- ES5, EWS1, EWS3, EWS4, EWS5, VS3, VS4, VS5, VS6 BE89Y B ----- VMQ3, VMT3, VSB4	
9	16100-Z1C-741	CARBURETOR ASSY.(BE87K A)	1	-	-	-	-	----- ES2, ES3, VS4, VS6	
	16100-Z1C-D41	CARBURETOR ASSY.(BE87L A)	1	-	-	-	-	----- VMQ3, VMT2, VMT3, VSB4, VSB5	
	16100-Z1C-922	CARBURETOR ASSY.(BE89W A)	-	1	-	-	-	----- EDS1, EDT1, ES2	
	16100-ZBH-744	CARBURETOR ASSY.(BE84B C)	-	1	-	-	-	----- EDS5, EDT5, VEP5, VWC5, VWE5	
	16100-Z1C-D52	CARBURETOR ASSY.(BE89Y A)	-	1	-	-	-	----- VMT, VMT2, VSB3	
	16100-Z5T-U86	CARBURETOR ASSY.(BE84D D)	-	1	-	-	-	----- VPX5	
	16100-Z5T-U44	CARBURETOR ASSY.(BE84C C)	-	1	-	-	-	----- VS15	
	16100-Z1C-922	CARBURETOR ASSY.(BE89W A)	-	1	-	-	1844336	----- ES5, EWS1, EWS3, EWS4, EWS5, VS3, VS4, VS5, VS6	
	16100-Z1C-D52	CARBURETOR ASSY.(BE89Y A)	-	1	-	-	1859998	----- VMQ3, VMT3, VSB4	
	16100-Z1C-923	CARBURETOR ASSY.(BE89W B)	-	1	-	-	1844337	----- ES5, EWS1, EWS3, EWS4, EWS5, VS3, VS4, VS5, VS6	
	16100-Z1C-D53	CARBURETOR ASSY.(BE89Y B)	-	1	-	-	1859999	----- VMQ3, VMT3, VSB4	
	16100-ZBH-WA1	CARBURETOR ASSY.(BEC1C A)	-	-	-	1	1	----- LFU	
10	16124-ZE0-005	SCREW, THROTTLE STOP.....	1	1	-	1	1	----- EDS1, EDS5, EDT1, EDT5, ES2, ES3, ES5, EWS1, EWS3, EWS4, EWS5, LFU VEP5, VMQ3, VMT, VMT2, VMT3, VPX5, VS15, VS3, VS4, VS5, VS6, VSB3 VSB4, VSB5, VWC5, VWE5	
11	16148-141-881	CAP, CHOKE DUST.....	1	1	-	1	1	----- EDS1, EDS5, EDT1, EDT5, ES2, ES3, ES5, EWS1, EWS3, EWS4, EWS5, LFU VEP5, VMQ3, VMT, VMT2, VMT3, VPX5, VS15, VS3, VS4, VS5, VS6, VSB3 VSB4, VSB5, VWC5, VWE5	
12	16166-ZF6-005	NOZZLE, MAIN.....	1	-	-	-	-	----- ES2, ES3, VMQ3, VMT2, VMT3, VS4, VS6, VSB4, VSB5	
	16166-Z5T-U41	-	1	-	-	-	----- EDS1, EDS5, EDT1, EDT5, ES2, ES5, EWS1, EWS3, EWS4, EWS5, VEP5, VMQ3 VMT, VMT2, VMT3, VPX5, VS15, VS3, VS4, VS5, VS6, VSB3, VSB4, VWC5 VWE5	
	16166-Z5T-WE1	-	-	-	1	1	----- LFU	
13	16172-ZE3-W10	COLLAR, SETTING.....	1	1	-	1	1	----- EDS1, EDS5, EDT1, EDT5, ES2, ES3, ES5, EWS1, EWS3, EWS4, EWS5, LFU VEP5, VMQ3, VMT, VMT2, VMT3, VPX5, VS15, VS3, VS4, VS5, VS6, VSB3 VSB4, VSB5, VWC5, VWE5	
14	16211-ZF6-D40	INSULATOR, CARBURETOR.....	1	1	-	-	-	----- ES2, ES3, VMQ3, VMT, VMT2, VMT3, VS4, VS6, VSB3, VSB4, VSB5	
	16211-ZBH-700	-	1	-	1	1	----- EDS1, EDS5, EDT1, EDT5, ES2, ES5, EWS1, EWS3, EWS4, EWS5, LFU, VEP5 VMQ3, VMT, VMT2, VMT3, VPX5, VS15, VS3, VS4, VS5, VS6, VSB3, VSB4 VWC5, VWE5	
15	16221-ZF6-800	PACKING, CARBURETOR.....	1	-	-	-	-	----- ES2, ES3, VMQ3, VMT2, VMT3, VS4, VS6, VSB4, VSB5	
	16221-Z5T-000	-	1	-	1	1	----- EDS1, EDS5, EDT1, EDT5, ES2, ES5, EWS1, EWS3, EWS4, EWS5, LFU, VEP5 VMQ3, VMT, VMT2, VMT3, VPX5, VS15, VS3, VS4, VS5, VS6, VSB3, VSB4 VWC5, VWE5	
16	16223-ZE3-W00	PACKING, INSULATOR.....	1	-	-	-	-	----- ES2, ES3, VMQ3, VMT2, VMT3, VS4, VS6, VSB4, VSB5	
	16212-Z5T-000	PACKING, CARBURETOR INSULATOR	-	1	-	1	1	----- EDS1, EDS5, EDT1, EDT5, ES2, ES5, EWS1, EWS3, EWS4, EWS5, LFU, VEP5 VMQ3, VMT, VMT2, VMT3, VPX5, VS15, VS3, VS4, VS5, VS6, VSB3, VSB4 VWC5, VWE5	
17	16230-ZE3-702	VALVE ASSY., SOLENOID.....	1	1	-	1	1	----- EDS1, EDS5, EDT1, EDT5, ES2, ES3, ES5, EWS1, EWS3, EWS4, EWS5, LFU VEP5, VMQ3, VMT, VMT2, VMT3, VS15, VS3, VS4, VS5, VS6, VSB3, VSB4 VSB5, VWC5, VWE5	
		(CARBURETOR NO.)	-	1	-	-	-	BE89Y B ----- VMQ3, VMT3, VSB4	
18	16260-ZE2-723	STAY ASSY., MANUAL CHOKE.....	1	-	-	-	-	----- ES2, ES3, VMQ3, VMT2, VMT3, VS4, VS6, VSB4, VSB5	
	16260-ZE3-D22	-	1	-	1	1	----- EDS1, EDS5, EDT1, EDT5, ES2, EWS1, EWS3, EWS4, EWS5, LFU, VEP5, VMQ3 VMT, VMT2, VMT3, VPX5, VS15, VS3, VS4, VS5, VS6, VSB3, VSB4, VWC5 VWE5	
	16260-ZE2-723	-	1	-	-	-	1470042 ----- ES5	
	16260-ZE2-723	-	1	-	-	-	1470043 ----- ES5	
19	16261-ZE2-702	STAY COMP., SOLENOID.....	1	1	-	1	1	----- EDS1, EDS5, EDT1, EDT5, ES2, ES3, ES5, EWS1, EWS3, EWS4, EWS5, LFU VEP5, VMQ3, VMT, VMT2, VMT3, VPX5, VS15, VS3, VS4, VS5, VS6, VSB3 VSB4, VSB5, VWC5, VWE5	



E-14-2

CARBURETOR(3)



Z1C0E1402G

Ref. No.	Part No.	Description	Reqd. QTY					Serial No.	Parts catalogue code
			GX 390 T1	GX 390 T2	GX 390 T2X	GX 390 UT2	GX 390 UT2X		
20	16262-ZE2-711	LEVER, CHOKE	1	1	-	1	1	-----	EDS1, EDS5, EDT1, EDT5, ES2, ES3, ES5, EWS1, EWS3, EWS4, EWS5, LFU VEP5, VMQ3, VMT, VMT2, VMT3, VPX5, VS15, VS3, VS4, VS5, VS6, VSB3 VSB4, VSB5, VWC5, VWE5
21	16263-ZA0-000	JOINT, ROD	1	1	-	1	1	-----	EDS1, EDS5, EDT1, EDT5, ES2, ES3, ES5, EWS1, EWS3, EWS4, EWS5, LFU VEP5, VMQ3, VMT, VMT2, VMT3, VPX5, VS15, VS3, VS4, VS5, VS6, VSB3 VSB4, VSB5, VWC5, VWE5
22	16264-ZE2-701	ROD, CHOKE	1	1	-	1	1	-----	EDS1, EDS5, EDT1, EDT5, ES2, ES3, ES5, EWS1, EWS3, EWS4, EWS5, LFU VEP5, VMQ3, VMT, VMT2, VMT3, VPX5, VS15, VS3, VS4, VS5, VS6, VSB3 VSB4, VSB5, VWC5, VWE5
23	16265-ZE2-721	STOPPER, CHOKE ROD	1	1	-	1	1	-----	EDS1, EDS5, EDT1, EDT5, ES2, ES3, ES5, EWS1, EWS3, EWS4, EWS5, LFU VEP5, VMQ3, VMT, VMT2, VMT3, VPX5, VS15, VS3, VS4, VS5, VS6, VSB3 VSB4, VSB5, VWC5, VWE5
24	16268-ZE2-721	SPRING, MANUAL CHOKE	1	1	-	1	1	-----	EDS1, EDS5, EDT1, EDT5, ES2, ES3, ES5, EWS1, EWS3, EWS4, EWS5, LFU VEP5, VMQ3, VMT, VMT2, VMT3, VPX5, VS15, VS3, VS4, VS5, VS6, VSB3 VSB4, VSB5, VWC5, VWE5
25	17228-Z5T-000 16269-ZA0-800	PACKING, AIR CLEANER	2	-	-	-	-	-----	ES2 ES3, VMQ3, VMT2, VMT3, VS4, VS6, VSB4, VSB5
26	16400-ZE2-704	DIAPHRAGM ASSY.	1	1	-	1	1	-----	EDS1, EDS5, EDT1, EDT5, ES2, ES3, ES5, EWS1, EWS3, EWS4, EWS5, LFU VEP5, VMQ3, VMT, VMT2, VMT3, VPX5, VS15, VS3, VS4, VS5, VS6, VSB3 VSB4, VSB5, VWC5, VWE5
27	16611-ZE2-711	ROD, CHOKE CONTROL	1	-	-	-	-	-----	ES2, ES3, VMQ3, VMT2, VMT3, VS4, VS6, VSB4, VSB5
28	16613-893-000	GROMMET, CHOKE ROD	1	1	-	1	1	-----	ES5 EDS1, EDS5, EDT1, EDT5, ES2, ES3, ES5, EWS1, EWS3, EWS4, EWS5, LFU VEP5, VMQ3, VMT, VMT2, VMT3, VPX5, VS15, VS3, VS4, VS5, VS6, VSB3 VSB4, VSB5, VWC5, VWE5

E-14-2

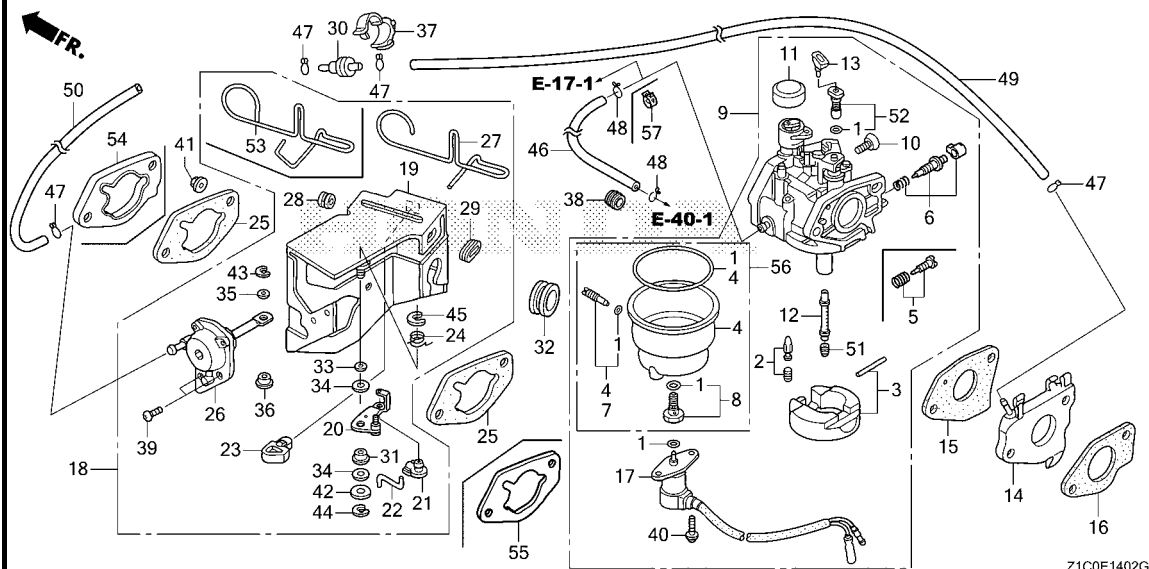
CARBURETOR(3)

Ref. No.	Part No.	Description	Reqd. QTY					Serial No.	Parts catalogue code
			GX 390 T1	GX 390 T2	GX 390 T2X	GX 390 UT2	GX 390 UT2X		
29	16615-893-000	GUIDE, CHOKE ROD.....	1	1	-	1	1	-----	EDS1, EDS5, EDT1, EDT5, ES2, ES3, ES5, EWS1, EWS3, EWS4, EWS5, LFU VEP5, VMQ3, VMT, VMT2, VMT3, VPX5, VS15, VS3, VS4, VS5, VS6, VSB3 VSB4, VSB5, VWC5, VWE5
30	36135-ZF6-D41	VALVE, DASHPOT CHECK.....	1	1	-	1	1	-----	EDS1, EDS5, EDT1, EDT5, ES2, ES3, EWS1, EWS3, EWS4, EWS5, LFU, VEP5 VMQ3, VMT, VMT2, VMT3, VPX5, VS15, VS3, VS4, VS5, VS6, VSB3, VSB4 VSB5, VWC5, VWE5
31	53149-964-003	BUSH, ARM PIVOT.....	1	1	-	1	1	-----	EDS1, EDS5, EDT1, EDT5, ES2, ES3, ES5, EWS1, EWS3, EWS4, EWS5, LFU VEP5, VMQ3, VMT, VMT2, VMT3, VPX5, VS15, VS3, VS4, VS5, VS6, VSB3 VSB4, VSB5, VWC5, VWE5
32	88911-MJ3-000	GROMMET, FENDER.....	1	1	-	1	1	-----	EDS1, EDS5, EDT1, EDT5, ES2, ES3, ES5, EWS1, EWS3, EWS4, EWS5, LFU VEP5, VMQ3, VMT, VMT2, VMT3, VPX5, VS15, VS3, VS4, VS5, VS6, VSB3 VSB4, VSB5, VWC5, VWE5
33	90431-ZE2-700	WASHER, CHOKE LEVER.....	1	1	-	1	1	-----	EDS1, EDS5, EDT1, EDT5, ES2, ES3, ES5, EWS1, EWS3, EWS4, EWS5, LFU VEP5, VMQ3, VMT, VMT2, VMT3, VPX5, VS15, VS3, VS4, VS5, VS6, VSB3 VSB4, VSB5, VWC5, VWE5
34	90432-ZE2-700	SEAL, CHOKE LEVER.....	2	2	-	2	2	-----	EDS1, EDS5, EDT1, EDT5, ES2, ES3, ES5, EWS1, EWS3, EWS4, EWS5, LFU VEP5, VMQ3, VMT, VMT2, VMT3, VPX5, VS15, VS3, VS4, VS5, VS6, VSB3 VSB4, VSB5, VWC5, VWE5
35	90433-ZE2-700	WASHER, THRUST, 2.7X8.....	1	1	-	1	1	-----	EDS1, EDS5, EDT1, EDT5, ES2, ES3, ES5, EWS1, EWS3, EWS4, EWS5, LFU VEP5, VMQ3, VMT, VMT2, VMT3, VPX5, VS15, VS3, VS4, VS5, VS6, VSB3 VSB4, VSB5, VWC5, VWE5
36	90434-ZE2-700	COLLAR, LEVER.....	1	1	-	1	1	-----	EDS1, EDS5, EDT1, EDT5, ES2, ES3, ES5, EWS1, EWS3, EWS4, EWS5, LFU VEP5, VMQ3, VMT, VMT2, VMT3, VPX5, VS15, VS3, VS4, VS5, VS6, VSB3 VSB4, VSB5, VWC5, VWE5
37	90650-SD9-003	CLIP, WIRE HARNESS.....	1	1	-	-	-	-----	EDS1, EDS5, EDT1, EDT5, ES2, ES3, EWS1, EWS3, EWS4, EWS5, VMQ3, VMT VMT2, VMT3, VS15, VS3, VS4, VS5, VS6, VSB3, VSB4, VSB5, VWC5, VWE5
38	90854-ZB2-000	RUBBER, FUEL(9X15X10).....	1	1	-	-	-	-----	ES2, ES3, VMQ3, VMT, VMT2, VMT3, VS4, VS6, VSB3, VSB4, VSB5
	90854-ZB3-000	RUBBER, FUEL(9X15X20).....	-	1	-	-	-	-----	EWS1, EWS3, EWS4, EWS5, VEP5, VS3, VS5
39	93500-05012-0A	SCREW, PAN, 5X12.....	2	2	-	2	2	-----	EDS1, EDS5, EDT1, EDT5, ES2, ES3, ES5, EWS1, EWS3, EWS4, EWS5, LFU VEP5, VMQ3, VMT, VMT2, VMT3, VPX5, VS15, VS3, VS4, VS5, VS6, VSB3 VSB4, VSB5, VWC5, VWE5
40	93892-05012-18	SCREW-WASHER, 5X12.....	2	2	-	2	2	-----	EDS1, EDS5, EDT1, EDT5, ES2, ES3, ES5, EWS1, EWS3, EWS4, EWS5, LFU VEP5, VMQ3, VMT, VMT2, VMT3, VS15, VS3, VS4, VS5, VS6, VSB3, VSB4 VSB5, VWC5, VWE5
41	94050-06000	NUT, FLANGE, 6MM.....	2	-	-	-	-	-----	ES2, ES3, VMQ3, VMT2, VMT3, VS4, VS6, VSB4, VSB5
42	94103-05000	WASHER, PLAIN, 5MM.....	1	1	-	1	1	-----	EDS1, EDS5, EDT1, EDT5, ES2, ES3, ES5, EWS1, EWS3, EWS4, EWS5, LFU VEP5, VMQ3, VMT, VMT2, VMT3, VPX5, VS15, VS3, VS4, VS5, VS6, VSB3 VSB4, VSB5, VWC5, VWE5
43	94540-02010	E-RING, 2MM.....	1	1	-	1	1	-----	EDS1, EDS5, EDT1, EDT5, ES2, ES3, ES5, EWS1, EWS3, EWS4, EWS5, LFU VEP5, VMQ3, VMT, VMT2, VMT3, VPX5, VS15, VS3, VS4, VS5, VS6, VSB3 VSB4, VSB5, VWC5, VWE5
44	94540-04010	E-RING, 4MM.....	1	1	-	1	1	-----	EDS1, EDS5, EDT1, EDT5, ES2, ES3, ES5, EWS1, EWS3, EWS4, EWS5, LFU VEP5, VMQ3, VMT, VMT2, VMT3, VPX5, VS15, VS3, VS4, VS5, VS6, VSB3 VSB4, VSB5, VWC5, VWE5
45	94540-07010	E-RING, 7MM.....	1	1	-	1	1	-----	EDS1, EDS5, EDT1, EDT5, ES2, ES3, ES5, EWS1, EWS3, EWS4, EWS5, LFU VEP5, VMQ3, VMT, VMT2, VMT3, VPX5, VS15, VS3, VS4, VS5, VS6, VSB3 VSB4, VSB5, VWC5, VWE5
46	95001-45150-40	TUBE, FUEL, 4.5X150 (95001-45001-60M)	1	1	-	-	-	-----	ES2, ES3, ES5, EWS1, EWS3, EWS4, EWS5, VS3, VS4, VS5, VS6, VSB3, VSB4 VSB5
	95001-45250-40	TUBE, FUEL, 4.5X250 (95001-45001-60M)	1	1	-	-	-	-----	VMQ3, VMT, VMT2, VMT3
	95001-45300-40	TUBE, FUEL, 4.5X300 (95001-45001-60M)	-	1	-	-	-	-----	VS15



E-14-2

CARBURETOR(3)

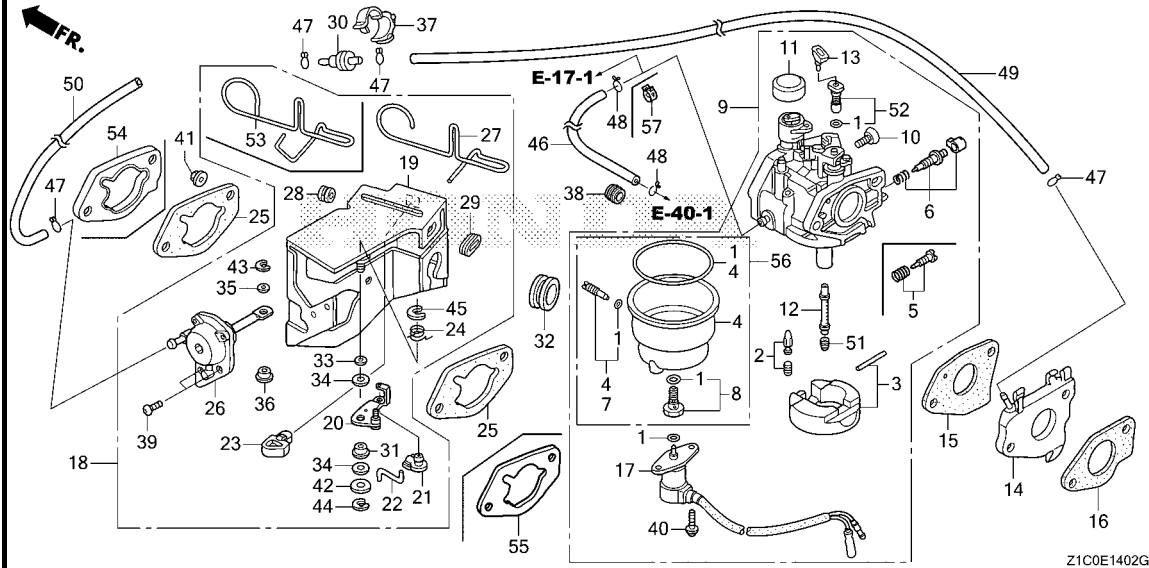


Z1C0E1402G

Ref. No.	Part No.	Description	Reqd. QTY					Serial No.	Parts catalogue code
			GX 390 T1	GX 390 T2	GX 390 T2X	GX 390 UT2	GX 390 UT2X		
46)	95001-45210-40	TUBE, FUEL, 4.5X210 (95001-45001-60M)	-	-	-	1	1	-----	LFU
47	95002-02070	CLIP, TUBE(B7)	4	4	-	4	4	-----	EDS1, EDS5, EDT1, EDT5, ES2, ES3, EWS1, EWS3, EWS4, EWS5, LFU, VEP5, VMQ3, VMT, VMT2, VMT3, VPX5, VS15, VS3, VS4, VS5, VS6, VSB3, VSB4, VSB5, VWC5, VWE5
48	95002-02080	CLIP, TUBE(B8)	2	2	-	1	1	-----	ES2, ES3, ES5, EWS1, EWS3, EWS4, EWS5, LFU, VMQ3, VMT, VMT2, VMT3, VS15, VS3, VS4, VS5, VS6, VSB3, VSB4, VSB5
49	95005-35075-10	TUBE, 3.5X75(95005-35001-10M)	1	1	-	1	1	-----	EDS1, EDS5, EDT1, EDT5, ES2, ES3, EWS3, EWS5, LFU, VEP5, VMQ3, VMT, VMT2, VMT3, VPX5, VS15, VS3, VS4, VS5, VS6, VSB3, VSB4, VSB5, VWC5, VWE5
	95005-35055-10	TUBE, 3.5X55(95005-35001-10M)	-	1	-	-	-	-----	EWS1, EWS4
50	95005-35130-10	TUBE, 3.5X130(95005-35001-10M)	1	1	-	1	1	-----	EDS1, EDS5, EDT1, EDT5, ES2, ES3, EWS1, EWS3, EWS4, EWS5, LFU, VEP5, VMQ3, VMT, VMT2, VMT3, VPX5, VS15, VS3, VS4, VS5, VS6, VSB3, VSB4, VSB5, VWC5, VWE5
51	99101-ZH8-1000	JET, MAIN, #100	(1)	(1)	-	-	-	-----	EDS1, EDS5, EDT1, EDT5, ES2, ES3, ES5, EWS1, EWS3, EWS4, EWS5, VEP5, VMQ3, VMT, VMT2, VMT3, VS15, VS3, VS4, VS5, VS6, VSB3, VSB4, VSB5, VWC5, VWE5
	99101-ZH8-1020	JET, MAIN, #102	1	1	-	-	-	-----	EDS1, EDS5, EDT1, EDT5, ES2, ES3, ES5, EWS1, EWS3, EWS4, EWS5, VEP5, VMQ3, VMT, VMT2, VMT3, VS15, VS3, VS4, VS5, VS6, VSB3, VSB4, VSB5, VWC5, VWE5
	99101-ZH8-0980	JET, MAIN, #98	(1)	-	-	-	-	-----	ES2, ES3, VMQ3, VMT2, VMT3, VS4, VS6, VSB4, VSB5
	99101-ZH8-0950	JET, MAIN, #95	-	(1)	-	-	-	-----	EDS1, EDS5, EDT1, EDT5, ES2, ES5, EWS1, EWS3, EWS4, EWS5, VEP5, VMQ3, VMT, VMT2, VMT3, VS15, VS3, VS4, VS5, VS6, VSB3, VSB4, VWC5, VWE5
	99101-ZH8-0980	JET, MAIN, #98	-	(1)	-	-	-	-----	VPX5
	99101-ZH8-1020	JET, MAIN, #102	-	(1)	-	-	-	-----	VPX5
	99101-ZH8-1050	JET, MAIN, #105	-	1	-	-	-	-----	VPX5
	99101-ZH8-1080	JET, MAIN, #108	-	-	-	(1)	(1)	-----	LFU
	99101-ZH8-1100	JET, MAIN, #110	-	-	-	(1)	(1)	-----	LFU

E-14-2

CARBURETOR(3)

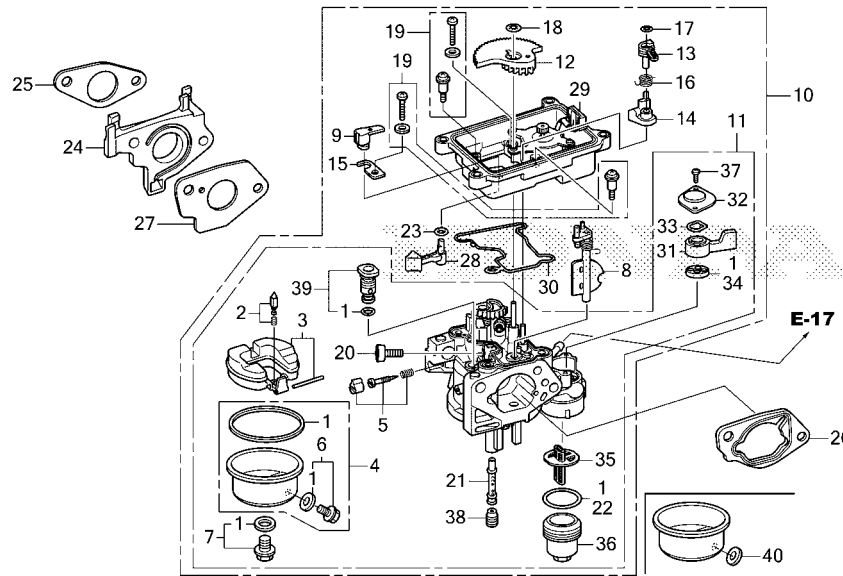


Ref. No.	Part No.	Description	Reqd. QTY					Serial No.	Parts catalogue code
			GX 390 T1	GX 390 T2	GX 390 T2X	GX 390 UT2	GX 390 UT2X		
51)	99101-ZH8-1120	JET, MAIN, #112	-	-	-	1	1	-----	LFU
52	99204-ZA0-0450	JET SET, PILOT, #45	1	1	-	-	-	-----	EDS1, EDS5, EDT1, EDT5, ES2, ES3, ES5, EWS1, EWS3, EWS4, EWS5, VEP5, VMQ3, VMT, VMT2, VMT3, VS15, VS3, VS4, VS5, VS6, VSB3, VSB4, VSB5, VWC5, VWE5
	99204-ZA0-0400	JET SET, PILOT, #40	-	1	-	-	-	-----	VPX5
	99204-ZE0-0450	JET SET, PILOT, #45	-	-	-	1	1	-----	LFU
53	16611-ZE3-D21	ROD, CHOKE CONTROL	-	1	-	1	1	-----	EDS1, EDS5, EDT1, EDT5, ES2, EWS1, EWS3, EWS4, EWS5, LFU, VEP5, VMQ3, VMT, VMT2, VMT3, VPX5, VS15, VS3, VS4, VS5, VS6, VSB3, VSB4, VWC5, VWE5
54	16220-ZA0-702	SPACER COMP., CARBURETOR	-	1	-	-	-	1470042	ES5
			-	1	-	1	1	-----	EDS1, EDS5, EDT1, EDT5, ES2, ES5, EWS1, EWS3, EWS4, EWS5, LFU, VEP5, VMQ3, VMT, VMT2, VMT3, VPX5, VS15, VS3, VS4, VS5, VS6, VSB3, VSB4, VWC5, VWE5
55	17228-Z5T-000	PACKING, AIR CLEANER	-	1	-	1	1	-----	EDS1, EDS5, EDT1, EDT5, ES2, ES5, EWS1, EWS3, EWS4, EWS5, LFU, VEP5, VMQ3, VMT, VMT2, VMT3, VPX5, VS15, VS3, VS4, VS5, VS6, VSB3, VSB4, VWC5, VWE5
56	06160-Z1C-325	BOLT KIT, FUEL CHAMBER	-	1	-	-	-	-----	VPX5
57	95002-40800-08	CLAMP, TUBE(D8)	-	1	-	-	-	-----	VEP5, VWC5, VWE5



E-14-3

CARBURETOR(4)

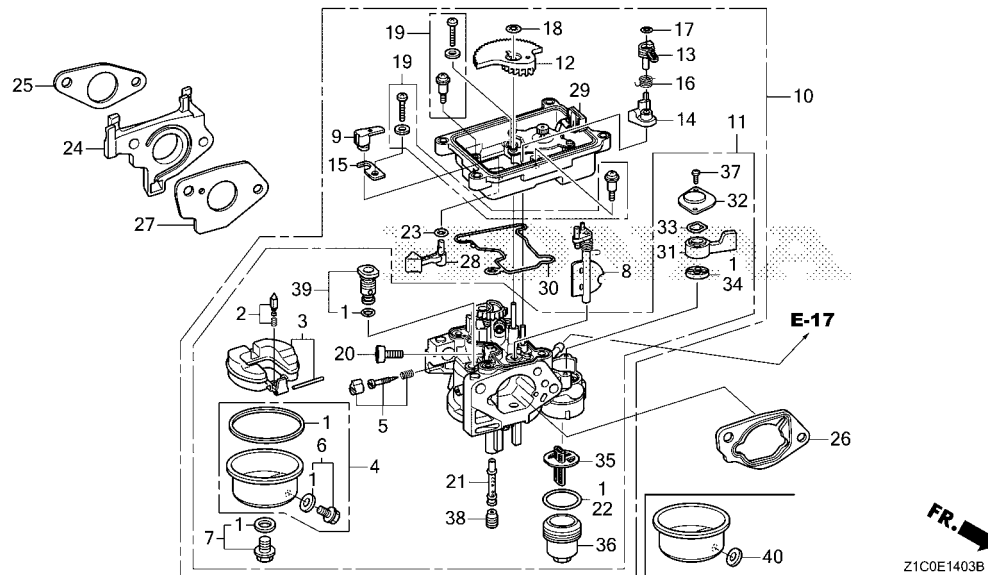


Ref. No.	L.O.N.	(Relative ref. Number) Description	F.R.T.
1	3111W7	GASKET SET, CARBURETOR(B)	0.5
2	3111G6	FLOAT VALVE SET AND/OR FLOAT SET(A)	0.4
4	3111M2	FLOAT CHAMBER SET AND/OR GASKET(A)	0.3
5	3111D7	SCREW SET, PILOT	0.2
8	8101C5	CHOKE SET, CARBURETOR	0.4
9	3111N6	ARM, CARBURETOR MANUAL START ..	0.4
10	3111G7	CARBURETOR(A)	0.3
11	3111X5	CARBURETOR SET	0.4
12	3111N1	GEAR, CARBURETOR MIDDLE	0.3
14	8101Z6	LEVER, CARBURETOR CHOKE(A) ...	0.4
22	3101L6	PACKING, FUEL STRAINER CUP ...	0.2
24	3111G2	CARBURETOR INSULATOR AND/OR PACKING(A)	0.3
26	3111D9	SPACER, CARBURETOR	0.2
27	3111G5	PACKING, CARBURETOR(A)	0.3
28	3111N8	LEVER, CARBURETOR MANUAL START	0.4
29	3111M9	CASE, THROTTLE CONTROL MOTOR ..	0.4

Ref. No.	Part No.	Description	Reqd. QTY					Serial No.	Parts catalogue code
			GX 390 T1	GX 390 T2	GX 390 T2X	GX 390 UT2	GX 390 UT2X		
1	16010-ZE2-812	GASKET SET	-	1	-	-	-	QZSD, SZSK, VZKK, VZX	
2	16011-ZA0-931	VALVE SET, FLOAT	-	1	-	-	-	QZSD, SZSK, VZKK, VZX	
3	16013-Z1C-003	FLOAT SET	-	1	-	-	-	QZSD, SZSK, VZKK, VZX	
4	16015-Z5T-901	CHAMBER SET, FLOAT	-	1	-	-	-	QZSD, SZSK, VZKK, VZX	
5	16016-ZH7-W01	SCREW SET, PILOT	-	1	-	-	-	QZSD, SZSK, VZKK, VZX	
6	16024-Z5T-901	SCREW SET, DRAIN	-	1	-	-	-	QZSD, SZSK, VZKK, VZX	
7	16028-Z5T-901	SCREW SET	-	1	-	-	-	QZSD, SZSK, VZKK, VZX	
8	16044-Z5T-W11	CHOKE SET	-	1	-	-	-	QZSD, SZSK	
	16044-Z5T-W01	-	1	-	-	1486540	VZKK, VZX	
	16044-Z5T-W11	-	1	-	-	1486541	VZKK, VZX	
9	16045-Z5T-W01	ARM, MANUAL START	-	1	-	-	-	QZSD, SZSK, VZKK, VZX	
10	16100-Z5T-W11	CARBURETOR ASSY.(BE92G A)	-	1	-	-	-	QZSD, SZSK	
	16100-Z5T-W01	CARBURETOR ASSY.(BE92B A)	-	1	-	-	1043008	VZX	
	16100-Z5T-W02	-	1	-	-	1486540	VZKK	
	16100-Z5T-W11	CARBURETOR ASSY.(BE92G A)	-	1	-	-	1043009	1486540 VZX	
	16100-Z5T-W11	-	1	-	-	1486541	VZKK, VZX	
11	16110-Z5T-W11	CARBURETOR SET	-	1	-	-	-	QZSD, SZSK	
	16110-Z5T-W01	-	1	-	-	1043008	VZX	
	16110-Z5T-W02	-	1	-	-	1486540	VZKK	
	16110-Z5T-W11	-	1	-	-	1486540	VZX	
	16110-Z5T-W11	-	1	-	-	1486541	VZKK, VZX	
12	16111-Z1C-H22	GEAR, MIDDLE	-	1	-	-	-	QZSD, SZSK	
	16111-Z5T-W01	-	1	-	-	1486540	VZKK, VZX	
	16111-Z1C-H22	-	1	-	-	1486541	VZKK, VZX	
13	16112-Z5T-W01	ARM, CHOKE	-	1	-	-	-	QZSD, SZSK, VZKK, VZX	
14	16113-Z5T-W01	LEVER, CHOKE CONTROL	-	1	-	-	-	QZSD, SZSK, VZKK, VZX	
15	16115-Z5T-W01	PLATE	-	1	-	-	-	QZSD, SZSK, VZKK, VZX	

E-14-3

CARBURETOR(4)



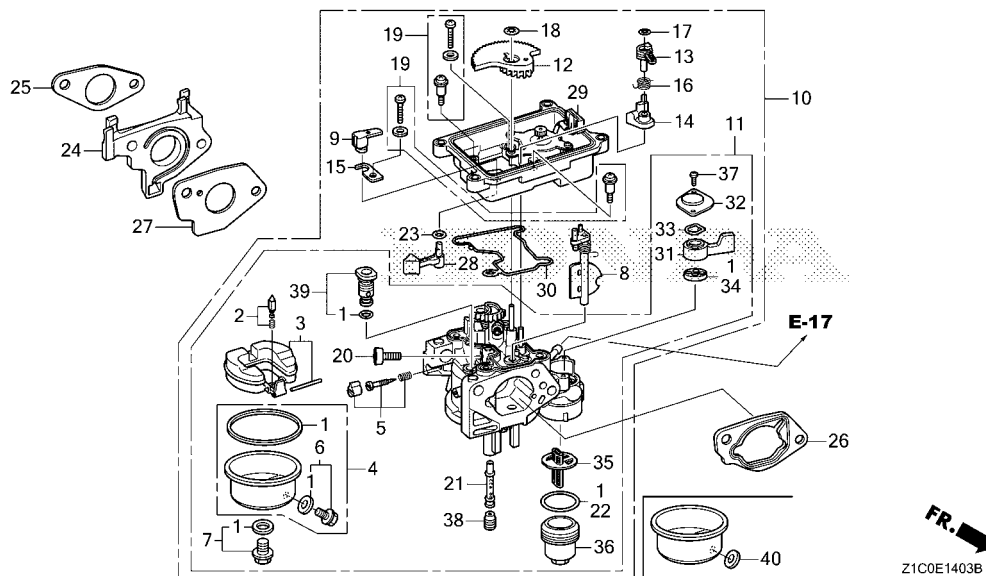
Ref. No.	L.O.N.	(Relative ref. Number) Description	F.R.T.
30	3111N0	PACKING, THROTTLE CONTROL MOTOR CASE	0.4
34	3101N0	PACKING, FUEL COCK(A)	0.4
35	3111P0	FILTER, CARBURETOR CUP	0.2
38	3111G4	JET, MAIN(A)	0.4

Ref. No.	Part No.	Description	Reqd. QTY					Serial No.	Parts catalogue code
			GX 390 T1	GX 390 T2	GX 390 T2X	GX 390 UT2	GX 390 UT2X		
16	16116-Z5T-W01	SPRING, TORSION COIL	-	1	-	-	-	QZSD, SZSK, VZKK, VZX	
17	16117-Z5T-W01	CLIP, SPECIAL	-	1	-	-	-	QZSD, SZSK, VZKK, VZX	
18	16118-Z5T-W01	CLIP, SPECIAL	-	1	-	-	-	QZSD, SZSK, VZKK, VZX	
19	16119-Z5T-W01	SCREW SET	-	2	-	-	-	QZSD, SZSK, VZKK, VZX	
20	16124-Z5T-W01	SCREW, STOP	-	1	-	-	-	QZSD, SZSK, VZKK, VZX	
21	16166-Z5T-W11	NOZZLE, MAIN	-	1	-	-	-	QZSD, SZSK	
	16166-Z5T-W01	-	1	-	-	1043008	VZX	
	16166-Z5T-W02	-	1	-	-	1486540	VZKK	
	16166-Z5T-W11	-	1	-	-	1043009	VZX	
	16166-Z5T-W11	-	1	-	-	1486541	VZKK, VZX	
22	16173-001-004	O-RING	-	1	-	-	-	QZSD, SZSK, VZKK, VZX	
23	16178-ZJ0-911	O-RING, 4.8X1.9	-	1	-	-	-	QZSD, SZSK, VZKK, VZX	
24	16211-Z5T-W00	INSULATOR, CARBURETOR	-	1	-	-	-	QZSD, SZSK, VZKK, VZX	
25	16212-Z5T-000	PACKING, CARBURETOR INSULATOR	-	1	-	-	-	QZSD, SZSK, VZKK, VZX	
26	16220-ZA0-702	SPACER COMP., CARBURETOR	-	1	-	-	-	QZSD, SZSK, VZKK, VZX	
27	16221-Z5T-000	PACKING, CARBURETOR	-	1	-	-	-	QZSD, SZSK, VZKK, VZX	
28	16612-Z5T-W01	LEVER, MANUAL START	-	1	-	-	-	QZSD, SZSK, VZKK, VZX	
29	16646-Z5T-W01	CASE COMP., MOTOR	-	1	-	-	-	QZSD, SZSK, VZKK, VZX	
30	16648-Z5T-W01	U-RING	-	1	-	-	-	QZSD, SZSK, VZKK, VZX	
31	16953-ZE1-812	LEVER, COCK	-	1	-	-	-	QZSD, SZSK, VZKK, VZX	
32	16954-ZE1-812	PLATE, LEVER SETTING	-	1	-	-	-	QZSD, SZSK, VZKK, VZX	
33	16956-ZE1-811	SPRING, COCK LEVER	-	1	-	-	-	QZSD, SZSK, VZKK, VZX	
34	16957-ZE1-812	PACKING, FUEL COCK	-	1	-	-	-	QZSD, SZSK, VZKK, VZX	
35	16959-Z5T-901	FILTER, CUP	-	1	-	-	-	QZSD, SZSK, VZKK, VZX	
36	16967-ZE0-811	CUP, FUEL STRAINER	-	1	-	-	-	QZSD, SZSK, VZKK, VZX	



E-14-3

CARBURETOR(4)

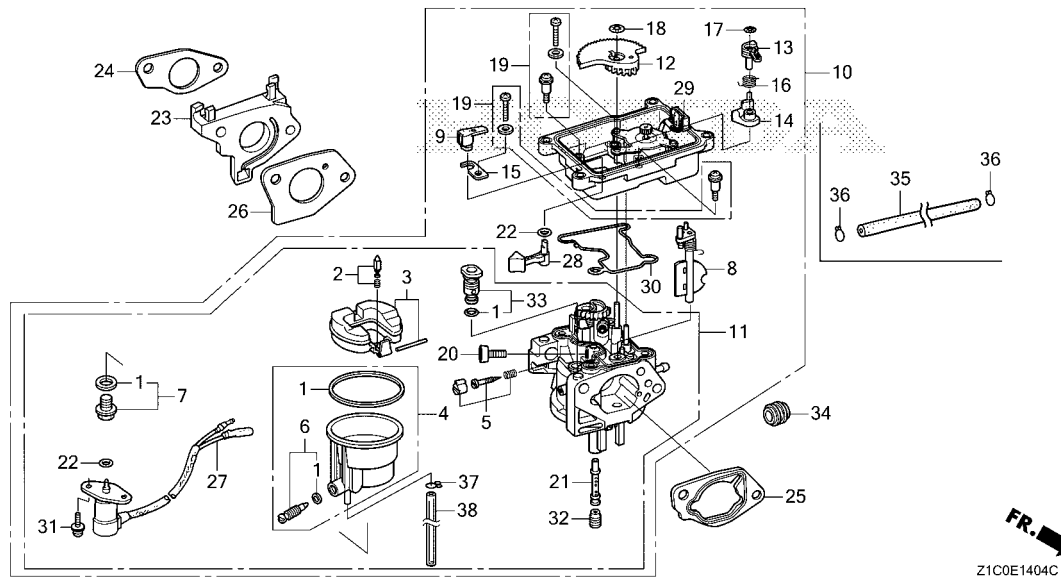


Ref. No.	Part No.	Description	Reqd. QTY					Serial No.	Parts catalogue code
			GX 390 T1	GX 390 T2	GX 390 T2X	GX 390 UT2	GX 390 UT2X		
37	93500-03006-1H	SCREW, PAN, 3X6	-	2	-	-	-	QZSD, SZSK, VZKK, VZX	
38	99101-ZH8-1020	JET, MAIN, #102	-	(1)	-	-	-	QZSD, SZSK	
	99101-ZH8-1050	JET, MAIN, #105	-	1	-	-	-	QZSD, SZSK	
	99101-ZH8-0980	JET, MAIN, #98	-	(1)	-	-	-	QZSD, SZSK, VZKK, VZX	
	99101-ZH8-1020	JET, MAIN, #102	-	1	-	-	1043008	VZX	
	99101-ZH8-1000	JET, MAIN, #100	-	1	-	-	1486540	VZKK	
	99101-ZH8-0920	JET, MAIN, #92	-	(1)	-	-	1486540	VZKK, VZX	
	99101-ZH8-1000	JET, MAIN, #100	-	1	-	-	1043009	1486540 VZX	
	99101-ZH8-1020	JET, MAIN, #102	-	(1)	-	-	1486541	VZKK, VZX	
	99101-ZH8-1050	JET, MAIN, #105	-	1	-	-	1486541	VZKK, VZX	
39	99204-ZE2-0400	JET SET, PILOT, #40	-	1	-	-	-	QZSD, SZSK	
	99204-ZE2-0380	JET SET, PILOT, #38	-	1	-	-	1486540	VZKK, VZX	
	99204-ZE2-0400	JET SET, PILOT, #40	-	1	-	-	1486541	VZKK, VZX	
40	16141-Z0S-003	WASHER, PLAIN(6.2X10.7 DRAIN)	-	(1)	-	-	-	QZSD, SZSK, VZKK, VZX	



E-14-4

CARBURETOR(5)



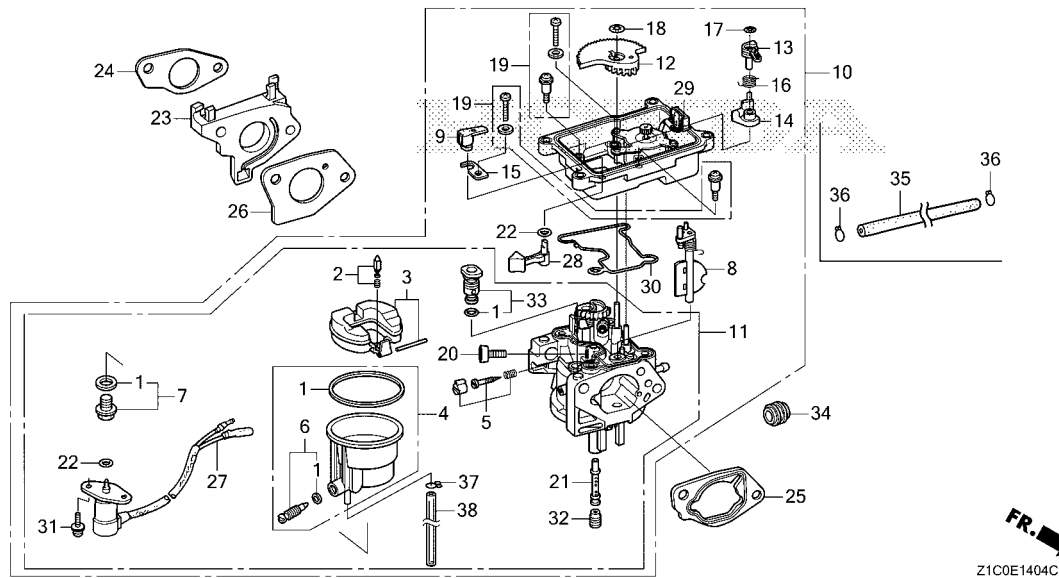
Ref. No.	L.O.N.	(Relative ref. Number) Description	F.R.T.
1	3111W7	GASKET SET, CARBURETOR(B)	0.5
2	3111G6	FLOAT VALVE SET AND/OR FLOAT SET(A)	0.4
4	3111M2	FLOAT CHAMBER SET AND/OR GASKET(A)	0.3
5	3111D7	SCREW SET, PILOT	0.2
8	8101C5	CHOKE SET, CARBURETOR	0.4
9	3111N6	ARM, CARBURETOR MANUAL START ..	0.4
10	3111G7	CARBURETOR(A)	0.3
11	3111X5	CARBURETOR SET	0.4
12	3111N1	GEAR, CARBURETOR MIDDLE	0.3
14	8101Z6	LEVER, CARBURETOR CHOKE(A) ...	0.4
23	3111G2	CARBURETOR INSULATOR AND/OR PACKING(A)	0.3
25	3111D9	SPACER, CARBURETOR	0.2
26	3111G5	PACKING, CARBURETOR(A)	0.3
27	6211C0	VALVE, CARBURETOR SOLENOID ...	0.2
28	3111N8	LEVER, CARBURETOR MANUAL START	0.4
29	3111M9	CASE, THROTTLE CONTROL MOTOR ..	0.4

Ref. No.	Part No.	Description	Reqd. QTY					Serial No.	Parts catalogue code
			GX 390 T1	GX 390 T2	GX 390 T2X	GX 390 UT2	GX 390 UT2X		
1	16010-ZE3-701	GASKET SET	-	1	-	-	-	EZD5, EZDS, EZS4, EZS5, QZSL, VZS5, VZS6	
2	16011-ZA0-931	VALVE SET, FLOAT	-	1	-	-	-	EZD5, EZDS, EZS4, EZS5, QZSL, VZS5, VZS6	
3	16013-Z1C-003	FLOAT SET	-	1	-	-	-	EZD5, EZDS, EZS4, EZS5, QZSL, VZS5, VZS6	
4	16015-ZA0-931	CHAMBER SET, FLOAT	-	1	-	-	-	EZD5, EZDS, EZS4, EZS5, QZSL, VZS5, VZS6	
5	16016-ZH7-W01	SCREW SET, PILOT	-	1	-	-	-	EZD5, EZDS, EZS4, EZS5, QZSL, VZS5, VZS6	
6	16024-124-760	SCREW SET, DRAIN	-	1	-	-	-	EZD5, EZDS, EZS4, EZS5, QZSL, VZS5, VZS6	
7	16028-Z7E-E61	SCREW SET	-	1	-	-	-	EZD5	
	16028-ZA0-931	-	1	-	-	-	EZDS, EZS4, EZS5, QZSL, VZS5, VZS6	
8	16044-ZBH-W11	CHOKE SET	-	1	-	-	-	EZD5, EZDS, EZS4, EZS5, QZSL, VZS5, VZS6	
9	16045-Z5T-W01	ARM, MANUAL START	-	1	-	-	-	EZD5, EZDS, EZS4, EZS5, QZSL, VZS5, VZS6	
10	16100-ZBH-W13	CARBURETOR ASSY.(BE79A C)	-	1	-	-	-	EZD5	
	16100-ZBH-W12	CARBURETOR ASSY.(BE79A B)	-	1	-	-	-	EZDS, EZS4, EZS5, VZS5, VZS6	
	16100-ZBH-W22	CARBURETOR ASSY.(BE79C A)	-	1	-	-	-	QZSL	
11	16110-ZBH-W13	CARBURETOR SET	-	1	-	-	-	EZD5	
	16110-ZBH-W12	-	1	-	-	-	EZDS, EZS4, EZS5, VZS5, VZS6	
	16110-ZBH-W22	-	1	-	-	-	QZSL	
12	16111-Z5K-W21	GEAR, MIDDLE	-	1	-	-	-	EZD5	
	16111-Z1C-H22	-	1	-	-	1486540	EZDS, EZS4, EZS5, QZSL, VZS5, VZS6	
	16111-Z5K-W21	-	1	-	-	1486541	EZDS, EZS4, EZS5, QZSL, VZS5, VZS6	
13	16112-Z5T-W01	ARM, CHOKE	-	1	-	-	-	EZD5, EZDS, EZS4, EZS5, QZSL, VZS5, VZS6	
14	16113-Z5T-W01	LEVER, CHOKE CONTROL	-	1	-	-	-	EZD5, EZDS, EZS4, EZS5, QZSL, VZS5, VZS6	
15	16115-Z5T-W01	PLATE	-	1	-	-	-	EZD5, EZDS, EZS4, EZS5, QZSL, VZS5, VZS6	
16	16116-Z5T-W01	SPRING, TORSION COIL	-	1	-	-	-	EZD5, EZDS, EZS4, EZS5, QZSL, VZS5, VZS6	
17	16117-Z5T-W01	CLIP, SPECIAL	-	1	-	-	-	EZD5, EZDS, EZS4, EZS5, QZSL, VZS5, VZS6	
18	16118-Z5T-W01	CLIP, SPECIAL	-	1	-	-	-	EZD5, EZDS, EZS4, EZS5, QZSL, VZS5, VZS6	
19	16119-Z5T-W01	SCREW SET	-	2	-	-	-	EZD5, EZDS, EZS4, EZS5, QZSL, VZS5, VZS6	



E-14-4

CARBURETOR(5)

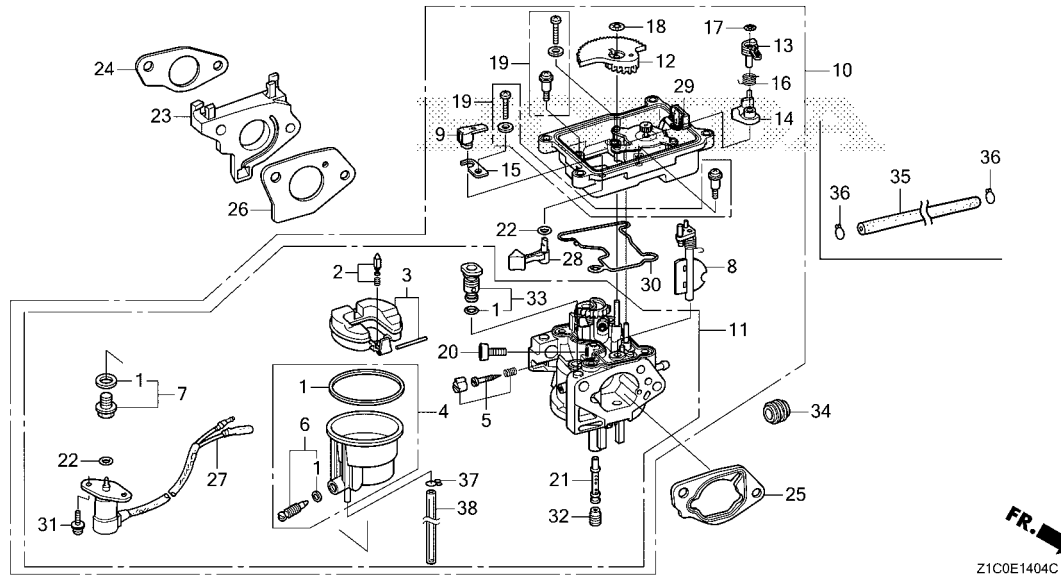


Ref. No.	L.O.N.	(Relative ref. Number) Description	F.R.T.
30	3111N0	PACKING, THROTTLE CONTROL MOTOR CASE	0.4
32		(21)	
	3111G4	JET, MAIN(A)	0.4
35	3101F6	TUBE, FUEL	0.2

Ref. No.	Part No.	Description	Reqd. QTY					Serial No.	Parts catalogue code
			GX 390 T1	GX 390 T2	GX 390 T2X	GX 390 UT2	GX 390 UT2X		
20	16124-Z5T-W01	SCREW, STOP	-	1	-	-	-	EZD5, EZDS, EZS4, EZS5, QZSL, VZS5, VZS6	
21	16166-ZBH-W11	NOZZLE, MAIN	-	1	-	-	-	EZD5, EZDS, EZS4, EZS5, QZSL, VZS5, VZS6	
22	16178-ZJ0-911	O-RING, 4.8X1.9	-	2	-	-	-	EZD5, EZDS, EZS4, EZS5, QZSL, VZS5, VZS6	
23	16211-Z8T-W00	INSULATOR, CARBURETOR	-	1	-	-	-	EZD5, QZSL	
	16211-Z5T-W00	-	1	-	-	1156148	EZDS, EZS4, EZS5, VZS5, VZS6	
	16211-Z8T-W00	-	1	-	-	1156149	EZDS, EZS4, EZS5, VZS5, VZS6	
24	16212-Z5T-000	PACKING, CARBURETOR INSULATOR	-	1	-	-	-	EZD5, EZDS, EZS4, EZS5, QZSL, VZS5, VZS6	
25	16220-ZA0-702	SPACER COMP., CARBURETOR	-	1	-	-	-	EZD5, EZDS, EZS4, EZS5, QZSL, VZS5, VZS6	
26	16221-Z8T-800	PACKING, CARBURETOR	-	1	-	-	-	EZD5	
	16221-Z5T-000	-	1	-	-	1156148	EZDS, EZS4, EZS5, VZS5, VZS6	
	16221-Z8T-000	-	1	-	-	1741034	EZS4, QZSL	
		-	1	-	-	1156149	EZDS, EZS5, VZS5	
		-	1	-	-	1156149 1741034	EZS4, VZS6	
	16221-Z8T-800	-	1	-	-	1741035	EZS4, QZSL, VZS6	
27	16230-ZE3-702	VALVE ASSY., SOLENOID	-	1	-	-	-	EZD5, EZDS, EZS4, EZS5, QZSL, VZS5, VZS6	
28	16612-Z5T-W01	LEVER, MANUAL START	-	1	-	-	-	EZD5, EZDS, EZS4, EZS5, QZSL, VZS5, VZS6	
29	16646-Z5T-W01	CASE COMP., MOTOR	-	1	-	-	-	EZD5, EZDS, EZS4, EZS5, QZSL, VZS5, VZS6	
30	16648-Z5T-W01	U-RING	-	1	-	-	-	EZD5, EZDS, EZS4, EZS5, QZSL, VZS5, VZS6	
31	93892-05012-18	SCREW-WASHER, 5X12	-	2	-	-	-	EZD5, EZDS, EZS4, EZS5, QZSL, VZS5, VZS6	
32	99101-ZH8-0950	JET, MAIN, #95	-	1	-	-	-	EZD5, EZDS, EZS4, EZS5, QZSL, VZS5, VZS6	
	99101-ZH8-0880	JET, MAIN, #88	-	(1)	-	-	-	EZD5, EZDS, EZS4, EZS5, VZS5, VZS6	
	99101-ZH8-0920	JET, MAIN, #92	-	(1)	-	-	-	EZD5, EZDS, EZS4, EZS5, VZS5, VZS6	
	99101-ZH8-0880	JET, MAIN, #88	-	1	-	-	-	QZSL	
	99101-ZH8-0920	JET, MAIN, #92	-	1	-	-	-	QZSL	
33	99204-ZE2-0400	JET SET, PILOT, #40	-	1	-	-	-	EZD5, EZDS, EZS4, EZS5, QZSL, VZS5, VZS6	
34	90854-ZB2-000	RUBBER, FUEL(9X15X10)	-	1	-	-	-	EZDS, EZS4, EZS5, VZS5, VZS6	

E-14-4

CARBURETOR(5)

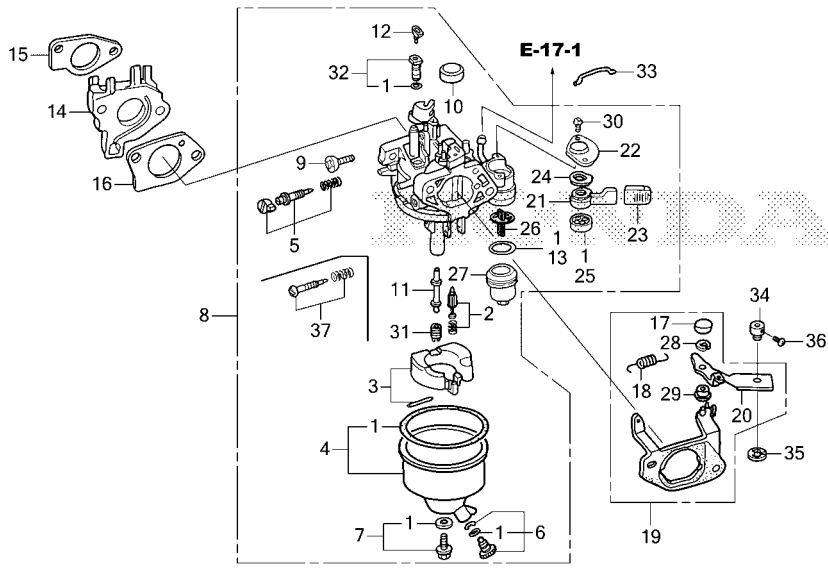


Ref. No.	Part No.	Description	Reqd. QTY					Serial No.	Parts catalogue code
			GX 390 T1	GX 390 T2	GX 390 T2X	GX 390 UT2	GX 390 UT2X		
35	95001-45150-40	TUBE, FUEL, 4.5X150 (95001-45001-60M)	-	1	-	-	-	----- EZS4, EZS5, VZS5, VZS6	
	95001-45360-40	TUBE, FUEL, 4.5X360 (95001-45001-60M)	-	1	-	-	1576796 -----	QZSL	
36	95002-02080	CLIP, TUBE(B8)	-	2	-	-	-----	EZS4, EZS5, VZS5, VZS6	
			-	1	-	-	1576796 -----	QZSL	
37	95002-45000	CLIP, TUBE(C8)	-	1	-	-	-----	QZSL	
38	95003-09040-31	TUBE, VINYL, 4.5X8X400 (95003-09001-60M)	-	1	-	-	-----	QZSL	



E-14-5

CARBURETOR(6)



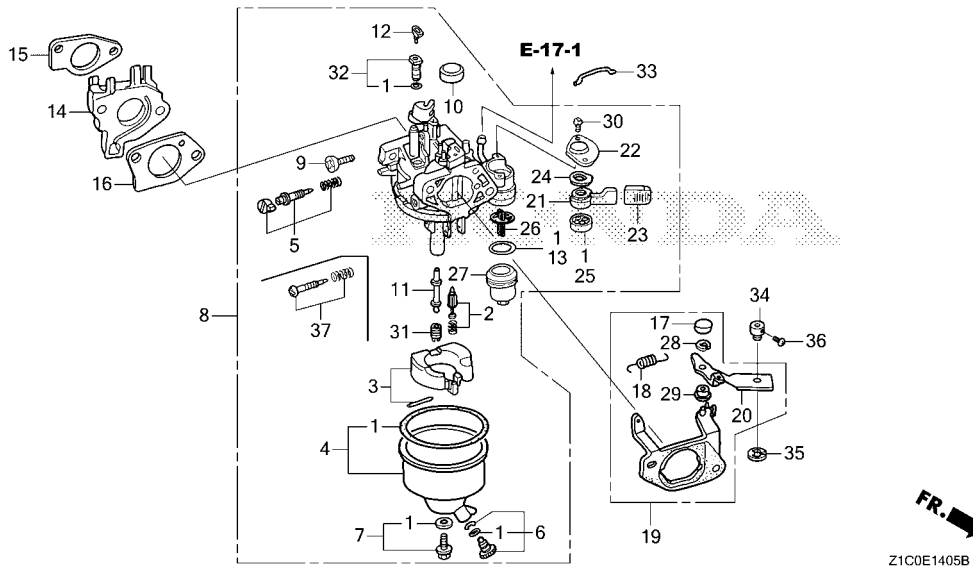
Ref. No.	L.O.N.	(Relative ref. Number) Description	F.R.T.
1	3111B1	GASKET SET, CARBURETOR	0.3
2	3111E1	FLOAT VALVE SET AND/OR FLOAT SET	0.3
5	3111D7	SCREW SET, PILOT	0.2
8	3111F3	CARBURETOR	0.2
13	3101L6	PACKING, FUEL STRAINER CUP ...	0.2
14	3111C0	CARBURETOR INSULATOR AND/OR PACKING	0.2
16	3111C8	PACKING, CARBURETOR	0.2
19	3111G3	STAY, CHOKE CONTROL	0.2
25	3101C5	PACKING, FUEL COCK	0.2
31	3111C3	JET, MAIN	0.3
33	8101J8	ROD, CARBURETOR CHOKE	0.2

Z1C0E1405B

Ref. No.	Part No.	Description	Reqd. QTY					Serial No.	Parts catalogue code
			GX 390 T1	GX 390 T2	GX 390 T2X	GX 390 UT2	GX 390 UT2X		
1	16010-ZE2-A20	GASKET SET	-	1	-	-	-	LWD1, SWDH, SWDL	
2	16011-ZA0-931	VALVE SET, FLOAT	-	1	-	-	-	LWD1, SWDH, SWDL	
3	16013-Z1C-003	FLOAT SET	-	1	-	-	-	LWD1, SWDH, SWDL	
4	16015-Z1C-H61	CHAMBER SET, FLOAT	-	1	-	-	-	LWD1, SWDH, SWDL	
5	16016-ZH7-W01	SCREW SET, PILOT	-	1	-	-	-	LWD1	
6	16024-ZH7-A20	SCREW SET, DRAIN	-	1	-	-	-	LWD1, SWDH, SWDL	
7	16028-Z5T-901	SCREW SET	-	1	-	-	-	LWD1, SWDH, SWDL	
8	16100-Z1C-871	CARBURETOR ASSY.(BE48G A)	-	1	-	-	-	LWD1	
	16100-Z1C-H41	CARBURETOR ASSY.(BE48E A)	-	1	-	-	-	SWDH, SWDL	
9	16124-ZE0-005	SCREW, THROTTLE STOP	-	1	-	-	-	LWD1, SWDH, SWDL	
10	16148-141-881	CAP, CHOKE DUST	-	1	-	-	-	LWD1, SWDH, SWDL	
11	16166-Z1C-H61	NOZZLE, MAIN	-	1	-	-	-	LWD1, SWDH, SWDL	
12	16172-ZE3-W10	COLLAR, SETTING	-	1	-	-	-	LWD1, SWDH, SWDL	
13	16173-001-004	O-RING	-	1	-	-	-	LWD1, SWDH, SWDL	
14	16211-Z5T-000	INSULATOR, CARBURETOR	-	1	-	-	-	LWD1, SWDH, SWDL	
15	16212-Z5T-000	PACKING, CARBURETOR INSULATOR	-	1	-	-	-	LWD1, SWDH, SWDL	
16	16221-Z5T-000	PACKING, CARBURETOR	-	1	-	-	-	LWD1, SWDH, SWDL	
17	16252-ZA1-010	CAP, CHOKE LEVER	-	1	-	-	-	LWD1, SWDH, SWDL	
18	16562-896-000	SPRING, THROTTLE RETURN	-	1	-	-	-	LWD1, SWDH, SWDL	
19	16590-ZE2-772	STAY ASSY., CHOKE CONTROL	-	1	-	-	-	LWD1, SWDH, SWDL	
		(REMOTE)	-	1	-	-	-	LWD1, SWDH, SWDL	
20	16610-ZE2-780	LEVER, CHOKE	-	1	-	-	-	LWD1, SWDH, SWDL	
21	16953-ZE1-712	LEVER, COCK	-	1	-	-	-	LWD1, SWDH, SWDL	
22	16954-ZE1-812	PLATE, LEVER SETTING	-	1	-	-	-	LWD1, SWDH, SWDL	
23	16955-ZE2-H21	CAP, LEVER	-	1	-	-	-	LWD1, SWDH, SWDL	

E-14-5

CARBURETOR(6)

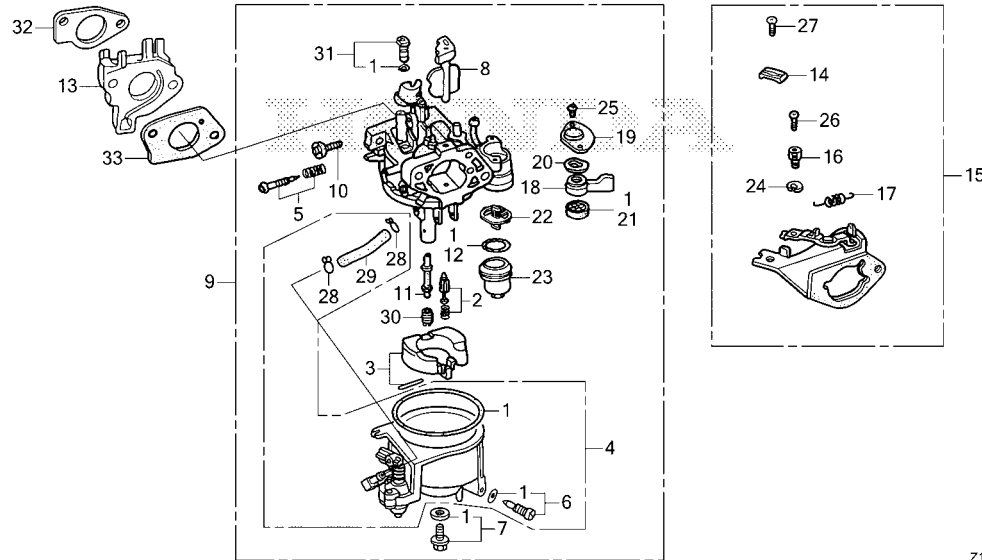


Ref. No.	Part No.	Description	Reqd. QTY					Serial No.	Parts catalogue code
			GX 390 T1	GX 390 T2	GX 390 T2X	GX 390 UT2	GX 390 UT2X		
24	16956-ZE1-811	SPRING, COCK LEVER	-	1	-	-	-	LWD1, SWDH, SWDL	
25	16957-ZE1-812	PACKING, FUEL COCK	-	1	-	-	-	LWD1, SWDH, SWDL	
26	16959-Z5T-901	FILTER, CUP	-	1	-	-	-	LWD1, SWDH, SWDL	
27	16967-ZE0-811	CUP, FUEL STRAINER	-	1	-	-	-	LWD1, SWDH, SWDL	
28	38689-680-960	E-RING, 4MM	-	1	-	-	-	LWD1, SWDH, SWDL	
29	91502-ZA0-310	BUSH, CHOKE LEVER	-	1	-	-	-	LWD1, SWDH, SWDL	
30	93500-03006-1H	SCREW, PAN, 3X6	-	2	-	-	-	LWD1, SWDH, SWDL	
31	99101-ZH8-0950	JET, MAIN, #95	-	(1)	-	-	-	LWD1, SWDH, SWDL	
	99101-ZH8-1000	JET, MAIN, #100	-	(1)	-	-	-	LWD1, SWDH, SWDL	
	99101-ZH8-1020	JET, MAIN, #102	-	1	-	-	-	LWD1, SWDH, SWDL	
32	99204-ZE2-0450	JET SET, PILOT, #45	-	1	-	-	-	LWD1	
	99204-ZE0-0450	-	1	-	-	-	SWDH	
	99204-ZE2-0450	-	1	-	-	1959229	SWDL	
	99204-ZE0-0450	-	1	-	-	1959230	SWDL	
33	16264-ZE2-780	ROD, CHOKE	-	1	-	-	-	LWD1, SWDH, SWDL	
34	16617-ZE3-H00	HOLDER, WIRE	-	1	-	-	-	LWD1, SWDH, SWDL	
35	90605-230-000	CIRCLIP, 5MM	-	1	-	-	-	LWD1, SWDH, SWDL	
36	93500-04006-0H	SCREW, PAN, 4X6	-	1	-	-	-	LWD1, SWDH, SWDL	
37	16016-ZE0-005	SCREW SET, PILOT	-	1	-	-	-	SWDH, SWDL	



E-14-6

CARBURETOR(7)



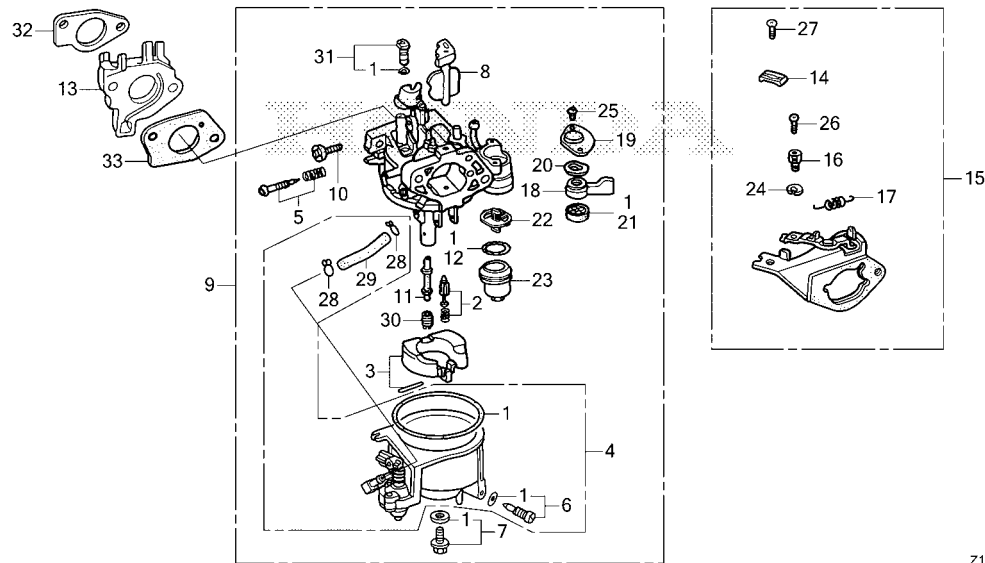
Ref. No.	L.O.N.	(Relative ref. Number) Description	F.R.T.
1	3111B1	GASKET SET, CARBURETOR	0.3
2	3111E1	FLOAT VALVE SET AND/OR FLOAT SET	0.3
5	3111D7	SCREW SET, PILOT	0.2
8	8101DU	CHOKE SET, CARBURETOR(A)	0.2
9	3111F3	CARBURETOR	0.2
12	3101L6	PACKING, FUEL STRAINER CUP ... (22,23)	0.2
13	3111C0	CARBURETOR INSULATOR AND/OR PACKING	0.2
15	3111G3	STAY, CHOKE CONTROL	0.2
21	3101C5	PACKING, FUEL COCK	0.2
30	3111C3	JET, MAIN	0.3
33	3111C8	PACKING, CARBURETOR	0.2

Z1C0E1406A

Ref. No.	Part No.	Description	Reqd. QTY					Serial No.	Parts catalogue code
			GX 390 T1	GX 390 T2	GX 390 T2X	GX 390 UT2	GX 390 UT2X		
1	16010-ZF6-U11	GASKET SET	-	1	-	-	-	SXX	
2	16011-ZA0-931	VALVE SET, FLOAT	-	1	-	-	-	SXX	
3	16013-ZA0-931	FLOAT SET	-	1	-	-	-	SXX	
4	16015-ZF6-U12	CHAMBER SET, FLOAT	-	1	-	-	-	SXX	
5	16016-ZF6-005	SCREW SET, PILOT	-	1	-	-	-	SXX	
6	16024-124-760	SCREW SET, DRAIN	-	1	-	-	-	SXX	
7	16028-Z5T-901	SCREW SET	-	1	-	-	-	SXX	
8	16044-ZF6-U11	CHOKE SET	-	1	-	-	-	SXX	
9	16100-Z1C-861	CARBURETOR ASSY.(BE88L A)	-	1	-	-	-	SXX	
10	16124-ZE0-005	SCREW, THROTTLE STOP	-	1	-	-	-	SXX	
11	16166-Z5T-901	NOZZLE, MAIN	-	1	-	-	-	SXX	
12	16173-001-004	O-RING	-	1	-	-	-	SXX	
13	16211-Z5T-000	INSULATOR, CARBURETOR	-	1	-	-	-	SXX	
14	16576-891-000	HOLDER, CABLE	-	1	-	-	-	SXX	
15	16590-ZE2-812	STAY ASSY., CHOKE CONTROL (REMOTE)	-	1	-	-	-	SXX	
16	16594-883-010	HOLDER, WIRE	-	1	-	-	-	SXX	
17	16615-ZE2-810	SPRING, RETURN	-	1	-	-	-	SXX	
18	16953-ZE1-812	LEVER, COCK	-	1	-	-	-	SXX	
19	16954-ZE1-812	PLATE, LEVER SETTING	-	1	-	-	-	SXX	
20	16956-ZE1-811	SPRING, COCK LEVER	-	1	-	-	-	SXX	
21	16957-ZE1-812	PACKING, FUEL COCK	-	1	-	-	-	SXX	
22	16959-Z5T-901	FILTER, CUP	-	1	-	-	-	SXX	
23	16967-ZE0-811	CUP, FUEL STRAINER	-	1	-	-	-	SXX	
24	90605-230-000	CIRCLIP, 5MM	-	1	-	-	-	SXX	

E-14-6

CARBURETOR(7)

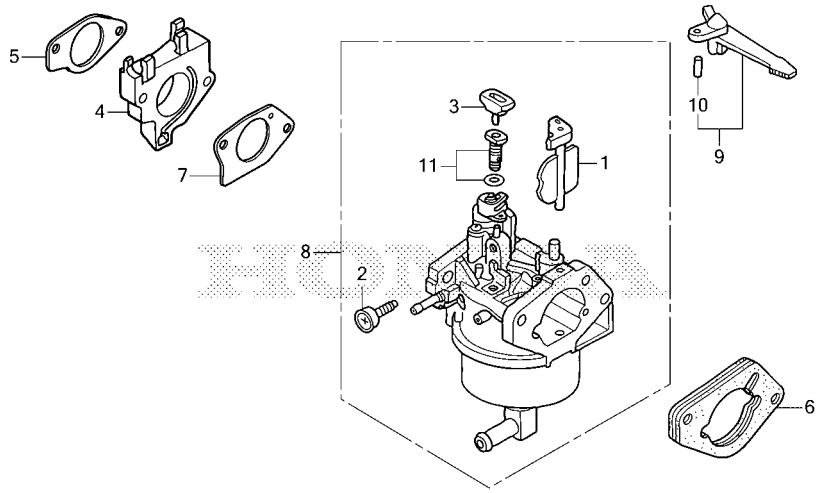


Ref. No.	Part No.	Description	Reqd. QTY					Serial No.	Parts catalogue code
			GX 390 T1	GX 390 T2	GX 390 T2X	GX 390 UT2	GX 390 UT2X		
25	93500-03006-1H	SCREW, PAN, 3X6	-	2	-	-	-	----- SXX	
26	93500-04006-0H	SCREW, PAN, 4X6	-	1	-	-	-	----- SXX	
27	93893-05016-00	SCREW-WASHER, 5X16	-	1	-	-	-	----- SXX	
28	95002-02079	CLIP, TUBE(B7)	-	2	-	-	-	----- SXX	
29	95005-35080-20	TUBE, 3.5X80(95005-35001-20M)	-	1	-	-	-	----- SXX	
30	99101-ZH8-0920	JET, MAIN, #92	-	(1)	-	-	-	----- SXX	
	99101-ZH8-0980	JET, MAIN, #98	-	(1)	-	-	-	----- SXX	
	99101-ZH8-1000	JET, MAIN, #100	-	1	-	-	-	----- SXX	
31	99204-ZE0-0380	JET SET, PILOT, #38	-	1	-	-	-	----- SXX	
32	16212-Z5T-000	PACKING, CARBURETOR INSULATOR	-	1	-	-	-	----- SXX	
33	16221-Z5T-000	PACKING, CARBURETOR	-	1	-	-	-	----- SXX	



E-14-7

MIXER(1)



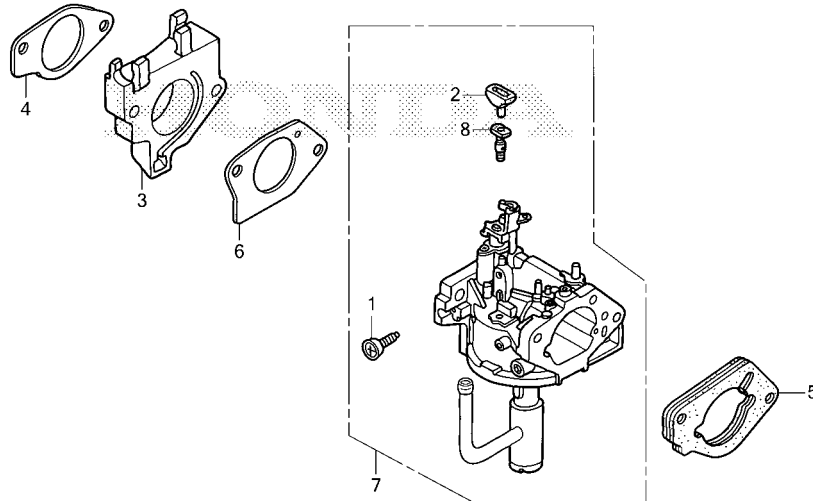
Ref. No.	L.O.N.	(Relative ref. Number) Description	F.R.T.
1	8101DU	CHOKE SET, CARBURETOR(A)	0.2
4	3111C0	(5) CARBURETOR INSULATOR AND/OR PACKING	0.2
6	3111D9	SPACER, CARBURETOR	0.2
7	3111C8	PACKING, CARBURETOR	0.2
8	3111G0	MIXER	0.2
9	8101F9	LEVER, CARBURETOR CHOKE	0.2

Z1C0E1407A

Ref. No.	Part No.	Description	Reqd. QTY					Serial No.	Parts catalogue code
			GX 390 T1	GX 390 T2	GX 390 T2X	GX 390 UT2	GX 390 UT2X		
1	16044-ZF6-W61	CHOKE SET	-	1	-	-	-	----- SMTP	
2	16124-ZE0-005	SCREW, THROTTLE STOP	-	1	-	-	-	----- SMTP	
3	16172-ZE3-W10	COLLAR, SETTING	-	1	-	-	-	----- SMTP	
4	16211-Z5T-000	INSULATOR, CARBURETOR	-	1	-	-	-	----- SMTP	
5	16212-Z5T-000	PACKING, CARBURETOR INSULATOR	-	1	-	-	-	----- SMTP	
6	16220-ZA0-702	SPACER COMP., CARBURETOR	-	1	-	-	-	----- SMTP	
7	16221-Z5T-000	PACKING, CARBURETOR	-	1	-	-	-	----- SMTP	
8	16350-Z1C-851	MIXER ASSY.(BEL5H A)	-	1	-	-	-	----- SMTP	
9	16610-ZE1-000	LEVER COMP., CHOKE(STD.)	-	1	-	-	-	----- SMTP	
10	94305-20122	PIN, SPRING, 2X12	-	1	-	-	-	----- SMTP	
11	99204-ZE0-0450	JET SET, PILOT, #45	-	1	-	-	-	----- SMTP	

E-14-8

MIXER(2)



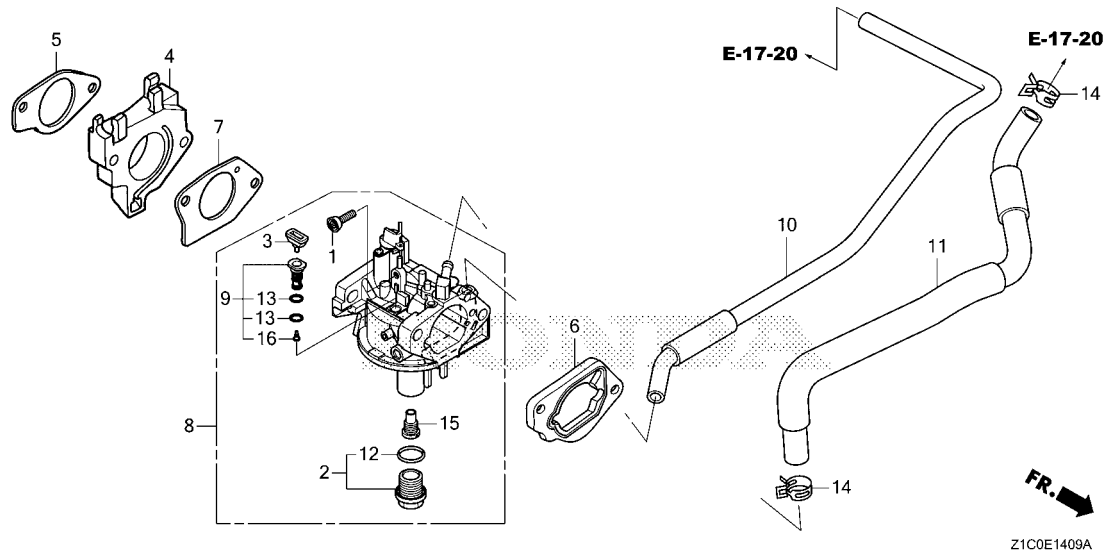
Ref. No.	L.O.N.	(Relative ref. Number) Description	F.R.T.
3		(4) CARBURETOR INSULATOR AND/OR PACKING	0.2
5		3111D9 SPACER, CARBURETOR	0.2
6		3111C8 PACKING, CARBURETOR	0.2
7		3111G0 MIXER	0.2

Ref. No.	Part No.	Description	Reqd. QTY					Serial No.	Parts catalogue code
			GX 390 T1	GX 390 T2	GX 390 T2X	GX 390 UT2	GX 390 UT2X		
1	16124-ZE0-005	SCREW, THROTTLE STOP.....	-	1	-	-	-	-----	SXX1
2	16172-ZE3-W10	COLLAR, SETTING.....	-	1	-	-	-	-----	SXX1
3	16211-Z5T-000	INSULATOR, CARBURETOR.....	-	1	-	-	-	-----	SXX1
4	16212-Z5T-000	PACKING, CARBURETOR INSULATOR	-	1	-	-	-	-----	SXX1
5	16220-ZA0-702	SPACER COMP., CARBURETOR.....	-	1	-	-	-	-----	SXX1
6	16221-Z5T-000	PACKING, CARBURETOR.....	-	1	-	-	-	-----	SXX1
7	16350-Z1C-841	MIXER ASSY.(BEL5G A).....	-	1	-	-	-	-----	SXX1
8	99104-ZE9-0450	JET, PILOT, #45.....	-	1	-	-	-	-----	SXX1



E-14-9

MIXER(3)



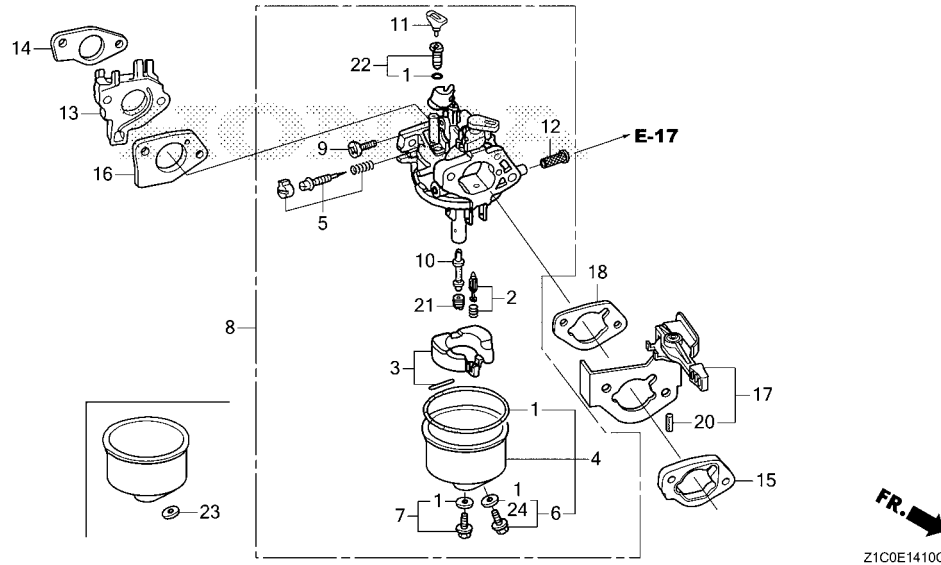
Ref. No.	L.O.N.	(Relative ref. Number) Description	F.R.T.
4	(5)	3111C0 CARBURETOR INSULATOR AND/OR PACKING	0.2
6	3111D9	SPACER, CARBURETOR	0.2
7	3111C8	PACKING, CARBURETOR	0.2
8	3111G0	MIXER	0.2
10	3111Q5	TUBE, PURGE	0.2
11	3101F5	TUBE, FUEL(A)	0.2

Ref. No.	Part No.	Description	Reqd. QTY					Serial No.	Parts catalogue code
			GX 390 T1	GX 390 T2	GX 390 T2X	GX 390 UT2	GX 390 UT2X		
1	16016-ZDK-005	SCREW, ADJUSTING.....	-	1	-	-	-	QNG,QTG,QXG,VXG	
2	16028-Z0V-005	SCREW SET	-	1	-	-	-	QNG,QTG,QXG,VXG	
3	16172-Z1C-890	COLLAR, SETTING.....	-	1	-	-	-	QNG,QTG,QXG,VXG	
4	16211-Z5T-000	INSULATOR, CARBURETOR	-	1	-	-	-	QNG,QTG,QXG,VXG	
5	16212-Z5T-000	PACKING, CARBURETOR INSULATOR	-	1	-	-	-	QNG,QTG,QXG,VXG	
6	16220-ZA0-702	SPACER COMP., CARBURETOR.....	-	1	-	-	-	QNG,QTG,QXG,VXG	
7	16221-Z5T-000	PACKING, CARBURETOR.....	-	1	-	-	-	QNG,QTG,QXG,VXG	
8	16350-Z1C-894	MIXER ASSY.	-	1	-	-	-	QNG,QTG,QXG,VXG	
9	16364-Z1C-005	JET SET, SLOW(#40)	-	1	-	-	-	QNG,QTG,QXG,VXG	
10	16563-Z1C-890	TUBE COMP., PURGE	-	1	-	-	-	QNG,QTG,QXG,VXG	
11	16860-Z1C-890	TUBE COMP., FUEL	-	1	-	-	-	QNG,QTG,QXG,VXG	
12	91301-Z0V-005	O-RING	-	1	-	-	-	QNG,QTG,QXG,VXG	
13	91301-ZDK-005	O-RING	-	2	-	-	-	QNG,QTG,QXG,VXG	
14	95002-41200-08	CLAMP, TUBE(D12).....	-	2	-	-	-	QNG,QTG,QXG,VXG	
15	99151-Z1C-3800	JET, MAIN(#380).....	-	1	-	-	-	QNG,QTG,QXG,VXG	
16	99154-Z1C-0400	JET, PILOT,(#40).....	-	1	-	-	-	QNG,QTG,QXG,VXG	

2

E-14-10

CARBURETOR(8)



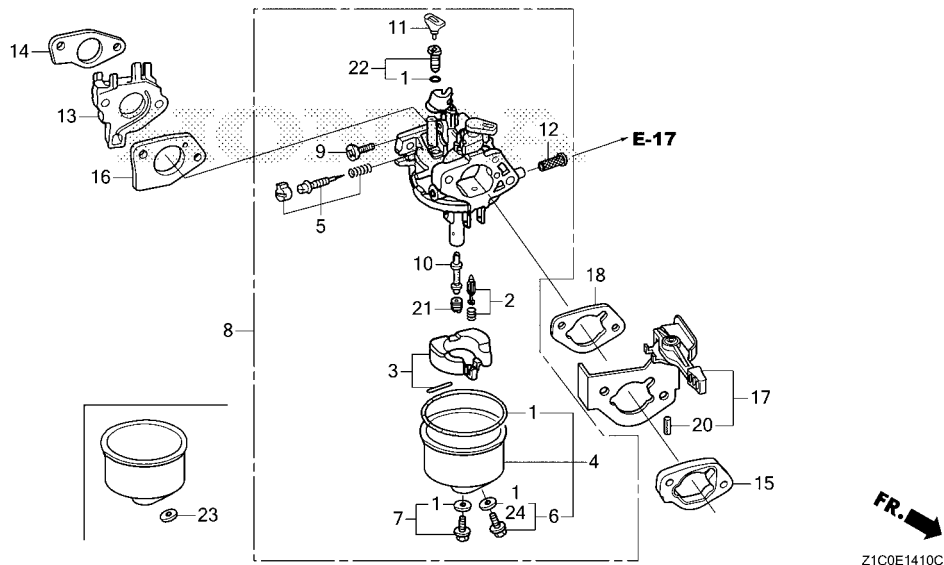
Ref. No.	L.O.N.	(Relative ref. Number) Description	F.R.T.
1	3111B1	GASKET SET, CARBURETOR	0.3
2	3111E1	FLOAT VALVE SET AND/OR FLOAT SET	0.3
5	3111D7	SCREW SET, PILOT	0.2
8	3111F3	CARBURETOR	0.2
12	3111T4	SCREEN, CARBURETOR FUEL STRAINER	0.2
13	3111C0	CARBURETOR INSULATOR AND/OR PACKING	0.2
15	3111D9	SPACER, CARBURETOR	0.2
16	3111C8	PACKING, CARBURETOR	0.2
17	3111A5	CONTROL, CARBURETOR CHOKE	0.2
18	3121D9	PACKING, AIR CLEANER	0.2
21	3111C3	JET, MAIN	0.3

Ref. No.	Part No.	Description	Reqd. QTY					Serial No.	Parts catalogue code
			GX 390 T1	GX 390 T2	GX 390 T2X	GX 390 UT2	GX 390 UT2X		
1	16010-ZF5-900	GASKET SET	-	1	-	-	-	VPXP,VPXP/A,VSEP,VXEH,VXH	
2	16011-ZA0-931	VALVE SET, FLOAT	-	1	-	-	-	VPXP,VPXP/A,VSEP,VXEH,VXH	
3	16013-Z1C-003	FLOAT SET	-	1	-	-	-	VPXP,VPXP/A,VSEP,VXEH,VXH	
4	16015-ZE8-005	CHAMBER SET, FLOAT	-	1	-	-	-	VPXP,VPXP/A,VSEP,VXEH,VXH	
5	16016-ZF6-D40	SCREW SET	-	1	-	-	-	VPXP,VSEP,VXEH,VXH	
	16016-ZH7-W01	SCREW SET, PILOT	-	1	-	-	-	VPXP/A	
6	16024-ZE1-811	SCREW SET, DRAIN	-	1	-	-	-	VPXP,VPXP/A,VSEP,VXEH,VXH	
7	16028-ZE0-005	SCREW SET	-	1	-	-	-	VPXP,VPXP/A,VSEP,VXEH,VXH	
8	16100-Z1C-E22	CARBURETOR ASSY.(BE95A A)	-	1	-	-	-	VPXP,VSEP,VXEH,VXH	
	16100-Z1C-EA1	CARBURETOR ASSY.(BE95L A)	-	1	-	-	-	VPXP/A	
9	16124-ZE0-005	SCREW, THROTTLE STOP	-	1	-	-	-	VPXP,VPXP/A,VSEP,VXEH,VXH	
10	16166-Z1C-E21	NOZZLE, MAIN	-	1	-	-	-	VPXP,VSEP,VXEH,VXH	
	16166-Z1C-EA1	-	1	-	-	-	VPXP/A	
11	16172-ZE3-W10	COLLAR, SETTING	-	1	-	-	-	VPXP,VPXP/A,VSEP,VXEH,VXH	
12	16176-Z2G-D51	SCREEN, FUEL STRAINER	-	1	-	-	-	VPXP,VPXP/A,VSEP,VXEH,VXH	
13	16211-Z5T-000	INSULATOR, CARBURETOR	-	1	-	-	-	VPXP,VPXP/A,VSEP,VXEH,VXH	
14	16212-Z5T-000	PACKING, CARBURETOR INSULATOR	-	1	-	-	-	VPXP,VPXP/A,VSEP,VXEH,VXH	
15	16220-ZA0-702	SPACER COMP., CARBURETOR	-	1	-	-	-	VPXP,VPXP/A,VSEP,VXEH,VXH	
16	16221-Z5T-000	PACKING, CARBURETOR	-	1	-	-	-	VPXP,VPXP/A,VSEP,VXEH,VXH	
17	16620-Z1C-000	BASE COMP., CHOKE	-	1	-	-	-	VPXP,VPXP/A,VSEP,VXEH,VXH	
18	17228-Z5T-000	PACKING, AIR CLEANER	-	1	-	-	-	VPXP,VPXP/A,VSEP,VXEH,VXH	
20	94305-20122	PIN, SPRING, 2X12	-	1	-	-	-	VPXP,VPXP/A,VSEP,VXEH,VXH	
21	99101-ZH8-1020	JET, MAIN, #102	-	(1)	-	-	-	VPXP,VPXP/A,VSEP,VXEH,VXH	
	99101-ZH8-0980	JET, MAIN, #98	-	(1)	-	-	-	VPXP,VSEP,VXEH,VXH	
	99101-ZH8-1050	JET, MAIN, #105	-	1	-	-	-	VPXP,VSEP,VXEH,VXH	



E-14-10

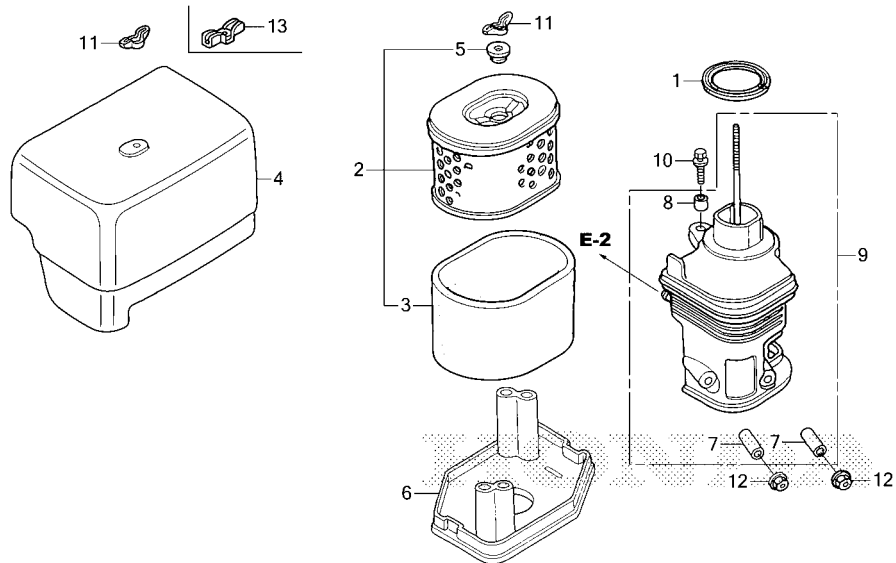
CARBURETOR(8)



Ref. No.	Part No.	Description	Reqd. QTY					Serial No.	Parts catalogue code
			GX 390 T1	GX 390 T2	GX 390 T2X	GX 390 UT2	GX 390 UT2X		
21)	99101-ZH8-1000	JET, MAIN, #100	-	(1)	-	-	-	VPXP/A	
	99101-ZH8-1080	JET, MAIN, #108	-	1	-	-	-	VPXP/A	
22	99204-ZA0-0400	JET SET, PILOT, #40	-	1	-	-	-	VPXP, VSEP, VXEH, VXH	
	99204-ZE0-0380	JET SET, PILOT, #38	-	1	-	-	-	VPXP/A	
23	16141-Z0S-003	WASHER, PLAIN(6.2X10.7 DRAIN)	-	(1)	-	-	-	VSEP, VXEH, VXH	
24	16141-Z0S-003	WASHER, PLAIN(6.2X10.7 DRAIN)	-	1	-	-	-	VPXP/A	

E-15

AIR CLEANER(1)



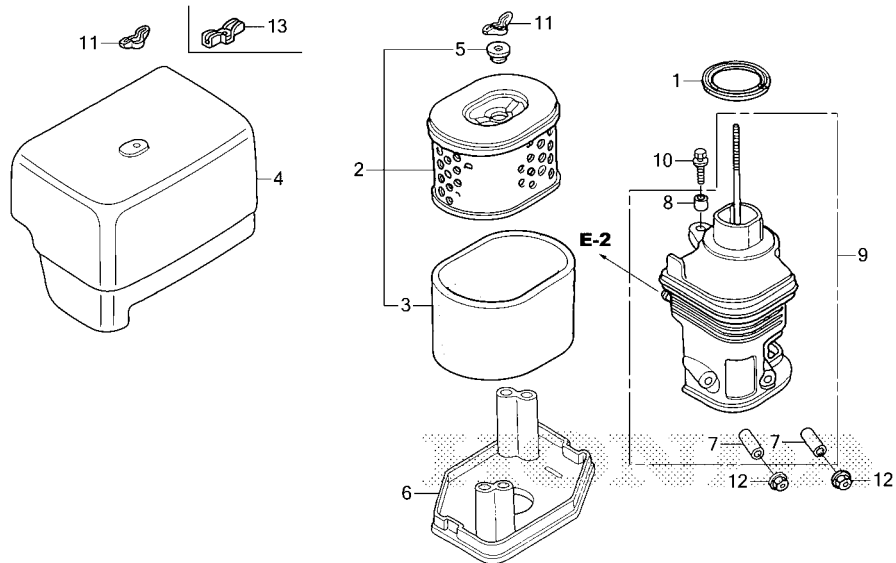
Ref. No.	L.O.N.	(Relative ref. Number) Description	F.R.T.
1	3121E1	PACKING, ELBOW	0.1
2	3121B8	ELEMENT, AIR CLEANER	0.1
		.INCLUDES: Air cleaner element -inspection	
3	3121C1	FILTER, OUTER	0.1
		.INCLUDES: Outer filter-inspection	
6	3121D6	NOSE, SILENCER	0.1
9	3121B4	ELBOW, AIR CLEANER	0.1

Ref. No.	Part No.	Description	Reqd. QTY					Serial No.	Parts catalogue code
			GX 390 T1	GX 390 T2	GX 390 T2X	GX 390 UT2	GX 390 UT2X		
1	16271-ZE2-010	PACKING, ELBOW	1	-	-	-	-	LH, LH2, LHB5, LHP1, LXE8, LXE9, LXU, PX, PXE8, PXU, QA2, QA26, QAA2, QAA6, QH, QHB3, QHB5, QHP1, QMH, QN, QX, QXE, QXE8, QXEK, QXK, QXQ4, QXU, SH, SHE, SN, SX, SXC, SXE, SXE8, SXQ4, VSP, VTE5, VX, VX8, VXE, VXE8, VXX, VXX2, VXU1	
2	17210-ZE3-010	ELEMENT, AIR CLEANER	1	-	-	-	-	LH, LH2, LHB5, LHP1, LXE8, LXE9, LXU, PX, PXE8, PXU, QA2, QA26, QAA2, QAA6, QH, QHB3, QHB5, QHP1, QMH, QN, QX, QXE, QXE8, QXEK, QXK, QXQ4, QXU, SH, SHE, SN, SX, SXC, SXE, SXE8, SXQ4, VSP, VTE5, VX, VX8, VXE, VXE8, VXX, VXX2, VXU1	
3	17218-ZE3-000	FILTER, OUTER	1	-	-	-	-	LH, LH2, LHB5, LHP1, LXE8, LXE9, LXU, PX, PXE8, PXU, QA2, QA26, QAA2, QAA6, QH, QHB3, QHB5, QHP1, QMH, QN, QX, QXE, QXE8, QXEK, QXK, QXQ4, QXU, SH, SHE, SN, SX, SXC, SXE, SXE8, SXQ4, VSP, VTE5, VX, VX8, VXE, VXE8, VXX, VXX2, VXU1	
4	17231-ZE3-W01	COVER, AIR CLEANER	1	-	-	-	-	LH, LH2, LHB5, LHP1, LXE8, LXE9, LXU, PX, PXE8, PXU, QA2, QA26, QAA2, QAA6, QH, QHB3, QHB5, QHP1, QMH, QN, QX, QXE, QXE8, QXEK, QXK, QXQ4, QXU, SH, SHE, SN, SX, SXC, SXE, SXE8, SXQ4, VSP, VTE5, VX, VX8, VXE, VXE8, VXX, VXX2, VXU1	
5	17232-891-000	GROMMET, AIR CLEANER	1	-	-	-	-	LH, LH2, LHB5, LHP1, LXE8, LXE9, LXU, PX, PXE8, PXU, QA2, QA26, QAA2, QAA6, QH, QHB3, QHB5, QHP1, QMH, QN, QX, QXE, QXE8, QXEK, QXK, QXQ4, QXU, SH, SHE, SN, SX, SXC, SXE, SXE8, SXQ4, VSP, VTE5, VX, VX8, VXE, VXE8, VXX, VXX2, VXU1	
6	17235-ZH9-N01	NOSE, SILENCER	1	-	-	-	-	LH2, LXE9, QN, QXEK, QXK, VSP, VXX, VXX2	
	17235-ZH9-N00	1	-	-	-	1248887	LH, LHB5, LHP1, LXE8, LXU, PX, PXE8, PXU, QA2, QA26, QAA2, QAA6, QH, QHB3, QHB5, QHP1, QMH, QN, QX, QXE, QXE8, QXQ4, QXU, SH, SHE, SN, SX, SXC, SXE, SXE8, SXQ4, VTE5, VX, VX8, VXE, VXE8, VXU1	
	17235-ZH9-N01	1	-	-	-	1248888	LH, LHB5, LHP1, LXE8, LXU, PX, PXE8, PXU, QA2, QA26, QAA2, QAA6, QH, QHB3, QHB5, QHP1, QMH, QN, QX, QXE, QXE8, QXQ4, QXU, SH, SHE, SN, SX, SXC, SXE, SXE8, SXQ4, VTE5, VX, VX8, VXE, VXE8, VXU1	



E-15

AIR CLEANER(1)



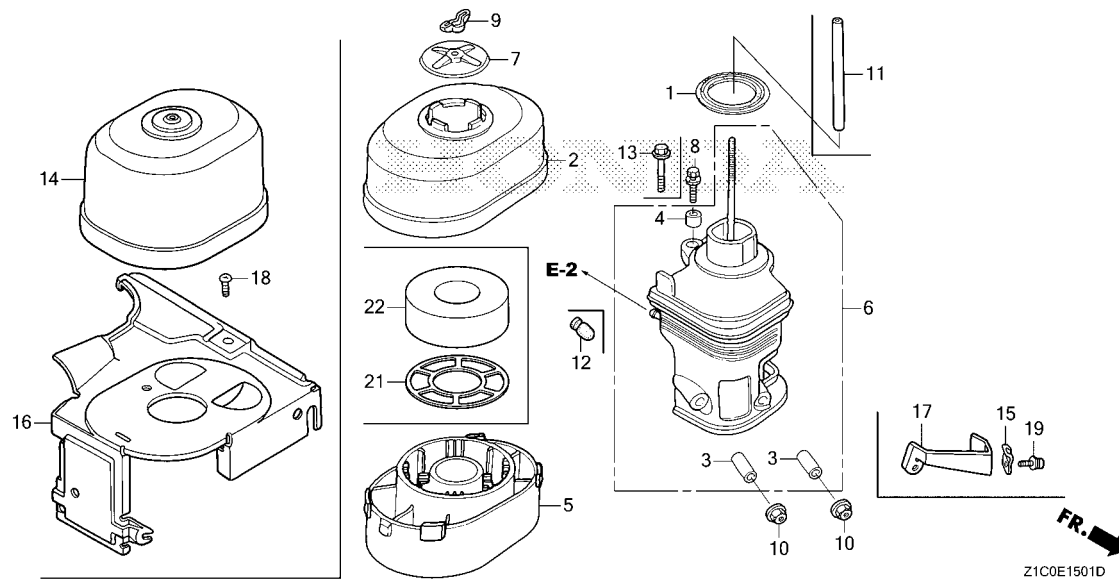
FR. →

Z1C0E1500B

Ref. No.	Part No.	Description	Reqd. QTY					Serial No.	Parts catalogue code
			GX 390 T1	GX 390 T2	GX 390 T2X	GX 390 UT2	GX 390 UT2X		
7	17238-ZE2-310	COLLAR, AIR CLEANER.....	2	-	-	-	-	LH, LH2, LHB5, LHP1, LXE8, LXE9, LXU, PX, PXE8, PXU, QA2, QA26, QAA2, QAA6, QH, QHB3, QHB5, QHP1, QMH, QN, QX, QXE, QXE8, QXEK, QXK, QXQ4, QXU, SH, SHE, SN, SX, SXC, SXE, SXE8, SXQ4, VSP, VTE5, VX, VX8, VXE, VXE8, VXX, VXX2, VXU1	
8	17239-ZE1-000	COLLAR B, AIR CLEANER.....	1	-	-	-	-	LH, LH2, LHB5, LHP1, LXE8, LXE9, LXU, PX, PXE8, PXU, QA2, QA26, QAA2, QAA6, QH, QHB3, QHB5, QHP1, QMH, QN, QX, QXE, QXE8, QXEK, QXK, QXQ4, QXU, SH, SHE, SN, SX, SXC, SXE, SXE8, SXQ4, VSP, VTE5, VX, VX8, VXE, VXE8, VXX, VXX2, VXU1	
9	17410-ZH9-N01	ELBOW COMP., AIR CLEANER.....	1	-	-	-	-	LH, LH2, LHB5, LHP1, LXE9, PX, QH, QHB3, QHB5, QHP1, QMH, QN, QX, QXE, QXEK, QXK, SH, SHE, SN, SX, SXC, SXE, VSP, VTE5, VX, VXE, VXX, VXX2, VXU1	
	17410-ZH9-N00	1	-	-	-	-	LXE8, LXU, PXE8, PXU, QA2, QA26, QAA2, QAA6, QXE8, QXQ4, QXU, SXE8, SXQ4, VX8, VXE8	
10	90009-Z1C-000	BOLT-WASHER, 6X22.....	1	-	-	-	-	LH, LH2, LHB5, LHP1, LXE8, LXE9, LXU, PX, PXE8, PXU, QA2, QA26, QAA2, QAA6, QH, QHB3, QHB5, QHP1, QMH, QN, QX, QXE, QXE8, QXEK, QXK, QXQ4, QXU, SH, SHE, SN, SX, SXC, SXE, SXE8, SXQ4, VSP, VTE5, VX, VX8, VXE, VXE8, VXX, VXX2, VXU1	
11	90325-044-000	NUT, TOOL BOX SETTING.....	2	-	-	-	-	LH, LH2, LHB5, LHP1, LXE8, LXE9, LXU, PX, PXE8, PXU, QH, QHB3, QHB5, QHP1, QMH, QN, QX, QXE, QXE8, QXEK, QXK, QXQ4, QXU, SH, SHE, SN, SX, SXC, SXE, SXE8, SXQ4, VSP, VTE5, VX, VX8, VXE, VXE8, VXX, VXX2, VXU1	
			1	-	-	-	-	QA2, QA26, QAA2, QAA6	
12	94050-06000	NUT, FLANGE, 6MM.....	2	-	-	-	-	LH, LH2, LHB5, LHP1, LXE8, LXE9, LXU, PX, PXE8, PXU, QA2, QA26, QAA2, QAA6, QH, QHB3, QHB5, QHP1, QMH, QN, QX, QXE, QXE8, QXEK, QXK, QXQ4, QXU, SH, SHE, SN, SX, SXC, SXE, SXE8, SXQ4, VSP, VTE5, VX, VX8, VXE, VXE8, VXX, VXX2, VXU1	
13	90203-ZA0-800	NUT, WING, 6MM(BLACK).....	1	-	-	-	-	QA2, QA26, QAA2, QAA6	

E-15-1

AIR CLEANER(2)



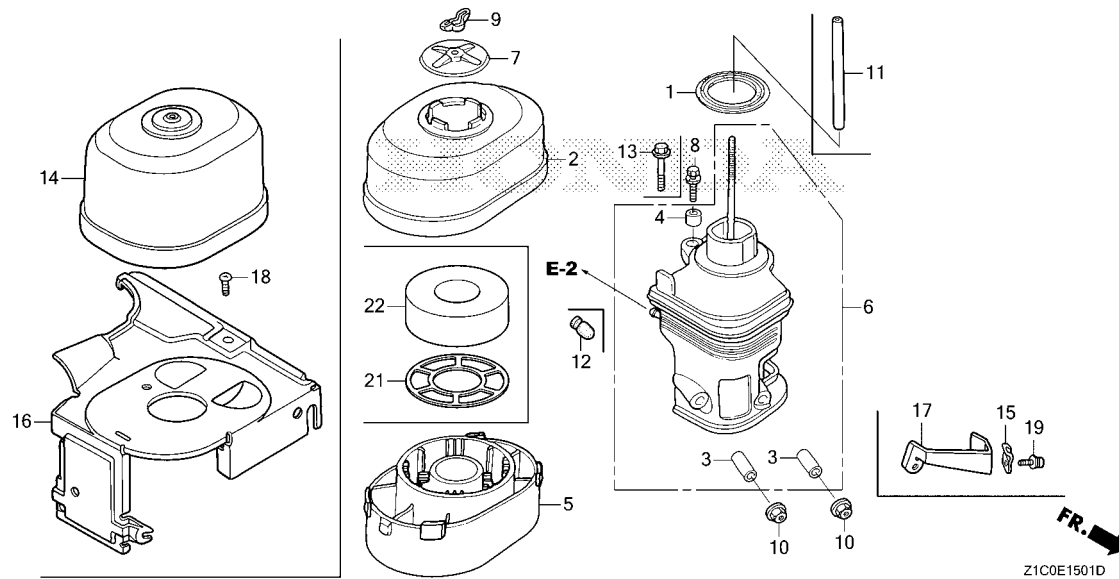
Ref. No.	L.O.N.	(Relative ref. Number) Description	F.R.T.
1	3121E1	PACKING, ELBOW	0.1
5	3121E5	PAN, AIR CLEANER OIL	0.1
6	3121B4	ELBOW, AIR CLEANER	0.1
16	4141J6	COVER, AIR CLEANER CONTROL ...	0.1
22	3121B8	ELEMENT, AIR CLEANER	0.1
.INCLUDES: Air cleaner element -inspection			

Ref. No.	Part No.	Description	Reqd. QTY					Serial No.	Parts catalogue code
			GX 390 T1	GX 390 T2	GX 390 T2X	GX 390 UT2	GX 390 UT2X		
1	16271-ZE2-010	PACKING, ELBOW	1	1	-	-	-	LT, LTK1, QBE1, QBE1/A, QHB1, QHB1/A, QP, QT, QTD, QTN, SWE, SWE2, SWSC, SWX, SWX2	
2	17230-ZE3-811	COVER COMP., AIR CLEANER (OIL BATH)	1	-	-	-	-	LT, QBE1, QHB1, QP, QT, QTD, QTN, SWE, SWE2, SWX, SWX2	
	17231-Z1C-900	COVER, AIR CLEANER(OIL BATH) ·	-	1	-	-	-	QBE1, QBE1/A, QHB1, QHB1/A	
	17230-ZE3-811	COVER COMP., AIR CLEANER (OIL BATH)	-	1	-	-	-	SWSC	
	17231-Z1C-900	COVER, AIR CLEANER(OIL BATH) ·	-	1	-	-	1461009	LTK1, QP, QTD, QTN, SWE2, SWX, SWX2	
3	17238-ZE2-310	COLLAR, AIR CLEANER	2	2	-	-	-	LT, LTK1, LWD1, QBE1, QBE1/A, QHB1, QHB1/A, QP, QT, QTD, QTN, SWE, SWE2, SWSC, SWX, SWX2	
4	17239-ZE1-000	COLLAR B, AIR CLEANER	1	1	-	-	-	LT, LTK1, LWD1, QBE1, QBE1/A, QHB1, QHB1/A, QP, QT, QTD, QTN, SWE, SWE2, SWSC, SWX, SWX2	
5	17402-ZE3-810	PAN, CLEANER OIL(OIL BATH) ···	1	1	-	-	-	LT, LTK1, QBE1, QBE1/A, QHB1, QHB1/A, QP, QT, QTD, QTN, SWE, SWE2, SWSC, SWX, SWX2	
6	17410-ZE3-020	ELBOW COMP., AIR CLEANER	1	1	-	-	-	LT, LTK1, LWD1, QBE1, QBE1/A, QHB1, QHB1/A, QP, QT, QTD, QTN, SWE, SWE2, SWSC, SWX, SWX2	
7	17420-ZE3-810	CAP COMP., AIR CLEANER	1	1	-	-	-	LT, LTK1, QBE1, QBE1/A, QHB1, QHB1/A, QP, QT, QTD, QTN, SWE, SWE2, SWSC, SWX, SWX2	
8	90009-Z1C-000	BOLT-WASHER, 6X22	1	1	-	-	-	LT, LTK1, QBE1, QBE1/A, QHB1, QHB1/A, QP, QT, QTD, QTN, SWE, SWE2, SWSC, SWX, SWX2	
9	90325-044-000	NUT, TOOL BOX SETTING	1	1	-	-	-	LT, LTK1, LWD1, QBE1, QBE1/A, QHB1, QHB1/A, QP, QT, QTD, QTN, SWE, SWE2, SWSC, SWX, SWX2	
10	94050-06000	NUT, FLANGE, 6MM	2	2	-	-	-	LT, LTK1, LWD1, QBE1, QBE1/A, QHB1, QHB1/A, QP, QT, QTD, QTN, SWE, SWE2, SWSC, SWX, SWX2	
11	17238-ZE3-H00	COLLAR, AIR CLEANER	-	1	-	-	-	LWD1	
12	90899-422-610	PLUG, CONE TYPE	-	1	-	-	-	LWD1	



E-15-1

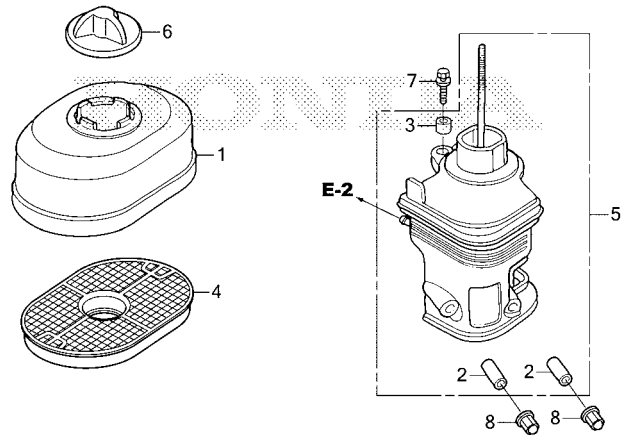
AIR CLEANER(2)



Ref. No.	Part No.	Description	Reqd. QTY					Serial No.	Parts catalogue code
			GX 390 T1	GX 390 T2	GX 390 T2X	GX 390 UT2	GX 390 UT2X		
13	95701-06035-08	BOLT, FLANGE, 6X35	-	1	-	-	-	LWD1	
14	17230-ZE3-000	COVER, AIR CLEANER(STD.)	-	1	-	-	-	LWD1	
15	16582-883-300	HOLDER, CONTROL CABLE	-	1	-	-	-	LWD1	
16	16591-ZF6-H00	COVER, CONTROL	-	1	-	-	-	LWD1	
17	16597-ZE2-780	STAY COMP., WIRE HOLDER	-	1	-	-	-	LWD1	
18	93500-06008-0G	SCREW, PAN, 6X8	-	1	-	-	-	LWD1	
19	93892-05016-00	SCREW-WASHER, 5X16	-	1	-	-	-	LWD1	
21	17212-Z1C-900	GRID, AIR CLEANER	-	1	-	-	-	SWSC	
22	17403-Z1C-900	ELEMENT, AIR CLEANER(OIL BATH)	-	1	-	-	1461010	LTK1, QP, QTD, QTN, SWE2, SWX, SWX2	
			-	1	-	-	1461010	SWSC LTK1, QP, QTD, QTN, SWE2, SWX, SWX2	

E-15-2

AIR CLEANER(3)



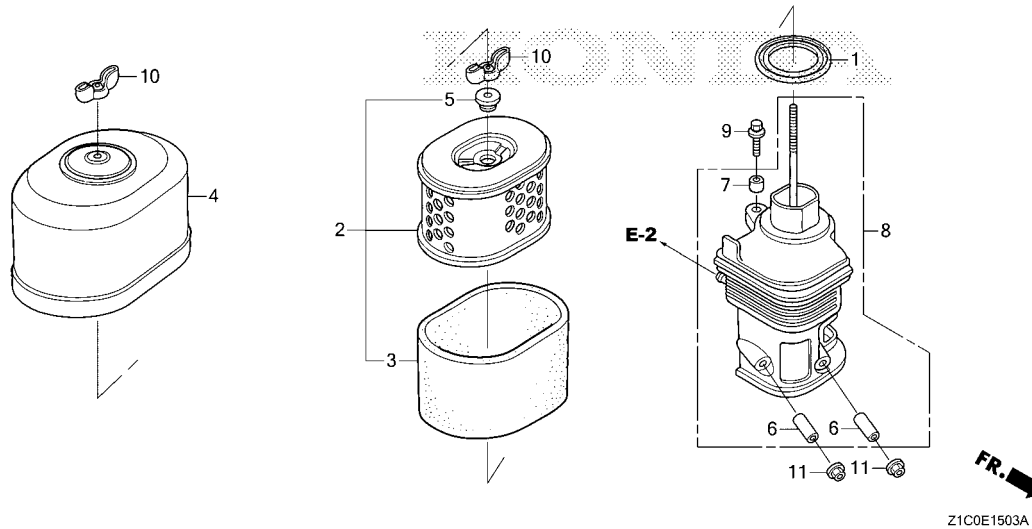
Ref. No.	L.O.N.	(Relative ref. Number) Description	F.R.T.
4	3121Q5	GRID, AIR CLEANER	0.1
5	3121B4	ELBOW, AIR CLEANER	0.1

Ref. No.	Part No.	Description	Reqd. QTY					Serial No.	Parts catalogue code
			GX 390 T1	GX 390 T2	GX 390 T2X	GX 390 UT2	GX 390 UT2X		
1	17231-ZE2-000	COVER, AIR CLEANER(SEMI DRY)·	1	1	-	-	-	LBD, LBH, LBHB, LBHS, LBP, QBD, QBH, QBHS, QBHZ, QBL, QBL S, QBP, QBS QBS1, QBT	
2	17238-ZE2-310	COLLAR, AIR CLEANER.....	2	2	-	-	-	LBD, LBH, LBHB, LBHS, LBP, QBD, QBH, QBHS, QBHZ, QBL, QBL S, QBP, QBS QBS1, QBT	
3	17239-ZE1-000	COLLAR B, AIR CLEANER.....	1	1	-	-	-	LBD, LBH, LBHB, LBHS, LBP, QBD, QBH, QBHS, QBHZ, QBL, QBL S, QBP, QBS QBS1, QBT	
4	17250-Z1C-810	GRID, AIR CLEANER.....	1	1	-	-	-	LBD, LBH, LBHB, LBHS, LBP, QBD, QBH, QBHS, QBHZ, QBL, QBL S, QBP, QBS QBS1, QBT	
5	17410-ZE2-030	ELBOW COMP., AIR CLEANER.....	1	1	-	-	-	LBD, LBH, LBHB, LBHS, LBP, QBD, QBH, QBHS, QBHZ, QBL, QBL S, QBP, QBS QBS1, QBT	
6	17420-Z0T-800	CAP COMP., AIR CLEANER.....	1	1	-	-	-	LBD, LBH, LBHB, LBHS, LBP, QBD, QBH, QBHS, QBHZ, QBL, QBL S, QBP, QBS QBS1, QBT	
7	90001-Z0V-800	BOLT, FLANGE, 6X18.....	1	1	-	-	-	LBD, LBH, LBHB, LBHS, LBP, QBD, QBH, QBHS, QBHZ, QBL, QBL S, QBP, QBS QBS1, QBT	
8	90304-438-000	NUT, CAP, 6MM.....	2	2	-	-	-	LBD, LBH, LBHB, LBHS, LBP, QBD, QBH, QBHS, QBHZ, QBL, QBL S, QBP, QBS QBS1, QBT	



E-15-3

AIR CLEANER(4)

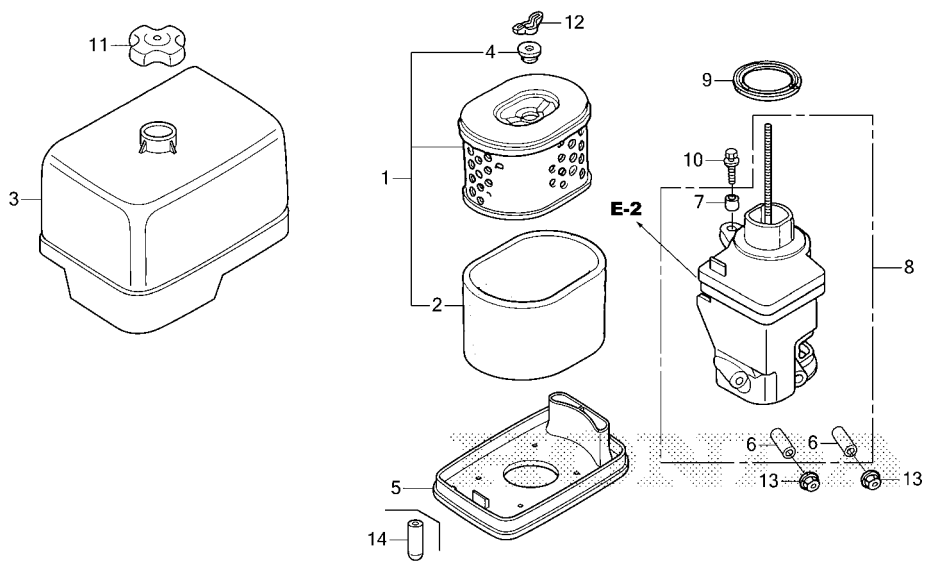


Ref. No.	L.O.N.	(Relative ref. Number) Description	F.R.T.
1	3121E1	PACKING, ELBOW	0.1
2	3121B8	ELEMENT, AIR CLEANER	0.1
3	3121C1	FILTER, OUTER	0.1
8	3121B4	ELBOW, AIR CLEANER	0.1

Ref. No.	Part No.	Description	Reqd. QTY					Serial No.	Parts catalogue code
			GX 390 T1	GX 390 T2	GX 390 T2X	GX 390 UT2	GX 390 UT2X		
1	16271-ZE2-010	PACKING, ELBOW	1	-	-	-	-	----- QAPW	
2	17210-ZE3-010	ELEMENT, AIR CLEANER	1	-	-	-	-	----- QAPW	
3	17218-ZE3-000	FILTER, OUTER	1	-	-	-	-	----- QAPW	
4	17230-ZE3-000	COVER, AIR CLEANER(STD.)	1	-	-	-	-	----- QAPW	
5	17232-891-000	GROMMET, AIR CLEANER	1	-	-	-	-	----- QAPW	
6	17238-ZE2-310	COLLAR, AIR CLEANER	2	-	-	-	-	----- QAPW	
7	17239-ZE1-000	COLLAR B, AIR CLEANER	1	-	-	-	-	----- QAPW	
8	17410-ZE3-010	ELBOW COMP., AIR CLEANER	1	-	-	-	-	----- QAPW	
9	90009-Z1C-000	BOLT-WASHER, 6X22	1	-	-	-	-	----- QAPW	
10	90325-044-000	NUT, TOOL BOX SETTING	2	-	-	-	-	----- QAPW	
11	94050-06000	NUT, FLANGE, 6MM	2	-	-	-	-	----- QAPW	

E-15-4

AIR CLEANER(5)



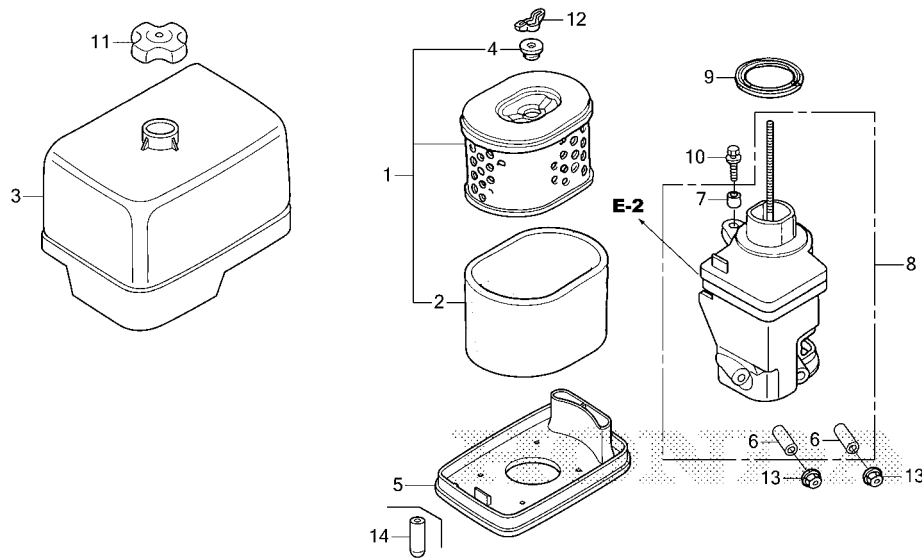
Ref. No.	L.O.N.	(Relative ref. Number) Description	F.R.T.
1	3121B8	ELEMENT, AIR CLEANERINCLUDES: Air cleaner element -inspection	0.1
2	3121C1	FILTER, OUTERINCLUDES: Outer filter-inspection	0.1
8	3121B4	ELBOW, AIR CLEANER	0.1
9	3121R3	PACKING, AIR CLEANER CASE	0.1

Ref. No.	Part No.	Description	Reqd. QTY					Serial No.	Parts catalogue code
			GX 390 T1	GX 390 T2	GX 390 T2X	GX 390 UT2	GX 390 UT2X		
1	17210-ZE3-010	ELEMENT, AIR CLEANER.....	-	1	1	1	1	-----	LEAJ, LH, LH2, LHB5, LHP1, LWP1, LXE5, LXE9, LXQ5, PKT5, PX, PXE5, PXU5, QA25, QAA5, QAPW, QAPW/A, QH, QHB2, QHB2/A, QHB3, QHB5, QHP1, QHT, QHT1, QHTN, QK45, QKA5, QMAH, QMAH/A, QMH, QN, QNG, QNR5, QPW, QTE, QTG, QX, QX5, QXA5, QXB5, QXE, QXE5, QXEK, QXG, QXK, QXQ5, QXU5, SH, SHMV, SJG, SM11, SME5, SMEJ, SMTP, SWA5, SWD4, SX, SX5, SXC, SXE5, SXK, SXX1, SXQ5, VSD5, VSP, VSP/A, VTE5, VWT5, VX, VXB5, VXE, VXG, VXX, VXU1
	17210-Z5T-W00	ELEMENT COMP., AIR CLEANER...	-	1	-	-	-	-----	QZSD, SZSK, VZKK, VZX
2	17218-ZE3-000	FILTER, OUTER.....	-	1	1	1	1	-----	LEAJ, LH, LH2, LHB5, LHP1, LWP1, LXE5, LXE9, LXQ5, PKT5, PX, PXE5, PXU5, QA25, QAA5, QAPW, QAPW/A, QH, QHB2, QHB2/A, QHB3, QHB5, QHP1, QHT, QHT1, QHTN, QK45, QKA5, QMAH, QMAH/A, QMH, QN, QNG, QNR5, QPW, QTE, QTG, QX, QX5, QXA5, QXB5, QXE, QXE5, QXEK, QXG, QXK, QXQ5, QXU5, QZSD, SH, SHMV, SJG, SM11, SME5, SMEJ, SMTP, SWA5, SWD4, SX, SX5, SXC, SXE5, SXK, SXX1, SXQ5, SZSK, VSD5, VSP, VSP/A, VTE5, VWT5, VX, VXB5, VXE, VXG, VXX, VXU1, VZKK, VZX
3	17231-Z5T-000	COVER, AIR CLEANER CASE.....	-	1	1	1	1	-----	LEAJ, LH, LH2, LHB5, LHP1, LWP1, LXE5, LXE9, LXQ5, PKT5, PX, PXE5, PXU5, QA25, QAA5, QAPW, QAPW/A, QH, QHB2, QHB2/A, QHB3, QHB5, QHP1, QHT, QHT1, QHTN, QK45, QKA5, QMAH, QMAH/A, QMH, QN, QNG, QNR5, QPW, QTE, QTG, QX, QX5, QXA5, QXB5, QXE, QXE5, QXEK, QXG, QXK, QXQ5, QXU5, QZSD, SH, SHMV, SJG, SM11, SME5, SMEJ, SMTP, SWA5, SWD4, SX, SX5, SXC, SXE5, SXK, SXX1, SXQ5, SZSK, VSD5, VSP, VSP/A, VTE5, VWT5, VX, VXB5, VXE, VXG, VXX, VXU1, VZKK, VZX
4	17232-891-000	GROMMET, AIR CLEANER.....	-	1	1	1	1	-----	LEAJ, LH, LH2, LHB5, LHP1, LWP1, LXE5, LXE9, LXQ5, PKT5, PX, PXE5, PXU5, QA25, QAA5, QAPW, QAPW/A, QH, QHB2, QHB2/A, QHB3, QHB5, QHP1, QHT, QHT1, QHTN, QK45, QKA5, QMAH, QMAH/A, QMH, QN, QNG, QNR5, QPW, QTE, QTG, QX, QX5, QXA5, QXB5, QXE, QXE5, QXEK, QXG, QXK, QXQ5, QXU5, QZSD, SH, SHMV, SJG, SM11, SME5, SMEJ, SMTP, SWA5, SWD4, SX, SX5, SXC, SXE5, SXK, SXX1, SXQ5, SZSK, VSD5, VSP, VSP/A, VTE5, VWT5, VX, VXB5, VXE, VXG, VXX, VXU1, VZKK, VZX



E-15-4

AIR CLEANER(5)



Z1C0E1504B

Ref. No.	Part No.	Description	Reqd. QTY					Serial No.	Parts catalogue code
			GX 390 T1	GX 390 T2	GX 390 T2X	GX 390 UT2	GX 390 UT2X		
5	17235-Z5T-000	NOSE, SILENCER	-	1	1	1	1	-----	LEAJ, LH, LH2, LHB5, LHP1, LWP1, LXE5, LXE9, LXQ5, PKT5, PX, PXE5, PXU5, QA25, QAA5, QAPW, QAPW/A, QH, QHB2, QHB2/A, QHB3, QHB5, QHP1, QHT, QHT1, QHTN, QK45, QKA5, QMAH, QMAH/A, QMH, QN, QNG, QNR5, QTE, QTG, QX, QX5, QXA5, QXB5, QXE, QXE5, QXEK, QXG, QXK, QXQ5, QXU5, QZSD, SH, SHMV, SJG, SM11, SME5, SMEJ, SMTP, SWA5, SWD4, SX, SX5, SXC, SXE5, SXX, SXX1, SXQ5, SZSK, VSD5, VSP, VSP/A, VTE5, VX, VXB5, VXE, VXG, VXX, VXU1, VZKK, VZX
	17235-Z1C-790	-	1	-	-	-	-----	QPW
	17235-Z5T-800	-	1	-	-	-	-----	VWT5
6	17238-ZE2-310	COLLAR, AIR CLEANER	-	2	2	2	2	-----	LEAJ, LH, LH2, LHB5, LHP1, LWP1, LXE5, LXE9, LXQ5, PKT5, PX, PXE5, PXU5, QA25, QAA5, QAPW, QAPW/A, QH, QHB2, QHB2/A, QHB3, QHB5, QHP1, QHT, QHT1, QHTN, QK45, QKA5, QMAH, QMAH/A, QMH, QN, QNG, QNR5, QPW, QTE, QTG, QX, QX5, QXA5, QXB5, QXE, QXE5, QXEK, QXG, QXK, QXQ5, QXU5, QZSD, SH, SHMV, SJG, SM11, SME5, SMEJ, SMTP, SWA5, SWD4, SX, SX5, SXC, SXE5, SXX, SXX1, SXQ5, SZSK, VSD5, VSP, VSP/A, VTE5, VWT5, VX, VXB5, VXE, VXG, VXX, VXU1, VZKK, VZX
7	17239-ZE1-000	COLLAR B, AIR CLEANER	-	1	1	1	1	-----	LEAJ, LH, LH2, LHB5, LHP1, LWP1, LXE5, LXE9, LXQ5, PKT5, PX, PXE5, PXU5, QA25, QAA5, QAPW, QAPW/A, QH, QHB2, QHB2/A, QHB3, QHB5, QHP1, QHT, QHT1, QHTN, QK45, QKA5, QMAH, QMAH/A, QMH, QN, QNG, QNR5, QPW, QTE, QTG, QX, QX5, QXA5, QXB5, QXE, QXE5, QXEK, QXG, QXK, QXQ5, QXU5, QZSD, SH, SHMV, SJG, SM11, SME5, SMEJ, SMTP, SWA5, SWD4, SX, SX5, SXC, SXE5, SXX, SXX1, SXQ5, SZSK, VSD5, VSP, VSP/A, VTE5, VWT5, VX, VXB5, VXE, VXG, VXX, VXU1, VZKK, VZX

E-15-4

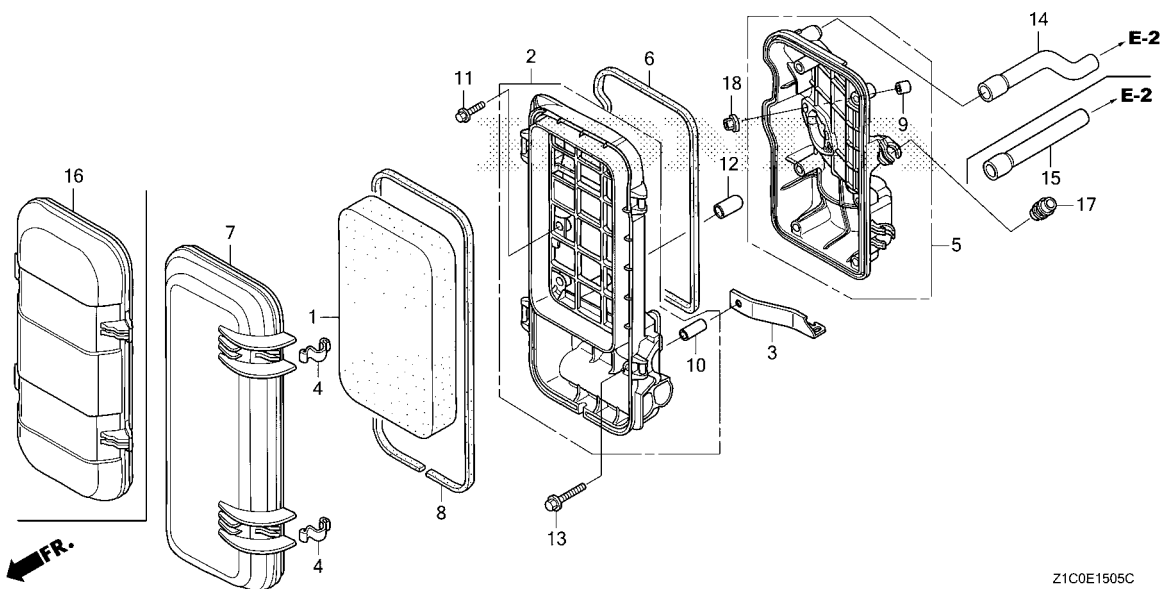
AIR CLEANER(5)

Ref. No.	Part No.	Description	Reqd. QTY					Serial No.	Parts catalogue code
			GX 390 T1	GX 390 T2	GX 390 T2X	GX 390 UT2	GX 390 UT2X		
8	17410-Z5T-020	ELBOW COMP., AIR CLEANER.....	-	1	1	1	1	-----	LEAJ, LH, LH2, LHB5, LHP1, LWP1, LXE5, LXE9, LXQ5, PKT5, PX, PXE5, PXU5, QA25, QAA5, QAPW, QAPW/A, QH, QHB2, QHB2/A, QHB3, QHB5, QHP1, QHT, QHT1, QHTN, QK45, QKA5, QMAH, QMAH/A, QMH, QN, QNG, QNR5, QPW, QTE, QTG, QX, QX5, QXA5, QXB5, QXE, QXE5, QXEK, QXG, QXK, QXQ5, QXU5, SH, SHMV, SJG, SM11, SME5, SMEJ, SMTP, SWA5, SWD4, SX, SX5, SXC, SXE5, SXK, SXX1, SXQ5, VSD5, VSP, VSP/A, VTE5, VWT5, VX, VXB5, VXE, VXG, VXX, VXU1
	17410-Z5T-W00	-	1	-	-	-	-----	QZSD, SZSK, VZKK, VZX
9	17417-Z5T-000	PACKING, AIR CLEANER CASE	-	1	1	1	1	-----	LEAJ, LH, LH2, LHB5, LHP1, LWP1, LXE5, LXE9, LXQ5, PKT5, PX, PXE5, PXU5, QA25, QAA5, QAPW, QAPW/A, QH, QHB2, QHB2/A, QHB3, QHB5, QHP1, QHT, QHT1, QHTN, QK45, QKA5, QMAH, QMAH/A, QMH, QN, QNG, QNR5, QPW, QTE, QTG, QX, QX5, QXA5, QXB5, QXE, QXE5, QXEK, QXG, QXK, QXQ5, QXU5, QZSD, SH, SHMV, SJG, SM11, SME5, SMEJ, SMTP, SWA5, SWD4, SX, SX5, SXC, SXE5, SXK, SXX1, SXQ5, SZSK, VSD5, VSP, VSP/A, VTE5, VWT5, VX, VXB5, VXE, VXG, VXX, VXU1, VZKK, VZX
10	90009-Z1C-000	BOLT-WASHER, 6X22	-	1	1	1	1	-----	LEAJ, LH, LH2, LHB5, LHP1, LWP1, LXE5, LXE9, LXQ5, PKT5, PX, PXE5, PXU5, QA25, QAA5, QAPW, QAPW/A, QH, QHB2, QHB2/A, QHB3, QHB5, QHP1, QHT, QHT1, QHTN, QK45, QKA5, QMAH, QMAH/A, QMH, QN, QNG, QNR5, QPW, QTE, QTG, QX, QX5, QXA5, QXB5, QXE, QXE5, QXEK, QXG, QXK, QXQ5, QXU5, SH, SHMV, SJG, SM11, SME5, SMEJ, SMTP, SWA5, SWD4, SX, SX5, SXC, SXE5, SXK, SXX1, SXQ5, VSD5, VSP, VSP/A, VTE5, VWT5, VX, VXB5, VXE, VXG, VXX, VXU1
	90009-Z5T-W00	BOLT-WASHER, 6X18	-	1	-	-	-	-----	QZSD, SZSK, VZKK, VZX
11	90202-Z2E-000	NUT, AIR CLEANER COVER	-	1	1	1	1	-----	LEAJ, LH, LH2, LHB5, LHP1, LWP1, LXE5, LXE9, LXQ5, PKT5, PX, PXE5, PXU5, QA25, QAA5, QAPW, QAPW/A, QH, QHB2, QHB2/A, QHB3, QHB5, QHP1, QHT, QHT1, QHTN, QK45, QKA5, QMAH, QMAH/A, QMH, QN, QNG, QNR5, QPW, QTE, QTG, QX, QX5, QXA5, QXB5, QXE, QXE5, QXEK, QXG, QXK, QXQ5, QXU5, QZSD, SH, SHMV, SJG, SM11, SME5, SMEJ, SMTP, SWA5, SWD4, SX, SX5, SXC, SXE5, SXK, SXX1, SXQ5, SZSK, VSD5, VSP, VSP/A, VTE5, VWT5, VX, VXB5, VXE, VXG, VXX, VXU1, VZKK, VZX
12	90325-044-000	NUT, TOOL BOX SETTING	-	1	1	1	1	-----	LEAJ, LH, LH2, LHB5, LHP1, LWP1, LXE5, LXE9, LXQ5, PKT5, PX, PXE5, PXU5, QA25, QAA5, QAPW, QAPW/A, QH, QHB2, QHB2/A, QHB3, QHB5, QHP1, QHT, QHT1, QHTN, QK45, QKA5, QMAH, QMAH/A, QMH, QN, QNG, QNR5, QPW, QTE, QTG, QX, QX5, QXA5, QXB5, QXE, QXE5, QXEK, QXG, QXK, QXQ5, QXU5, QZSD, SH, SHMV, SJG, SM11, SME5, SMEJ, SMTP, SWA5, SWD4, SX, SX5, SXC, SXE5, SXK, SXX1, SXQ5, SZSK, VSD5, VSP, VSP/A, VTE5, VWT5, VX, VXB5, VXE, VXG, VXX, VXU1, VZKK, VZX
13	94050-06000	NUT, FLANGE, 6MM	-	2	2	2	2	-----	LEAJ, LH, LH2, LHB5, LHP1, LWP1, LXE5, LXE9, LXQ5, PKT5, PX, PXE5, PXU5, QA25, QAA5, QAPW, QAPW/A, QH, QHB2, QHB2/A, QHB3, QHB5, QHP1, QHT, QHT1, QHTN, QK45, QKA5, QMAH, QMAH/A, QMH, QN, QNG, QNR5, QPW, QTE, QTG, QX, QX5, QXA5, QXB5, QXE, QXE5, QXEK, QXG, QXK, QXQ5, QXU5, QZSD, SH, SHMV, SJG, SM11, SME5, SMEJ, SMTP, SWA5, SWD4, SX, SX5, SXC, SXE5, SXK, SXX1, SXQ5, SZSK, VSD5, VSP, VSP/A, VTE5, VWT5, VX, VXB5, VXE, VXG, VXX, VXU1, VZKK, VZX
14	90634-ZL8-H00	CAP, SEALING	-	1	-	-	-	-----	VWT5



E-15-5

AIR CLEANER(6)



Ref. No.	L.O.N.	(Relative ref. Number) Description	F.R.T.
1	3121B8	ELEMENT, AIR CLEANERINCLUDES: Air cleaner element -inspection	0.1
2	3121A5	CASE, AIR CLEANER	0.2
5	3121Q0	BASE, AIR CLEANER	0.2
6	3121R4	SEAL, AIR CLEANER CASE(A)	0.2
8	3121E9	SEAL, AIR CLEANER COVER	0.1
14	1111T5	(15) TUBE, BREATHER(A)	0.2

Ref. No.	Part No.	Description	Reqd. QTY					Serial No.	Parts catalogue code
			GX 390 T1	GX 390 T2	GX 390 T2X	GX 390 UT2	GX 390 UT2X		
1	17211-899-000	ELEMENT, AIR CLEANER.....	-	1	-	1	1	-----	EDS1, EDS5, EDT1, EDT5, ES2, ES5, EWS1, EWS3, EWS4, EWS5, LFU, VEP5, VMQ3, VMT, VMT2, VMT3, VPX5, VPXP, VPXP/A, VS15, VS3, VS4, VS5, VSB3, VSB4, VSEP, VWC5, VWE5, VXEH, VXH
	17211-ZBH-W00	-	1	-	-	-	-----	EZD5, EZDS, EZS4, EZS5, QZSL, VZS5, VZS6
2	17220-Z23-S30	CASE COMP., AIR CLEANER.....	-	1	-	1	1	-----	EDS1, EDS5, EDT1, EDT5, ES2, ES5, EWS1, EWS3, EWS4, EWS5, LFU, VEP5, VMQ3, VMT, VMT2, VMT3, VPX5, VPXP, VPXP/A, VS15, VS3, VS4, VS5, VSB3, VSB4, VSEP, VWC5, VWE5, VXEH, VXH
	17220-ZBH-W00	-	1	-	-	-	-----	EZD5, EZDS, EZS4, EZS5, QZSL, VZS5, VZS6
3	17222-Z23-H60	STAY, AIR CLEANER	-	1	-	-	-	-----	EDS1, EDS5, EDT1, EDT5, ES2, ES5, EWS1, EWS3, EWS4, EWS5, VEP5, VMQ3, VMT, VMT2, VMT3, VPX5, VPXP, VPXP/A, VS15, VS3, VS4, VS5, VSB3, VSB4, VSEP, VWC5, VWE5, VXEH, VXH
	17222-Z23-F10	STAY COMP., AIR CLEANER.....	-	1	-	-	-	-----	EZD5, EZDS, EZS4, EZS5, QZSL, VZS5, VZS6
4	17223-Z23-000	SPRING, AIR CLEANER CASE LID.	-	2	-	2	2	-----	EDS1, EDS5, EDT1, EDT5, ES2, ES5, EWS1, EWS3, EWS4, EWS5, EZD5, EZDS, EZS4, EZS5, LFU, QZSL, VEP5, VMQ3, VMT, VMT2, VMT3, VPX5, VPXP, VPXP/A, VS15, VS3, VS4, VS5, VSB3, VSB4, VSEP, VWC5, VWE5, VXEH, VXH, VZS5, VZS6
5	17223-ZBH-000	BASE COMP., AIR CLEANER.....	-	1	-	1	1	-----	EDS5, EDT5, LFU, VEP5, VPX5, VPXP, VPXP/A, VS15, VSEP, VWC5, VWE5, VXEH, VXH
	17223-ZBH-W01	-	1	-	-	-	-----	EZD5
	17223-Z23-S30	-	1	-	-	-	1434006	EDS1, EDT1, ES2, ES5, EWS1, EWS3, EWS4, EWS5, VMQ3, VMT, VMT2, VMT3, VS3, VS4, VS5, VS6, VSB3, VSB4
	17223-ZBH-W00	-	1	-	-	-	1492878	EZDS, EZS4, EZS5, QZSL, VZS5, VZS6
	17223-ZBH-000	-	1	-	-	-	1434007	EDS1, EDT1, ES2, ES5, EWS1, EWS3, EWS4, EWS5, VMQ3, VMT, VMT2, VMT3, VS3, VS4, VS5, VS6, VSB3, VSB4
	17223-ZBH-W01	-	1	-	-	-	1492879	EZDS, EZS4, EZS5, QZSL, VZS5, VZS6
6	17229-Z23-H60	SEAL, AIR CLEANER CASE.....	-	1	-	1	1	-----	EDS1, EDS5, EDT1, EDT5, ES2, ES5, EWS1, EWS3, EWS4, EWS5, LFU, VEP5, VMQ3, VMT, VMT2, VMT3, VPX5, VPXP, VPXP/A, VS15, VS3, VS4, VS5, VSB3, VSB4, VSEP, VWC5, VWE5, VXEH, VXH

E-15-5

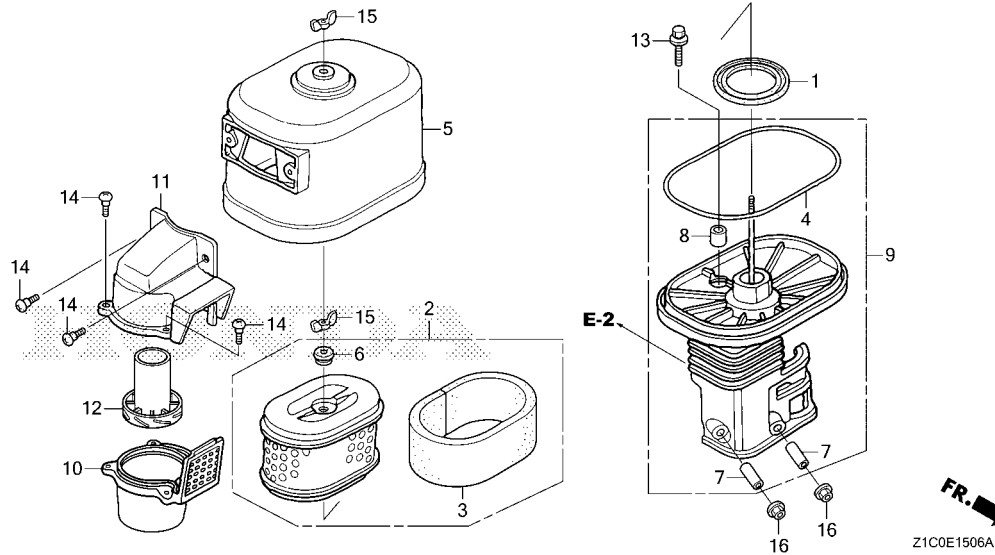
AIR CLEANER(6)

Ref. No.	Part No.	Description	Reqd. QTY					Serial No.	Parts catalogue code
			GX 390 T1	GX 390 T2	GX 390 T2X	GX 390 UT2	GX 390 UT2X		
(6)	17229-ZBH-W00	SEAL, AIR CLEANER CASE	-	1	-	-	-	EZD5, EZDS, EZS4, EZS5, QZSL, VZS5, VZS6	
7	17231-ZBH-000	COVER, AIR CLEANER	-	1	-	1	1	EDS1, EDS5, EDT1, EDT5, ES5, EWS1, EWS3, EWS4, EWS5, LFU, VEP5, VPX5, VPXP, VPXP/A, VS15, VS3, VS5, VSB3, VSEP, VWC5, VWE5, VXEH, VXH	
	17231-ZBH-W01	-	1	-	-	-	EZD5, EZDS, EZS4, EZS5, QZSL, VZS5, VZS6	
	17231-ZBH-000	-	1	-	-	1169725	ES2, VMQ3, VMT, VMT2, VMT3, VS4, VS6, VSB4	
8	17233-Z23-H60	SEAL, AIR CLEANER COVER	-	1	-	1	1	EDS1, EDS5, EDT1, EDT5, ES2, ES5, EWS1, EWS3, EWS4, EWS5, LFU, VEP5, VMQ3, VMT, VMT2, VMT3, VPX5, VPXP, VPXP/A, VS15, VS3, VS4, VS5, VSB3, VSB4, VSEP, VWC5, VWE5, VXEH, VXH	
	17233-ZBH-W00	-	1	-	-	-	EZD5, EZDS, EZS4, EZS5, QZSL, VZS5, VZS6	
9	17238-ZG9-M00	COLLAR, AIR CLEANER	-	2	-	2	2	EDS1, EDS5, EDT1, EDT5, ES2, ES5, EWS1, EWS3, EWS4, EWS5, LFU, VEP5, VMQ3, VMT, VMT2, VMT3, VPX5, VPXP, VPXP/A, VS15, VS3, VS4, VS5, VSB3, VSB4, VSEP, VWC5, VWE5, VXEH, VXH	
	17238-ZBH-W00	-	2	-	-	-	EZD5, EZDS, EZS4, EZS5, QZSL, VZS5, VZS6	
10	17238-ZE7-710	COLLAR, AIR CLEANER	-	1	-	1	1	EDS1, EDS5, EDT1, EDT5, ES2, ES5, EWS1, EWS3, EWS4, EWS5, EZD5, EZDS, EZS4, EZS5, LFU, QZSL, VEP5, VMQ3, VMT, VMT2, VMT3, VPX5, VPXP, VPXP/A, VS15, VS3, VS4, VS5, VS6, VSB3, VSB4, VSEP, VWC5, VWE5, VXEH, VXH, VZS5, VZS6	
11	90005-ZM3-000	BOLT, FLANGE, 5X18	-	4	-	-	-	EDS1, EDS5, EDT1, EDT5, ES2, ES5, EWS1, EWS3, EWS4, EWS5, VEP5, VMQ3, VMT, VMT2, VMT3, VPX5, VPXP, VPXP/A, VS15, VS3, VS4, VS5, VS6, VSB3, VSB4, VSEP, VWC5, VWE5, VXEH, VXH	
			-	6	-	-	-	EZD5, EZDS, EZS4, EZS5, QZSL, VZS5, VZS6	
			-	-	-	4	4	LFU	
12	90802-Z6L-000	CAP, SEALING	-	1	-	1	1	EDS1, EDS5, EDT1, EDT5, ES2, ES5, EWS1, EWS3, EWS4, EWS5, EZD5, EZDS, EZS4, EZS5, LFU, QZSL, VEP5, VMQ3, VMT, VMT2, VMT3, VPX5, VPXP, VPXP/A, VS15, VS3, VS4, VS5, VS6, VSB3, VSB4, VSEP, VWC5, VWE5, VXEH, VXH, VZS5	
13	95701-06032-08	BOLT, FLANGE, 6X32	-	1	-	-	-	EDS1, EDS5, EDT1, EDT5, ES2, ES5, EWS1, EWS3, EWS4, EWS5, EZD5, EZDS, EZS4, EZS5, QZSL, VEP5, VMQ3, VMT, VMT2, VMT3, VPX5, VPXP, VPXP/A, VS15, VS3, VS4, VS5, VS6, VSB3, VSB4, VSEP, VWC5, VWE5, VXEH, VXH, VZS5	
14	15721-ZBH-W00	TUBE, BREATHER	-	1	-	-	-	EZD5, QZSL, VZS6	
			-	1	-	-	-	1135679	
15	15721-Z23-H60	TUBE, BREATHER	-	1	-	1	1	EZDS, EZS4, EZS5, VZS5	
			-	1	-	1	1	EDS1, EDS5, EDT1, EDT5, ES2, ES5, EWS1, EWS3, EWS4, EWS5, LFU, VEP5, VMQ3, VMT, VMT2, VMT3, VPX5, VPXP, VPXP/A, VS15, VS3, VS4, VS5, VS6, VSB3, VSB4, VSEP, VWC5, VWE5, VXEH, VXH	
16	17231-Z23-H60	COVER, AIR CLEANER	-	1	-	-	-	VSB3	
			-	1	-	-	-	1169724	
17	90854-ZB3-000	RUBBER, FUEL(9X15X20)	-	1	-	1	1	ES2, VMQ3, VMT, VMT2, VMT3, VS4, VS6, VSB4	
			-	1	-	1	1	EZD5, LFU, QZSL, VPX5, VPXP, VPXP/A, VS15, VSEP, VWC5, VWE5, VXEH, VXH	
18	94050-06000	NUT, FLANGE, 6MM	-	2	-	2	2	EDS1, EDS5, EDT1, EDT5, ES2, ES5, EWS1, EWS3, EWS4, EWS5, EZD5, EZDS, EZS4, EZS5, LFU, QZSL, VEP5, VMQ3, VMT, VMT2, VMT3, VPX5, VPXP, VPXP/A, VS15, VS3, VS4, VS5, VS6, VSB3, VSB4, VSEP, VWC5, VWE5, VXEH, VXH, VZS5, VZS6	



E-15-6

AIR CLEANER(7)

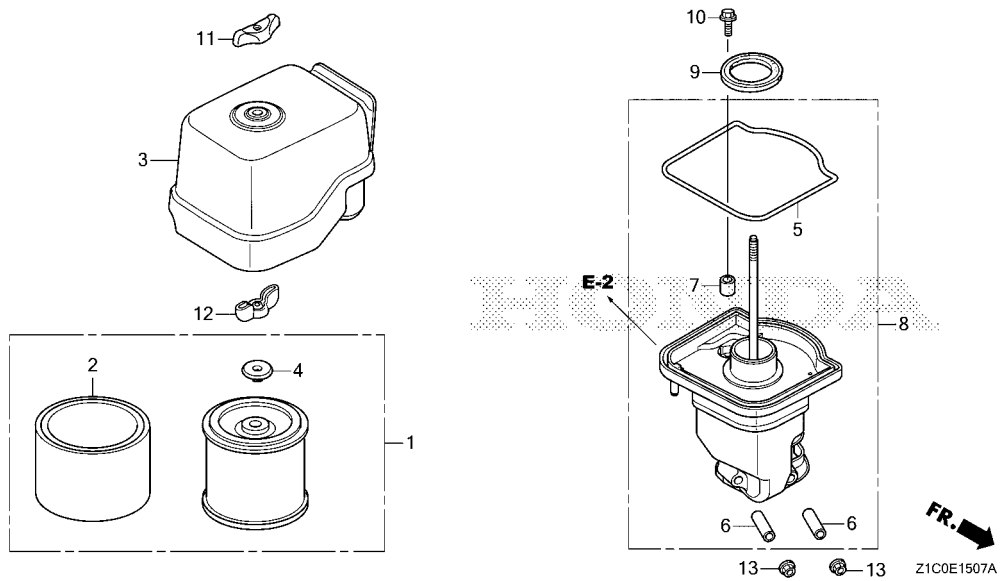


Ref. No.	L.O.N.	(Relative ref. Number) Description	F.R.T.
1	3121E1	PACKING, ELBOW	0.1
2	3121B8	ELEMENT, AIR CLEANER	0.1
		.INCLUDES: Air cleaner element -inspection	
3	3121C1	FILTER, OUTER	0.1
		.INCLUDES: Outer filter-inspection	
4	3121E0	PACKING, AIR CLEANER COVER ...	0.1
9	3121B4	ELBOW, AIR CLEANER	0.1
10	3121A6	CASE, PRE AIR CLEANER	0.1
11	3121A4	CAP, PRE AIR CLEANER	0.1
12	3121C8	GUIDE, PRE AIR CLEANER	0.1

Ref. No.	Part No.	Description	Reqd. QTY					Serial No.	Parts catalogue code
			GX 390 T1	GX 390 T2	GX 390 T2X	GX 390 UT2	GX 390 UT2X		
1	16271-ZE2-010	PACKING, ELBOW	-	1	-	-	-	-	LWD, QCT
2	17210-ZE3-010	ELEMENT, AIR CLEANER	-	1	-	-	-	-	LWD, QCT
3	17218-ZE3-000	FILTER, OUTER	-	1	-	-	-	-	LWD, QCT
4	17219-ZE3-840	PACKING, AIR CLEANER COVER ...	-	1	-	-	-	-	LWD, QCT
5	17230-ZE3-841	COVER COMP., AIR CLEANER (CYCLONE)	-	1	-	-	-	-	LWD, QCT
6	17232-891-000	GROMMET, AIR CLEANER	-	1	-	-	-	-	LWD, QCT
7	17238-ZE2-310	COLLAR, AIR CLEANER	-	2	-	-	-	-	LWD, QCT
8	17239-ZE3-840	COLLAR B, AIR CLEANER	-	1	-	-	-	-	LWD, QCT
9	17410-ZE3-841	ELBOW COMP., AIR CLEANER	-	1	-	-	-	-	LWD, QCT
10	17470-ZE3-842	CASE COMP., PRE AIR CLEANER ..	-	1	-	-	-	-	LWD, QCT
11	17475-ZE3-841	CAP, PRE AIR CLEANER	-	1	-	-	-	-	LWD, QCT
12	17476-ZE3-841	GUIDE, PRE AIR CLEANER	-	1	-	-	-	-	LWD, QCT
13	90009-Z1C-000	BOLT-WASHER, 6X22	-	1	-	-	-	-	LWD, QCT
14	90142-MB0-000	SCREW, PAN, 5X16.5	-	5	-	-	-	-	LWD, QCT
15	90325-044-000	NUT, TOOL BOX SETTING	-	2	-	-	-	-	LWD, QCT
16	94050-06000	NUT, FLANGE, 6MM	-	2	-	-	-	-	LWD, QCT

E-15-7

AIR CLEANER(8)



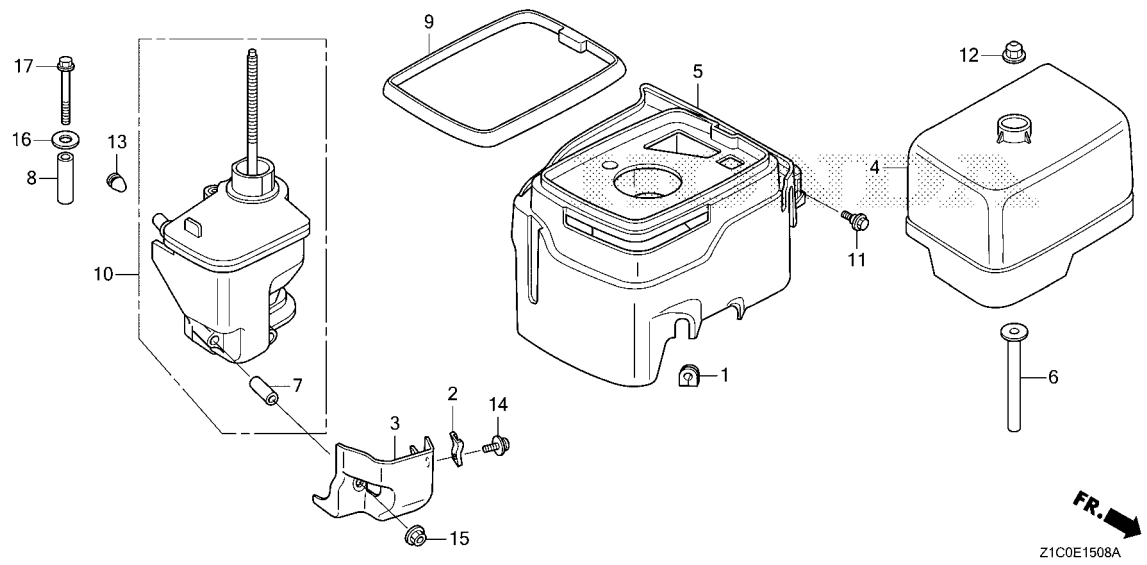
Ref. No.	L.O.N.	(Relative ref. Number) Description	F.R.T.
1	3121B8	ELEMENT, AIR CLEANERINCLUDES: Air cleaner element -inspection	0.1
2	3121C1	FILTER, OUTERINCLUDES: Outer filter-inspection	0.1
5	3121E9	SEAL, AIR CLEANER COVER	0.1
8	3121B4	ELBOW, AIR CLEANER	0.1
9	3121R3	PACKING, AIR CLEANER CASE	0.1

Ref. No.	Part No.	Description	Reqd. QTY					Serial No.	Parts catalogue code
			GX 390 T1	GX 390 T2	GX 390 T2X	GX 390 UT2	GX 390 UT2X		
1	17210-Z1C-781	ELEMENT, AIR CLEANER.....	-	1	-	1	1	-----	QC1, QC2, QC55, QC95, QCWE, SC15, SC5, SCC, SCM5, SEM, SMM, STCH
2	17218-Z1C-780	FILTER, OUTER.....	-	1	-	1	1	-----	QC1, QC2, QC55, QC95, QCWE, SC15, SC5, SCC, SCM5, SEM, SMM, STCH
3	17230-Z1C-780	COVER ASSY., AIR CLEANER (INCLUDE CYCLONE PRE CLEANER)	-	1	-	1	1	-----	QC1, QC2, QC55, QC95, QCWE, SC15, SC5, SCC, SCM5, SEM, SMM, STCH
4	17232-891-000	GROMMET, AIR CLEANER.....	-	1	-	1	1	-----	QC1, QC2, QC55, QC95, QCWE, SC15, SC5, SCC, SCM5, SEM, SMM, STCH
5	17233-Z1C-780	SEAL, AIR CLEANER COVER.....	-	1	-	1	1	-----	QC1, QC2, QC55, QC95, QCWE, SC15, SC5, SCC, SCM5, SEM, SMM, STCH
6	17238-ZE2-310	COLLAR, AIR CLEANER.....	-	2	-	2	2	-----	QC1, QC2, QC55, QC95, QCWE, SC15, SC5, SCC, SCM5, SEM, SMM, STCH
7	17239-ZE3-840	COLLAR B, AIR CLEANER.....	-	1	-	1	1	-----	QC1, QC2, QC55, QC95, QCWE, SC15, SC5, SCC, SCM5, SEM, SMM, STCH
8	17410-Z1C-780	ELBOW COMP., AIR CLEANER.....	-	1	-	1	1	-----	QC1, QC2, QC55, QC95, QCWE, SC15, SC5, SCC, SCM5, SEM, SMM, STCH
9	17417-Z5T-000	PACKING, AIR CLEANER CASE....	-	1	-	1	1	-----	QC1, QC2, QC55, QC95, QCWE, SC15, SC5, SCC, SCM5, SEM, SMM, STCH
10	90009-Z1C-000	BOLT-WASHER, 6X22.....	-	1	-	1	1	-----	QC1, QC2, QC55, QC95, QCWE, SC15, SC5, SCC, SCM5, SEM, SMM, STCH
11	90300-Z4M-800	NUT, AIR CLEANER.....	-	1	-	1	1	-----	QC1, QC2, QC55, QC95, QCWE, SC15, SC5, SCC, SCM5, SEM, SMM, STCH
12	90325-044-000	NUT, TOOL BOX SETTING.....	-	1	-	1	1	-----	QC1, QC2, QC55, QC95, QCWE, SC15, SC5, SCC, SCM5, SEM, SMM, STCH
13	94050-06000	NUT, FLANGE, 6MM.....	-	2	-	2	2	-----	QC1, QC2, QC55, QC95, QCWE, SC15, SC5, SCC, SCM5, SEM, SMM, STCH



E-15-8

AIR CLEANER(9)



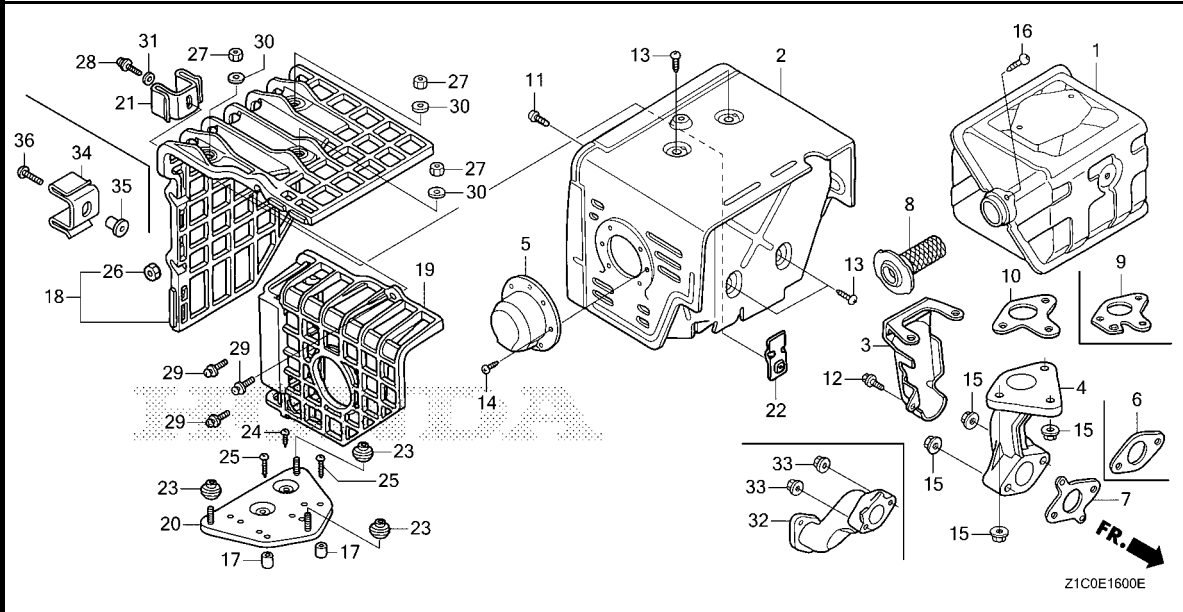
Ref. No.	L.O.N.	(Relative ref. Number) Description	F.R.T.
5	3121D6	NOSE, SILENCER	0.1
9	3121E9	SEAL, AIR CLEANER COVER	0.1
10	3121B4	ELBOW, AIR CLEANER	0.1

Ref. No.	Part No.	Description	Reqd. QTY					Serial No.	Parts catalogue code
			GX 390 T1	GX 390 T2	GX 390 T2X	GX 390 UT2	GX 390 UT2X		
1	15532-KM1-000	GROMMET, OIL PIPE HOLDER.....	-	1	-	-	-	----- SWDH, SWDL	
2	16582-889-U20	HOLDER, CONTROL CABLE.....	-	1	-	-	-	----- SWDH, SWDL	
3	16597-Z1D-H00	STAY COMP., WIRE HOLDER.....	-	1	-	-	-	----- SWDH, SWDL	
4	17231-Z5T-000	COVER, AIR CLEANER CASE.....	-	1	-	-	-	----- SWDH, SWDL	
5	17235-Z1C-H40	NOSE, SILENCER.....	-	1	-	-	-	----- SWDH, SWDL	
6	17238-Z1C-H40	COLLAR A, AIR CLEANER.....	-	1	-	-	-	----- SWDH, SWDL	
7	17238-ZE2-310	COLLAR, AIR CLEANER.....	-	2	-	-	-	----- SWDH, SWDL	
8	17239-Z1C-H00	COLLAR B, AIR CLEANER.....	-	1	-	-	-	----- SWDH, SWDL	
9	17252-Z1C-H40	SEAL, AIR CLEANER.....	-	1	-	-	-	----- SWDH, SWDL	
10	17410-Z1C-H41	ELBOW COMP., AIR CLEANER.....	-	1	-	-	-	----- SWDH, SWDL	
11	90002-Z1D-H00	BOLT, FLANGE, 6MM.....	-	1	-	-	-	----- SWDH, SWDL	
12	90202-Z1D-H00	NUT, FLANGE, 6MM.....	-	1	-	-	-	----- SWDH, SWDL	
13	90899-422-610	PLUG, CONE TYPE.....	-	1	-	-	-	----- SWDH, SWDL	
14	93892-05010-00	SCREW-WASHER, 5X10.....	-	1	-	-	-	----- SWDH, SWDL	
15	94050-06000	NUT, FLANGE, 6MM.....	-	2	-	-	-	----- SWDH, SWDL	
16	94103-06000	WASHER, PLAIN, 6MM.....	-	1	-	-	-	----- SWDH, SWDL	
17	95701-06055-08	BOLT, FLANGE, 6X55.....	-	1	-	-	-	----- SWDH, SWDL	

2

E-16

MUFFLER(1)



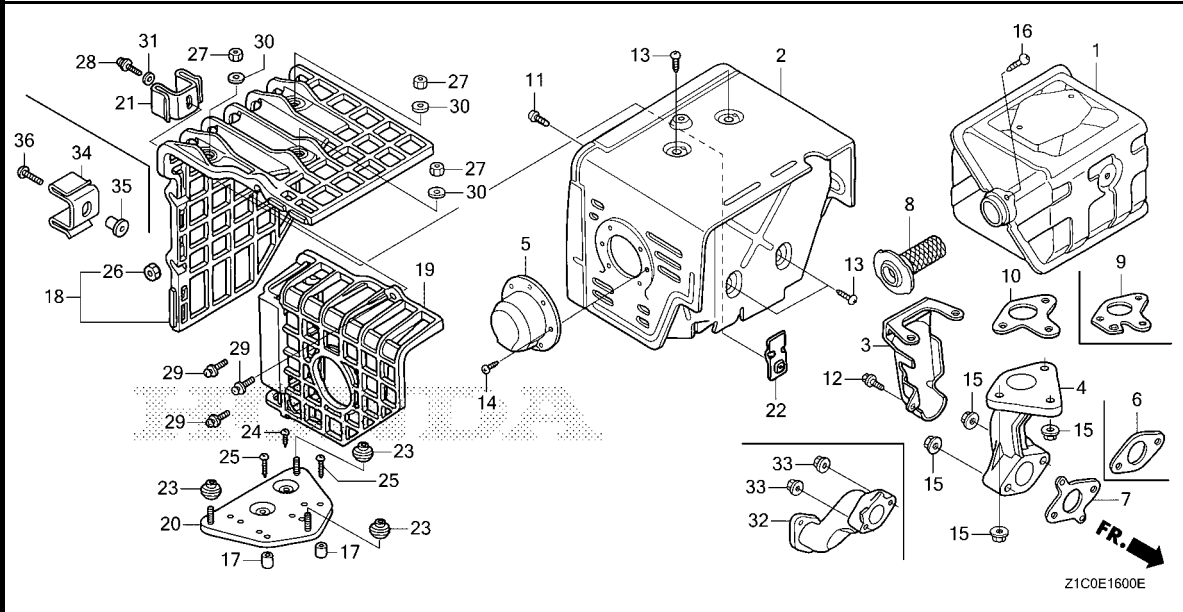
Ref. No.	L.O.N.	(Relative ref. Number) Description	F.R.T.
1	3131C5	MUFFLER, EXHAUST	0.2
2	3131D6	PROTECTOR, EXHAUST MUFFLER ...	0.2
4	3131C9	PIPE, EXHAUST	0.2
7		(6)	
	3131B5	GASKET, EXHAUST PIPE	0.2
8	3131A1	ARRESTER, SPARK	0.2
		.INCLUDES: Spark arrester check	
10		(9)	
	3131B4	GASKET, EXHAUST MUFFLER	0.2
18	3131A7	COVER, EXHAUST MUFFLER	0.1
19	3131A6	COVER, EXHAUST MUFFLER :REAR ..	0.1
20	3131A2	BASE, EXHAUST MUFFLER COVER ..	0.2

Ref. No.	Part No.	Description	Reqd. QTY					Serial No.	Parts catalogue code
			GX 390 T1	GX 390 T2	GX 390 T2X	GX 390 UT2	GX 390 UT2X		
1	18310-ZE2-W61	MUFFLER COMP.(100DB).....	1	-	-	-	-	LH, LH2, LHB5, LHP1, LT, LXE8, LXE9, LXU, PX, PXE8, PXU, QA2, QA26 QAA2, QAA6, QAPW, QBE1, QH, QHB1, QHB3, QHB5, QHP1, QMH, QN, QP, QT QTN, QX, QXE, QXE8, QXEK, QXK, QXQ4, QXU, SH, SHE, SN, SWE, SWE2, SWX SWX2, SX, SXC, SXE, SXE8, SXQ4, VSP, VTE5, VX, VX8, VXE, VXE8, VXX VXX2, VXU1	
2	18320-ZE2-W61	PROTECTOR COMP., MUFFLER.....	1	-	-	-	-	LXE8, LXU, PXE8, PXU, QA2, QA26, QAA2, QAA6, QXE8, QXQ4, QXU, SXE8 SXQ4, VX8, VXE8	
	18320-ZE2-W62	1	-	-	-	-	VXX2	
	18320-ZE2-W61	1	-	-	-	1592326	LH, LH2, LHB5, LHP1, LT, LXE9, PX, QAPW, QBE1, QH, QHB1, QHB3, QHB5 QHP1, QMH, QN, QP, QT, QTN, QX, QXE, QXEK, QXK, SH, SHE, SN, SWE, SWE2 SWX, SWX2, SX, SXC, SXE, VSP, VTE5, VX, VXE, VXX, VXU1	
	18320-ZE2-W62	1	-	-	-	1592327	LH, LH2, LHB5, LHP1, LT, LXE9, PX, QAPW, QBE1, QH, QHB1, QHB3, QHB5 QHP1, QMH, QN, QP, QT, QTN, QX, QXE, QXEK, QXK, SH, SHE, SN, SWE, SWE2 SWX, SWX2, SX, SXC, SXE, VSP, VTE5, VX, VXE, VXX, VXU1	
3	18323-ZE3-W40	PROTECTOR, EX. PIPE.....	1	-	-	-	-	LT, QA2, QA26, QAA2, QAA6, QAPW	
4	18330-ZE2-W00	PIPE, EX.	1	-	-	-	-	LH, LH2, LHB5, LHP1, LT, LXE8, LXE9, LXU, PX, PXE8, PXU, QA2, QA26 QAA2, QAA6, QAPW, QBE1, QH, QHB1, QHB3, QHB5, QHP1, QMH, QN, QP, QT QTN, QX, QXE, QXE8, QXEK, QXK, QXQ4, QXU, SH, SHE, SN, SWE, SWE2, SWX SWX2, SX, SXC, SXE, SXE8, SXQ4, VSP, VTE5, VX, VX8, VXE, VXE8, VXX VXX2, VXU1	
5	18331-ZE3-810	CAP, MUFFLER.....	1	-	-	-	-	QA2, QA26	
	18331-ZE3-811	1	-	-	-	-	QN, QTN, SWX2	
	18331-ZE3-810	1	-	-	-	1443262	LT, QMH, QP, QT, SWX	
	18331-ZE3-811	1	-	-	-	1443263	LT, QMH, QP, QT, SWX	
6	18333-ZE3-800	GASKET, EX. PIPE.....	1	-	-	-	-	1324128 LP	
	18333-Z1C-801	1	-	-	-	-	1324129 LP	



E-16

MUFFLER(1)



Z1C0E1600E

Ref. No.	Part No.	Description	Reqd. QTY					Serial No.	Parts catalogue code
			GX 390 T1	GX 390 T2	GX 390 T2X	GX 390 UT2	GX 390 UT2X		
7	18333-ZF6-W01	GASKET, EX. PIPE	1	-	-	-	-	ES2, ES3, LH, LH2, LHB5, LHP1, LT, LXE8, LXE9, LXU, PX, PXE8, PXU, QA2, QA26, QAA2, QAA6, QAPW, QBE1, QH, QHB1, QHB3, QHB5, QHP1, QMH, QN, QP, QT, QTN, QX, QXE, QXE8, QXEK, QXK, QXQ4, QXU, SH, SHE, SN, SWE, SWE2, SWX, SWX2, SX, SXC, SXE, SXE8, SXQ4, VMQ3, VMT2, VMT3, VS4, VS6, VSB4, VSB5, VSP, VTE5, VX, VX8, VXE, VXE8, VXX, VXX2, VXU1	
	18333-Z1C-901		-	1	-	-	-	EDS5, EDT5, EZD5, VS15	
	18333-ZF6-W01		-	1	-	-	-	1430823 EDS1, EDT1, ES2, ES5, EWS1, EWS3, EWS4, EWS5, EZDS, EZS4, EZS5, VMQ3, VMT, VMT2, VMT3, VS3, VS4, VS5, VS6, VSB3, VSB4, VZS5, VZS6	
	18333-Z1C-901		-	1	-	-	-	1430824 EDS1, EDT1, ES2, ES5, EWS1, EWS3, EWS4, EWS5, EZDS, EZS4, EZS5, VMQ3, VMT, VMT2, VMT3, VS3, VS4, VS5, VS6, VSB3, VSB4, VZS5, VZS6	
8	18355-ZE2-W00	ARRESTER, SPARK	(1)	-	-	-	-	LXE9, LXU, QAPW, QBE1, QHB1	
			1	-	-	-	-	QA2, QA26	
9	18381-ZE2-W10	GASKET, MUFFLER (ARRESTER) (NIPPON LEAKLESS)	(1)	-	-	-	-	LXE9, LXU, QAPW, QBE1, QHB1	
			1	-	-	-	-	QA2, QA26	
10	18381-ZE2-800	GASKET, MUFFLER (NIPPON LEAKLESS)	1	-	-	-	-	LXE8, LXU, PXE8, PXU, QAA2, QAA6, QXE8, QXQ4, QXU, SXE8, SXQ4, VX8, VXE8	
	18381-Z1C-801	GASKET, MUFFLER (THAI LEAKLESS)	1	-	-	-	-	QAPW, VSP, VXX2	
	18381-ZE2-800	GASKET, MUFFLER (NIPPON LEAKLESS)	1	-	-	-	-	1337116 LH, LHB5, LHP1, LT, PX, QH, QHB3, QHB5, QHP1, QMH, QP, QT, QX, QXE, SH, SHE, SN, SWE, SWX, SX, SXC, SXE, VTE5, VX, VXE, VXU1	
	18381-Z1C-801	GASKET, MUFFLER (THAI LEAKLESS)	1	-	-	-	-	1337117 LH, LH2, LHB5, LHP1, LT, LXE9, PX, QBE1, QH, QHB1, QHB3, QHB5, QHP1, QMH, QN, QP, QT, QTN, QX, QXE, QXEK, QXK, SH, SHE, SN, SWE, SWE2, SWX, SWX2, SX, SXC, SXE, VTE5, VX, VXE, VXX, VXU1	



E-16

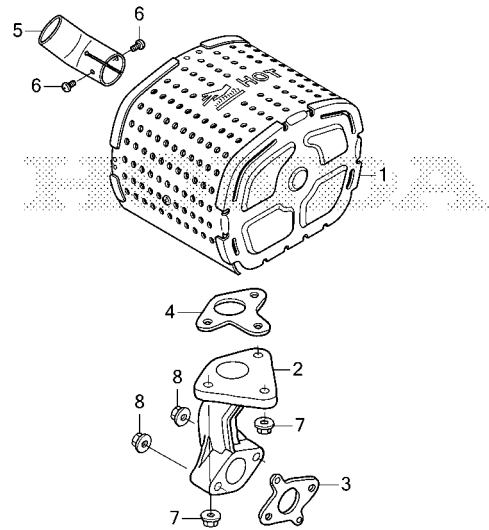
MUFFLER(1)

Ref. No.	Part No.	Description	Reqd. QTY					Serial No.	Parts catalogue code
			GX 390 T1	GX 390 T2	GX 390 T2X	GX 390 UT2	GX 390 UT2X		
11	90006-ZE2-000	SCREW, TAPPING, 6X10.....	1	-	-	-	-	LH, LH2, LHB5, LHP1, LT, LXE8, LXE9, LXU, PX, PXE8, PXU, QA2, QA26 QAA2, QAA6, QAPW, QBE1, QH, QHB1, QHB3, QHB5, QHP1, QMH, QN, QP, QT QTN, QX, QXE, QXE8, QXEK, QXK, QXQ4, QXU, SH, SHE, SN, SWE, SWE2, SWX SWX2, SX, SXC, SXE, SXE8, SXQ4, VSP, VTE5, VX, VX8, VXE, VXE8, VXX VXX2, VXU1	
12	90013-883-000	BOLT, FLANGE, 6X12(CT200)....	1	-	-	-	-	LT, QA2, QA26, QAA2, QAA6, QAPW	
13	90050-ZE1-000	SCREW, TAPPING, 5X8.....	4	-	-	-	-	LH, LH2, LHB5, LHP1, LT, LXE8, LXE9, LXU, PX, PXE8, PXU, QA2, QA26 QAA2, QAA6, QAPW, QBE1, QH, QHB1, QHB3, QHB5, QHP1, QMH, QN, QP, QT QTN, QX, QXE, QXE8, QXEK, QXK, QXQ4, QXU, SH, SHE, SN, SWE, SWE2, SWX SWX2, SX, SXC, SXE, SXE8, SXQ4, VSP, VTE5, VX, VX8, VXE, VXE8, VXX VXX2, VXU1	
14	90055-ZE1-000	SCREW, TAPPING, 4X6.....	3	-	-	-	-	LT, QA2, QA26, QMH, QN, QP, QT, QTN, SWX, SWX2	
15	94050-08000	NUT, FLANGE, 8MM.....	5	-	-	-	-	LH, LH2, LHB5, LHP1, LT, LXE8, LXE9, LXU, PX, PXE8, PXU, QA2, QA26 QAA2, QAA6, QAPW, QBE1, QH, QHB1, QHB3, QHB5, QHP1, QMH, QN, QP, QT QTN, QX, QXE, QXE8, QXEK, QXK, QXQ4, QXU, SH, SHE, SN, SWE, SWE2, SWX SWX2, SX, SXC, SXE, SXE8, SXQ4, VSP, VTE5, VX, VX8, VXE, VXE8, VXX VXX2, VXU1	
16	90055-ZE1-000	SCREW, TAPPING, 4X6.....	(1)	-	-	-	-	LXE9, LXU, QAPW, QBE1, QHB1	
	90050-ZE1-000	SCREW, TAPPING, 5X8.....	1	-	-	-	-	QA2, QA26	
17	17233-896-701	COLLAR, AIR CLEANER CASE.....	(2)	-	-	-	-	QHB1, QXQ4, SXQ4	
18	18433-Z5T-000	COVER COMP., MUFFLER.....	(1)	-	-	-	-	QHB1	
	18433-ZF6-W40	(1)	-	-	-	-	QXQ4, SXQ4	
19	18434-Z5T-000	COVER COMP., RR. MUFFLER.....	(1)	-	-	-	-	QHB1	
	18434-ZF6-W40	(1)	-	-	-	-	QXQ4, SXQ4	
20	18436-ZH8-W41	BASE COMP., MUFFLER COVER....	(1)	-	-	-	-	QHB1	
	18436-ZH8-W40	(1)	-	-	-	-	QXQ4, SXQ4	
21	18437-ZF6-W40	STAY, MUFFLER COVER.....	(1)	-	-	-	-	QXQ4, SXQ4	
			-	(1)	-	-	-	ES2, VSB4	
22	18438-ZF6-W40	PLATE, SET.....	(1)	-	-	-	-	QXQ4, SXQ4	
			-	(1)	-	-	-	ES2, VSB4	
23	18466-ZH8-W40	SPACER, MUFFLER COVER.....	(3)	-	-	-	-	QHB1, QXQ4, SXQ4	
24	90050-ZE1-000	SCREW, TAPPING, 5X8.....	(1)	-	-	-	-	QHB1, QXQ4, SXQ4	
25	90050-ZH8-W40	SCREW, TAPPING, 5X25.....	(2)	-	-	-	-	QHB1, QXQ4, SXQ4	
26	90301-782-000	NUT, U, 6MM.....	(3)	-	-	-	-	QHB1, QXQ4, SXQ4	
27	90302-KF9-900	NUT, HEX., 5MM.....	(3)	-	-	-	-	QHB1, QXQ4, SXQ4	
28	93891-05012-00	SCREW-WASHER, 5X12.....	(1)	-	-	-	-	QXQ4, SXQ4	
			-	(1)	-	-	-	ES2, VSB4	
29	93891-06020-07	SCREW-WASHER, 6X20.....	(3)	-	-	-	-	QHB1, QXQ4, SXQ4	
30	94103-05700	WASHER, PLAIN, 5MM.....	(3)	-	-	-	-	QHB1, QXQ4, SXQ4	
31	94111-05000	WASHER, SPRING, 5MM.....	(1)	-	-	-	-	ES2, ES3, QHB1, QXQ4, SXQ4, VSB4	
			-	(1)	-	-	-	ES2, VSB4	
32	18330-ZE3-710	PIPE, EX.	1	1	-	-	-	EDS1, EDS5, EDT1, EDT5, ES2, ES3, ES5, EWS1, EWS3, EWS4, EWS5, EZD5 EZDS, EZS4, EZS5, VMT, VMT2, VMT3, VS3, VS4, VS5, VS6, VSB3, VSB4 VSB5, VZS5, VZS6	
	18330-ZE3-700	1	1	-	-	-	VMQ3, VS15	
33	94050-08000	NUT, FLANGE, 8MM.....	2	2	-	-	-	EDS1, EDS5, EDT1, EDT5, ES2, ES3, ES5, EWS1, EWS3, EWS4, EWS5, EZD5 EZDS, EZS4, EZS5, VMQ3, VMT, VMT2, VMT3, VS15, VS3, VS4, VS5, VS6 VSB3, VSB4, VSB5, VZS5, VZS6	
34	18437-Z5T-000	STAY, MUFFLER COVER.....	(1)	-	-	-	-	ES2, ES3, QHB1, VSB4	
35	19619-ZL8-300	COLLAR, FAN COVER.....	(1)	-	-	-	-	ES2, ES3, QHB1, VSB4	
36	90006-Z5T-000	SCREW, TAPPING, 6X25.....	(1)	-	-	-	-	ES2, ES3, QHB1, VSB4	



E-16-1

MUFFLER(2)

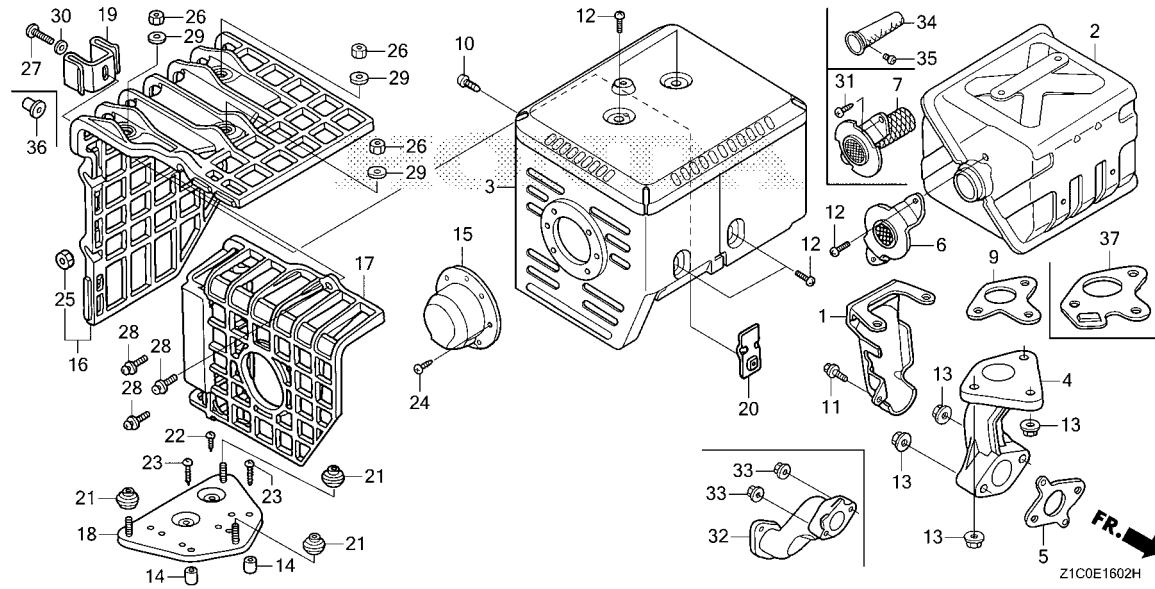


Ref. No.	L.O.N.	(Relative ref. Number) Description	F.R.T.
1	3131C5	MUFFLER, EXHAUST	0.2
2	3131C9	PIPE, EXHAUST	0.2
3	3131B5	GASKET, EXHAUST PIPE	0.2
4	3131B4	GASKET, EXHAUST MUFFLER	0.2
5	3131A8	DEFLECTOR, EXHAUST MUFFLER ...	0.1

Ref. No.	Part No.	Description	Reqd. QTY					Serial No.	Parts catalogue code
			GX 390 T1	GX 390 T2	GX 390 T2X	GX 390 UT2	GX 390 UT2X		
1	18310-Z1C-811	MUFFLER COMP.	1	-	-	-	-	LBH, LBHS	
	18310-Z1C-810	1	-	-	-	1000978	LBHB, QBH, QBHS	
			1	-	-	-	1618678	QBLS, QBS	
	18310-Z1C-811	1	-	-	-	1000979	LBHB, QBH, QBHS	
			1	-	-	-	1618679	QBLS, QBS	
2	18331-Z1C-800	PIPE, EX.	1	-	-	-	-	LBH, LBHS, QBH, QBHS	
			1	-	-	-	-	LBH, LBHB, LBHS, QBH, QBHS, QBLS, QBS	
3	18333-ZF6-W01	GASKET, EX. PIPE	1	-	-	-	-	LBH, LBHS, QBH, QBHS	
			1	-	-	-	-	LBH, LBHB, LBHS, QBH, QBHS, QBLS, QBS	
	18333-Z1C-901	1	-	-	-	1430824	LBH, LBHS, QBH, QBHS	
4	18381-Z1C-801	GASKET, MUFFLER(THAI LEAKLESS)	1	-	-	-	-	LBH, LBHB, LBHS, QBH, QBHS, QBLS, QBS	
			1	-	-	-	-	LBH, LBHS, QBH, QBHS	
5	18431-Z0T-800	DEFLECTOR, MUFFLER	1	-	-	-	-	LBHB, LBHS, QBHS, QBLS	
			1	-	-	-	-	LBHS, QBHS	
6	90055-ZE1-000	SCREW, TAPPING, 4X6	2	-	-	-	-	LBHB, LBHS, QBHS, QBLS	
			2	-	-	-	-	LBHS, QBHS	
7	94050-08000	NUT, FLANGE, 8MM	3	-	-	-	-	LBH, LBHB, LBHS, QBH, QBHS, QBLS, QBS	
			3	-	-	-	-	LBH, LBHS, QBH, QBHS	
8	90309-KF0-003	NUT, FLANGE, 8MM	2	-	-	-	-	LBH, LBHS	
	94050-08000	2	-	-	-	1000978	LBHB, QBH, QBHS	
			2	-	-	-	1618678	QBLS, QBS	
	90309-KF0-003	2	-	-	-	1000979	LBHB, QBH, QBHS	
			2	-	-	-	1618679	QBLS, QBS	
			2	-	-	-	-	LBH, LBHS, QBH, QBHS	

E-16-2

MUFFLER(3)



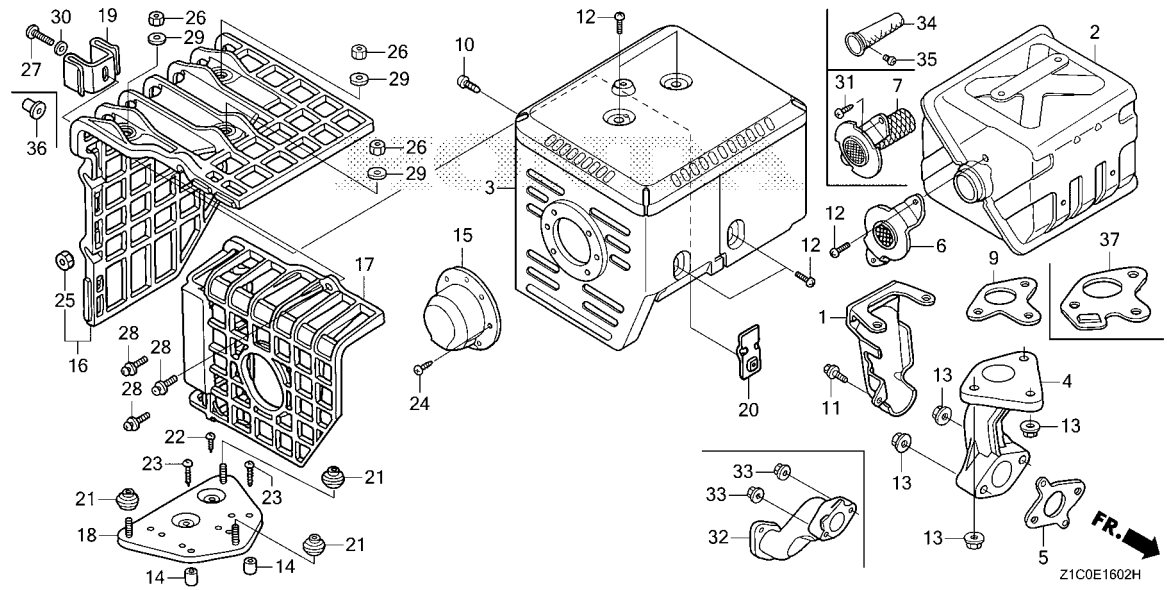
Ref. No.	L.O.N.	(Relative ref. Number) Description	F.R.T.
2	3131C5	MUFFLER, EXHAUST	0.2
3	3131D6	PROTECTOR, EXHAUST MUFFLER ...	0.2
4	3131C9	PIPE, EXHAUST	0.2
5	3131B5	GASKET, EXHAUST PIPE	0.2
6	3131G5	FLANGE, EXHAUST BAFFLE	0.2
7		(34)	
	3131A1	ARRESTER, SPARK	0.2
		.INCLUDES: Spark arrester check (37)	
9	3131B4	GASKET, EXHAUST MUFFLER	0.2
16	3131A7	COVER, EXHAUST MUFFLER	0.1
17	3131A6	COVER, EXHAUST MUFFLER :REAR ..	0.1
18	3131A2	BASE, EXHAUST MUFFLER COVER ..	0.2

Ref. No.	Part No.	Description	Reqd. QTY					Serial No.	Parts catalogue code
			GX 390 T1	GX 390 T2	GX 390 T2X	GX 390 UT2	GX 390 UT2X		
1	18323-25T-W41	PROTECTOR, EX. PIPE	-	1	1	-	-	LEAJ, LTK1, LWD, LWP1, QA25, QAA5, QAPW, QAPW/A, QNR5, QPW, SCM5 S JG, SM11, SWA5	
2	18310-25T-010	MUFFLER COMP.	-	1	1	1	1	LEAJ, LH, LH2, LHB5, LHP1, LTK1, LWD, LWP1, LXE5, LXE9, LXQ5, PKT5 PX, PXE5, PXU5, QA25, QAA5, QAPW, QAPW/A, QBE1, QBE1/A, QBL5, QBS QBS1, QC1, QC2, QC55, QC95, QCT, QCWE, QH, QHB1, QHB1/A, QHB2 QHB2/A, QHB3, QHB5, QHP1, QHT, QHT1, QHTN, QK45, QKA5, QMAH, QMAH/A QMH, QN, QNG, QNR5, QP, QPW, QTE, QTG, QTN, QX, QX5, QXB5, QXE, QXE5 QXEK, QXG, QXK, QXQ5, QXU5, QZSD, SC15, SC5, SCC, SCM5, SEM, SH, SHMV S JG, SM11, SME5, SMEJ, SMM, SMTP, STCH, SWA5, SWD4, SWDH, SWDL, SWE2 SWSC, SWX, SWX2, SX, SX5, SXC, SXE5, SXQ5, SZSK, VSD5, VSP, VSP/A VTE5, VX, VXB5, VXE, VXG, VXK, VXU1, VZKK, VZX	
3	18320-25T-000	PROTECTOR COMP., MUFFLER	-	1	1	1	1	LEAJ, LH, LH2, LHB5, LHP1, LTK1, LWD, LWP1, LXE5, LXE9, LXQ5, PKT5 PX, PXE5, PXU5, QA25, QAA5, QAPW, QAPW/A, QBE1, QBE1/A, QBL5, QBS QBS1, QC1, QC2, QC55, QC95, QCT, QCWE, QH, QHB1, QHB1/A, QHB2 QHB2/A, QHB3, QHB5, QHP1, QHT, QHT1, QHTN, QK45, QKA5, QMAH, QMAH/A QMH, QN, QNG, QNR5, QP, QPW, QTE, QTG, QTN, QX, QX5, QXE, QXE5, QXEK QXG, QXK, QXQ5, QXU5, QZSD, SC15, SC5, SCC, SCM5, SEM, SH, SHMV, S JG SM11, SME5, SMEJ, SMM, SMTP, STCH, SWA5, SWD4, SWDH, SWDL, SWE2 SWSC, SWX, SWX2, SX, SX5, SXC, SXE5, SXQ5, SZSK, VSP, VSP/A, VTE5, VX VXE, VXG, VXK, VXU1, VZKK, VZX	
	18320-25T-800	PROTECTOR COMP., MUFFLER (100DB)	-	1	-	-	-	QXB5, VSD5, VXB5	



E-16-2

MUFFLER(3)



Ref. No.	Part No.	Description	Reqd. QTY					Serial No.	Parts catalogue code
			GX 390 T1	GX 390 T2	GX 390 T2X	GX 390 UT2	GX 390 UT2X		
4	18331-Z5T-000	PIPE, EX.	-	1	1	1	1	-----	LEAJ, LH, LH2, LHB5, LHP1, LTK1, LTD, LWP1, LXE5, LXE9, LXQ5, PKT5, PX, PXE5, PXU5, QA25, QAA5, QAPW, QAPW/A, QBE1, QBE1/A, QBLS, QBS, QBS1, QC1, QC2, QC55, QC95, QCT, QCWE, QH, QHB1, QHB1/A, QHB2, QHB2/A, QHB3, QHB5, QHP1, QHT, QHT1, QHTN, QK45, QKA5, QMAH, QMAH/A, QMH, QN, QNG, QNR5, QP, QPW, QTE, QTG, QTN, QX, QX5, QXB5, QXE, QXE5, QXEK, QXG, QXK, QXQ5, QXU5, QZSD, SC15, SC5, SCC, SCM5, SEM, SH, SHMV, SJG, SM11, SME5, SMEJ, SMM, SMTP, STCH, SWA5, SWD4, SWDH, SWDL, SWE2, SWSC, SWX, SWX2, SX, SX5, SXC, SXE5, SXQ5, SZSK, VSD5, VSP, VSP/A, VTE5, VX, VXB5, VXE, VXG, VXX, VXU1, VZKK, VZX
5	18333-Z1C-901	GASKET, EX. PIPE.....	-	1	-	1	1	-----	LEAJ, LXE5, LXQ5, PKT5, PXE5, PXU5, QA25, QAA5, QAPW/A, QBE1/A, QBS1, QC1, QC2, QC55, QC95, QCT, QCWE, QHB1/A, QHB2, QHB2/A, QHT, QHT1, QHTN, QK45, QKA5, QMAH, QMAH/A, QNG, QNR5, QPW, QTE, QTG, QX5, QXB5, QXE5, QXG, QXQ5, QXU5, QZSD, QZSL, SC15, SC5, SCC, SCM5, SEM, SHMV, SME5, SMEJ, SMM, STCH, SWA5, SWD4, SWDH, SWDL, SWSC, SX5, SXE5, SXQ5, SZSK, VSD5, VSP/A, VXB5, VXG, VXR5
	18333-ZK6-Y00	-	(1)	-	-	-	-----	QNR5
	18333-ZF6-W01	-	1	-	-	-	1430823	LH, LH2, LHB5, LHP1, LTK1, LTD, LWP1, LXE9, PX, QAPW, QBE1, QBLS, QBS, QH, QHB1, QHB3, QHB5, QHP1, QMH, QN, QP, QTN, QX, QXE, QXEK, QXK, SH, SJG, SM11, SMTP, SWE2, SWX, SWX2, SX, SXC, VSP, VTE5, VX, VXE, VXX, VXU1, VZKK, VZX
	18333-Z1C-901	-	1	-	-	-	1430824	LH, LH2, LHB5, LHP1, LTK1, LTD, LWP1, LXE9, PX, QAPW, QBE1, QBLS, QBS, QH, QHB1, QHB3, QHB5, QHP1, QMH, QN, QP, QTN, QX, QXE, QXEK, QXK, SH, SJG, SM11, SMTP, SWE2, SWX, SWX2, SX, SXC, VSP, VTE5, VX, VXE, VXX, VXU1, VZKK, VZX
			-	-	1	-	-		



E-16-2

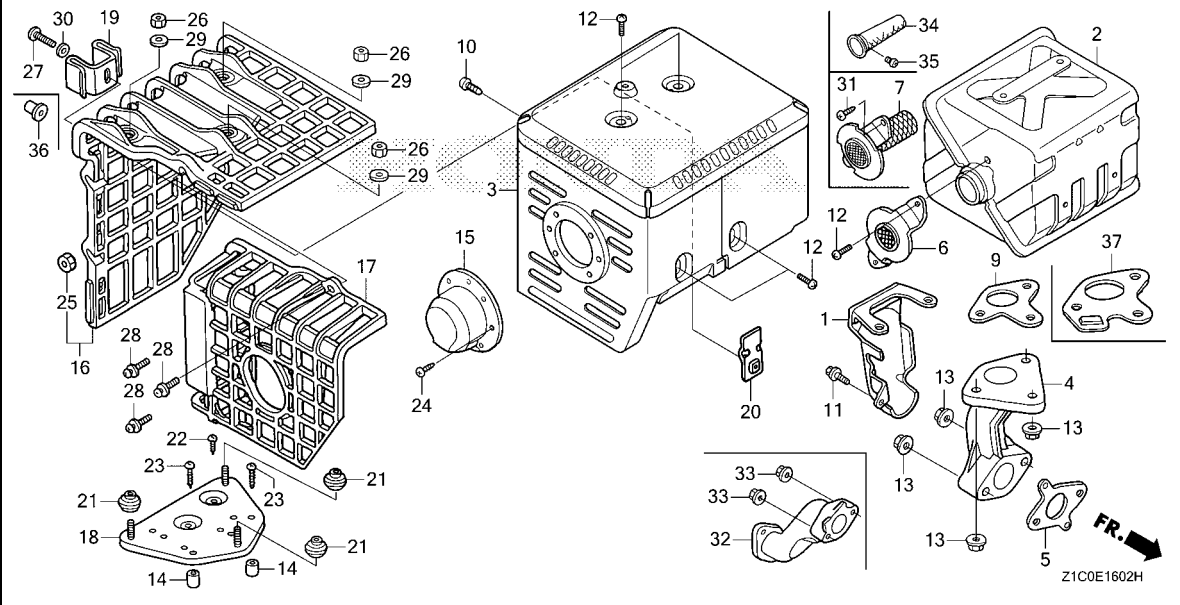
MUFFLER(3)

Ref. No.	Part No.	Description	Reqd. QTY					Serial No.	Parts catalogue code
			GX 390 T1	GX 390 T2	GX 390 T2X	GX 390 UT2	GX 390 UT2X		
6	18336-ZE3-000	FLANGE COMP., BAFFLE.....	-	1	1	1	1	-----	LH, LH2, LHB5, LHP1, LTK1, LWD, LWP1, LXE9, LXQ5, PKT5, PX, PXE5, PXU5, QAA5, QAPW, QAPW/A, QBE1, QBE1/A, QBLS, QBS, QBS1, QC1, QC2, QC95, QCT, QCWE, QH, QHB1, QHB1/A, QHB2, QHB2/A, QHB3, QHB5, QHP1, QHT, QHT1, QHTN, QMAH, QMAH/A, QMH, QN, QNR5, QP, QPW, QTE, QTN, QX, QX5, QXE, QXE5, QXEK, QXK, QXQ5, QXU5, QZSD, SC15, SC5, SCC, SEM, SH, SHMV, SJG, SM11, SME5, SMEJ, SMM, STCH, SWD4, SWDH, SWDL, SWE2, SWX, SWX2, SX, SX5, SXC, SXE5, SXQ5, SZSK, VSP, VSP/A, VTE5, VX, VXE, VXK, VXU1, VZKK, VZX
7	18350-Z5T-800	ARRESTER COMP., SPARK.....	-	(1)	(1)	(1)	(1)	-----	LFU, LXE9, LXQ5, PKT5, PXE5, PXU5, QAA5, QAPW, QAPW/A, QBE1, QBE1/A, QC95, QHB1, QHB1/A, QHB2, QHB2/A, QMAH, QMAH/A, QNR5, QPW, QX5, QXA5, QXE5, QXQ5, QXU5, QZSD, SC15, SC5, SCC, SEM, SHMV, SME5, SMEJ, SMM, SMTP, SWD4, SX5, SXE5, SXQ5, SZSK
	18545-Z1C-890	SCREEN COMP.....	-	1	-	-	-	-----	LEAJ, LXE5, QA25, QC55, QK45, QKA5, QXB5, SCM5, SWA5, VSD5, VXB5
9	18381-Z1C-801	GASKET, MUFFLER(THAI LEAKLESS)	-	1	1	1	1	-----	QNG, QTG, QXG, VXG LH, LH2, LHB5, LHP1, LTK1, LWD, LWP1, LXE9, LXQ5, PKT5, PX, PXE5, PXU5, QAA5, QAPW, QAPW/A, QBE1, QBE1/A, QBLS, QBS, QBS1, QC1, QC2, QC95, QCT, QCWE, QH, QHB1, QHB1/A, QHB2, QHB2/A, QHB3, QHB5, QHP1, QHT, QHT1, QHTN, QMAH, QMAH/A, QMH, QN, QNR5, QP, QPW, QTE, QTN, QX, QX5, QXE, QXE5, QXEK, QXK, QXQ5, QXU5, QZSD, SC15, SC5, SCC, SEM, SH, SHMV, SJG, SM11, SME5, SMEJ, SMM, SMTP, STCH, SWD4, SWDH, SWDL, SWE2, SWSC, SWX, SWX2, SX, SX5, SXC, SXE5, SXQ5, SZSK, VSP, VSP/A, VTE5, VX, VXE, VXK, VXU1, VZKK, VZX
	18381-ZE2-801	GASKET, MUFFLER (NIPPON LEAKLESS)	-	1	1	1	1	-----	LH, LH2, LHB5, LHP1, LTK1, LWD, LWP1, LXE9, LXQ5, PKT5, PX, PXE5, PXU5, QAA5, QAPW, QAPW/A, QBE1, QBE1/A, QBLS, QBS, QBS1, QC1, QC2, QC95, QCT, QCWE, QH, QHB1, QHB1/A, QHB2, QHB2/A, QHB3, QHB5, QHP1, QHT, QHT1, QHTN, QMAH, QMAH/A, QMH, QN, QNR5, QP, QPW, QTE, QTN, QX, QX5, QXE, QXE5, QXEK, QXK, QXQ5, QXU5, QZSD, SC15, SC5, SCC, SEM, SH, SHMV, SJG, SM11, SME5, SMEJ, SMM, SMTP, STCH, SWD4, SWDH, SWDL, SWE2, SWSC, SWX, SWX2, SX, SX5, SXC, SXE5, SXQ5, SZSK, VSP, VSP/A, VTE5, VX, VXE, VXK, VXU1, VZKK, VZX
	18381-ZE2-800	-	1	-	-	-	-----	QAPW, QHP1, VSP
10	90006-ZE2-000	SCREW, TAPPING, 6X10.....	-	1	1	1	1	-----	LEAJ, LH, LH2, LHB5, LHP1, LTK1, LWD, LWP1, LXE5, LXE9, LXQ5, PKT5, PX, PXE5, PXU5, QA25, QAA5, QAPW, QAPW/A, QBE1, QBE1/A, QBLS, QBS, QBS1, QC1, QC2, QC55, QC95, QCT, QCWE, QH, QHB1, QHB1/A, QHB2, QHB2/A, QHB3, QHB5, QHP1, QHT, QHT1, QHTN, QK45, QKA5, QMAH, QMAH/A, QMH, QN, QNG, QNR5, QP, QPW, QTE, QTG, QTN, QX, QX5, QXB5, QXE, QXE5, QXEK, QXG, QXK, QXQ5, QXU5, QZSD, SC15, SC5, SCC, SCM5, SEM, SH, SHMV, SJG, SM11, SME5, SMEJ, SMM, SMTP, STCH, SWA5, SWD4, SWDH, SWDL, SWE2, SWSC, SWX, SWX2, SX, SX5, SXC, SXE5, SXQ5, SZSK, VSD5, VSP, VSP/A, VTE5, VX, VXB5, VXE, VXG, VXK, VXU1, VZKK, VZX
11	90013-883-000	BOLT, FLANGE, 6X12(CT200)....	-	1	1	-	-	-----	LTK1, LWD, LWP1, QA25, QAA5, QAPW, QAPW/A, QNR5, QPW, SCM5, SJG, SM11, SWA5
12	90050-ZE1-000	SCREW, TAPPING, 5X8.....	-	6	6	-	-	-----	LH, LH2, LHB5, LHP1, LTK1, LWD, LWP1, LXE9, LXQ5, PKT5, PX, PXE5, PXU5, QAA5, QAPW, QAPW/A, QBE1, QBE1/A, QBLS, QBS, QBS1, QC1, QC2, QC95, QCT, QCWE, QH, QHB1, QHB1/A, QHB2, QHB2/A, QHB3, QHB5, QHP1, QHT, QHT1, QHTN, QMH, QN, QNR5, QP, QPW, QTE, QTN, QX, QX5, QXE, QXE5, QXEK, QXK, QXQ5, QXU5, QZSD, SC15, SC5, SEM, SH, SHMV, SJG, SM11, SME5, SMEJ, SMM, SMTP, STCH, SWD4, SWDH, SWDL, SWE2, SWSC, SWX, SWX2, SX, SX5, SXC, SXE5, SXQ5, SZSK, VSP, VSP/A, VTE5, VX, VXE, VXK, VXU1, VZKK, VZX
			-	4	-	-	-	-----	LEAJ, LXE5, QA25, QC55, QK45, QKA5, QNG, QTG, QXB5, QXG, SCM5, SWA5, VSD5, VXB5, VXG
			-	-	-	6	6	-----	QMAH, QMAH/A, SCC



E-16-2

MUFFLER(3)



Ref. No.	Part No.	Description	Reqd. QTY					Serial No.	Parts catalogue code
			GX 390 T1	GX 390 T2	GX 390 T2X	GX 390 UT2	GX 390 UT2X		
13	94050-08000	NUT, FLANGE, 8MM.....	-	5	-	-	-	-----	LEAJ, LH, LH2, LTK1, LWD, LWP1, LXE5, LXQ5, PKT5, PXE5, PXU5, QA25 QAA5, QAPW/A, QBE1, QBE1/A, QBLS, QBS, QBS1, QC1, QC2, QC55, QC95 QCT, QCWE, QHB1, QHB1/A, QHB2, QHB2/A, QHT, QHT1, QHTN, QK45, QKA5 QNG, QNR5, QP, QPW, QTE, QTG, QTN, QX5, QXB5, QXE5, QXG, QXQ5, QXU5 QZSD, SC15, SC5, SCM5, SEM, SHMV, SJG, SM11, SME5, SMEJ, SMM, SMTP STCH, SWA5, SWD4, SWDH, SWDL, SWE2, SWSC, SWX, SWX2, SX5, SXE5, SXQ5 SZSK, VSD5, VSP/A, VXB5, VXG, VZKK, VZX
			-	10	-	-	-	-----	LHB5, LHP1, LXE9, PX, QAPW, QH, QHB3, QHB5, QHP1, QMH, QN, QX, QXE QXEK, QXK, SH, SX, SXC, VSP, VTE5, VX, VXE, VXX, VXU1
			-	-	5	-	-	-----	QMAH, QMAH/A, SCC
14	17233-896-701	COLLAR, AIR CLEANER CASE.....	-	(2)	-	-	5	-----	LXE5, LXQ5, QC55, QHB1, QHB1/A, QHB2, QHB2/A, QK45, QKA5, QXA5 QXB5, QXE5, QXQ5, SHMV, SME5, SMEJ, SMM, SWA5, SWD4, SX5, SXE5, SXQ5 VSD5, VWT5, VXB5
15	18331-ZE3-811	CAP, MUFFLER.....	1	-	-	1	1	-----	LT, QMAH, QMAH/A, QMH, QN, QP, QT, QTN, SCC, SWX, SWX2
			-	1	-	-	-	-----	LEAJ, QA25, QBS, QBS1, QC1, QC2, QC55, QCT, QCWE, QHT, QHT1, QHTN QK45, QKA5, QMH, QN, QNG, QNR5, QP, QTE, QTG, QTN, SC15, SC5, SCM5 SHMV, SMEJ, SWD4, SWX, SWX2, SX5
16	18433-Z5T-000	COVER COMP., MUFFLER.....	-	(1)	-	-	-	-----	LXE5, LXQ5, QC55, QHB1, QHB1/A, QHB2, QHB2/A, QK45, QKA5, QXA5 QXB5, QXE5, QXQ5, SHMV, SME5, SMEJ, SMM, SWA5, SWD4, SX5, SXE5, SXQ5 VSD5, VWT5, VXB5
17	18434-Z5T-000	COVER COMP., RR. MUFFLER.....	-	(1)	-	-	-	-----	LXE5, LXQ5, QC55, QHB1, QHB1/A, QHB2, QHB2/A, QK45, QKA5, QXA5 QXB5, QXE5, QXQ5, SHMV, SME5, SMEJ, SMM, SWA5, SWD4, SX5, SXE5, SXQ5 VSD5, VWT5, VXB5
18	18436-ZH8-W41	BASE COMP., MUFFLER COVER.....	-	(1)	-	-	-	-----	LXE5, LXQ5, QC55, QHB1, QHB1/A, QHB2, QHB2/A, QK45, QKA5, QXA5 QXB5, QXE5, QXQ5, SHMV, SME5, SMEJ, SMM, SWA5, SWD4, SX5, SXE5, SXQ5 VSD5, VWT5, VXB5



E-16-2

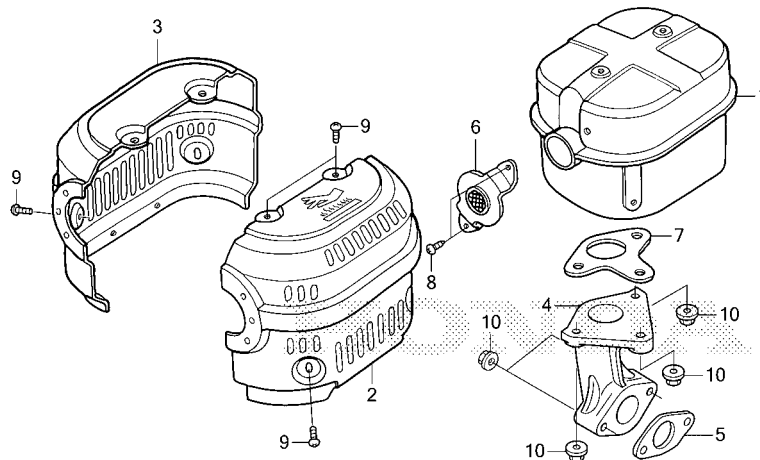
MUFFLER(3)

Ref. No.	Part No.	Description	Reqd. QTY					Serial No.	Parts catalogue code
			GX 390 T1	GX 390 T2	GX 390 T2X	GX 390 UT2	GX 390 UT2X		
19	18437-Z5T-000	STAY, MUFFLER COVER	-	(1)	-	-	-	LXE5, LXQ5, QC55, QHB1, QHB1/A, QHB2, QHB2/A, QK45, QKA5, QXA5, QXB5, QXE5, QXQ5, SHMV, SME5, SMEJ, SMM, SWA5, SWD4, SX5, SXE5, SXQ5, VSD5, VWT5, VXB5	
20	18438-ZF6-W40	PLATE, SET	-	(1)	-	-	-	QHB1	
21	18466-ZH8-W40	SPACER, MUFFLER COVER	-	(3)	-	-	-	LXE5, LXQ5, QC55, QHB1, QHB1/A, QHB2, QHB2/A, QK45, QKA5, QXA5, QXB5, QXE5, QXQ5, SHMV, SME5, SMEJ, SMM, SWA5, SWD4, SX5, SXE5, SXQ5, VSD5, VWT5, VXB5	
22	90050-ZE1-000	SCREW, TAPPING, 5X8	-	(1)	-	-	-	LXE5, LXQ5, QC55, QHB1, QHB1/A, QHB2, QHB2/A, QK45, QKA5, QXA5, QXB5, QXE5, QXQ5, SHMV, SME5, SMEJ, SMM, SWA5, SWD4, SX5, SXE5, SXQ5, VSD5, VWT5, VXB5	
23	90050-ZH8-W40	SCREW, TAPPING, 5X25	-	(2)	-	-	-	LXE5, LXQ5, QC55, QHB1, QHB1/A, QHB2, QHB2/A, QK45, QKA5, QXA5, QXB5, QXE5, QXQ5, SHMV, SME5, SMEJ, SMM, SWA5, SWD4, SX5, SXE5, SXQ5, VSD5, VWT5, VXB5	
24	90055-ZE1-000	SCREW, TAPPING, 4X6	3	-	-	3	3	LT, QMAH, QMAH/A, QMH, QN, QP, QT, QTN, SCC, SWX, SWX2 LEAJ, QA25, QBS, QBS1, QC1, QC2, QC55, QCT, QCWE, QHT, QHT1, QHTN, QK45, QKA5, QMH, QN, QNG, QNR5, QP, QTE, QTG, QTN, SC15, SC5, SCM5, SHMV, SMEJ, SWX, SWX2, SX5	
25	90301-782-000	NUT, U, 6MM	-	(3)	-	-	-	LXE5, LXQ5, QC55, QHB1, QHB1/A, QHB2, QHB2/A, QK45, QKA5, QXA5, QXB5, QXE5, QXQ5, SHMV, SME5, SMEJ, SMM, SWA5, SWD4, SX5, SXE5, SXQ5, VSD5, VWT5, VXB5	
26	90302-KF9-900	NUT, HEX., 5MM	-	(3)	-	-	-	LXE5, LXQ5, QC55, QHB1, QHB1/A, QHB2, QHB2/A, QK45, QKA5, QXA5, QXB5, QXE5, QXQ5, SHMV, SME5, SMEJ, SMM, SWA5, SWD4, SX5, SXE5, SXQ5, VSD5, VWT5, VXB5	
27	90006-Z5T-000	SCREW, TAPPING, 6X25	-	(1)	-	-	-	LXE5, LXQ5, QC55, QHB1, QHB1/A, QHB2, QHB2/A, QK45, QKA5, QXA5, QXB5, QXE5, QXQ5, SHMV, SME5, SMEJ, SMM, SWA5, SWD4, SX5, SXE5, SXQ5, VSD5, VWT5, VXB5	
28	93891-06020-07	SCREW-WASHER, 6X20	-	(3)	-	-	-	LXE5, LXQ5, QC55, QHB1, QHB1/A, QHB2, QHB2/A, QK45, QKA5, QXA5, QXB5, QXE5, QXQ5, SHMV, SME5, SMEJ, SMM, SWA5, SWD4, SX5, SXE5, SXQ5, VSD5, VWT5, VXB5	
29	94103-05700	WASHER, PLAIN, 5MM	-	(3)	-	-	-	LXE5, LXQ5, QC55, QHB1, QHB1/A, QHB2, QHB2/A, QK45, QKA5, QXA5, QXB5, QXE5, QXQ5, SHMV, SME5, SMEJ, SMM, SWA5, SWD4, SX5, SXE5, SXQ5, VSD5, VWT5, VXB5	
30	94111-05000	WASHER, SPRING, 5MM	-	(1)	-	-	-	QHB1	
31	90050-ZE1-000	SCREW, TAPPING, 5X8	-	(2)	-	(2)	-	LFU, LXE5, LXQ5, PKT5, PXE5, PXU5, QA25, QAA5, QAPW/A, QBE1/A, QC55, QC95, QHB1/A, QHB2, QHB2/A, QK45, QKA5, QMAH, QMAH/A, QNR5, QX5, QXA5, QXB5, QXE5, QXQ5, QXU5, QZSD, SC15, SC5, SCM5, SEM, SHMV, SME5, SMEJ, SMM, SWA5, SWD4, SX5, SXE5, SXQ5, SZSK, VSD5, VXB5	
	90055-ZE1-000	SCREW, TAPPING, 4X6	-	(2)	-	-	-	LEAJ, LXE5, QA25, QC55, QK45, QKA5, QNG, QTG, QXB5, QXG, SCM5, SWA5, VSD5, VXB5, VXG	
	90050-ZE1-000	SCREW, TAPPING, 5X8	-	-	(2)	(2)	-	SMTPT	
32	18330-ZE3-700	PIPE, EX.	-	1	-	-	1576795	QZSL	
	18330-ZE3-710		-	1	-	-	1576796	QZSL	
33	94050-08000	NUT, FLANGE, 8MM	-	2	-	-	-	QZSL	
34	18355-ZB4-630	ARRÊSTER, SPARK	-	(1)	-	-	-	EZD5, QZSL	
35	90002-ZE2-U91	SCREW, TAPPING, 4X8	-	(1)	-	-	-	EZD5, QZSL	
36	19619-ZL8-300	COLLAR, FAN COVER	-	(1)	-	-	-	LXE5, LXQ5, QC55, QHB1, QHB1/A, QHB2, QHB2/A, QK45, QKA5, QXA5, QXB5, QXE5, QXQ5, SHMV, SME5, SMEJ, SMM, SWA5, SWD4, SX5, SXE5, SXQ5, VSD5, VWT5, VXB5	
37	18381-Z8S-801	GASKET, MUFFLER(ARRESTER) (THAI LEAKLESS)	-	1	-	-	-	LEAJ, LXE5, QA25, QC55, QK45, QKA5, QNG, QTG, QXB5, QXG, SCM5, SWA5, VSD5, VXB5, VXG	
	18381-ZE2-W10	GASKET, MUFFLER(ARRESTER) (NIPPON LEAKLESS)	-	1	-	-	-	LEAJ, LXE5, QA25, QC55, QK45, QKA5, QNG, QTG, QXB5, QXG, SCM5, SWA5, VSD5, VXB5, VXG	

2

E-16-3

MUFFLER(4)



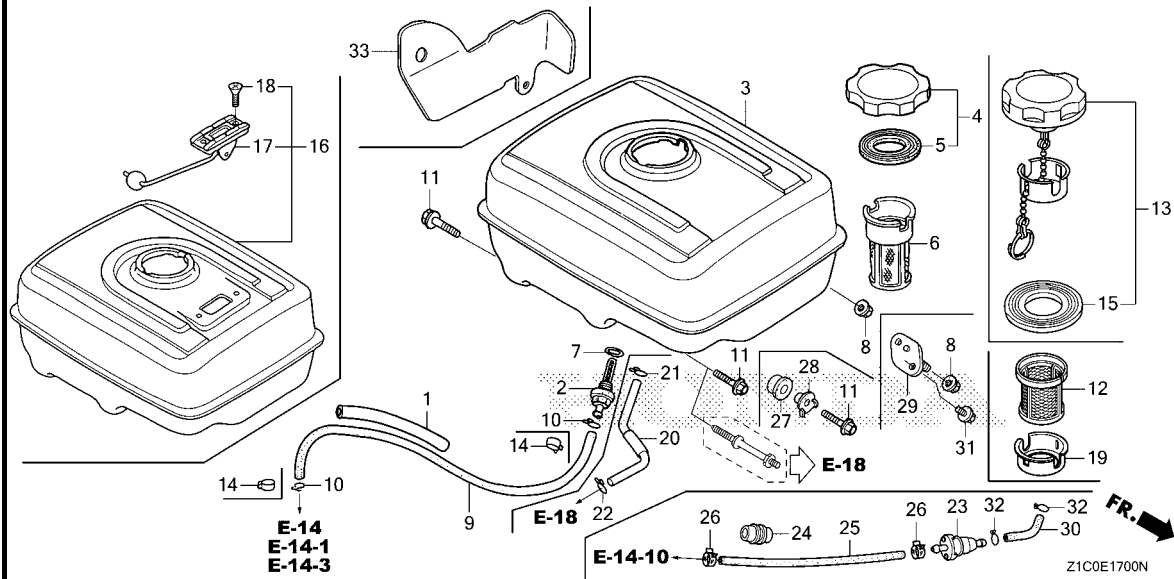
Z1C0E1603A

Ref. No.	L.O.N.	(Relative ref. Number) Description	F.R.T.
1	3131C5	MUFFLER, EXHAUST	0.2
2	3131H0	(3) PROTECTOR, EXHAUST MUFFLER :FRONT	0.2
4	3131C9	PIPE, EXHAUST	0.2
5	3131B5	GASKET, EXHAUST PIPE	0.2
6	3131G5	FLANGE, EXHAUST BAFFLE	0.2
7	3131B4	GASKET, EXHAUST MUFFLER	0.2

Ref. No.	Part No.	Description	Reqd. QTY					Serial No.	Parts catalogue code
			GX 390 T1	GX 390 T2	GX 390 T2X	GX 390 UT2	GX 390 UT2X		
1	18310-Z8T-010	MUFFLER COMP.	-	1	-	-	-	-	LWD1
2	18320-ZE3-H01	PROTECTOR, R. MUFFLER	-	1	-	-	-	-	LWD1
3	18325-ZE3-H00	PROTECTOR, L. MUFFLER	-	1	-	-	-	-	LWD1
4	18330-ZE2-000	PIPE, EX.	-	1	-	-	-	-	LWD1
5	18333-ZK6-Y00	GASKET, EX. PIPE	-	(1)	-	-	-	-	LWD1
	18333-ZE3-801	-	1	-	-	-	1445261	LWD1
	18333-Z1C-801	-	1	-	-	-	1445262	LWD1
6	18336-ZE3-000	FLANGE COMP., BAFFLE	-	1	-	-	-	-	LWD1
7	18381-Z1C-801	GASKET, MUFFLER(THAI LEAKLESS)	-	1	-	-	-	-	LWD1
8	90050-ZE1-000	SCREW, TAPPING, 5X8	-	2	-	-	-	-	LWD1
9	90050-ZE3-H00	SCREW, TAPPING, 5X8	-	6	-	-	-	-	LWD1
10	94050-08000	NUT, FLANGE, 8MM	-	5	-	-	-	-	LWD1

E-17

FUEL TANK(1)



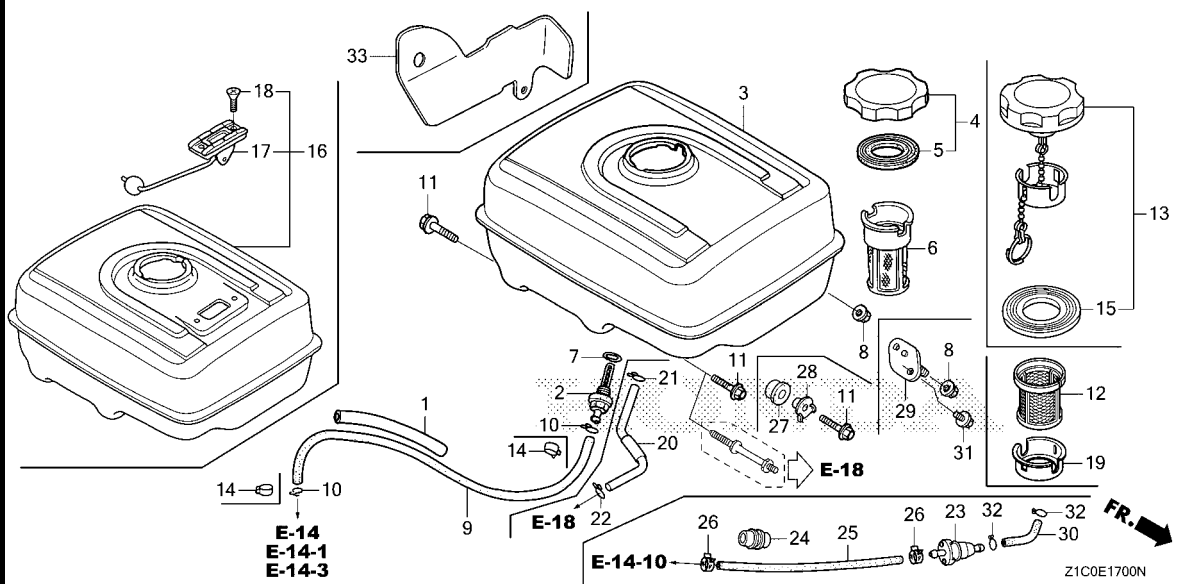
Ref. No.	L.O.N.	(Relative ref. Number) Description	F.R.T.
2		(7) 3101H6 JOINT, FUEL STRAINER	0.2
3		(16) 3101H7 TANK, FUEL	0.2
4		(5,13,15) 3101M7 CAP, FUEL FILLER	0.1
6		(12,19) 3101A6 FILTER, FUEL	0.1
9		(20,30) 3101F1 TUBE, FUEL TANK	0.2
17		6171A1 METER/GAUGE UNIT, FUEL	0.1
23		3101H8 STRAINER, FUEL	0.1
25		3101G0 TUBE, FUEL STRAINER	0.1

Ref. No.	Part No.	Description	Reqd. QTY					Serial No.	Parts catalogue code
			GX 390 T1	GX 390 T2	GX 390 T2X	GX 390 UT2	GX 390 UT2X		
1	16854-ZH8-000	RUBBER, SUPPORTER(107MM).....	1	1	1	1	1	-----	LBD, LBH, LBHB, LBHS, LBP, LH, LH2, LHB5, LHP1, LP, LT, LXE5, LXE8, LXE9, LXQ5, LXU, PKT5, PX, PXE5, PXE8, PXU, PXU5, QA2, QA25, QA26, QAA2, QAA5, QAA6, QAPW, QAPW/A, QBD, QBE1, QBE1/A, QBH, QBHS, QBHZ, QBL, QBL5, QBP, QBS, QBS1, QBT, QC1, QC2, QC55, QC95, QCT, QCWE, QH, QHB1, QHB1/A, QHB3, QHB5, QHP1, QHT, QHT1, QHTN, QK45, QKA5, QMAH, QMH, QN, QNR5, QP, QPW, QT, QTD, QTE, QTN, QX, QX5, QXA5, QXB5, QXE, QXE5, QXE8, QXEK, QXK, QXQ4, QXQ5, QXU, QXU5, QZSD, SC5, SCM5, SEM, SH, SHE, SHMV, SM11, SME5, SMEJ, SMM, SN, STCH, SWA5, SWD4, SWE, SWE2, SWSC, SWX, SWX2, SX, SX5, SXC, SXE, SXE5, SXE8, SXQ4, SXQ5, SZSK, VS15, VSD5, VSP, VSP/A, VX, VX8, VXB5, VXE, VXE8, VXX, VXX2, VXU1, VZKK, VZX
2	16955-ZE1-010	JOINT, FUEL TANK.....	-	-	-	1	-	-----	3128066 QMAH/A
	16955-ZE1-000	1	-	-	-	-	-----	LBH, LBHS, QMAH, VXX2 LXE8, LXU, PXE8, PXU, QA2, QA26, QAA2, QAA6, QXE8, QXQ4, QXU, SXE8, SXQ4, VX8, VXE8
			1	-	-	-	-	-----	1001765 LBHB, QBH, QBHS
			1	-	-	-	-	-----	1605273 LH, LH2, LHB5, LHP1, LP, LT, LXE9, PX, QAPW, QBE1, QBL5, QBS, QH, QHB1, QHB3, QHB5, QHP1, QMH, QN, QP, QT, QTD, QTN, QX, QXE, QXEK, QXK, SH, SHE, SN, SWE, SWE2, SWX, SWX2, SX, SXC, SXE, VSP, VX, VXE, VXX, VXU1



E-17

FUEL TANK(1)



Ref. No.	Part No.	Description	Reqd. QTY					Serial No.	Parts catalogue code
			GX 390 T1	GX 390 T2	GX 390 T2X	GX 390 UT2	GX 390 UT2X		
(2)	16955-ZE1-010	JOINT, FUEL TANK.....	1	-	-	-	-	1001766	----- LBHB, QBH, QBHS
			1	-	-	-	-	1605274	----- LH, LH2, LHB5, LHP1, LP, LT, LXE9, PX, QAPW, QBE1, QBLS, QBS, QH, QHB1, QHB3, QHB5, QHP1, QMH, QN, QP, QT, QTD, QTN, QX, QXE, QXEK, QXK, SH, SHE, SN, SWE, SWE2, SWX, SWX2, SX, SXC, SXE, VSP, VX, VXE, VXK, VXU1, LBD, LBH, LBHB, LBHS, LBP, LH, LH2, LHB5, LHP1, LXE5, LXE9, LXQ5, PKT5, PX, PXE5, PXU5, QA25, QAA5, QAPW, QAPW/A, QBD, QBE1, QBE1/A, QBH, QBHS, QBHZ, QBL, QBLS, QBP, QBS, QBS1, QBT, QC1, QC2, QC55, QC95, QCT, QCWE, QH, QHB1, QHB1/A, QHB2, QHB2/A, QHB3, QHB5, QHP1, QHT, QHT1, QHTN, QK45, QKA5, QMH, QN, QNR5, QP, QPW, QTD, QTE, QTN, QX, QX5, QXA5, QXB5, QXE, QXE5, QXEK, QXK, QXQ5, QXU5, QZSD, SC5, SCM5, SH, SHMV, SM11, SME5, SMEJ, STCH, SWA5, SWD4, SWE2, SWSC, SWX, SWX2, SX, SX5, SXC, SXE5, SXQ5, SZSK, VSD5, VSP, VSP/A, VX, VXB5, VXE, VXK, VXU1, VZKK, VZX
3	17510-Z1C-810ZA	TANK COMP., FUEL	-	-	-	1	-	3128066	----- QMAH/A
	NH31.....	MCKINLEY WHITE	1	-	-	-	-	-----	----- LBH, LBHB, LBHS, QBH, QBHS, QBLS, QBS
	17510-ZE3-030ZA	*NH31*.....	1	-	-	-	-	-----	----- LH2, QAPW, QBE1, QHB1, QTN, SWE2, SWX2, VXK2
	17510-ZE3-020ZA	*NH31*.....	1	-	-	-	-	-----	----- LXE8, LXU, PXE8, PXU, QA2, QA26, QAA2, QAA6, QXE8, QXQ4, QXU, SXE8, SXQ4, VX8, VXE8
	17510-ZE3-020ZB	*NH1*.....	1	-	-	-	-	-----	----- QA2, QAA2
	17510-ZE3-030ZB	*NH1*.....	1	-	-	-	-	-----	----- QAPW
	17510-ZE3-020ZA	*NH31*.....	1	-	-	-	-	1463865	----- LH, LHB5, LHP1, LP, LT, LXE9, PX, QH, QHB3, QHB5, QHP1, QMH, QN, QP, QT, QTD, QX, QXE, QXEK, QXK, SH, SHE, SN, SWE, SWX, SX, SXC, SXE, VSP, VX, VXE, VXK, VXU1
	17510-ZE3-030ZA	*NH31*.....	1	-	-	-	-	1463866	----- LH, LHB5, LHP1, LP, LT, LXE9, PX, QH, QHB3, QHB5, QHP1, QMH, QN, QP, QT, QTD, QX, QXE, QXEK, QXK, SH, SHE, SN, SWE, SWX, SX, SXC, SXE, VSP, VX, VXE, VXK, VXU1



E-17

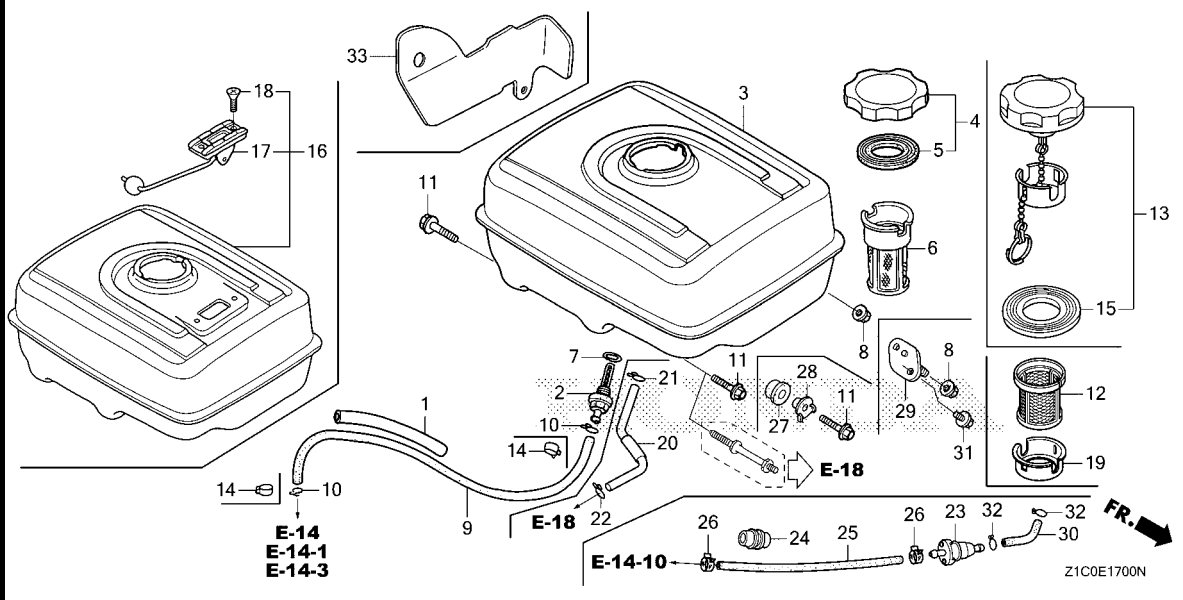
FUEL TANK(1)

Ref. No.	Part No.	Description	Reqd. QTY					Serial No.	Parts catalogue code
			GX 390 T1	GX 390 T2	GX 390 T2X	GX 390 UT2	GX 390 UT2X		
(3)	17510-Z5T-000ZA	TANK COMP., FUEL *NH1*.....BLACK	-	1	1	1	1	-----	LXE5, LXQ5, PKT5, PXE5, PXU5, QA25, QAA5, QAPW, QAPW/A, QC55, QC95, QK45, QKA5, QMAH, QNR5, QPW, QX5, QXA5, QXB5, QXE5, QXQ5, QXU5, QZSD, SC5, SCM5, SHMV, SM11, SME5, SMEJ, SWA5, SWD4, SX5, SXE5, SXQ5
	17510-Z5T-000ZB	*NH31*.....MCKINLEY WHITE	-	1	1	-	-	-----	LH, LH2, LHB5, LHP1, LXE5, LXE9, LXQ5, PX, PXE5, PXU5, QA25, QAA5, QAPW, QAPW/A, QBE1, QBE1/A, QC1, QC2, QC55, QC95, QCT, QCWE, QH, QHB1, QHB1/A, QHB2, QHB2/A, QHB3, QHB5, QHP1, QHT, QHT1, QHTN, QK45, QKA5, QMH, QN, QNR5, QP, QPW, QTD, QTE, QTN, QX, QX5, QXA5, QXB5, QXE, QXE5, QXEK, QXK, QXQ5, QXU5, QZSD, SC5, SCM5, SH, SM11, SME5, STCH, SWA5, SWE2, SWSC, SWX, SWX2, SX, SX5, SXC, SXE5, SXQ5, SZSK, VSP, VSP/A, VX, VXE, VXK, VXU1, VZKK, VZX
	17510-Z1C-820ZA	*NH31*.....MCKINLEY WHITE	-	1	-	-	-	-----	LBD, LBH, LBHB, LBHS, LBP, QBD, QBH, QBHS, QBHZ, QBL, QBL5, QBP, QBS, QBS1, QBT
	17510-Z5T-800ZA	*NH1*.....BLACK	-	1	-	-	-	-----	VSD5, VXB5
	17510-Z5T-800ZB	*NH31*.....MCKINLEY WHITE	-	1	-	-	-	-----	VSD5, VXB5
	17510-Z5T-000ZA	*NH1*.....BLACK	-	-	-	1	-	-----	3128066 QMAH/A
4	17620-Z0T-813	CAP COMP., FUEL FILLER (CHROME PLATED)(RADICON)	1	1	-	-	-	-----	LH, LH2, LHB5, LHP1, LP, LT, LXE8, LXE9, LXU, PKT5, PX, PXE8, PXU, QA2, QA26, QAA2, QAA6, QBE1, QBE1/A, QC1, QC2, QCT, QCWE, QH, QHB1, QHB1/A, QHB2, QHB2/A, QHB3, QHB5, QHP1, QHT, QHT1, QHTN, QMH, QN, QP, QT, QTD, QTE, QTN, QX, QXE, QXE8, QXEK, QXK, QXQ4, QXU, SH, SHE, SHMV, SM11, SN, STCH, SWE, SWE2, SWSC, SWX, SWX2, SX, SXC, SXE, SXE5, SXE8, SXQ4, VSP, VSP/A, VX, VX8, VXE, VXE8, VXK, VXK2, VXU1, VZKK, VZX
	17620-Z1T-800	CAP COMP., FUEL FILLER (CHROME PLATED)(TOYOSHA)	1	-	-	-	-	-----	VXK2
			1	-	-	-	1569829	-----	LH, LH2, LHB5, LHP1, LP, LT, LXE9, PX, QBE1, QH, QHB1, QHB3, QHB5, QHP1, QMH, QN, QP, QT, QTD, QTN, QX, QXE, QXEK, QXK, SH, SHE, SN, SWE, SWE2, SWX, SWX2, SX, SXC, SXE, VSP, VX, VXE, VXK, VXU1
			-	1	-	-	-	-----	LH, LH2, LHB5, LHP1, LXE9, PKT5, PX, QBE1, QBE1/A, QC1, QC2, QCT, QCWE, QH, QHB1, QHB1/A, QHB2, QHB2/A, QHB3, QHB5, QHP1, QHT, QHT1, QHTN, QMH, QN, QP, QTD, QTE, QTN, QX, QXE, QXEK, QXK, SH, SHMV, STCH, SWE2, SWSC, SWX, SWX2, SX, SXC, VSP, VSP/A, VX, VXE, VXK, VXU1, VZKK, VZX
	17620-Z0T-813	CAP COMP., FUEL FILLER (CHROME PLATED)(RADICON)	-	1	-	-	-	-----	1469643 QZSD
5	17631-Z0T-801	PACKING, FUEL FILLER CAP (39X62X3)(RADICON)	1	1	-	-	-	-----	LH, LH2, LHB5, LHP1, LP, LT, LXE8, LXE9, LXU, PKT5, PX, PXE8, PXU, QA2, QA26, QAA2, QAA6, QBE1, QBE1/A, QC1, QC2, QCT, QCWE, QH, QHB1, QHB1/A, QHB2, QHB2/A, QHB3, QHB5, QHP1, QHT, QHT1, QHTN, QMH, QN, QP, QT, QTD, QTE, QTN, QX, QXE, QXE8, QXEK, QXK, QXQ4, QXU, SH, SHE, SHMV, SM11, SN, STCH, SWE, SWE2, SWSC, SWX, SWX2, SX, SXC, SXE, SXE5, SXE8, SXQ4, VSP, VSP/A, VX, VX8, VXE, VXE8, VXK, VXK2, VXU1, VZKK, VZX
	17631-Z1T-800	PACKING, FUEL FILLER CAP (39X62X3)(TOYOSHA)	1	-	-	-	-	-----	VXK2
			1	-	-	-	1569829	-----	LH, LH2, LHB5, LHP1, LP, LT, LXE9, PX, QBE1, QH, QHB1, QHB3, QHB5, QHP1, QMH, QN, QP, QT, QTD, QTN, QX, QXE, QXEK, QXK, SH, SHE, SN, SWE, SWE2, SWX, SWX2, SX, SXC, SXE, VSP, VX, VXE, VXK, VXU1
			-	1	-	-	-	-----	LH, LH2, LHB5, LHP1, LXE9, PKT5, PX, QBE1, QBE1/A, QC1, QC2, QCT, QCWE, QH, QHB1, QHB1/A, QHB2, QHB2/A, QHB3, QHB5, QHP1, QHT, QHT1, QHTN, QMH, QN, QP, QTD, QTE, QTN, QX, QXE, QXEK, QXK, SH, SHMV, STCH, SWE2, SWSC, SWX, SWX2, SX, SXC, VSP, VSP/A, VX, VXE, VXK, VXU1, VZKK, VZX
	17631-Z0T-801	PACKING, FUEL FILLER CAP (39X62X3)(RADICON)	-	1	-	-	-	-----	1469643 QZSD
6	17672-ZE2-W01	FILTER, FUEL.....	1	1	-	-	-	-----	LHB5, LT, PKT5, QA2, QA26, QAA2, QAA6, QC1, QCT, QCWE, QHB3, QHB5, QHT, QHT1, QHTN, QN, QP, QT, QTD, QTE, QTN, SHMV, SM11, STCH, SWSC, SWX, SWX2, SXC



E-17

FUEL TANK(1)



Ref. No.	Part No.	Description	Reqd. QTY					Serial No.	Parts catalogue code
			GX 390 T1	GX 390 T2	GX 390 T2X	GX 390 UT2	GX 390 UT2X		
7	91353-671-004	O-RING, 14MM(NOK)	1	1	1	1	1	-----	LBD, LBH, LBHB, LBHS, LBP, LH, LH2, LHB5, LHP1, LP, LT, LXE5, LXE8, LXE9, LXQ5, LXU, PKT5, PX, PXE5, PXE8, PXU, PXU5, QA2, QA25, QA26, QAA2, QAA5, QAA6, QAPW, QAPW/A, QBD, QBE1, QBE1/A, QBH, QBHS, QBHZ, QBL, QBL5, QBP, QBS, QBS1, QBT, QC1, QC2, QC55, QC95, QCT, QCWE, QH, QHB1, QHB1/A, QHB2, QHB2/A, QHB3, QHB5, QHP1, QHT, QHT1, QHTN, QK45, QKA5, QMAH, QMH, QN, QNR5, QP, QPW, QT, QTD, QTE, QTN, QX, QX5, QXA5, QXB5, QXE, QXE5, QXE8, QXEK, QXK, QXQ4, QXQ5, QXU, QXU5, QZSD, SC5, SCM5, SH, SHE, SHMV, SM11, SME5, SMEJ, SN, STCH, SWA5, SWD4, SWE, SWE2, SWSC, SWX, SWX2, SX, SX5, SXC, SXE, SXE5, SXE8, SXQ4, SXQ5, SZSK, VSD5, VSP, VSP/A, VX, VX8, VXB5, VXE, VXE8, VXX, VXX2, VXU1, VZKK, VZX
8	94050-08000	NUT, FLANGE, 8MM	-	-	-	1	-	-----	3128066 QMAH/A
			-	-	-	2	-	-----	3128066 QMAH/A



E-17

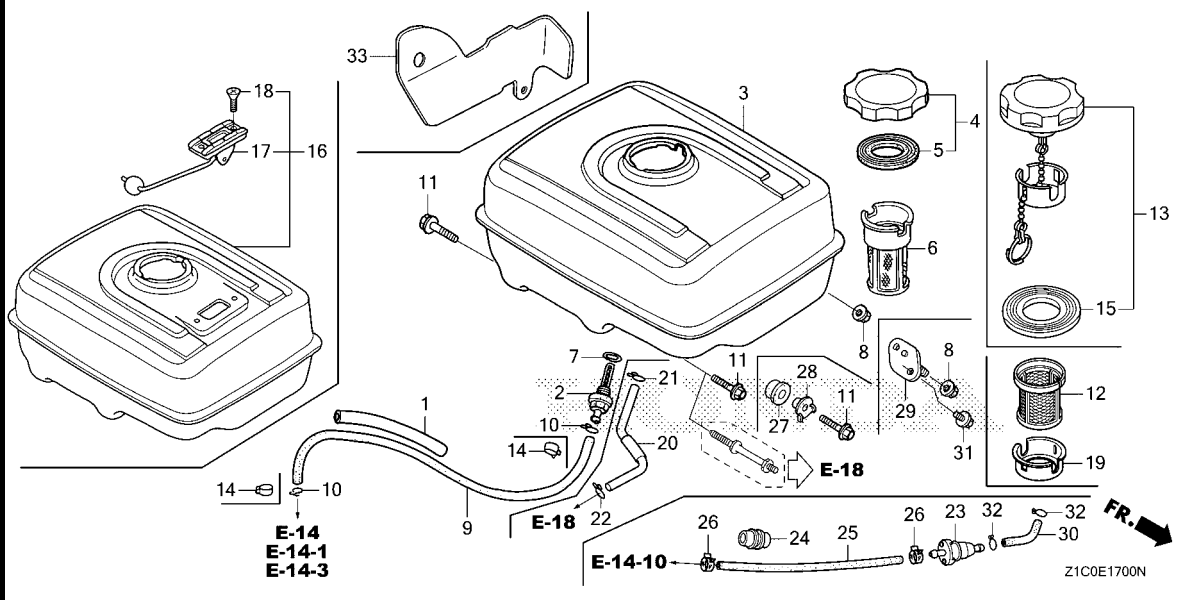
FUEL TANK(1)

Ref. No.	Part No.	Description	Reqd. QTY					Serial No.	Parts catalogue code
			GX 390 T1	GX 390 T2	GX 390 T2X	GX 390 UT2	GX 390 UT2X		
9	95001-45235-40	TUBE, FUEL, 4.5X235 (95001-45001-60M)	1	1	-	-	-	LBD, LBH, LBHB, LBHS, LBP, LH, LH2, LHB5, LHP1, LP, LT, LXE8, LXE9 LXU, PKT5, PX, PXE8, PXU, QA2, QA26, QAA2, QAA6, QBD, QBH, QBHS, QBHZ QBL, QBL5, QBP, QBS, QBS1, QBT, QC1, QC2, QCT, QCWE, QH, QHB3, QHB5 QHP1, QHT, QHT1, QHTN, QMH, QN, QP, QT, QTD, QTE, QTN, QX, QXE, QXE8 QXEK, QXK, QXQ4, QXU, SEM, SH, SHE, SHMV, SM11, SMEJ, SMM, SN, STCH SWD4, SWE, SWE2, SWSC, SWX, SWX2, SX, SXC, SXE, SXE8, SXQ4, VSP VSP/A, VX, VX8, VXE, VXE8, VXX, VXX2, VXU1, VZKK, VZX	
	91424-Z5L-802	TUBE, FUEL, 4.5X235(FKM).....	1	-	-	-	-	QAPW, QBE1, QHB1	
	91424-Z5T-003	-	1	-	1	-	QAPW, QBE1, QHB1, QMAH	
	91424-Z4J-812	TUBE, FUEL, 4.5X300(FKM).....	-	1	-	-	-	VEP5	
	91424-ZBH-801	TUBE, FUEL, 4.2X180(FKM).....	-	1	-	-	-	VPX5	
	91424-ZBH-851	TUBE, FUEL, 4.2X235(FKM).....	-	1	-	-	-	VWC5, VWE5	
	91424-Z5T-003	TUBE, FUEL, 4.5X235(FKM).....	-	1	-	-	2134850	LXE5, LXQ5, PXE5, PXU5, QA25, QAA5, QAPW/A, QBE1/A, QC55, QC95 QHB1/A, QK45, QKA5, QNR5, QPW, QX5, QXA5, QXB5, QXE5, QXQ5, QXU5 QZSD, SC5, SCM5, SME5, SWA5, SX5, SXE5, SXQ5, VSD5, VXB5	
	91424-Z5T-013	-	1	-	-	2204954	SZSK	
	91424-Z5T-013	-	1	-	-	2134851	LXE5, LXQ5, PXE5, PXU5, QA25, QAA5, QAPW/A, QBE1/A, QC55, QC95 QHB1/A, QK45, QKA5, QNR5, QPW, QX5, QXA5, QXB5, QXE5, QXQ5, QXU5 QZSD, SC5, SCM5, SME5, SWA5, SX5, SXE5, SXQ5, VSD5, VXB5	
	91424-Z5T-003	-	1	-	-	2204955	SZSK	
	91424-Z5T-003	-	-	1	1	3128066	QAPW, QMAH QMAH/A	
10	95002-02080	CLIP, TUBE(B8).....	2	2	-	-	-	LBD, LBH, LBHB, LBHS, LBP, LH, LH2, LHB5, LHP1, LP, LT, LXE8, LXE9 LXU, PKT5, PX, PXE8, PXU, QA2, QA26, QAA2, QAA6, QBD, QBH, QBHS, QBHZ QBL, QBL5, QBP, QBS, QBS1, QBT, QC1, QC2, QCT, QCWE, QH, QHB3, QHB5 QHP1, QHT, QHT1, QHTN, QMH, QN, QP, QT, QTD, QTE, QTN, QX, QXE, QXE8 QXEK, QXK, QXQ4, QXU, SEM, SH, SHE, SHMV, SM11, SMEJ, SMM, SN, STCH SWD4, SWE, SWE2, SWSC, SWX, SWX2, SX, SXC, SXE, SXE8, SXQ4, VSP VSP/A, VX, VX8, VXE, VXE8, VXX, VXX2, VXU1, VZKK, VZX	
11	95701-08025-00	BOLT, FLANGE, 8X25.....	2	-	2	2	2	LBH, LBHB, LBHS, LH, LH2, LHB5, LHP1, LP, LT, LXE8, LXE9, LXU, PX PXE8, PXU, QA2, QA26, QAA2, QAA6, QAPW, QBE1, QBH, QBHS, QBL5, QBS QH, QHB1, QHB3, QHB5, QHP1, QMAH, QMH, QN, QP, QT, QTD, QTN, QX, QXE QXE8, QXEK, QXK, QXQ4, QXU, SH, SHE, SN, SWE, SWE2, SWX, SWX2, SX, SXC SXE, SXE8, SXQ4, VSP, VX, VX8, VXE, VXE8, VXX, VXX2, VXU1	
	95701-08028-00	BOLT, FLANGE, 8X28.....	-	2	-	-	-	LBD, LBH, LBHB, LBHS, LBP, LH, LH2, LHB5, LHP1, LXE5, LXE9, LXQ5 PKT5, PX, PXE5, PXU5, QA25, QAA5, QAPW, QAPW/A, QBD, QBE1, QBE1/A QBH, QBHS, QBHZ, QBL, QBL5, QBP, QBS, QBS1, QBT, QC1, QC2, QC55, QC95 QCT, QCWE, QH, QHB1, QHB1/A, QHB3, QHB5, QHP1, QHT, QHT1, QHTN, QK45 QKA5, QMH, QN, QNR5, QP, QPW, QTD, QTE, QTN, QX, QX5, QXA5, QXB5, QXE QXE5, QXEK, QXK, QXQ5, QXU5, QZSD, SC5, SCM5, SH, SHMV, SM11, SME5 SMEJ, STCH, SWA5, SWE2, SWSC, SWX, SWX2, SX, SX5, SXC, SXE5, SXQ5 SZSK, VSD5, VSP, VSP/A, VX, VXB5, VXE, VXX, VXU1, VZKK, VZX	
	95701-08025-00	BOLT, FLANGE, 8X25.....	-	-	-	2	3128066	QHB2, QHB2/A SWD4 QMAH/A	
12	17672-Z4H-000	FILTER, FUEL.....	1	-	-	1	1	LBH, LBHB, LBHS, QAPW, QBH, QBHS, QBL5, QBS, QMAH	
	17670-Z1C-R60	FILTER COMP., FUEL.....	-	1	-	-	-	LBD, LBH, LBHB, LBHS, LBP, QA25, QBD, QBH, QBHS, QBHZ, QBL, QBL5, QBP QBS, QBS1, QBT, QK45, QNR5, SC5, SCM5, SMEJ, SX5, SZSK	
	17672-Z4H-000	FILTER, FUEL.....	-	1	-	-	1469643	QHB2, QHB2/A QZSD	
	17672-Z4H-000	FILTER, FUEL.....	-	-	-	1	3128066	QMAH/A	
13	17620-Z0T-820	CAP COMP., FUEL FILLER (CHROME PLATED)	1	1	-	-	-	LBD, LBH, LBHB, LBHS, LBP, QBD, QBH, QBHS, QBHZ, QBL, QBL5, QBP, QBS QBS1, QBT, SMEJ, SZSK	
	17620-Z4H-020	CAP COMP., FUEL FILLER.....	1	-	-	-	-	QAPW	
	17620-Z4H-911	-	1	-	-	-	SWD4	



E-17

FUEL TANK(1)



Ref. No.	Part No.	Description	Reqd. QTY					Serial No.	Parts catalogue code
			GX 390 T1	GX 390 T2	GX 390 T2X	GX 390 UT2	GX 390 UT2X		
13)	17620-Z4H-020	CAP COMP., FUEL FILLER.....	-	1	-	-	-	1211806	QAPW
	17620-Z4H-900	-	1	-	-	-	1469642	QZSD
			-	1	-	-	-	2141902	LXE5, LXQ5, PXE5, PXU5, QA25, QAA5, QAPW/A, QC55, QC95, QK45, QKA5, QNR5, QPW, QX5, QXA5, QXB5, QXE5, QXQ5, QXU5, SC5, SCM5, SME5, SWA5, SX5, SXQ5, VSD5, VXB5
	17620-Z4H-030	-	1	-	-	1211807	1438734	QAPW
	17620-Z4H-900	-	1	-	-	1438735	-----	QAPW
	17620-Z4H-910	-	1	-	-	2141903	-----	LXE5, LXQ5, PXE5, PXU5, QA25, QAA5, QAPW/A, QC55, QC95, QK45, QKA5, QNR5, QPW, QX5, QXA5, QXB5, QXE5, QXQ5, QXU5, SC5, SCM5, SME5, SWA5, SX5, SXQ5, VSD5, VXB5
	17620-Z4H-920	-	1	-	-	2239411	-----	LXE5, LXQ5, PXE5, PXU5, QA25, QAA5, QC55, QC95, QK45, QKA5, QNR5, QPW, QX5, QXA5, QXB5, QXE5, QXQ5, QXU5, SC5, SCM5, SME5, SWA5, SWD4, SX5, SXQ5, VSD5, VXB5
	17620-Z4H-900	-	-	1	-	-----	-----	QAPW, QMAH
			-	-	1	-	-----	-----	QMAH
	17620-Z4H-910	-	-	1	-	3354753	-----	QMAH/A
	17620-Z4H-910	-	-	1	-	3354754	-----	QMAH/A
14	95002-40800-08	CLAMP, TUBE(D8).....	2	2	2	2	2	-----	LXE5, LXQ5, PXE5, PXU5, QA25, QAA5, QAPW, QAPW/A, QBE1, QBE1/A, QC55, QC95, QHB1, QHB1/A, QK45, QKA5, QMAH, QNR5, QPW, QX5, QXA5, QXB5, QXE5, QXQ5, QXU5, QZSD, SC5, SCM5, SME5, SWA5, SX5, SXE5, SXQ5, SZSK, VSD5, VXB5
			-	-	-	2	-	3128066	QMAH/A
15	17631-Z0T-801	PACKING, FUEL FILLER CAP (39X62X3)(RADICON)	1	1	1	1	1	-----	LXE5, LXQ5, PXE5, PXU5, QA25, QAA5, QAPW, QAPW/A, QC55, QC95, QK45, QKA5, QMAH, QNR5, QPW, QX5, QXA5, QXB5, QXE5, QXQ5, QXU5, SC5, SCM5, SME5, SWA5, SX5, SXQ5, VSD5, VXB5



E-17

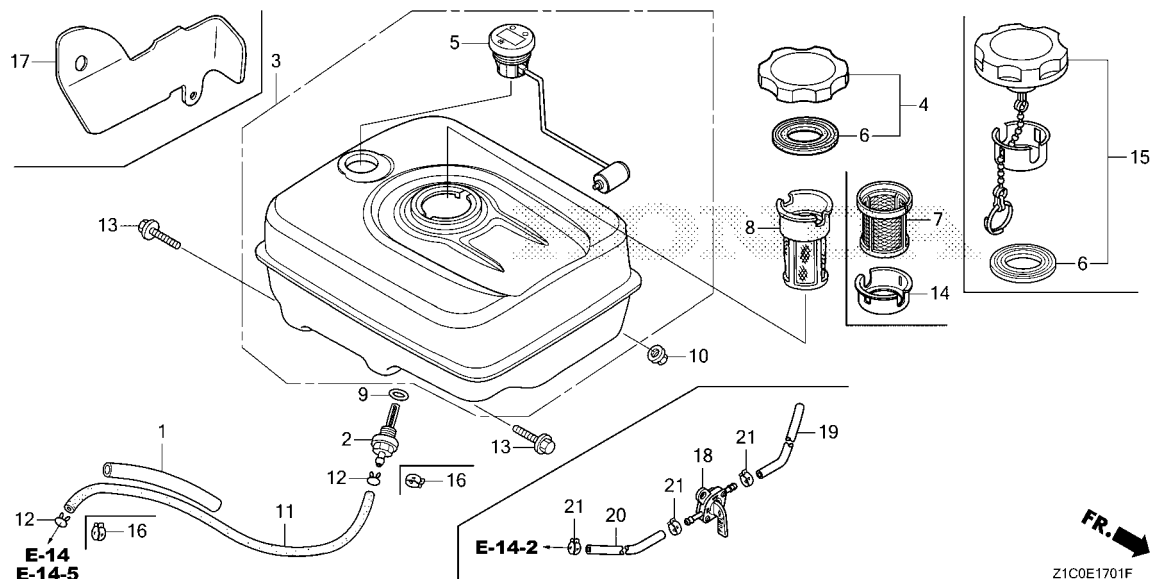
FUEL TANK(1)

Ref. No.	Part No.	Description	Reqd. QTY					Serial No.	Parts catalogue code
			GX 390 T1	GX 390 T2	GX 390 T2X	GX 390 UT2	GX 390 UT2X		
15)	17631-Z1T-800	PACKING, FUEL FILLER CAP (39X62X3)(TOYOSHA)	1	1	-	1	-	-----	LBD, LBH, LBHB, LBHS, LBP, LXE5, LXQ5, PXE5, PXU5, QA25, QAA5 QAPW/A, QBD, QBH, QBHS, QBHZ, QBL, QBL5, QBP, QBS, QBS1, QBT, QC55 QC95, QK45, QKA5, QMAH, QNR5, QPW, QX5, QXA5, QXB5, QXE5, QXQ5, QXU5 SC5, SCM5, SME5, SMEJ, SWA5, SX5, SXE5, SXQ5, SZSK, VSD5, VXB5
	17631-Z0T-801	PACKING, FUEL FILLER CAP (39X62X3)(RADICON)	-	2	-	-	-	-----	SWD4
			-	1	-	-	-	-----	1469642 QZSD
			-	-	-	1	-	-----	3128066 QMAH/A
	17631-Z1T-800	PACKING, FUEL FILLER CAP (39X62X3)(TOYOSHA)	-	-	-	1	-	-----	3128066 QMAH/A
16	17500-ZE3-813ZA	TANK ASSY., FUEL(GAUGE)	-	-	-	-	-	-----	
		NH31.....MCKINLEY WHITE	-	1	-	-	-	-----	1271915 LTK1, LWD, LWP1, SJG
	17500-ZE3-813ZC	*NH1*.....BLACK	-	1	-	-	-	-----	1271915 LTK1, LWD, LWP1, SJG
	17500-ZE3-813ZF	*R280*.....POWER RED	-	1	-	-	-	-----	1271915 LWD1
17	17630-Z1C-003	METER ASSY., FUEL	-	1	-	-	-	-----	1271915 LTK1, LWD, LWD1, LWP1, SJG
18	93600-05010-0A	SCREW, FLAT, 5X10	-	2	-	-	-	-----	1271915 LTK1, LWD, LWD1, LWP1, SJG
19	17636-Z4H-010	GAUGE, FUEL LEVEL	-	1	-	-	-	-----	1469643 QHB2, QHB2/A
			-	1	-	-	-	-----	QZSD
20	16852-Z1C-R60	TUBE, FUEL TANK	-	1	-	-	-	-----	QHB2, QHB2/A
21	95002-02080	CLIP, TUBE(B8)	-	1	-	-	-	-----	QHB2, QHB2/A
22	95002-02100	CLIP, TUBE(B10)	-	1	-	-	-	-----	QHB2, QHB2/A
23	16910-GB2-005	STRAINER COMP., FUEL	-	1	-	-	-	-----	VPX5, VPXP, VPXP/A, VXEH, VXH
	16910-ZE8-015	-	1	-	-	-	-----	VS15
24	90854-ZB3-000	RUBBER, FUEL(9X15X20)	-	1	-	-	-	-----	VPX5, VPXP, VPXP/A, VXEH, VXH
25	91424-ZBC-811	TUBE, FUEL, 4.2X120(FKM)	-	1	-	-	-	-----	VPXP
	91424-Z5S-804	TUBE, FUEL, 4.2X250(FKM)	-	1	-	-	-	-----	VSEP
	91424-ZBC-811	TUBE, FUEL, 4.2X120(FKM)	-	1	-	-	-	-----	2132764 VPXP/A, VXEH, VXH
	91424-Z5S-803	TUBE, FUEL, 4.2X250(FKM)	-	1	-	-	-	-----	2204954 VS15
	91424-ZBC-812	TUBE, FUEL, 4.2X120(FKM)	-	1	-	-	-	-----	2132765 VPXP/A, VXEH, VXH
	91424-Z5S-804	TUBE, FUEL, 4.2X250(FKM)	-	1	-	-	-	-----	2204955 VS15
26	95002-40800-08	CLAMP, TUBE(D8)	-	2	-	-	-	-----	VPX5, VPXP, VPXP/A, VS15, VXEH, VXH
			-	1	-	-	-	-----	VSEP
27	17532-ZK6-881	RUBBER A, TANK MOUNTING	-	2	-	-	-	-----	VSD5, VXB5
28	17534-ZK6-881	NUT, TANK MOUNTING	-	2	-	-	-	-----	VSD5, VXB5
29	17536-ZK6-880	RUBBER COMP., TANK MOUNTING	-	2	-	-	-	-----	VSD5, VXB5
30	17701-Z5S-U32	TUBE, FUEL, 6.3X50(FKM)	-	1	-	-	-	-----	2204954 VS15
	17701-Z5S-U33	-	1	-	-	-	-----	2204955 VS15
31	90008-ZE2-003	BOLT, FLANGE, 6X10	-	4	-	-	-	-----	VSD5, VXB5
32	95002-41050-08	CLAMP, TUBE(D10.5)	-	2	-	-	-	-----	VS15
33	19718-ZE3-H60	COVER, SNOW PLATE	-	1	-	-	-	-----	SWD4



E-17-1

FUEL TANK(2)



Ref. No.	L.O.N.	(Relative ref. Number) Description	F.R.T.
2	(9)	3101H6 JOINT, FUEL STRAINER	0.2
3	(6,15)	3101H7 TANK, FUEL	0.2
4	(7,14)	3101M7 CAP, FUEL FILLER	0.1
5	(7,14)	6171A1 METER/GAUGE UNIT, FUEL	0.1
8	(20)	3101A6 FILTER, FUEL	0.1
11		3101F1 TUBE, FUEL TANK	0.2
18		3101A3 COCK, FUEL	0.2

Ref. No.	Part No.	Description	Reqd. QTY					Serial No.	Parts catalogue code
			GX 390 T1	GX 390 T2	GX 390 T2X	GX 390 UT2	GX 390 UT2X		
1	16854-ZH8-000	RUBBER, SUPPORTER(107MM).....	-	1	-	1	1	-----	LEAJ, LTK1, LWD, LWD1, LWP1, SC15, SCC, SJG, SWDH, SWDL
2	16955-ZE1-010	JOINT, FUEL TANK.....	-	1	-	1	1	-----	3128067 ----- QMAH/A
3	17500-Z5T-810ZC	TANK ASSY., FUEL(GAUGE)	-	-	-	1	-	-----	3128067 ----- QMAH/A
	17500-Z5T-810ZB	*NH1*.....BLACK	-	1	-	1	-	-----	LEAJ, LFU, LTK1, LWD, LWP1, SC15, SJG, SWDH, SWDL
	17500-Z5T-810ZE	*R280*.....POWER RED	-	1	-	-	-	-----	LFU, LTK1, LWD, LWP1, SC15, SCC, SJG
	17500-Z5T-810ZC	*NH1*.....BLACK	-	-	-	1	-	-----	LWD1
	17500-Z5T-811ZC	*NH1*.....BLACK	-	-	-	-	1	-----	3128067 ----- QMAH/A
	17500-Z5T-811ZB	*NH31*.....MCKINLEY WHITE	-	-	-	-	1	-----	LFU
4	17620-Z1T-800	CAP COMP., FUEL FILLER (CHROME PLATED)(TOYOSHA)	-	1	-	-	-	-----	LFU, SCC
	17620-Z0T-813	CAP COMP., FUEL FILLER (CHROME PLATED)(RADICON)	-	1	-	-	-	-----	LEAJ
	17620-Z0T-814	CAP COMP., FUEL FILLER (CHROME PLATED)(TOYOSHA)	-	1	-	-	-	-----	LEAJ, LTK1, LWD, LWP1, SJG
	17620-Z0T-813	CAP COMP., FUEL FILLER (CHROME PLATED)(RADICON)	-	1	-	-	-	-----	1275316 LWD1
5	17630-Z5T-003	GAUGE ASSY., FUEL	-	1	-	1	1	-----	1275317 ----- LWD1
			-	-	-	1	-	-----	LEAJ, LFU, LTK1, LWD, LWD1, LWP1, SC15, SCC, SJG, SWDH, SWDL
6	17631-Z0T-801	PACKING, FUEL FILLER CAP (39X62X3)(RADICON)	-	1	-	1	1	-----	3128067 ----- QMAH/A
	17631-Z1T-800	PACKING, FUEL FILLER CAP (39X62X3)(TOYOSHA)	-	1	-	1	-	-----	LEAJ, LFU, LTK1, LWD, LWP1, SC15, SCC, SJG, SWDH, SWDL
	17631-Z0T-812	-	1	-	-	-	-----	LEAJ, LFU, SC15, SCC, SWDH, SWDL
			-	1	-	-	-	-----	1275316 LWD1

E-17-1

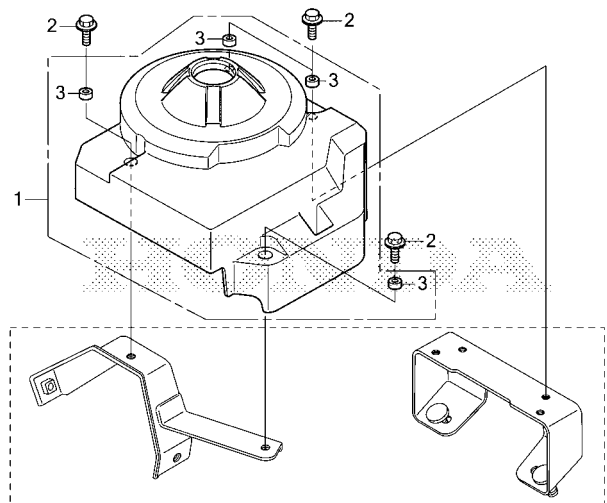
FUEL TANK(2)

Ref. No.	Part No.	Description	Reqd. QTY					Serial No.	Parts catalogue code
			GX 390 T1	GX 390 T2	GX 390 T2X	GX 390 UT2	GX 390 UT2X		
(6)	17631-Z0T-801	PACKING, FUEL FILLER CAP (39X62X3)(RADICON)	-	1	-	-	-	1275317 -----	LWD1
			-	-	-	1	-	3128067 -----	QMAH/A
	17631-Z1T-800	PACKING, FUEL FILLER CAP (39X62X3)(TOYOSHA)	-	-	-	1	-	3128067 -----	QMAH/A
7	17672-Z4H-000	FILTER, FUEL	-	1	-	1	1	-----	LFU, LTK1, SC15, SCC, SWDH
			-	1	-	-	-	2094935 -----	SWDL
			-	-	-	1	-	3128067 -----	QMAH/A
8	17672-ZE2-W01	FILTER, FUEL	-	1	-	-	-	-----	LEAJ, LWD, LWP1, SJG
9	91353-671-004	O-RING, 14MM(NOK)	-	1	-	1	1	-----	LEAJ, LFU, LTK1, LWD, LWD1, LWP1, SC15, SCC, SJG, SWDH, SWDL
			-	-	-	1	-	3128067 -----	QMAH/A
10	94050-08000	NUT, FLANGE, 8MM	-	2	-	2	2	-----	LEAJ, LFU, LTK1, LWD, LWD1, LWP1, SC15, SCC, SJG, SWDH, SWDL
			-	-	-	2	-	3128067 -----	QMAH/A
11	95001-45235-40	TUBE, FUEL, 4.5X235 (95001-45001-60M)	-	1	-	-	-	-----	LEAJ, LTK1, LWD, LWD1, LWP1, SJG, SWDH, SWDL
	91424-Z5T-003	TUBE, FUEL, 4.5X235(FKM)	-	1	-	-	-	2134850 -----	SC15
	91424-Z5T-013	-	1	-	-	-	2134851 -----	SC15
	91424-Z5T-003	-	-	-	1	-	-----	SCC
			-	-	-	1	-	3128067 3300148	QMAH/A
	91424-Z5T-013	-	-	-	1	-	3300149 -----	QMAH/A
			-	-	-	1	-	-----	SCC
12	95002-02080	CLIP, TUBE(B8)	-	2	-	-	-	-----	LEAJ, LTK1, LWD, LWD1, LWP1, SJG, SWDH, SWDL
13	95701-08025-00	BOLT, FLANGE, 8X25	-	2	-	2	2	-----	LEAJ, LFU, LTK1, LWD, LWP1, SC15, SCC, SJG
	95701-08028-00	BOLT, FLANGE, 8X28	-	2	-	-	-	-----	LWD1, SWDH, SWDL
	95701-08025-00	BOLT, FLANGE, 8X25	-	-	-	2	-	3128067 -----	QMAH/A
14	17636-Z4H-010	GAUGE, FUEL LEVEL	-	1	-	-	-	-----	LTK1
15	17620-Z4H-900	CAP COMP., FUEL FILLER	-	1	-	-	-	2141902 -----	SC15, SWDH, SWDL
	17620-Z4H-920	-	1	-	-	-	2239411 -----	SC15, SWDH, SWDL
	17620-Z4H-900	-	-	-	1	-	3316209 -----	LFU
			-	-	-	1	-	3354753 -----	SCC
			-	-	-	1	-	3128067 -----	QMAH/A
	17620-Z4H-910	-	-	-	1	-	3316210 -----	LFU
	17620-Z4H-920	-	-	-	1	-	3354754 -----	SCC
			-	-	-	1	-	-----	LFU, SCC
16	95002-40800-08	CLAMP, TUBE(D8)	-	2	-	1	1	-----	LFU, SC15
			-	-	-	2	2	-----	SCC
			-	-	-	2	-	3128067 -----	QMAH/A
17	19718-ZE3-H60	COVER, SNOW PLATE	-	1	-	-	-	-----	SWDH, SWDL
18	16960-YA0-015	COCK ASSY., FUEL(DRAIN)	-	-	-	1	1	-----	LFU
19	91424-Z9K-811	TUBE, FUEL, 4.2X110(FKM)	-	-	-	1	-	3316209 -----	LFU
	91424-Z9K-812	-	-	-	1	-	3316210 -----	LFU
			-	-	-	1	-	-----	LFU
20	91424-ZBC-811	TUBE, FUEL, 4.2X120(FKM)	-	-	-	1	-	3316209 -----	LFU
	91424-ZBC-812	-	-	-	1	-	3316210 -----	LFU
			-	-	-	1	-	-----	LFU
21	95002-40800-08	CLAMP, TUBE(D8)	-	-	-	3	3	-----	LFU



E-17-10

ZERO GOVERNOR COVER



E-17-20



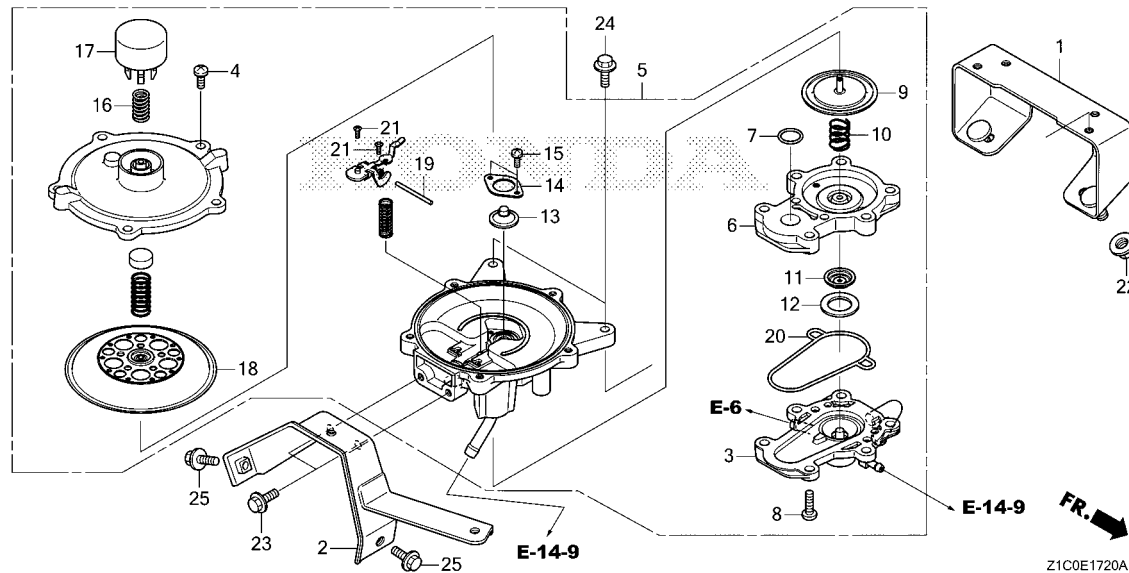
Z1C0E1710A

Ref. No.	L.O.N.	(Relative ref. Number) Description	F.R.T.
1	4141AS	COVER, ZERO GOVERNOR	0.1

Ref. No.	Part No.	Description	Reqd. QTY					Serial No.	Parts catalogue code
			GX 390 T1	GX 390 T2	GX 390 T2X	GX 390 UT2	GX 390 UT2X		
1	16533-Z0V-890	COVER, ZERO GOVERNOR.....	-	1	-	-	-	-----	QNG,QTG,QXG,VXG
2	90005-ZM3-000	BOLT, FLANGE, 5X18.....	-	4	-	-	-	-----	QNG,QTG,QXG,VXG
3	91502-ZDJ-000	COLLAR, 9.5X6.....	-	4	-	-	-	-----	QNG,QTG,QXG,VXG

E-17-20

ZERO GOVERNOR



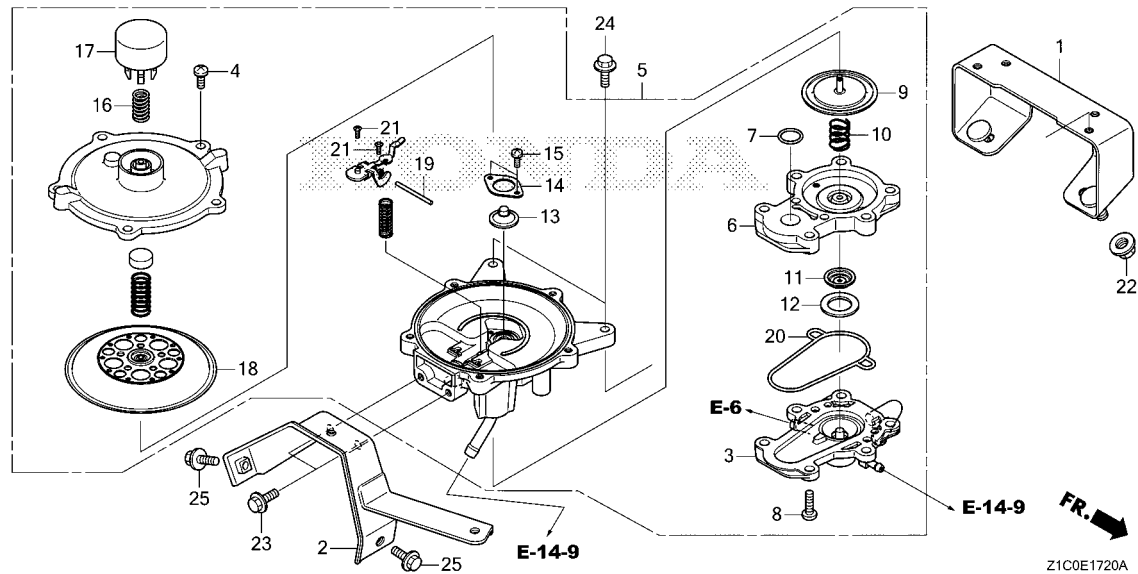
Ref. No.	L.O.N.	(Relative ref. Number) Description	F.R.T.
3		(11,12,20)	
3101AA		COVER, SHUT-OFF VALVE	0.5
5	3101Z7	GOVERNOR, ZERO	0.2
6		(7,9,10)	
3101Z9		BODY, SHUT-OFF VALVE	0.5
13	3111Y1	DIAPHRAGM, SHUT-OFF VALVE	0.2
18		(16,17)	
3101AB		DIAPHRAGM, ZERO GOVERNOR	0.1

Ref. No.	Part No.	Description	Reqd. QTY					Serial No.	Parts catalogue code
			GX 390 T1	GX 390 T2	GX 390 T2X	GX 390 UT2	GX 390 UT2X		
1	16320-Z1C-890	STAY COMP. A, ZERO GOVERNOR..	-	1	-	-	-	-----	QNG, QTG, QXG, VXG
2	16330-Z1C-890	STAY COMP. B, ZERO GOVERNOR..	-	1	-	-	-	-----	QNG, QTG, QXG, VXG
3	16358-Z0V-882	COVER ASSY., SHUTOFF VALVE...	-	1	-	-	-	-----	QNG, QXG, VXG
4	16363-ZN4-A92	SCREW	-	5	-	-	-	-----	QNG, QTG, QXG, VXG
5	16380-Z1C-882	GOVERNOR ASSY., ZERO	-	1	-	-	-	-----	QNG, QXG, VXG
	16380-Z1C-892	-	1	-	-	-	-----	QTG
6	16382-Z0V-892	BODY ASSY., SHUTOFF VALVE	-	1	-	-	-	-----	QNG, QTG, QXG, VXG
7	16383-Z0V-892	O-RING	-	1	-	-	-	-----	QNG, QTG, QXG, VXG
8	16384-Z0V-892	SCREW	-	6	-	-	-	-----	QNG, QTG, QXG, VXG
9	16385-Z0V-892	DIAPHRAGM ASSY.	-	1	-	-	-	-----	QNG, QTG, QXG, VXG
10	16386-Z0V-892	SPRING	-	1	-	-	-	-----	QNG, QTG, QXG, VXG
11	16387-Z0V-892	DIAPHRAGM, VALVE	-	1	-	-	-	-----	QNG, QTG, QXG, VXG
12	16388-Z0V-892	RETAINER, DIAPHRAGM	-	1	-	-	-	-----	QNG, QTG, QXG, VXG
13	16389-Z0V-892	DIAPHRAGM, VALVE	-	1	-	-	-	-----	QNG, QTG, QXG, VXG
14	16390-Z0V-892	RETAINER, DIAPHRAGM	-	1	-	-	-	-----	QNG, QTG, QXG, VXG
15	16391-Z0V-892	SCREW	-	2	-	-	-	-----	QNG, QTG, QXG, VXG
16	16394-Z0V-892	SPRING	-	1	-	-	-	-----	QNG, QTG, QXG, VXG
17	16395-Z0V-892	BUTTON, PRIMER	-	1	-	-	-	-----	QNG, QTG, QXG, VXG
18	16480-Z0V-892	DIAPHRAGM ASSY.	-	1	-	-	-	-----	QNG, QTG, QXG, VXG
19	16483-Z0V-892	PIN, LEVER	-	1	-	-	-	-----	QNG, QTG, QXG, VXG
20	16486-Z0V-892	RING, PACKING	-	1	-	-	-	-----	QNG, QTG, QXG, VXG
21	16958-Z1T-004	SCREW	-	2	-	-	-	-----	QNG, QTG, QXG, VXG
22	94050-08000	NUT, FLANGE, 8MM	-	2	-	-	-	-----	QNG, QTG, QXG, VXG
23	95701-06016-00	BOLT, FLANGE, 6X16	-	2	-	-	-	-----	QNG, QTG, QXG, VXG



E-17-20

ZERO GOVERNOR

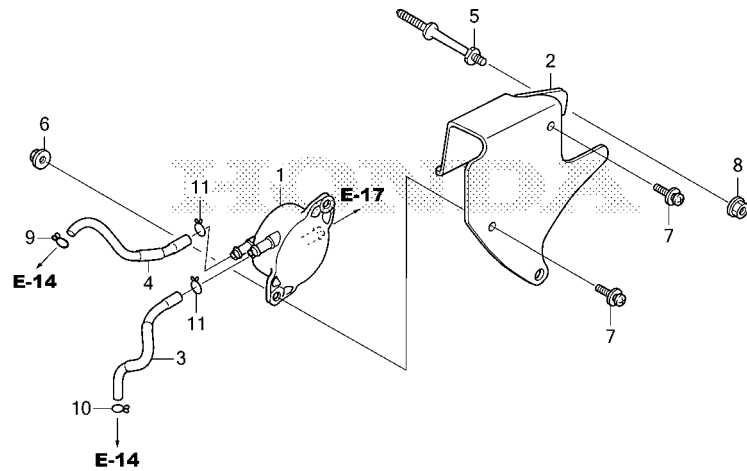


Ref. No.	Part No.	Description	Reqd. QTY					Serial No.	Parts catalogue code
			GX 390 T1	GX 390 T2	GX 390 T2X	GX 390 UT2	GX 390 UT2X		
24	95701-06020-00	BOLT, FLANGE, 6X20	-	2	-	-	-	QNG,QTG,QXG,VXG	
25	95701-08025-00	BOLT, FLANGE, 8X25	-	2	-	-	-	QNG,QTG,QXG,VXG	



E-18

FUEL PUMP



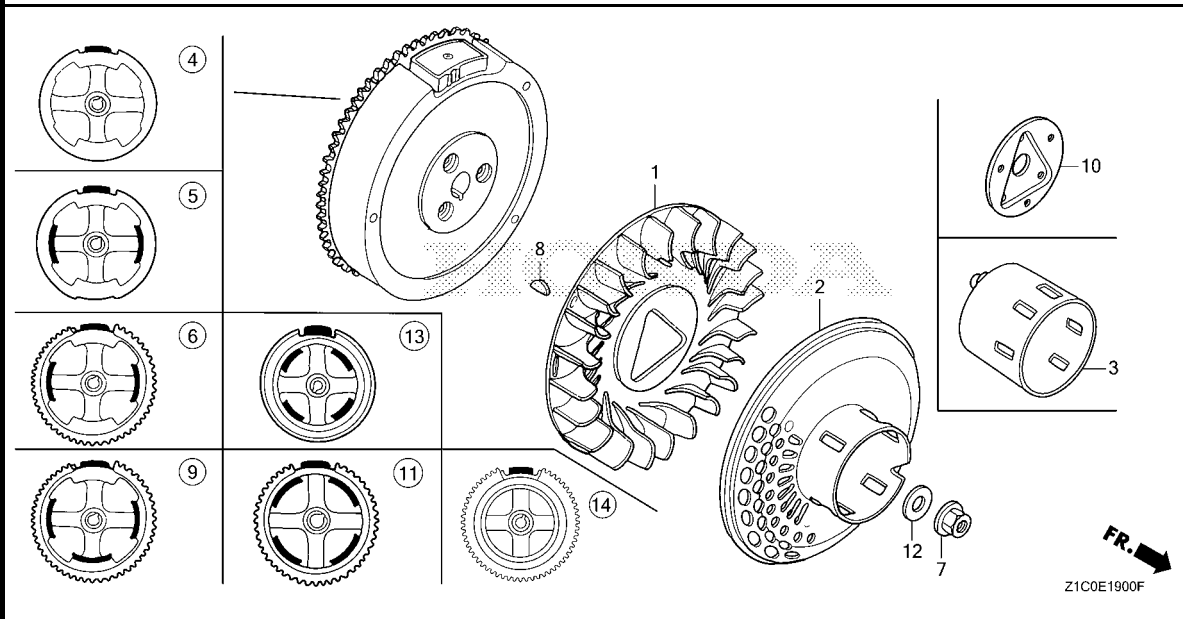
Ref. No.	L.O.N.	(Relative ref. Number) Description	F.R.T.
1	3101H9	PUMP, FUEL	0.3
2	3101J7	STAY, FUEL PUMP	0.1
3	3101F6	TUBE, FUEL	0.2
4	3101E5	TUBE, DIAPHRAGM	0.2

Ref. No.	Part No.	Description	Reqd. QTY					Serial No.	Parts catalogue code
			GX 390 T1	GX 390 T2	GX 390 T2X	GX 390 UT2	GX 390 UT2X		
1	16700-Z0M-782	PUMP ASSY., FUEL	-	1	-	-	-	-----	QHB2, QHB2/A
2	16711-Z1C-R60	STAY, FUEL PUMP	-	1	-	-	-	-----	QHB2, QHB2/A
3	16853-Z1C-R60	TUBE, FUEL	-	1	-	-	-	-----	QHB2, QHB2/A
4	16882-Z1C-R60	TUBE, DIAPHRAGM	-	1	-	-	-	-----	QHB2, QHB2/A
5	90041-Z1C-R60	BOLT, FUEL PUMP STAY	-	1	-	-	-	-----	QHB2, QHB2/A
6	91616-KFT-620	NUT, FLANGE, 5MM	-	2	-	-	-	-----	QHB2, QHB2/A
7	93894-05020-00	SCREW-WASHER, 5X20	-	2	-	-	-	-----	QHB2, QHB2/A
8	94050-06000	NUT, FLANGE, 6MM	-	1	-	-	-	-----	QHB2, QHB2/A
9	95002-02070	CLIP, TUBE(B7)	-	1	-	-	-	-----	QHB2, QHB2/A
10	95002-02080	CLIP, TUBE(B8)	-	1	-	-	-	-----	QHB2, QHB2/A
11	95002-02100	CLIP, TUBE(B10)	-	2	-	-	-	-----	QHB2, QHB2/A



E-19

FLYWHEEL



Ref. No.	L.O.N.	(Relative ref. Number) Description	F.R.T.
1	1141G7	FAN, ENGINE COOLING	0.2
	1141G7D	.iGX type add	0.2
2	(3)		
	1121A9	PULLEY, RECOIL STARTER	0.2
	1121A9C	.iGX type add	0.2
4	(5,6,9,11,13,14)		
	2161B5	FLYWHEEL	0.3
	2161B5D	.iGX type add	0.2

Ref. No.	Part No.	Description	Reqd. QTY					Serial No.	Parts catalogue code
			GX 390 T1	GX 390 T2	GX 390 T2X	GX 390 UT2	GX 390 UT2X		
1	19511-ZE3-000	FAN, COOLING	1	1	1	1	1	-----	EDS1, EDS5, EDT1, EDT5, ES2, ES3, ES5, EWS1, EWS3, EWS4, EWS5, EZD5, EZDS, EZS4, EZS5, LBD, LBH, LBHB, LBHS, LBP, LEAJ, LFU, LH, LH2, LHB5, LHP1, LP, LT, LTK1, LWD1, LXE5, LXE8, LXE9, LXQ5, LXU, PKT5, PX, PXE5, PXE8, PXU, PXU5, QA2, QA25, QA26, QAA2, QAA5, QAA6, QAPW, QAPW/A, QBD, QBE1, QBE1/A, QBH, QBHS, QBH2, QBL, QBL5, QBP, QBS, QBS1, QBT, QC1, QC2, QC55, QC95, QCT, QCWE, QH, QHB1, QHB1/A, QHB2, QHB2/A, QHB3, QHB5, QHP1, QHT, QHT1, QHTN, QK45, QKA5, QMAH, QMAH/A, QMH, QN, QNG, QNR5, QP, QPW, QT, QTD, QTE, QTG, QTN, QX, QX5, QXA5, QXB5, QXE, QXE5, QXE8, QXEK, QXG, QXK, QXQ4, QXQ5, QXU, QXU5, QZSD, QZSL, SC15, SC5, SCC, SCM5, SEM, SH, SHE, SHMV, SJG, SM11, SME5, SMEJ, SMM, SMT, SN, STCH, SWA5, SWD4, SWDH, SWDL, SWE, SWE2, SWSC, SWX, SWX2, SX, SX5, SXC, SXE, SXE5, SXE8, SXX, SXX1, SXQ4, SXQ5, SZSK, VMQ3, VMT, VMT2, VMT3, VS15, VS3, VS4, VS5, VS6, VSB3, VSB4, VSB5, VSEP, VSP, VSP/A, VTE5, VMC5, VWE5, VWT5, VX, VX8, VXE, VXE8, VXEH, VXG, VXH, VXX, VXX2, VXU1, VZKK, VZS5, VZS6, VZX
	19511-ZK6-880	-	1	-	-	-	-----	VEP5, VPX5, VPXP, VPXP/A, VSD5, VXB5
2	28450-ZE3-W11	PULLEY COMP., STARTER (SCREEN GRID)	1	1	-	1	1	-----	LEAJ, LH, LH2, LHB5, LHP1, LT, LXE5, LXE8, LXE9, LXQ5, LXU, PX, PXE5, PXE8, PXU, PXU5, QA25, QA26, QBE1, QBE1/A, QC2, QC95, QH, QHB1, QHB1/A, QHB2, QHB2/A, QHB3, QHB5, QHP1, QKA5, QMH, QNR5, QP, QX, QX5, QXA5, QXB5, QXE, QXE5, QXE8, QXEK, QXK, QXQ5, QXU, QXU5, SCC, SEM, SH, SHE, SHMV, SME5, SMM, STCH, SWA5, SWE, SWE2, SWSC, SWX, SWX2, SX, SXC, SXE, SXE5, SXE8, SXQ5, VSP, VSP/A, VTE5, VWT5, VX, VX8, VXE, VXE8, VXX, VXX2, VXU1, VZKK, VZX



E-19

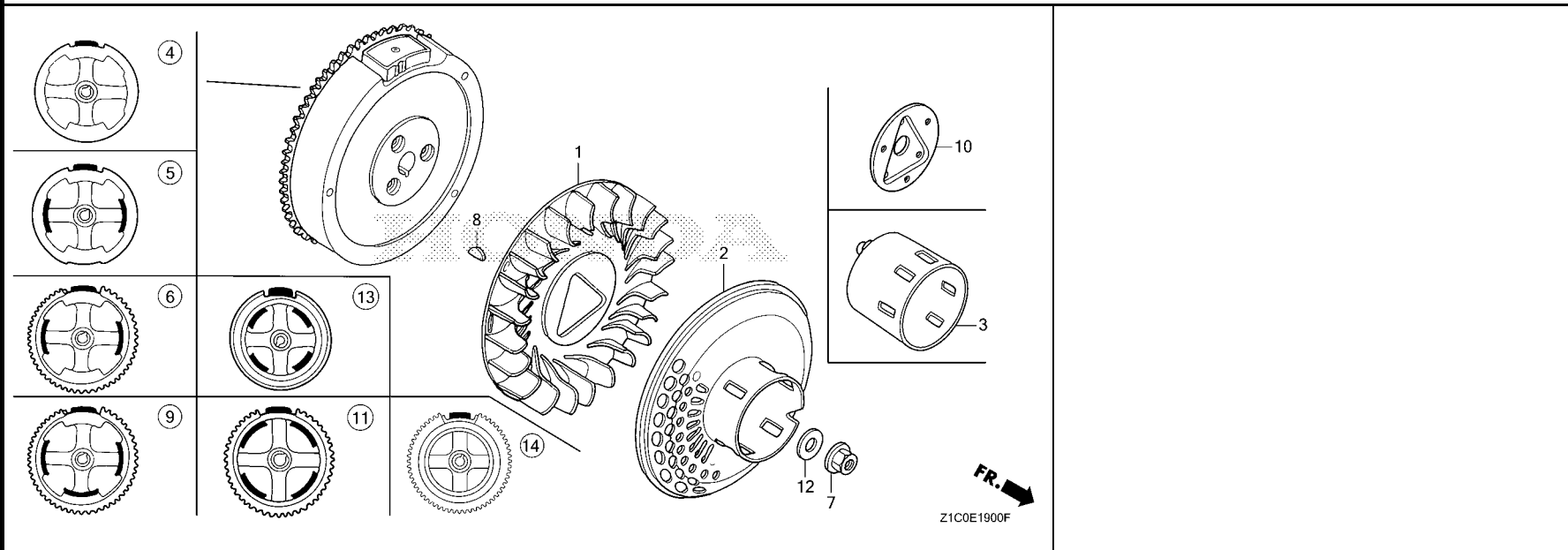
FLYWHEEL

Ref. No.	Part No.	Description	Reqd. QTY					Serial No.	Parts catalogue code
			GX 390 T1	GX 390 T2	GX 390 T2X	GX 390 UT2	GX 390 UT2X		
3	28451-ZE3-W01	PULLEY, STARTER.....	1	1	1	1	1	-----	EDS1, EDS5, EDT1, EDT5, ES2, ES3, ES5, EWS1, EWS3, EWS4, EWS5, EZD5, EZDS, EZS4, EZS5, LBD, LBH, LBHB, LBHS, LBP, LFU, LP, PKT5, QA2, QAA2, QAA5, QAA6, QAPW, QAPW/A, QBD, QBH, QBHS, QBHZ, QBL, QBLS, QBP, QBS, QBS1, QBT, QC1, QC55, QCT, QCWE, QHT, QHT1, QHTN, QK45, QMAH, QMAH/A, QN, QNG, QPW, QT, QTD, QTE, QTG, QTN, QXG, QXQ4, QZSD, QZSL, SC15, SC5, SCM5, SJG, SM11, SMEJ, SN, SWD4, SWDH, SWDL, SX5, SXQ4, SZSK, VEP5, VMQ3, VMT, VMT2, VMT3, VPX5, VPXP, VPXP/A, VS15, VS3, VS4, VS5, VS6, VSB3, VSB4, VSB5, VSD5, VSEP, VMC5, VME5, VXB5, VXEH, VXG, VXH, VZS5, VZS6
4	31100-ZE3-701	FLYWHEEL COMP.	1	-	-	-	-	-----	ES2, ES3, LH, LH2, LHB5, LXU, PX, PXU, QA2, QA26, QAA2, QAA6, QAPW, QBLS, QBS, QH, QHB1, QHB3, QHB5, QHP1, QMH, QN, QT, QTD, QTN, QX, QXK, QXQ4, QXU, SH, SN, SX, SXC, SXQ4, VS4, VSB4, VSP, VX, VX8, VXX2
	31100-Z1C-800	1	-	-	-	-	-----	LBH, LBHB, LBHS, QBH, QBHS
	31110-Z5T-000	-	1	1	-	-	-----	EDT1, EDT5, ES2, LH, LH2, LHB5, LXQ5, PKT5, PX, PXU5, QA25, QAA5, QAPW, QAPW/A, QC1, QC2, QC55, QC95, QCT, QCWE, QH, QHB1, QHB2/A, QHB3, QHB5, QHP1, QHT, QHT1, QHTN, QK45, QMH, QN, QNG, QPW, QTD, QTG, QTN, QX, QXA5, QXB5, QXG, QXK, QXQ5, QXU5, SCM5, SH, SHMV, SJG, SM11, STCH, SWA5, SWSC, SX, SXC, SXQ5, VPX5, VPXP, VPXP/A, VS3, VS4, VSB4, VSD5, VSP, VSP/A, VMC5, VX, VXB5, VXG, VXH
	31100-Z1C-800	-	1	-	-	-	-----	LBD, LBH, LBHB, LBHS, LBP, QBD, QBH, QBHS, QBHZ, QBL, QBLS, QBP, QBS, QBS1, QBT
5	31100-ZE3-712	FLYWHEEL COMP.(LAMP).....	1	-	-	-	-	-----	LHP1, LP, LT, QP, SWX, SWX2, VMQ3
	31110-Z5T-810	-	1	-	-	-	-----	EWS1, EWS3, LHP1, QP, SWX, SWX2, VEP5, VMQ3
6	31100-ZE3-722	FLYWHEEL COMP.(SEL-LAMP).....	1	-	-	-	-	-----	LXE8, LXE9, PXE8, QBE1, QXE, QXE8, QXEK, SHE, SWE, SWE2, SXE, SXE8, VMT2, VMT3, VS6, VSB5, VTE5, VXE, VXE8, VXX, VXU1
	31110-Z5T-820	-	1	-	-	-	-----	EDS1, EDS5, ES5, EWS4, EWS5, LTK1, LXE5, LXE9, PXE5, QBE1, QBE1/A, QX5, QXE, QXE5, QXEK, SMEJ, SMT, SWE2, SX5, SXE5, VMT, VMT2, VMT3, VS15, VS5, VS6, VSB3, VSEP, VTE5, VME5, VMT5, VXE, VXEH, VXX, VXU1, LWD
	31110-ZF6-V10	-	1	-	-	-	-----	LWD
7	90201-ZE3-V00	NUT, SPECIAL, 16MM.....	1	-	-	1	1	-----	LFU, LXE8, LXU, PXE8, PXU, QA2, QA26, QAA2, QAA6, QMAH, QMAH/A, QXE8, QXQ4, QXU, SCC, SXE8, SXQ4, VX8, VXE8
	90201-ZE3-790	1	-	-	-	-	-----	ES2, ES3, LBH, LBHB, LBHS, LH, LH2, LHB5, LHP1, LP, LT, LXE9, PX, QAPW, QBE1, QBH, QBHS, QBLS, QBS, QH, QHB1, QHB3, QHB5, QHP1, QMH, QN, QP, QT, QTD, QTN, QX, QXE, QXEK, QXK, SH, SHE, SN, SWE, SWE2, SWX, SWX2, SX, SXC, SXE, VMQ3, VMT2, VMT3, VS4, VS6, VSB4, VSB5, VSP, VTE5, VX, VXE, VXX, VXX2, VXU1
	90201-ZE3-V00	-	1	-	-	-	-----	EDS1, EDS5, EDT1, EDT5, ES5, EWS1, EWS3, EWS4, EWS5, EZD5, EZDS, EZS4, EZS5, LBD, LBH, LBHB, LBHS, LBP, LEAJ, LTK1, LWD, LWD1, LWP1, LXE5, LXQ5, PKT5, PXE5, PXU5, QA25, QAA5, QAPW/A, QBD, QBE1, QBE1/A, QBH, QBHS, QBHZ, QBL, QBLS, QBP, QBS, QBS1, QBT, QC1, QC2, QC55, QC95, QCT, QCWE, QHB1, QHB1/A, QHB2, QHB2/A, QHT, QHT1, QHTN, QK45, QKA5, QNG, QNR5, QP, QPW, QTD, QTE, QTG, QTN, QX5, QXA5, QXB5, QXE5, QXG, QXQ5, QXU5, QZSD, QZSL, SC15, SC5, SCM5, SEM, SHMV, SJG, SM11, SME5, SMEJ, SMM, SMT, STCH, SWA5, SWD4, SWDH, SWDL, SWE2, SWSC, SWX, SWX2, SX5, SXE5, SXX, SXX1, SXQ5, SZSK, VEP5, VPX5, VPXP, VPXP/A, VS15, VS3, VS5, VSD5, VSEP, VSP/A, VMC5, VME5, VMT5, VXB5, VXEH, VXG, VXH, VZK, VZS5, VZS6
	90201-ZE3-790	-	1	-	-	-	1032880	ES2, LH, LH2, LHB5, LHP1, LXE9, PX, QAPW, QH, QHB3, QHB5, QHP1, QMH, QN, QX, QXE, QXEK, QXK, SH, SX, SXC, VMQ3, VMT, VMT2, VMT3, VS4, VS6, VSB3, VSB4, VSP, VTE5, VX, VXE, VXX, VXU1, VZX
	90201-ZE3-V00	-	1	-	-	-	1032881	ES2, LH, LH2, LHB5, LHP1, LXE9, PX, QAPW, QH, QHB3, QHB5, QHP1, QMH, QN, QX, QXE, QXEK, QXK, SH, SX, SXC, VMQ3, VMT, VMT2, VMT3, VS4, VS6, VSB3, VSB4, VSP, VTE5, VX, VXE, VXX, VXU1, VZX
	90741-ZE2-000	KEY, SPECIAL WOODRUFF, 25X18.....	-	-	1	-	-		
8	90741-ZE2-000	KEY, SPECIAL WOODRUFF, 25X18.....	1	1	1	1	1		
9	31110-Z5T-W00	FLYWHEEL COMP.(SEL).....	-	1	-	-	-	-----	EZD5, EZDS, EZS4, EZS5, VZK, VZS5, VZS6, VZX
10	19512-ZE2-000	PLATE, COOLING FAN SETTING....	-	1	-	-	-	-----	LTK1, LWD1, SMT, SXX, SXX1



E-19

FLYWHEEL

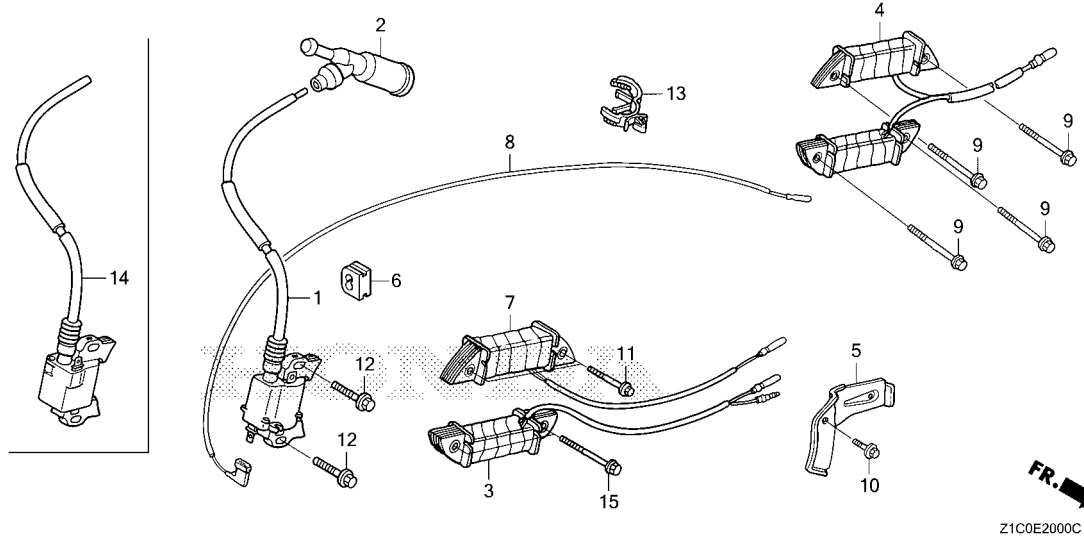


Ref. No.	Part No.	Description	Reqd. QTY					Serial No.	Parts catalogue code
			GX 390 T1	GX 390 T2	GX 390 T2X	GX 390 UT2	GX 390 UT2X		
11	31110-Z5T-840	FLYWHEEL COMP.(SEL-4POLE)	-	1	-	1	1	-----	LEAJ, QKA5, QMAH, QMAH/A, QTE, SC15, SC5, SCC, SEM, SME5
	31110-Z5T-860	FLYWHEEL COMP.(SEL-18A)	-	1	-	1	1	-----	LFU, LWD1, QNR5, SWD4, SWDH, SWDL
	31110-ZF6-N50	-	1	-	-	-	-----	LWP1
12	90473-ZE3-790	WASHER, FLYWHEEL	-	1	-	-	-	-----	LWD, LWP1
13	31110-Z5T-830	FLYWHEEL COMP.(4POLE)	-	1	-	-	-	-----	SMM, SXX
	31100-ZK6-000	-	1	-	-	-	-----	SXX1
14	31110-Z5T-W41	FLYWHEEL COMP.(SEL-16POLE)	-	1	-	-	-	-----	QZSD, QZSL, SZSK



E-20

IGNITION COIL(1)



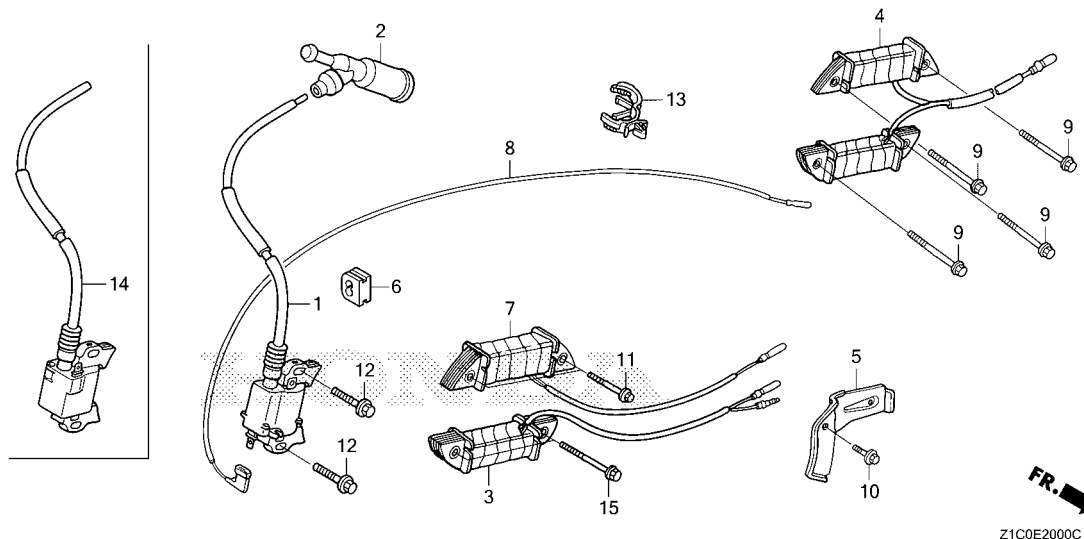
Ref. No.	L.O.N.	(Relative ref. Number) Description	F.R.T.
1		(14)	
6141A5		COIL, IGNITION(ONE)	0.3
2	6141B8	TERMINAL, HIGH TENSION	0.1
4		(3)	
6141A6		COIL, LAMP	0.4
7	6131C3	COIL, CHARGE	0.4
8	6111B3	CORD, STOP SWITCH	0.3

Ref. No.	Part No.	Description	Reqd. QTY					Serial No.	Parts catalogue code
			GX 390 T1	GX 390 T2	GX 390 T2X	GX 390 UT2	GX 390 UT2X		
1	30500-Z1C-023	COIL ASSY., IGNITION.....	1	-	-	-	-	ES2, ES3, LH2, QAPW, QBE1, QBLS, QBS, QHB1, QN, QTD, QTN, SWE2, SWX2, VMQ3, VMT2, VMT3, VS4, VS6, VSB4, VSB5, VSP, VXK2	
	30500-Z1C-003	1	-	-	-	-	QAA6	
	30500-ZF6-W02	1	-	-	-	1253347	LH, LHB5, LHP1, LP, LT, LXE8, LXU, PX, PXE8, PXU, QA2, QA26, QAA2, QH, QHB3, QHB5, QHP1, QMH, QP, QT, QX, QXE, QXE8, QXQ4, QXU, SH, SHE, SN, SWE, SWX, SX, SXC, SXE, SXE8, SXQ4, VTE5, VX, VX8, VXE, VXE8, VXU1	
	30500-Z1C-013	1	-	-	-	1337116	LXE9, QXEK, QXK, VXK	
	30500-Z1C-003	1	-	-	-	1253348	LXE8, LXU, PXE8, PXU, QA2, QA26, QAA2, QXE8, QXQ4, QXU, SXE8, SXQ4, VX8, VXE8	
	30500-Z1C-013	1	-	-	-	1253348	1337116 LH, LHB5, LHP1, LP, LT, PX, QH, QHB3, QHB5, QHP1, QMH, QP, QT, QX, QXE, SH, SHE, SN, SWE, SWX, SX, SXC, SXE, VTE5, VX, VXE, VXU1	
	30500-Z1C-023	1	-	-	-	1337117	LH, LHB5, LHP1, LP, LT, LXE9, PX, QH, QHB3, QHB5, QHP1, QMH, QP, QT, QX, QXE, QXEK, QXK, SH, SHE, SN, SWE, SWX, SX, SXC, SXE, VTE5, VX, VXE, VXK, VXU1	
2	30700-Z1C-813	CAP ASSY., NOISE SUPPRESSOR (NGK Y-EZD)	1	-	-	-	-	ES2, LH2	
	30700-Z1C-811	1	-	-	-	-	ES3, LH, LHB5, LHP1, LXE8, LXE9, LXU, PX, PXE8, PXU, QA2, QA26, QAA2, QAA6, QAPW, QBE1, QH, QHB1, QHB3, QHB5, QHP1, QMH, QP, QX, QXE, QXE8, QXEK, QXK, QXQ4, QXU, SH, SHE, SWE, SWE2, SWX, SWX2, SX, SXC, SXE, SXE8, SXQ4, VMQ3, VMT2, VMT3, VS4, VS6, VSP, VTE5, VX, VX8, VXE, VXE8, VXK, VXK2, VXU1	
	30700-Z1C-821	TERMINAL ASSY., HIGH TENSION (NGK Y-EZD)	1	-	-	-	-	LBH, LBHB, LBHS, QBH, QBHS, QBLS, QBS	
	30700-ZE1-013	CAP ASSY., NOISE SUPPRESSOR (NICHIIWA Y-EZ RTFM256)	1	-	-	-	-	LH, LHB5, LHP1, LXE8, LXE9, LXU, PX, PXE8, PXU, QA2, QA26, QAA2, QH, QHB3, QHB5, QHP1, QMH, QP, QX, QXE, QXE8, QXEK, QXK, QXQ4, QXU, SH, SHE, SWE, SWX, SX, SXC, SXE, SXE8, SXQ4, VTE5, VX, VX8, VXE, VXE8, VXK, VXU1	



E-20

IGNITION COIL(1)

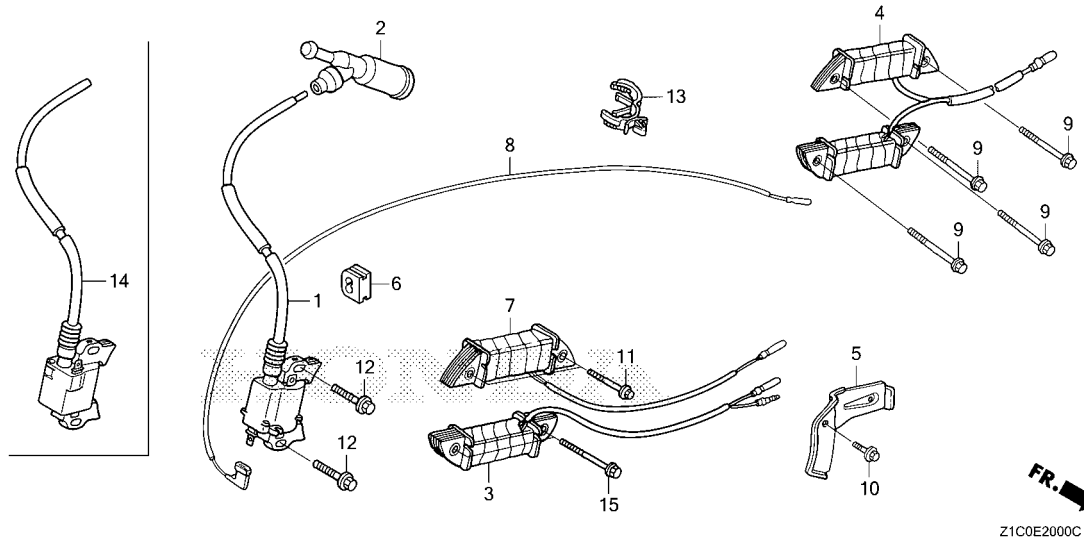


Z1C0E2000C

Ref. No.	Part No.	Description	Reqd. QTY					Serial No.	Parts catalogue code
			GX 390 T1	GX 390 T2	GX 390 T2X	GX 390 UT2	GX 390 UT2X		
(2)	30700-Z1C-801	TERMINAL ASSY., HIGH TENSION (NGK Y-EZD)	1	-	-	-	-	LP, LT, QN, QT, QTD, SN, VSB4, VSB5	
	30600-ZE1-013	TERMINAL ASSY., HIGH TENSION (NICHIIWA Y-EZ)	1	-	-	-	-	LP, LT, QT, SN	
	30700-Z1C-803	TERMINAL ASSY., HIGH TENSION (NGK Y-EZD)	1	-	-	-	-	QTN	
3	31510-ZE1-811	COIL ASSY., LAMP(12V/25W).....	1	-	-	-	-	LHP1	
	31510-ZE1-003	COIL ASSY., LAMP(12V/15W).....	1	-	-	-	-	VMQ3, VMT3	
4	31510-ZE2-811	COIL ASSY., LAMP(12V/50W).....	1	-	-	-	-	LP, LT, QP, SWX, SWX2	
5	31511-ZE3-000	CLAMPER, CORD.....	1	-	-	-	-	LHP1, LP, LT, LXE8, LXE9, PXE8, QBE1, QP, QXE, QXE8, QXEK, SHE, SWE, SWE2, SWX, SWX2, SXE, SXE8, VMQ3, VMT2, VMT3, VS6, VSB5, VTE5, VXE, VXE8, VXX, VXU1	
6	31512-ZE2-000	GROMMET, CORD.....	1	-	-	-	-		
7	31630-ZE1-003	COIL ASSY., CHARGE(1A).....	1	-	-	-	-	LXE8, PXE8, QXE8, SXE8, VXE8	
	31630-ZE1-013	1	-	-	-	-	LXE9, QBE1, QXE, QXEK, SHE, SWE, SWE2, SXE, VMT2, VMT3, VS6, VSB5, VTE5, VXE, VXX, VXU1	
8	36101-ZE3-800	CORD, STOP SWITCH(470MM).....	1	-	-	-	-	ES2, ES3, VS4, VS6, VSB4, VSB5	
	36101-ZE2-701	CORD, STOP SWITCH(430MM).....	1	-	-	-	-	LBH, LBHB, LBHS, LH, LH2, LHB5, LHP1, LP, LT, LXE8, LXE9, LXU, PX, PXE8, PXU, QA2, QA26, QAA2, QAA6, QAPW, QBE1, QBH, QBHS, QBLS, QBS, QH, QHB1, QHB3, QHB5, QHP1, QMH, QN, QP, QT, QTD, QTN, QX, QXE, QXE8, QXEK, QXK, QXQ4, QXU, SH, SHE, SN, SWE, SWE2, SWX, SWX2, SX, SXC, SXE8, SXQ4, VMQ3, VMT2, VMT3, VSP, VTE5, VX, VX8, VXE, VXE8, VXX, VXX2, VXU1	
9	90012-888-000	BOLT, FLANGE, 6X40(CT200).....	4	-	-	-	-	LP, LT, QP, SWX, SWX2	
10	90013-883-000	BOLT, FLANGE, 6X12(CT200).....	1	-	-	-	-	LHP1, LP, LT, LXE8, LXE9, PXE8, QBE1, QP, QXE, QXE8, QXEK, SHE, SWE, SWE2, SWX, SWX2, SXE, SXE8, VMQ3, VMT2, VMT3, VS6, VSB5, VTE5, VXE, VXE8, VXX, VXU1	

E-20

IGNITION COIL(1)

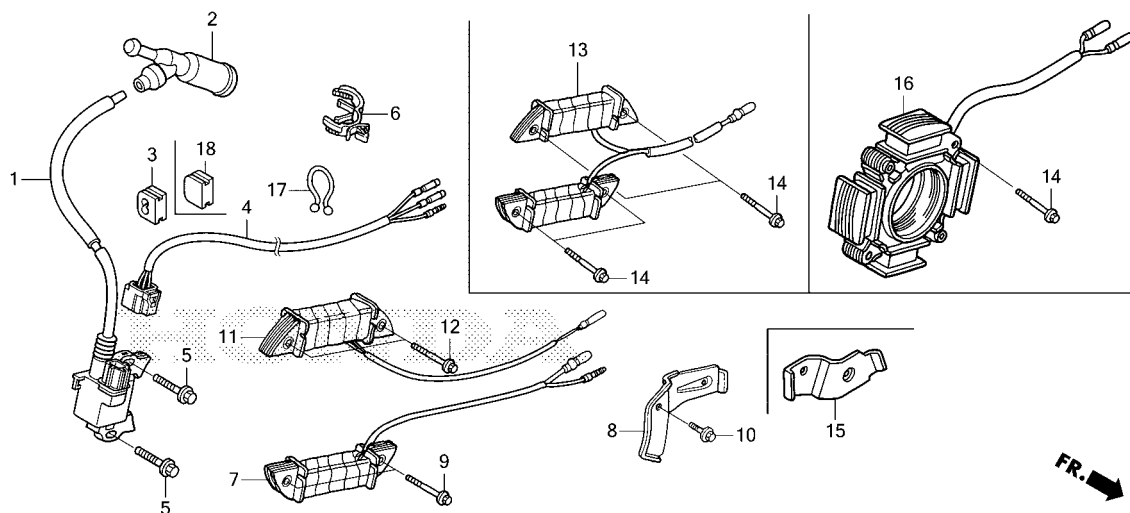


Ref. No.	Part No.	Description	Reqd. QTY					Serial No.	Parts catalogue code
			GX 390 T1	GX 390 T2	GX 390 T2X	GX 390 UT2	GX 390 UT2X		
11	90014-ZE6-000	BOLT, FLANGE, 6X35(CT200).....	2	-	-	-	-	LXE8, LXE9, PXE8, QBE1, QXE, QXE8, QXEK, SHE, SWE, SWE2, SXE, SXE8 VMT2, VMT3, VS6, VSB5, VTE5, VXE, VXE8, VXX, VXU1	
12	90015-883-000	BOLT, FLANGE, 6X28(CT200).....	2	-	-	-	-	LBH, LBHB, LBHS, LXU, PX, PXU, QA2, QA26, QAA2, QAA6, QAPW, QBH, QBHS QBLS, QBS, QX, QXK, QXQ4, QXU, SWX, SWX2, SX, SXC, SXQ4, VSP, VX, VX8 VXX2	
13	90684-ZA0-601	CLIP, HARNESS	1	-	-	-	-	LBH, LBHB, LBHS, QBH, QBHS	
14	30500-Z1C-801	COIL ASSY., IGNITION.....	1	-	-	-	-	1009510 LBH, LBHB, LBHS, QBH, QBHS	
	30500-Z1C-802	1	-	-	-	1009511	LBH, LBHB, LBHS, QBH, QBHS	
15	90012-888-000	BOLT, FLANGE, 6X40(CT200).....	2	-	-	-	-	LHP1	
	90017-883-000	BOLT, FLANGE, 6X32(CT200).....	2	-	-	-	-	VMQ3, VMT3	



E-20-1

IGNITION COIL(2)



Ref. No.	L.O.N.	(Relative ref. Number) Description	F.R.T.
1	6141A5	COIL, IGNITION(ONE)	0.3
2	6141B8	TERMINAL, HIGH TENSION	0.1
7	6141A6	COIL, LAMP	0.4
11	6131C3	COIL, CHARGE	0.4



Ref. No.	Part No.	Description	Reqd. QTY					Serial No.	Parts catalogue code
			GX 390 T1	GX 390 T2	GX 390 T2X	GX 390 UT2	GX 390 UT2X		
1	30500-Z5T-003	COIL ASSY., IGNITION.....	-	1	1	-	-	-----	EDS1,EDS5,EDT1,EDT5,ES2,ES5,EWS1,EWS3,EWS4,EWS5,LEAJ,LH,LH2,LHB5,LHP1,LTK1,LWD,LWD1,LWP1,LXE5,LXE9,LXQ5,PKT5,PX,PXE5,PXU5,QA25,QAA5,QAPW,QAPW/A,QBE1,QBE1/A,QC1,QC2,QC55,QC95,QCT,QCWE,QH,QHB1,QHB1/A,QHB2,QHB2/A,QHB3,QHB5,QHP1,QHT,QK45,QMH,QN,QNR5,QP,QPW,QTD,QTN,QX,QX5,QXA5,QXB5,QXE,QXE5,QXEK,QXK,QXQ5,QXU5,SCM5,SEM,SH,SHMV,SJG,SM11,SMEJ,SMM,SMTP,STCH,SWA5,SWD4,SWDH,SWDL,SWE2,SWSC,SWX,SWX2,SX,SX5,SXC,SXE5,SXQ5,VEP5,VMQ3,VMT,VMT2,VMT3,VPX5,VPXP,VPXP/A,VS15,VS3,VS4,VS5,VS6,VSB3,VSB4,VSD5,VSEP,VSP,VSP/A,VTE5,VWC5,VWE5,VWT5,VX,VXB5,VXE,VXEH,VXH,VXK,VXU1
	30500-Z5T-004	COIL ASSY., IGNITION(IIDA)...	-	1	1	-	-	-----	EDS5,EDT5,ES5,EWS1,EWS3,EWS4,EWS5,LEAJ,LH,LH2,LHB5,LHP1,LWD1,LWP1,LXE5,LXE9,LXQ5,PKT5,PX,PXE5,PXU5,QA25,QAA5,QAPW,QAPW/A,QBE1,QBE1/A,QC1,QC2,QC55,QC95,QCT,QCWE,QH,QHB1,QHB1/A,QHB2,QHB2/A,QHB3,QHB5,QHP1,QK45,QMH,QN,QNR5,QP,QPW,QX,QX5,QXA5,QXB5,QXE,QXE5,QXEK,QXK,QXQ5,QXU5,SCM5,SEM,SH,SHMV,SJG,SMEJ,SMM,STCH,SWA5,SWD4,SWDH,SWDL,SWSC,SWX2,SX5,SXE5,SXK,SXQ5,VEP5,VMQ3,VMT3,VPX5,VPXP,VPXP/A,VS15,VS3,VS4,VS5,VS6,VSB4,VSD5,VSEP,VSP,VSP/A,VWC5,VWE5,VWT5,VX,VXB5,VXE,VXEH,VXH,VXK
	30500-Z1C-812	COIL ASSY., IGNITION(TOYO)...	-	1	-	-	-	-----	LBH, LBHS
	30500-Z1C-821	COIL ASSY., IGNITION.....	-	1	-	-	-	-----	QBL5, QBS, QBS1
	30500-Z5T-801	-	1	-	-	-	-----	QHT1, QHTN, QNG, QTE, QTG, QXG, VXG
	30500-Z1C-812	COIL ASSY., IGNITION(TOYO)...	-	1	-	-	-	-----	1605164 LBH, LBHS, QBH, QBHS
			-	1	-	-	-	-----	1605640 LBHB

E-20-1

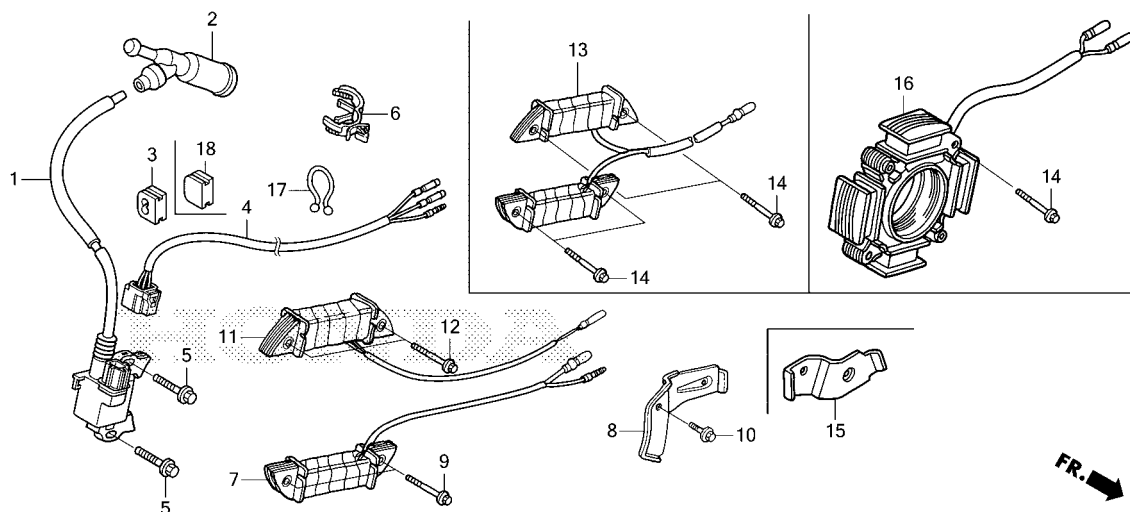
IGNITION COIL(2)

Ref. No.	Part No.	Description	Reqd. QTY					Serial No.	Parts catalogue code
			GX 390 T1	GX 390 T2	GX 390 T2X	GX 390 UT2	GX 390 UT2X		
2	30700-Z1C-813	CAP ASSY., NOISE SUPPRESSOR (NGK Y-EZD)	-	1	1	-	-	EDS1, EDS5, EDT1, EDT5, ES2, ES5, EWS1, EWS3, EWS4, EWS5, LEAJ, LH LH2, LHB5, LHP1, LXE5, LXE9, LXQ5, PKT5, PX, PXE5, PXU5, QA25, QAA5 QAPW, QAPW/A, QBE1, QBE1/A, QC1, QC2, QC55, QC95, QCT, QCWE, QH QHB1, QHB1/A, QHB2, QHB2/A, QHB3, QHB5, QHP1, QHT, QHT1, QHTN, QK45 QMH, QNR5, QP, QPW, QTE, QTG, QTN, QX, QX5, QXA5, QXB5, QXE, QXE5 QXEK, QXG, QXK, QXQ5, QXU5, SCM5, SEM, SH, SHMV, SJG, SM11, SMEJ, SMM SMTP, STCH, SWA5, SWD4, SWDH, SWDL, SWE2, SWSC, SWX, SWX2, SX, SX5 SXC, SXE5, SXQ5, VEP5, VMQ3, VMT, VMT2, VMT3, VPX5, VPXP, VPXP/A VS15, VS3, VS4, VS5, VS6, VSD5, VSEP, VSP, VSP/A, VTE5, VWC5, VWE5 VWT5, VX, VXB5, VXE, VXEH, VXG, VXH, VXX, VXU1	
	30700-Z1C-803	TERMINAL ASSY., HIGH TENSION (NGK Y-EZD)	-	1	-	-	-	LTK1, LWD, LWP1, QN, QNG, QTD, VSB3, VSB4	
	30700-Z1C-013	TERMINAL ASSY., HIGH TENSION	-	1	-	-	-	QBL5, QBS, QBS1	
	30700-Z1C-821	TERMINAL ASSY., HIGH TENSION (NGK Y-EZD)	-	1	-	-	-	1605164 LBH, LBHS, QBH, QBHS	
			-	1	-	-	-	1605640 LBHB	
			-	1	-	-	-	1665038 LWD1	
	30700-Z1C-803	-	1	-	-	1665039	LWD1	
3	31512-ZE2-000	GROMMET, CORD	-	1	1	-	-	EDS1, EDS5, EDT1, EDT5, ES2, ES5, EWS1, EWS3, EWS4, EWS5, LEAJ, LH LH2, LHB5, LHP1, LTK1, LWD, LWD1, LWP1, LXE5, LXE9, LXQ5, PKT5, PX PXE5, PXU5, QA25, QAA5, QAPW, QAPW/A, QBE1, QBE1/A, QBL5, QBS, QBS1 QC1, QC2, QC55, QC95, QCT, QCWE, QH, QHB1, QHB1/A, QHB3, QHB5, QHP1 QHT, QHT1, QHTN, QK45, QMH, QN, QNG, QNR5, QP, QPW, QTD, QTE, QTG, QTN QX, QX5, QXA5, QXB5, QXE, QXE5, QXEK, QXG, QXK, QXQ5, QXU5, SCM5, SEM SH, SHMV, SJG, SM11, SMEJ, SMM, SMTP, STCH, SWA5, SWD4, SWDH, SWDL SWE2, SWSC, SWX, SWX2, SX, SX5, SXC, SXE5, SXQ5, VEP5, VEP5, VMQ3, VMT VMT2, VMT3, VPX5, VPXP, VPXP/A, VS15, VS3, VS4, VS5, VS6, VSB3, VSB4 VSD5, VSEP, VSP, VSP/A, VTE5, VWC5, VWE5, VWT5, VX, VXB5, VXE, VXEH VXG, VXH, VXX, VXU1	
			-	1	-	-	-	1605164 LBH, LBHS, QBH, QBHS	
			-	1	-	-	-	1605640 LBHB	
4	32110-Z5K-810	HARNESS ASSY., ENGINE WIRE (SEL)	-	1	-	-	-	EDS5, LEAJ, LXE5, PXE5, QNR5, QX5, QXE5, SEM, SX5, SXE5, VS15, VSEP VWE5, VWT5, VXEH	
	32110-Z5K-000	HARNESS ASSY., ENGINE WIRE	-	1	-	-	-	EDT5, LXQ5, PKT5, PXU5, QA25, QAA5, QAPW/A, QC55, QC95, QCWE, QK45 QPW, QXA5, QXB5, QXG, QXQ5, QXU5, SCM5, SMM, STCH, SWA5, SWSC, SXQ5 VEP5, VPX5, VPXP, VPXP/A, VSD5, VSP/A, VWC5, VXB5, VXG, VXH	
	32110-Z5K-800	-	1	-	-	-	LH, LH2, LHB5, LHP1, QC1, QC2, QCT, QH, QHB1, QHB1/A, QHB2, QHB2/A QHB3, QHB5, QHP1, QHT, QHT1, QHTN, QMH, QN, QNG, QP, QTD, QTG, QTN, SH SHMV, SJG, SM11	
	32110-Z5K-820	HARNESS ASSY., ENGINE WIRE (SEL)	-	1	-	-	-	QBE1/A, QTE, SMEJ, SWD4, SWDH, SWDL	
	32110-Z1C-800	HARNESS ASSY., ENGINE WIRE	-	1	-	-	-	QBL5, QBS, QBS1, SMTP	
	32110-Z5T-000	-	1	-	-	1430943	EDT1, ES2, EWS1, EWS3, PX, QAPW, QX, QXK, SWX, SWX2, SX, SXC, VMQ3 VS3, VS4, VSB4, VSP, VX	
	32110-Z5T-810	HARNESS ASSY., ENGINE WIRE (SEL)	-	1	-	-	1433582	EDS1, ES5, EWS4, EWS5, LXE9, QXE, QXEK, VMT, VMT2, VMT3, VS5, VS6 VSB3, VTE5, VXE, VXX, VXU1	
	32110-Z5T-820	-	1	-	-	1445261	LTK1, LWD, LWD1, LWP1, QBE1, SWE2	
	32110-Z1C-800	HARNESS ASSY., ENGINE WIRE	-	1	-	-	1605164	LBH, LBHS, QBH, QBHS	
			-	1	-	-	1605640	LBHB	
	32110-Z5K-000	-	1	-	-	1430944	EDT1, ES2, EWS1, EWS3, PX, QAPW, QX, QXK, SWX, SWX2, SX, SXC, VMQ3 VS3, VS4, VSB4, VSP, VX	
	32110-Z5K-810	HARNESS ASSY., ENGINE WIRE (SEL)	-	1	-	-	1433583	EDS1, ES5, EWS4, EWS5, LXE9, QXE, QXEK, VMT, VMT2, VMT3, VS5, VS6 VSB3, VTE5, VXE, VXX, VXU1	
	32110-Z5K-820	-	1	-	-	1445262	LTK1, LWD, LWD1, LWP1, QBE1, SWE2	



E-20-1

IGNITION COIL(2)



Z1COE2001F

Ref. No.	Part No.	Description	Reqd. QTY					Serial No.	Parts catalogue code
			GX 390 T1	GX 390 T2	GX 390 T2X	GX 390 UT2	GX 390 UT2X		
(4)	32110-Z5K-000	HARNESS ASSY., ENGINE WIRE...	-	-	1	-	-		
5	90015-883-000	BOLT, FLANGE, 6X28(CT200)....	-	2	2	-	-	EDS1, EDS5, EDT1, EDT5, ES2, ES5, EWS1, EWS3, EWS4, EWS5, LEAJ, LH LH2, LHB5, LHP1, LTK1, LWD, LWD1, LWP1, LXE5, LXE9, LXQ5, PKT5, PX PXE5, PXU5, QA25, QAA5, QAPW, QAPW/A, QBE1, QBE1/A, QBLS, QBS, QBS1 QC1, QC2, QC55, QC95, QCT, QCWE, QH, QHB1, QHB1/A, QHB2, QHB2/A QHB3, QHB5, QHP1, QHT, QHT1, QHTN, QK45, QMH, QN, QNG, QNR5, QP, QPW QTD, QTE, QTG, QTN, QX, QX5, QXA5, QXB5, QXE, QXE5, QXEK, QXG, QXK QXQ5, QXU5, SCM5, SEM, SH, SHMV, SJG, SM11, SMEJ, SMM, SMTTP, STCH SWA5, SWD4, SWDH, SWDL, SWE2, SWSC, SWX, SWX2, SX, SX5, SXC, SXE5 SXQ5, VEP5, VMQ3, VMT, VMT2, VMT3, VPX5, VPXP, VPXP/A, VS15, VS3 VS4, VS5, VS6, VSB3, VSB4, VSD5, VSEP, VSP, VSP/A, VTE5, VWC5, VWE5 VWT5, VX, VXB5, VXE, VXEH, VXG, VXH, VXK, VXU1	
			-	2	-	-	-	1605164 LBH, LBHS, QBH, QBHS	
			-	2	-	-	-	1605640 LBHB	
6	90684-ZA0-601	CLIP, HARNESS	-	1	1	-	-	EDT1, EDT5, ES2, EWS1, EWS3, LH, LH2, LXQ5, PKT5, PX, PXU5, QA25 QAA5, QAPW, QAPW/A, QBLS, QBS, QBS1, QC1, QC2, QC55, QC95, QCT, QCWE QHB1, QHB1/A, QHB2, QHB2/A, QHB5, QHP1, QHT, QHT1, QHTN, QK45, QNG QP, QPW, QTD, QTG, QTN, QX, QXA5, QXB5, QXG, QXK, QXQ5, QXU5, SCM5 SHMV, SJG, SM11, SMM, STCH, SWA5, SWSC, SWX, SWX2, SX, SXC, SXQ5 VEP5, VMQ3, VPX5, VPXP, VPXP/A, VS3, VS4, VSB4, VSD5, VSP, VSP/A VWC5, VX, VXB5, VXG, VXH	
			-	1	-	-	-	1605164 LBH, LBHS, QBH, QBHS	
			-	1	-	-	-	1605640 LBHB	
			-	1	-	-	1033081	LBH5, LHP1, QH, QMH, SH	
			-	1	-	-	1605165	LBH, LBHB, LBHS, QBH, QBHS	
			-	1	-	-	1620173	QHB3, QN	
7	31510-ZE1-003	COIL ASSY., LAMP(12V/15W)....	-	1	-	-	-	EWS1, EWS3, EWS4, EWS5, VMQ3, VMT3	
	31510-ZE1-811	COIL ASSY., LAMP(12V/25W)....	-	1	-	-	-	LHP1	

E-20-1

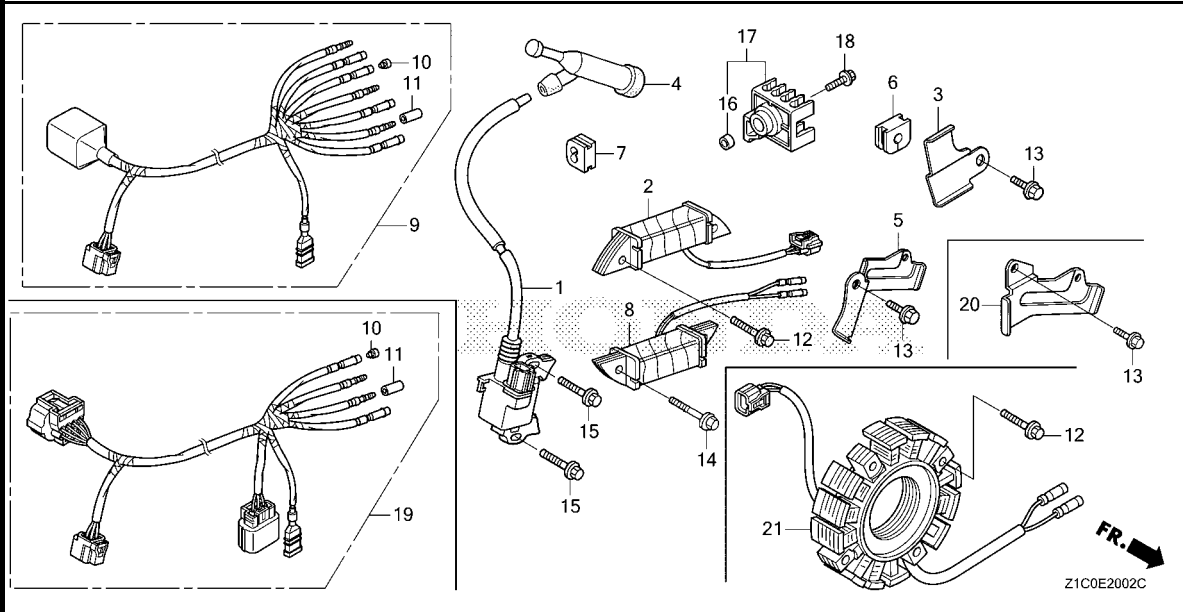
IGNITION COIL(2)

Ref. No.	Part No.	Description	Reqd. QTY					Serial No.	Parts catalogue code
			GX 390 T1	GX 390 T2	GX 390 T2X	GX 390 UT2	GX 390 UT2X		
8	31511-ZE3-000	CLAMPER, CORD	-	1	-	-	-	-----	EDS1, EDS5, ES5, EWS1, EWS3, EWS4, EWS5, LEAJ, LHP1, LTK1, LWD, LXE5, LXE9, PXE5, QBE1, QBE1/A, QP, QTE, QX5, QXE, QXE5, QXEK, SEM, SMEJ, SMM, SMTP, SWE2, SWX, SWX2, SX5, SXE5, VEP5, VMQ3, VMT, VMT2, VMT3, VS15, VS5, VS6, VSB3, VSEP, VTE5, VWE5, VXE, VXEH, VXK, VXU1
9	90017-883-000	BOLT, FLANGE, 6X32(CT200)	-	2	-	-	-	-----	EWS1, EWS3, EWS4, EWS5, VMQ3, VMT3
	90012-888-000	BOLT, FLANGE, 6X40(CT200)	-	2	-	-	-	-----	LHP1
10	90013-883-000	BOLT, FLANGE, 6X12(CT200)	-	1	-	-	-	-----	EDS1, EDS5, ES5, EWS1, EWS3, EWS4, EWS5, LEAJ, LHP1, LTK1, LWD, LWD1, LWP1, LXE5, LXE9, PXE5, QBE1, QBE1/A, QNR5, QP, QTE, QX5, QXE, QXE5, QXEK, SEM, SMEJ, SMM, SMTP, SWD4, SWDH, SWDL, SWE2, SWX, SWX2, SX5, SXE5, VEP5, VMQ3, VMT, VMT2, VMT3, VS15, VS5, VS6, VSB3, VSEP, VTE5, VWE5, VXE, VXEH, VXK, VXU1
11	31630-ZE1-013	COIL ASSY., CHARGE(1A)	-	1	-	-	-	-----	EDS1, EDS5, ES5, EWS4, EWS5, LTK1, LXE5, LXE9, PXE5, QBE1, QBE1/A, QX5, QXE, QXE5, QXEK, SMEJ, SMTP, SWE2, SX5, SXE5, VMT, VMT2, VMT3, VS15, VS5, VS6, VSB3, VSEP, VTE5, VWE5, VXE, VXEH, VXK, VXU1
	31630-ZE2-842	COIL ASSY., CHARGE(3A)	-	1	-	-	-	-----	LEAJ, QTE, VEP5
12	90014-ZE6-000	BOLT, FLANGE, 6X35(CT200)	-	2	-	-	-	-----	EDS1, EDS5, ES5, EWS4, EWS5, LTK1, LXE5, LXE9, PXE5, QBE1, QBE1/A, QX5, QXE, QXE5, QXEK, SMEJ, SMTP, SWE2, SX5, SXE5, VMT, VMT2, VMT3, VS15, VS5, VS6, VSB3, VSEP, VTE5, VWE5, VXE, VXEH, VXK, VXU1
	90012-888-000	BOLT, FLANGE, 6X40(CT200)	-	2	-	-	-	-----	LEAJ, QTE
13	31510-ZE2-P31	COIL ASSY., LAMP(12V/50W)	-	1	-	-	-	-----	LWD
	31510-ZE2-811	-	1	-	-	-	-----	QP, SWX, SWX2
	31630-ZE2-861	COIL ASSY., CHARGE(10A)	-	1	-	-	-	-----	SEM, SMM
14	90012-888-000	BOLT, FLANGE, 6X40(CT200)	-	4	-	-	-	-----	LWD, LWD1, LWP1, QNR5, QP, SEM, SMM, SWD4, SWDH, SWDL, SWX, SWX2
			-	2	-	-	-	-----	VEP5
15	31511-ZE2-W00	CLAMPER, CORD	-	1	-	-	-	-----	LWD1, LWP1, QNR5, SWD4, SWDH, SWDL
16	31630-Z1C-003	COIL ASSY., CHARGE(12V-17A) ..	-	1	-	-	-	-----	LWD1, LWP1, QNR5, SWD4, SWDH, SWDL
17	90630-751-000	CLIP, PURSE LOCK	-	1	-	-	-	-----	EDS1, EDS5, ES5, EWS4, EWS5, LEAJ, LWD, LXE5, LXE9, PXE5, QBE1, QBE1/A, QNR5, QTE, QX5, QXE, QXE5, QXEK, SWE2, SX5, SXE5, VS15, VS5, VSEP, VTE5, VWE5, VMT5, VXE, VXK, VXU1
			-	1	-	-	-	-----	1805104 SMEJ
18	31512-ZE8-000	GROMMET, CORD	-	1	-	-	-	-----	QHB2, QHB2/A



E-20-2

IGNITION COIL(3)



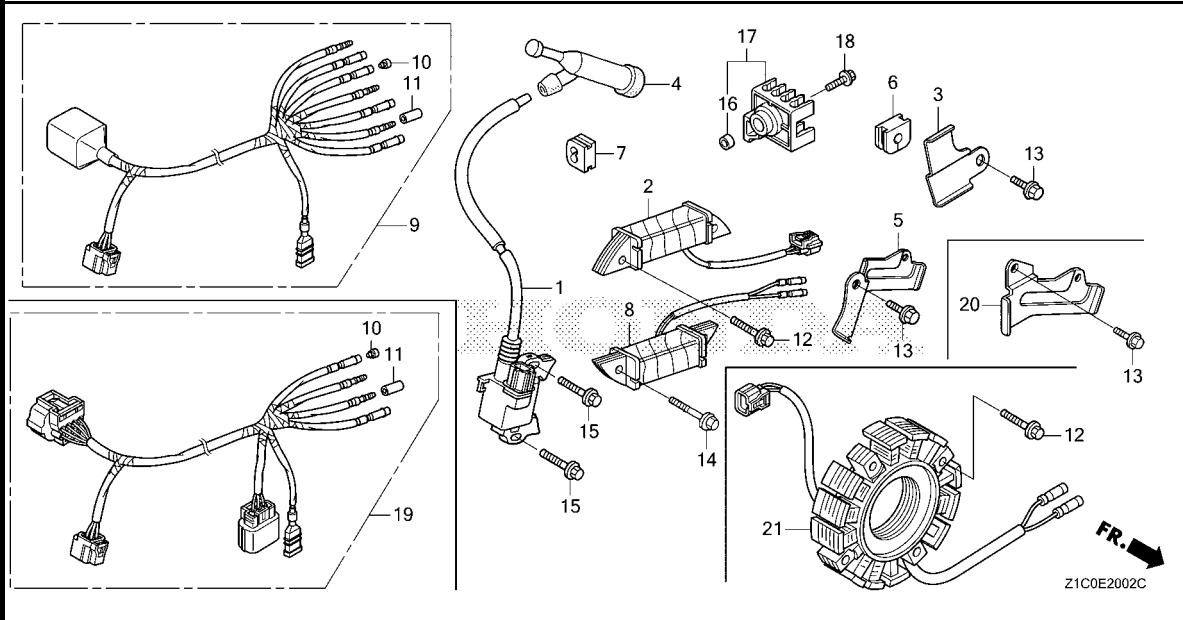
Ref. No.	L.O.N.	(Relative ref. Number) Description	F.R.T.
1	6141A5	COIL, IGNITION(ONE)	0.3
	6141A5E	.iGX type add	0.2
2	6141A9	COIL, POWER	0.7
4	6141B8	TERMINAL, HIGH TENSION	0.1
8	6131F3	(21) COIL, CHARGE(A)	0.7
9	6111C0	(19) HARNESS, ENGINE WIRE	0.4

Ref. No.	Part No.	Description	Reqd. QTY					Serial No.	Parts catalogue code
			GX 390 T1	GX 390 T2	GX 390 T2X	GX 390 UT2	GX 390 UT2X		
1	30500-Z5T-003	COIL ASSY., IGNITION	-	1	-	-	-	EZD5, EZDS, EZS4, EZS5, QZSD, QZSL, SZSK, VZKK, VZS5, VZS6, VZX	
	30500-Z5T-004	COIL ASSY., IGNITION(IIDA)	-	1	-	-	-	EZD5, QZSD, QZSL, SZSK, VZS6	
2	30595-Z5T-W01	COIL ASSY., POWER	-	1	-	-	-	EZD5, EZDS, EZS4, EZS5, VZKK, VZS5, VZS6, VZX	
3	30596-Z5T-W00	BRACKET B, HARNESS	-	1	-	-	-	EZD5, EZDS, EZS4, EZS5, QZSD, QZSL, SZSK, VZKK, VZS5, VZS6, VZX	
4	30700-Z1C-813	CAP ASSY., NOISE SUPPRESSOR (NGK Y-EZD)	-	1	-	-	-	EZD5, EZS4, QZSD, QZSL, SZSK, VZKK, VZS6, VZX	
	30700-Z1C-811	-	1	-	-	-	EZDS, EZS5, VZS5	
5	31511-Z5T-W00	CLAMPER, CORD	-	1	-	-	-	EZD5, EZDS, EZS4, EZS5, VZKK, VZS5, VZS6, VZX	
6	31512-Z5T-W00	GROMMET, CORD	-	1	-	-	-	EZD5, EZDS, EZS4, EZS5, QZSD, QZSL, SZSK, VZKK, VZS5, VZS6, VZX	
7	31512-ZE2-000	GROMMET, CORD	-	1	-	-	-	EZD5, EZDS, EZS4, EZS5, QZSD, QZSL, SZSK, VZKK, VZS5, VZS6, VZX	
8	31630-Z5T-W11	COIL ASSY., CHARGE(2.9A)	-	1	-	-	-	EZD5	
	31630-Z5T-W01	COIL ASSY., CHARGE(0.9A)	-	1	-	-	-	EZDS, EZS4, EZS5, VZKK, VZS5, VZS6, VZX	
9	32110-ZBH-W30	HARNESS ASSY., ENGINE WIRE	-	1	-	-	-	EZD5, SZSK	
	32110-ZBH-W00	-	1	-	-	-	EZDS, EZS4, EZS5, VZS5, VZS6	
	32110-ZBH-W01	-	1	-	-	1486540	QZSL	
	32110-ZBH-W20	-	1	-	-	1486541	QZSL	
10	32823-ZV5-003	PLUG, INNER CONNECTOR	-	1	-	-	-	EZD5, EZDS, EZS4, EZS5, SZSK, VZKK, VZS5, VZS6, VZX	
		-	1	-	-	-	1469642 QZSD	
		-	1	-	-	-	1486540 QZSL	
11	32824-ZV5-003	PLUG, OUTER CONNECTOR	-	1	-	-	-	EZD5, QZSD, QZSL, SZSK, VZKK, VZX	
12	90014-ZE6-000	BOLT, FLANGE, 6X35(CT200)	-	2	-	-	-	EZD5	
	90012-888-000	BOLT, FLANGE, 6X40(CT200)	-	4	-	-	-	QZSD, QZSL, SZSK	
		-	2	-	-	-	1043008 EZDS, EZS4, EZS5, VZKK, VZS5, VZS6, VZX	
	90014-ZE6-000	BOLT, FLANGE, 6X35(CT200)	-	2	-	-	1043009	EZDS, EZS4, EZS5, VZKK, VZS5, VZS6, VZX	
13	90013-883-000	BOLT, FLANGE, 6X12(CT200)	-	2	-	-	-	EZD5, EZDS, EZS4, EZS5, QZSD, QZSL, SZSK, VZKK, VZS5, VZS6, VZX	
14	90012-888-000	BOLT, FLANGE, 6X40(CT200)	-	2	-	-	-	EZD5	
	90014-ZE6-000	BOLT, FLANGE, 6X35(CT200)	-	2	-	-	1043008	EZDS, EZS4, EZS5, VZKK, VZS5, VZS6, VZX	

2

E-20-2

IGNITION COIL(3)

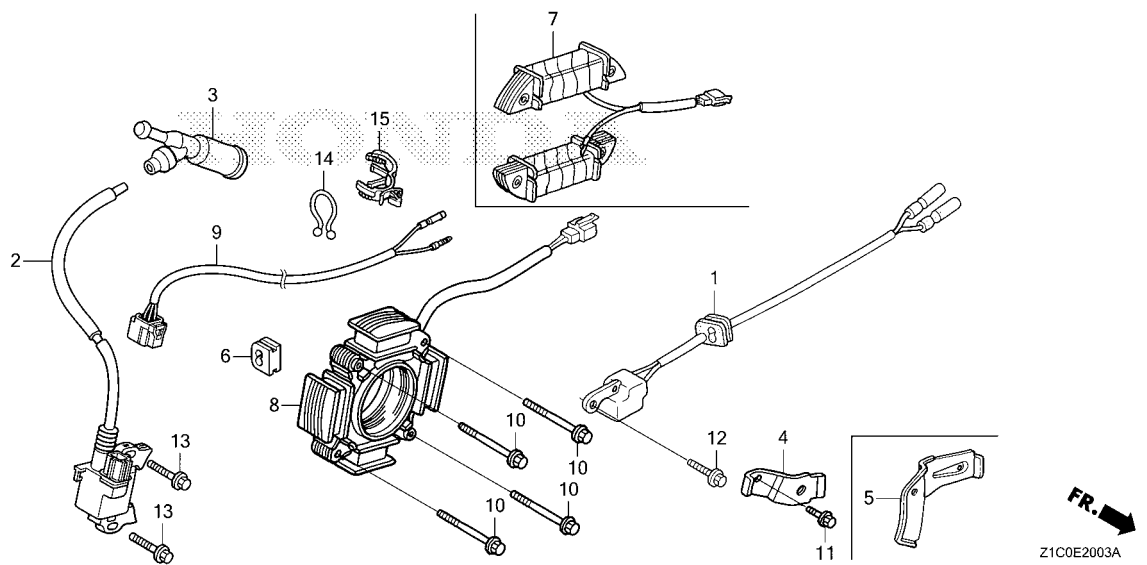


Ref. No.	Part No.	Description	Reqd. QTY					Serial No.	Parts catalogue code	
			GX 390 T1	GX 390 T2	GX 390 T2X	GX 390 UT2	GX 390 UT2X			
14)	90017-883-000	BOLT, FLANGE, 6X32(CT200).....	-	2	-	-	-	1043009	----- EZDS, EZS4, EZS5, VZKK, VZS5, VZS6, VZX	
15	90015-883-000	BOLT, FLANGE, 6X28(CT200).....	-	2	-	-	-	-----	----- EZD5, EZDS, EZS4, EZS5, QZSD, QZSL, SZSK, VZKK, VZS5, VZS6, VZX	
16	17239-ZE1-000	COLLAR B, AIR CLEANER.....	-	1	-	-	-	-----	----- EZD5, EZDS, EZS4, EZS5, QZSL, VZS5, VZS6	
17	32111-Z5T-W00	HOLDER, CONNECTOR.....	-	1	-	-	-	-----	----- EZD5, EZDS, EZS4, EZS5, QZSL, VZS5, VZS6	
18	90022-888-010	BOLT, FLANGE, 6X20(CT200).....	-	1	-	-	-	-----	----- EZD5, EZDS, EZS4, EZS5, QZSL, VZS5, VZS6	
19	32110-Z5T-W00	HARNESS ASSY., ENGINE WIRE....	-	1	-	-	-	-----	----- VZKK, VZX	
	32110-Z5T-W21	-	1	-	-	-	1469642	-----	----- QZSD
	32110-Z5T-U00	-	1	-	-	-	1469643	-----	----- QZSD
20	31511-Z5T-W10	CLAMPER, CORD.....	-	1	-	-	-	-----	----- QZSD, QZSL, SZSK	
21	31630-Z5T-W21	COIL ASSY., CHARGE(12A).....	-	1	-	-	-	-----	----- QZSD, QZSL	
	31630-Z5T-W31	COIL ASSY., CHARGE(20A).....	-	1	-	-	-	-----	----- SZSK	



E-20-3

IGNITION COIL(4)



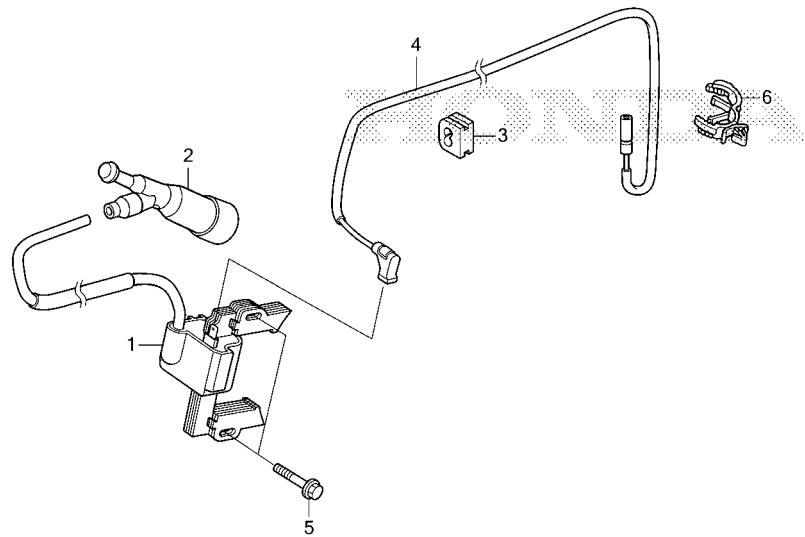
Ref. No.	L.O.N.	(Relative ref. Number) Description	F.R.T.
1	614120	COIL, PULSER	0.3
2	6141A5	COIL, IGNITION(ONE)	0.3
3	6141B8	TERMINAL, HIGH TENSION	0.1
8	6131C3	(7) COIL, CHARGE	0.4

Ref. No.	Part No.	Description	Reqd. QTY					Serial No.	Parts catalogue code
			GX 390 T1	GX 390 T2	GX 390 T2X	GX 390 UT2	GX 390 UT2X		
1	30310-ZK6-013	COIL ASSY., PULSER (IN/OUT TERMINAL)	-	1	-	-	-	SXX1	
2	30500-Z5T-004	COIL ASSY., IGNITION(IIDA)	-	1	-	1	1	LFU, QKA5, QMAH, QMAH/A, SC15, SC5, SCC, SME5	
	30500-Z5T-003	COIL ASSY., IGNITION	-	1	-	1	1	LFU, QKA5, QMAH, QMAH/A, SC15, SC5, SCC, SME5, SXX	
3	30700-Z1C-813	CAP ASSY., NOISE SUPPRESSOR (NGK Y-EZD)	-	1	-	1	1	LFU, QKA5, QMAH, QMAH/A, SC15, SC5, SCC, SME5, SXX	
4	31511-ZE2-W00	CLAMPER, CORD	-	1	-	1	1	LFU, SXX1	
5	31511-ZE3-000	CLAMPER, CORD	-	1	-	1	1	QKA5, QMAH, QMAH/A, SC15, SC5, SCC, SME5, SXX	
6	31512-ZE2-000	GROMMET, CORD	-	1	-	1	1	LFU, QKA5, QMAH, QMAH/A, SC15, SC5, SCC, SME5, SXX	
7	31630-ZE2-861	COIL ASSY., CHARGE(10A)	-	1	-	1	1	QKA5, QMAH, QMAH/A, SC15, SC5, SCC, SME5	
	31630-ZF6-U01	COIL ASSY., CHARGE(3.9A)	-	1	-	-	-	SXX	
8	31630-Z1C-801	COIL ASSY., CHARGE(12V-9.5A)	-	1	-	-	-	SXX1	
	31630-Z1C-003	COIL ASSY., CHARGE(12V-17A)	-	-	-	1	1	LFU	
9	32110-Z5K-810	HARNESS ASSY., ENGINE WIRE (SEL)	-	1	-	1	-	QKA5, QMAH, QMAH/A, SC15, SC5	
	32110-Z5K-000	HARNESS ASSY., ENGINE WIRE	-	1	-	-	-	SME5	
	32110-Z5K-800	HARNESS ASSY., ENGINE WIRE	-	1	-	-	-	SXX	
	32110-Z5K-820	HARNESS ASSY., ENGINE WIRE (SEL)	-	-	-	1	1	SCC	
	32110-Z5K-810	-	-	-	1	-	LFU	3376768
		-	-	-	1	-	LFU	3376769
		-	-	-	1	-	LFU, QMAH	
10	90012-888-000	BOLT, FLANGE, 6X40(CT200)	-	4	-	4	4	LFU, QKA5, QMAH, QMAH/A, SC15, SC5, SCC, SME5, SXX, SXX1	
11	90013-883-000	BOLT, FLANGE, 6X12(CT200)	-	1	-	1	1	LFU, QKA5, QMAH, QMAH/A, SC15, SC5, SCC, SME5, SXX, SXX1	
12	90014-952-000	BOLT, FLANGE, 6X14(CT200)	-	1	-	-	-	SXX1	
13	90015-883-000	BOLT, FLANGE, 6X28(CT200)	-	2	-	2	2	LFU, QKA5, QMAH, QMAH/A, SC15, SC5, SCC, SME5, SXX	
14	90630-751-000	CLIP, PURSE LOCK	-	1	-	1	1	QKA5, QMAH, QMAH/A, SC5, SXX	
15	90684-ZA0-601	CLIP, HARNESS	-	1	-	-	-	SME5, SXX	

2

E-20-4

IGNITION COIL(5)



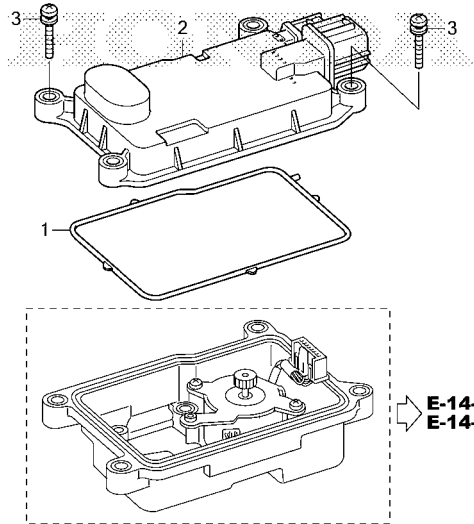
Ref. No.	L.O.N.	(Relative ref. Number) Description	F.R.T.
1	6141A5	COIL, IGNITION(ONE)	0.3
2	6141B8	TERMINAL, HIGH TENSION	0.1
4	6111B3	CORD, STOP SWITCH	0.3

Ref. No.	Part No.	Description	Reqd. QTY					Serial No.	Parts catalogue code
			GX 390 T1	GX 390 T2	GX 390 T2X	GX 390 UT2	GX 390 UT2X		
1	30500-Z1C-901	COIL ASSY., IGNITION.....	-	1	-	-	-	LBD, QBD, QBT	
	30500-Z1C-911	-	1	-	-	-	LBP, QBL, QBP	
	30500-Z1C-831	COIL ASSY., IGNITION(WALBRO)·	-	1	-	-	-	QBHZ	
	30500-Z1C-841	-	1	-	-	1605165	LBH, LBHS, QBH, QBHS	
	30500-Z1C-841	-	1	-	-	1605641	LBHB	
2	30700-Z1C-013	TERMINAL ASSY., HIGH TENSION·	-	1	-	-	-	LBD, LBP, QBD, QBL, QBP, QBT	
	30700-Z1C-821	TERMINAL ASSY., HIGH TENSION (NGK Y-EZD)	-	1	-	-	-	1640618 QBHZ	
			-	1	-	-	1605165	1640618 LBH, LBHS, QBH, QBHS	
			-	1	-	-	1605641	1638476 LBHB	
	30700-Z1C-013	TERMINAL ASSY., HIGH TENSION·	-	1	-	-	1638477	LBHB	
			-	1	-	-	1640619	LBH, LBHS, QBH, QBHS, QBHZ	
3	31512-ZE2-000	GROMMET, CORD	-	1	-	-	-	LBD, LBP, QBD, QBHZ, QBL, QBP, QBT	
			-	1	-	-	1605165	LBH, LBHS, QBH, QBHS	
			-	1	-	-	1605641	LBHB	
4	32195-Z1C-000	CORD, STOP SWITCH	-	1	-	-	-	LBD, LBP, QBD, QBHZ, QBL, QBP, QBT	
			-	1	-	-	1605165	LBH, LBHS, QBH, QBHS	
			-	1	-	-	1605641	LBHB	
5	90015-883-000	BOLT, FLANGE, 6X28(CT200).....	-	2	-	-	-	LBD, LBP, QBD, QBHZ, QBL, QBP, QBT	
			-	2	-	-	1605165	LBH, LBHS, QBH, QBHS	
			-	2	-	-	1605641	LBHB	
6	90684-ZA0-601	CLIP, HARNESS	-	1	-	-	-	LBD, LBP, QBD, QBHZ, QBL, QBP, QBT	
			-	1	-	-	1605165	LBH, LBHS, QBH, QBHS	
			-	1	-	-	1605641	LBHB	



E-20-10

ELECTRONIC CONTROL UNIT



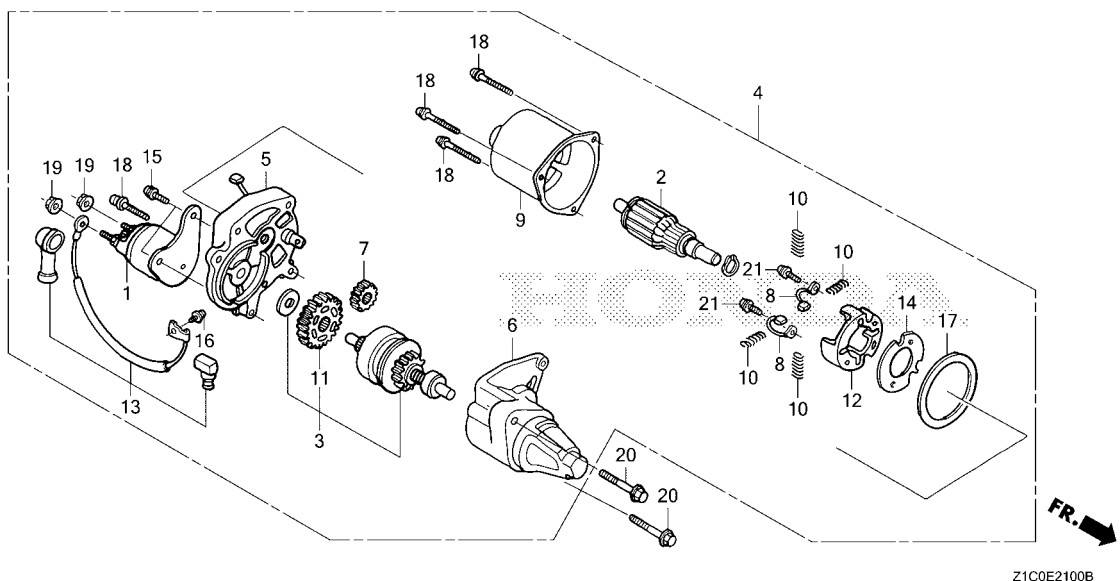
Ref. No.	L.O.N.	(Relative ref. Number) Description	F.R.T.
1	3111W6	SEAL, ELECTRONIC CONTROL UNIT COVER	0.3
2	6211A6	CONTROL UNIT, ELECTRONIC	0.6

Z1C0E2010B

Ref. No.	Part No.	Description	Reqd. QTY					Serial No.	Parts catalogue code
			GX 390 T1	GX 390 T2	GX 390 T2X	GX 390 UT2	GX 390 UT2X		
1	16755-Z5T-W00	SEAL, ELECTRONIC CONTROL UNIT COVER	-	1	-	-	-	-----	EZD5, EZDS, EZS4, EZS5, QZSD, QZSL, SZSK, VZKK, VZS5, VZS6, VZX
2	34750-Z5T-U22	CONTROL UNIT, ELECTRONIC	-	1	-	-	-	-----	EZD5
	34750-Z5T-U01	-	1	-	-	-	-----	QZSD
	34750-Z1C-W51	-	1	-	-	-	-----	SZSK
	34750-Z5T-W31	-	1	-	-	-	-----	1076670 VZX
	34750-Z5T-W81	-	1	-	-	-	-----	1486540 EZDS, EZS4, EZS5, VZS5
	34750-Z5T-U51	-	1	-	-	-	-----	1486540 QZSL
	34750-Z5T-V11	-	1	-	-	-	-----	1486540 VZKK
	34750-Z5T-V01	-	1	-	-	-	-----	1486540 VZS6
	34750-Z5T-W32	-	1	-	-	1076671	-----	1486540 VZX
	34750-Z5T-W82	-	1	-	-	1486541	-----	EZDS, EZS4, EZS5, VZS5
	34750-Z5T-U01	-	1	-	-	1486541	-----	QZSL
	34750-Z5T-V12	-	1	-	-	1486541	-----	VZKK
	34750-Z5T-V02	-	1	-	-	1486541	-----	VZS6
	34750-Z5T-W33	-	1	-	-	1486541	-----	VZX
3	93891-04020-07	SCREW-WASHER, 4X20	-	4	-	-	-	-----	EZD5, EZDS, EZS4, EZS5, QZSD, QZSL, SZSK, VZKK, VZS5, VZS6, VZX

E-21

STARTER MOTOR(1)



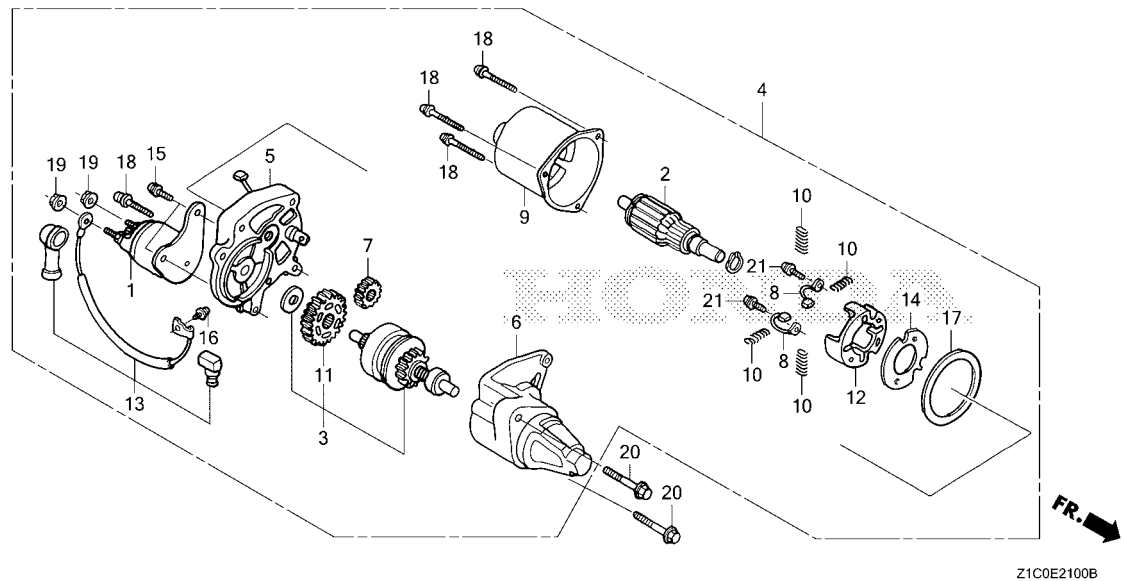
Ref. No.	L.O.N.	(Relative ref. Number) Description	F.R.T.
1	6121E5	CONTACTOR, STARTER	0.2
2	6121A0	ARMATURE, STARTER	0.4
3	6121B0	CLUTCH, OVERRUNNING	0.4
4	6121D5	MOTOR, STARTER	0.2
5	6121C3	BRACKET, STARTER :CENTER	0.4
6	6121D2	BRACKET, STARTER :FRONT	0.3
7	6121B2	GEAR SET, STARTER PINION	0.4
8	6121A9	BRUSH, STARTER	0.4

Ref. No.	Part No.	Description	Reqd. QTY					Serial No.	Parts catalogue code
			GX 390 T1	GX 390 T2	GX 390 T2X	GX 390 UT2	GX 390 UT2X		
1	31204-ZA0-003	CONTACTOR ASSY.	1	1	-	1	1	-----	EDS1, EDS5, ES5, EWS4, EWS5, LEAJ, LFU, LTK1, LWD, LWD1, LWP1, LXE5, LXE8, LXE9, PXE5, PXE8, QBE1, QBE1/A, QKA5, QMAH, QMAH/A, QNR5, QTE, QX5, QXE, QXE5, QXE8, QXEK, SC15, SC5, SCC, SEM, SHE, SMEJ, SMTP, SWD4, SWDH, SWDL, SWE, SWE2, SX5, SXE, SXE5, SXE8, VMT, VMT2, VMT3, VS15, VS5, VS6, VSB3, VSB5, VSEP, VTE5, VME5, VMT5, VXE, VXE8, VXE9, VXX, VXU1
2	31206-ZE3-003	ARMATURE COMP.	1	1	-	1	1	-----	EDS1, EDS5, ES5, EWS4, EWS5, LEAJ, LFU, LTK1, LWD, LWD1, LWP1, LXE5, LXE8, LXE9, PXE5, PXE8, QBE1, QBE1/A, QKA5, QMAH, QMAH/A, QNR5, QTE, QX5, QXE, QXE5, QXE8, QXEK, SC15, SC5, SCC, SEM, SHE, SMEJ, SMTP, SWD4, SWDH, SWDL, SWE, SWE2, SX5, SXE, SXE5, SXE8, VMT, VMT2, VMT3, VS15, VS5, VS6, VSB3, VSB5, VSEP, VTE5, VME5, VMT5, VXE, VXE8, VXE9, VXX, VXU1
3	31207-ZE3-003	CLUTCH COMP., OVERRUNNING	1	-	-	1	-	-----	LXE8, LXE9, PXE8, QBE1, QMAH, QXE, QXE8, QXEK, SHE, SWE, SWE2, SXE, SXE8, VMT2, VMT3, VS6, VSB5, VTE5, VXE, VXE8, VXX, VXU1
	31208-ZE3-003	-	1	-	1	-	-----	LFU, SEM, SWD4, SWDH, VSEP
	31207-ZE3-003	-	1	-	-	-	-----	EDS1, LTK1, LWD, QBE1, SMTP, SWE2, VMT, VMT2, VSB3, VTE5, VXU1
	31208-ZE3-003	-	1	-	-	2059848	-----	EDS5, ES5, EWS4, EWS5, LEAJ, LWD1, LWP1, LXE5, LXE9, PXE5, QBE1/A, QKA5, QNR5, QTE, QX5, QXE, QXE5, QXEK, SC15, SC5, SMEJ, SWDL, SX5, SXE5, VMT3, VS15, VS5, VS6, VME5, VMT5, VXE, VXE8, VXX
	31208-ZE3-003	-	1	-	-	2059849	-----	EDS5, ES5, EWS4, EWS5, LEAJ, LWD1, LWP1, LXE5, LXE9, PXE5, QBE1/A, QKA5, QNR5, QTE, QX5, QXE, QXE5, QXEK, SC15, SC5, SMEJ, SWDL, SX5, SXE5, VMT3, VS15, VS5, VS6, VME5, VMT5, VXE, VXE8, VXX
	31207-ZE3-003	-	-	-	1	-	-----	3124730 QMAH/A, SCC
	31208-ZE3-003	-	-	-	1	3124731	-----	QMAH/A, SCC
4	31210-ZE3-023	MOTOR UNIT, STARTER	1	-	-	1	-	-----	QBE1, QMAH, SWE2, VMT2, VMT3, VS6, VSB5
	31210-ZE3-013	1	-	-	-	-	-----	LXE8, PXE8, QXE8, SXE8, VXE8
	31210-ZE3-023	1	-	-	-	1446390	-----	LXE9, QXE, QXEK, SHE, SWE, SXE, VTE5, VXE, VXX, VXU1
	31210-ZE3-023	1	-	-	-	1446391	-----	LXE9, QXE, QXEK, SHE, SWE, SXE, VTE5, VXE, VXX, VXU1



E-21

STARTER MOTOR(1)



Z1C0E2100B

Ref. No.	Part No.	Description	Reqd. QTY					Serial No.	Parts catalogue code
			GX 390 T1	GX 390 T2	GX 390 T2X	GX 390 UT2	GX 390 UT2X		
(4)	31210-ZE3-033	MOTOR UNIT, STARTER.....	-	1	-	1	-	LFU, SEM, SWD4, SWDH, VSEP	
	31210-ZE3-023	-	1	-	-	-	EDS1, LTK1, LWD, QBE1, SMTP, SWE2, VMT, VMT2, VSB3, VTE5, VXU1	
			-	1	-	-	2059848	EDS5, ES5, EWS4, EWS5, LEAJ, LWD1, LWP1, LXE5, LXE9, PXE5, QBE1/A, QKA5, QNR5, QTE, QX5, QXE, QXE5, QXEK, SC15, SC5, SMEJ, SWDL, SX5, SXE5, VMT3, VS15, VS5, VS6, VWE5, VWT5, VXE, VXEH, VXX	
	31210-ZE3-033	-	1	-	-	2059849	EDS5, ES5, EWS4, EWS5, LEAJ, LWD1, LWP1, LXE5, LXE9, PXE5, QBE1/A, QKA5, QNR5, QTE, QX5, QXE, QXE5, QXEK, SC15, SC5, SMEJ, SWDL, SX5, SXE5, VMT3, VS15, VS5, VS6, VWE5, VWT5, VXE, VXEH, VXX	
	31210-ZE3-023	-	-	-	1	-	3124730 QMAH/A, SCC	
	31210-ZE3-033	-	-	-	1	3124731	QMAH/A, SCC	
5	31211-ZE2-003	BRACKET, CENTER.....	1	1	-	1	1	EDS1, EDS5, ES5, EWS4, EWS5, LEAJ, LFU, LTK1, LWD, LWD1, LWP1, LXE5, LXE8, LXE9, PXE5, PXE8, QBE1, QBE1/A, QKA5, QMAH, QMAH/A, QNR5, QTE, QX5, QXE, QXE5, QXE8, QXEK, SC15, SC5, SCC, SEM, SHE, SMEJ, SMTP, SWD4, SWDH, SWDL, SWE, SWE2, SX5, SXE, SXE5, SXE8, VMT, VMT2, VMT3, VS15, VS5, VS6, VSB3, VSB5, VSEP, VTE5, VWE5, VWT5, VXE, VXE8, VXEH, VXX, VXU1	
6	31212-ZE3-003	BRACKET, FR.	1	1	-	1	1	EDS1, EDS5, ES5, EWS4, EWS5, LEAJ, LFU, LTK1, LWD, LWD1, LWP1, LXE5, LXE8, LXE9, PXE5, PXE8, QBE1, QBE1/A, QKA5, QMAH, QMAH/A, QNR5, QTE, QX5, QXE, QXE5, QXE8, QXEK, SC15, SC5, SCC, SEM, SHE, SMEJ, SMTP, SWD4, SWDH, SWDL, SWE, SWE2, SX5, SXE, SXE5, SXE8, VMT, VMT2, VMT3, VS15, VS5, VS6, VSB3, VSB5, VSEP, VTE5, VWE5, VWT5, VXE, VXE8, VXEH, VXX, VXU1	

E-21

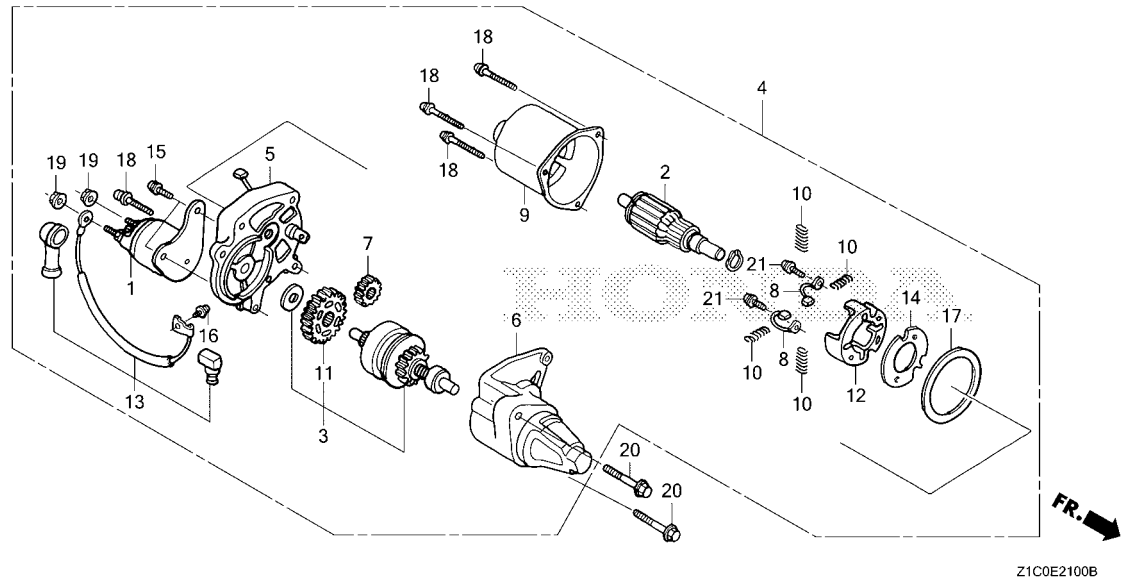
STARTER MOTOR(1)

Ref. No.	Part No.	Description	Reqd. QTY					Serial No.	Parts catalogue code
			GX 390 T1	GX 390 T2	GX 390 T2X	GX 390 UT2	GX 390 UT2X		
7	31213-ZE2-003	GEAR, DRIVE PINION	1	1	-	1	1	-----	EDS1, EDS5, ES5, EWS4, EWS5, LEAJ, LFU, LTK1, LWD, LWD1, LWP1, LXE5, LXE8, LXE9, PXE5, PXE8, QBE1, QBE1/A, QKA5, QMAH, QMAH/A, QNR5, QTE, QX5, QXE, QXE5, QXE8, QXEK, SC15, SC5, SCC, SEM, SHE, SMEJ, SMTP, SWD4, SWDH, SWDL, SWE, SWE2, SX5, SXE, SXE5, SXE8, VMT, VMT2, VMT3, VS15, VS5, VS6, VSB3, VSB5, VSEP, VTE5, VWE5, VWT5, VXE, VXE8, VXEH, VXX, VXU1
8	31215-ZE2-003	BRUSH	2	2	-	2	2	-----	EDS1, EDS5, ES5, EWS4, EWS5, LEAJ, LFU, LTK1, LWD, LWD1, LWP1, LXE5, LXE8, LXE9, PXE5, PXE8, QBE1, QBE1/A, QKA5, QMAH, QMAH/A, QNR5, QTE, QX5, QXE, QXE5, QXE8, QXEK, SC15, SC5, SCC, SEM, SHE, SMEJ, SMTP, SWD4, SWDH, SWDL, SWE, SWE2, SX5, SXE, SXE5, SXE8, VMT, VMT2, VMT3, VS15, VS5, VS6, VSB3, VSB5, VSEP, VTE5, VWE5, VWT5, VXE, VXE8, VXEH, VXX, VXU1
9	31218-ZE3-003	YOKE COMP.	1	1	-	1	1	-----	EDS1, EDS5, ES5, EWS4, EWS5, LEAJ, LFU, LTK1, LWD, LWD1, LWP1, LXE5, LXE8, LXE9, PXE5, PXE8, QBE1, QBE1/A, QKA5, QMAH, QMAH/A, QNR5, QTE, QX5, QXE, QXE5, QXE8, QXEK, SC15, SC5, SCC, SEM, SHE, SMEJ, SMTP, SWD4, SWDH, SWDL, SWE, SWE2, SX5, SXE, SXE5, SXE8, VMT, VMT2, VMT3, VS15, VS5, VS6, VSB3, VSB5, VSEP, VTE5, VWE5, VWT5, VXE, VXE8, VXEH, VXX, VXU1
10	31219-ZE2-003	SPRING, BRUSH RETURN	4	4	-	4	4	-----	EDS1, EDS5, ES5, EWS4, EWS5, LEAJ, LFU, LTK1, LWD, LWD1, LWP1, LXE5, LXE8, LXE9, PXE5, PXE8, QBE1, QBE1/A, QKA5, QMAH, QMAH/A, QNR5, QTE, QX5, QXE, QXE5, QXE8, QXEK, SC15, SC5, SCC, SEM, SHE, SMEJ, SMTP, SWD4, SWDH, SWDL, SWE, SWE2, SX5, SXE, SXE5, SXE8, VMT, VMT2, VMT3, VS15, VS5, VS6, VSB3, VSB5, VSEP, VTE5, VWE5, VWT5, VXE, VXE8, VXEH, VXX, VXU1
11	31222-ZE3-791	GEAR, REDUCTION	1	1	-	1	1	-----	EDS1, EDS5, ES5, EWS4, EWS5, LEAJ, LFU, LTK1, LWD, LWD1, LWP1, LXE5, LXE8, LXE9, PXE5, PXE8, QBE1, QBE1/A, QKA5, QMAH, QMAH/A, QNR5, QTE, QX5, QXE, QXE5, QXE8, QXEK, SC15, SC5, SCC, SEM, SHE, SMEJ, SMTP, SWD4, SWDH, SWDL, SWE, SWE2, SX5, SXE, SXE5, SXE8, VMT, VMT2, VMT3, VS15, VS5, VS6, VSB3, VSB5, VSEP, VTE5, VWE5, VWT5, VXE, VXE8, VXEH, VXX, VXU1
12	31231-ZE2-003	HOLDER, BRUSH	1	1	-	1	1	-----	EDS1, EDS5, ES5, EWS4, EWS5, LEAJ, LFU, LTK1, LWD, LWD1, LWP1, LXE5, LXE8, LXE9, PXE5, PXE8, QBE1, QBE1/A, QKA5, QMAH, QMAH/A, QNR5, QTE, QX5, QXE, QXE5, QXE8, QXEK, SC15, SC5, SCC, SEM, SHE, SMEJ, SMTP, SWD4, SWDH, SWDL, SWE, SWE2, SX5, SXE, SXE5, SXE8, VMT, VMT2, VMT3, VS15, VS5, VS6, VSB3, VSB5, VSEP, VTE5, VWE5, VWT5, VXE, VXE8, VXEH, VXX, VXU1
13	31232-ZE3-003	WIRE, WATER COVER	1	1	-	1	1	-----	EDS1, EDS5, ES5, EWS4, EWS5, LEAJ, LFU, LTK1, LWD, LWD1, LWP1, LXE5, LXE8, LXE9, PXE5, PXE8, QBE1, QBE1/A, QKA5, QMAH, QMAH/A, QNR5, QTE, QX5, QXE, QXE5, QXE8, QXEK, SC15, SC5, SCC, SEM, SHE, SMEJ, SMTP, SWD4, SWDH, SWDL, SWE, SWE2, SX5, SXE, SXE5, SXE8, VMT, VMT2, VMT3, VS15, VS5, VS6, VSB3, VSB5, VSEP, VTE5, VWE5, VWT5, VXE, VXE8, VXEH, VXX, VXU1
14	31233-ZE2-003	INSULATOR	1	1	-	1	1	-----	EDS1, EDS5, ES5, EWS4, EWS5, LEAJ, LFU, LTK1, LWD, LWD1, LWP1, LXE5, LXE8, LXE9, PXE5, PXE8, QBE1, QBE1/A, QKA5, QMAH, QMAH/A, QNR5, QTE, QX5, QXE, QXE5, QXE8, QXEK, SC15, SC5, SCC, SEM, SHE, SMEJ, SMTP, SWD4, SWDH, SWDL, SWE, SWE2, SX5, SXE, SXE5, SXE8, VMT, VMT2, VMT3, VS15, VS5, VS6, VSB3, VSB5, VSEP, VTE5, VWE5, VWT5, VXE, VXE8, VXEH, VXX, VXU1
15	90007-ZE2-003	BOLT-WASHER, 5X14	2	2	-	2	2	-----	EDS1, EDS5, ES5, EWS4, EWS5, LEAJ, LFU, LTK1, LWD, LWD1, LWP1, LXE5, LXE8, LXE9, PXE5, PXE8, QBE1, QBE1/A, QKA5, QMAH, QMAH/A, QNR5, QTE, QX5, QXE, QXE5, QXE8, QXEK, SC15, SC5, SCC, SEM, SHE, SMEJ, SMTP, SWD4, SWDH, SWDL, SWE, SWE2, SX5, SXE, SXE5, SXE8, VMT, VMT2, VMT3, VS15, VS5, VS6, VSB3, VSB5, VSEP, VTE5, VWE5, VWT5, VXE, VXE8, VXEH, VXX, VXU1



E-21

STARTER MOTOR(1)



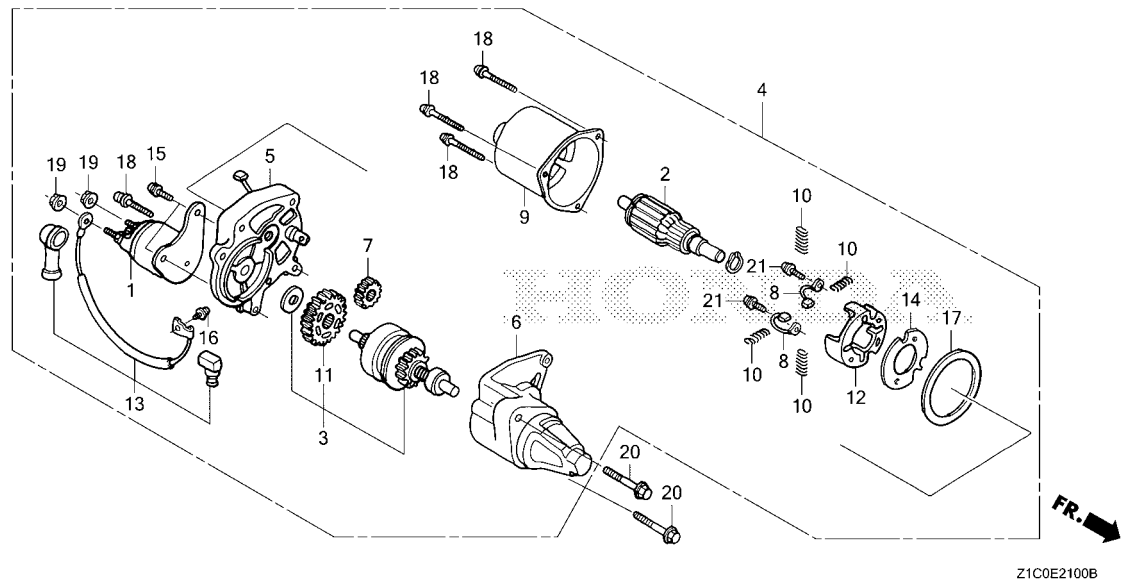
Z1COE2100B

Ref. No.	Part No.	Description	Reqd. QTY					Serial No.	Parts catalogue code
			GX 390 T1	GX 390 T2	GX 390 T2X	GX 390 UT2	GX 390 UT2X		
16	90110-ZE2-003	SCREW-WASHER, 4X6	1	1	-	1	1	-----	EDS1, EDS5, ES5, EWS4, EWS5, LEAJ, LFU, LTK1, LWD, LWD1, LWP1, LXE5, LXE8, LXE9, PXE5, PXE8, QBE1, QBE1/A, QKA5, QMAH, QMAH/A, QNR5, QTE, QX5, QXE, QXE5, QXE8, QXEK, SC15, SC5, SCC, SEM, SHE, SMEJ, SMTP, SWD4, SWDH, SWDL, SWE, SWE2, SX5, SXE, SXE5, SXE8, VMT, VMT2, VMT3, VS15, VS5, VS6, VSB3, VSB5, VSEP, VTE5, VME5, VMT5, VXE, VXE8, VXEH, VXX, VXU1
17	91601-ZE2-003	PACKING	1	1	-	1	1	-----	EDS1, EDS5, ES5, EWS4, EWS5, LEAJ, LFU, LTK1, LWD, LWD1, LWP1, LXE5, LXE8, LXE9, PXE5, PXE8, QBE1, QBE1/A, QKA5, QMAH, QMAH/A, QNR5, QTE, QX5, QXE, QXE5, QXE8, QXEK, SC15, SC5, SCC, SEM, SHE, SMEJ, SMTP, SWD4, SWDH, SWDL, SWE, SWE2, SX5, SXE, SXE5, SXE8, VMT, VMT2, VMT3, VS15, VS5, VS6, VSB3, VSB5, VSEP, VTE5, VME5, VMT5, VXE, VXE8, VXEH, VXX, VXU1
18	93892-05032-18	SCREW-WASHER, 5X32	4	4	-	4	4	-----	EDS1, EDS5, ES5, EWS4, EWS5, LEAJ, LFU, LTK1, LWD, LWD1, LWP1, LXE5, LXE8, LXE9, PXE5, PXE8, QBE1, QBE1/A, QKA5, QMAH, QMAH/A, QNR5, QTE, QX5, QXE, QXE5, QXE8, QXEK, SC15, SC5, SCC, SEM, SHE, SMEJ, SMTP, SWD4, SWDH, SWDL, SWE, SWE2, SX5, SXE, SXE5, SXE8, VMT, VMT2, VMT3, VS15, VS5, VS6, VSB3, VSB5, VSEP, VTE5, VME5, VMT5, VXE, VXE8, VXEH, VXX, VXU1
19	94070-06080	NUT-WASHER, 6MM	2	2	-	2	2	-----	EDS1, EDS5, ES5, EWS4, EWS5, LEAJ, LFU, LTK1, LWD, LWD1, LWP1, LXE5, LXE8, LXE9, PXE5, PXE8, QBE1, QBE1/A, QKA5, QMAH, QMAH/A, QNR5, QTE, QX5, QXE, QXE5, QXE8, QXEK, SC15, SC5, SCC, SEM, SHE, SMEJ, SMTP, SWD4, SWDH, SWDL, SWE, SWE2, SX5, SXE, SXE5, SXE8, VMT, VMT2, VMT3, VS15, VS5, VS6, VSB3, VSB5, VSEP, VTE5, VME5, VMT5, VXE, VXE8, VXEH, VXX, VXU1



E-21

STARTER MOTOR(1)



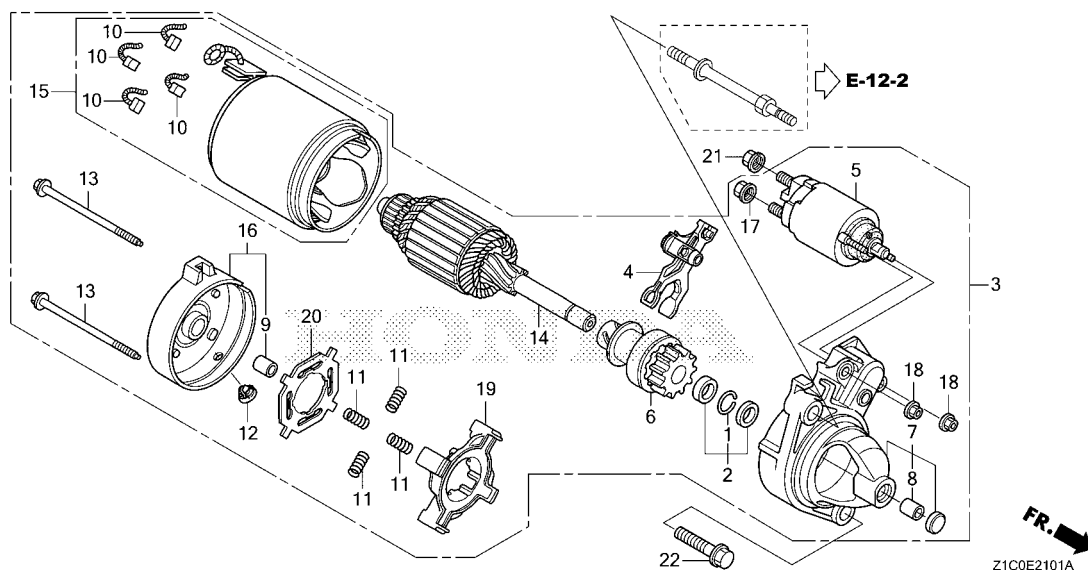
Z1C0E2100B



Ref. No.	Part No.	Description	Reqd. QTY					Serial No.	Parts catalogue code	
			GX 390 T1	GX 390 T2	GX 390 T2X	GX 390 UT2	GX 390 UT2X			
20	95701-08035-08	BOLT, FLANGE, 8X35	2	2	-	2	2	-----	EDS1,EDS5,ES5,EWS4,EWS5,LEAJ,LFU,LTK1,LWD,LWD1,LWP1,LXE5,LXE8,LXE9,PXE5,PXE8,QBE1,QBE1/A,QKA5,QMAH,QMAH/A,QNR5,QTE,QX5,QXE,QXE5,QXE8,QXEK,SC15,SC5,SCC,SEM,SHE,SMEJ,SMTP,SWD4,SWDH,SWDL,SWE,SWE2,SX5,SXE,SXE5,SXE8,VMT,VMT2,VMT3,VS15,VS5,VS6,VS8,VS3,VS5,VSEP,VTE5,VWE5,VMT5,VXE,VXE8,VXEH,VXK,VXU1	
21	31219-ZE3-003	SCREW-WASHER, 4X14	2	-	-	2	2	-----	LFU,QBE1,QMAH,QMAH/A,SCC,SWE2,VMT2,VMT3,VS6,VS8	
			2	-	-	-	-	1446391	-----	LXE9,QXE,QXEK,SHE,SWE,SXE,VTE5,VXE,VXK,VXU1
			-	2	-	-	-	-----	-----	EDS1,EDS5,ES5,EWS4,EWS5,LEAJ,LTK1,LWD,LWD1,LWP1,LXE5,LXE9,PXE5,QBE1,QBE1/A,QKA5,QNR5,QTE,QX5,QXE,QXE5,QXEK,SC15,SC5,SEM,SMEJ,SMTP,SWD4,SWDH,SWDL,SWE2,SX5,SXE5,VMT,VMT2,VMT3,VS15,VS5,VS6,VS8,VSEP,VTE5,VWE5,VMT5,VXE,VXEH,VXK,VXU1

E-21-1

STARTER MOTOR(2)

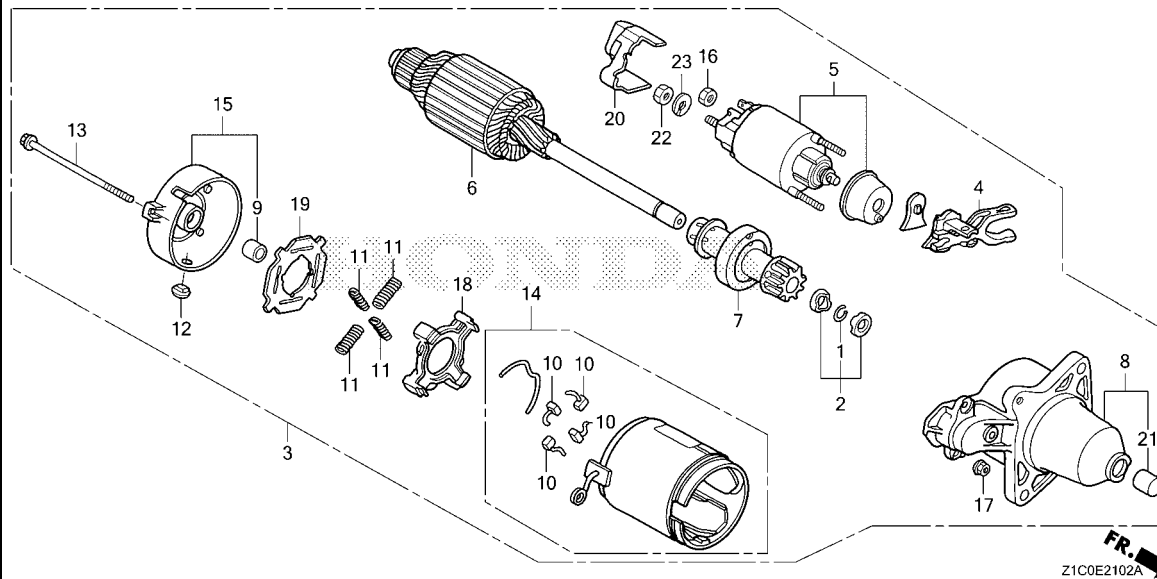


Ref. No.	L.O.N.	(Relative ref. Number) Description	F.R.T.
3	6121E0	MOTOR, STARTER(A)	0.4
5	6121F5	SWITCH, STARTER MAGNETIC(A) ..	0.6
6		(1,2)	
	6121D8	CLUTCH, OVERRUNNING(A)	0.8
10	6121D7	BRUSH, STARTER(A)	0.7
14	6121C4	ARMATURE, STARTER(A)	0.9
15	6121F9	YOKE ASSEMBLY, STARTER	0.6
19		(11)	
	6121B6	HOLDER, STARTER BRUSH	0.5

Ref. No.	Part No.	Description	Reqd. QTY					Serial No.	Parts catalogue code
			GX 390 T1	GX 390 T2	GX 390 T2X	GX 390 UT2	GX 390 UT2X		
1	30201-PH9-004	RING, SNAP(DENSO)	-	1	-	-	-	EZD5, EZDS, EZS4, EZS5, QZSD, QZSL, SZSK, VZKK, VZS5, VZS6, VZX	
2	30202-PZ1-003	COLLAR SET, CLUTCH STOP	-	1	-	-	-	EZD5, EZDS, EZS4, EZS5, QZSD, QZSL, SZSK, VZKK, VZS5, VZS6, VZX	
3	31200-Z5T-W01	MOTOR ASSY., STARTER	-	1	-	-	-	EZD5, EZDS, EZS4, EZS5, QZSD, QZSL, SZSK, VZKK, VZS5, VZS6, VZX	
4	31203-PH9-004	LEVER, PINION DRIVE	-	1	-	-	-	EZD5, EZDS, EZS4, EZS5, QZSD, QZSL, SZSK, VZKK, VZS5, VZS6, VZX	
5	31204-Z2E-003	SWITCH ASSY., MAGNET	-	1	-	-	-	EZD5, EZDS, EZS4, EZS5, QZSD, QZSL, SZSK, VZKK, VZS5, VZS6, VZX	
6	31207-ZE9-H01	CLUTCH COMP., OVERRUNNING	-	1	-	-	-	EZD5, EZDS, EZS4, EZS5, QZSD, QZSL, SZSK, VZKK, VZS5, VZS6, VZX	
7	31208-Z5T-W00	HOUSING COMP., DRIVE SIDE	-	1	-	-	-	EZD5, EZDS, EZS4, EZS5, QZSD, QZSL, SZSK, VZKK, VZS5, VZS6, VZX	
8	31209-PH9-004	BEARING A	-	1	-	-	-	EZD5, EZDS, EZS4, EZS5, QZSD, QZSL, SZSK, VZKK, VZS5, VZS6, VZX	
9	31210-PH9-004	BEARING B	-	1	-	-	-	EZD5, EZDS, EZS4, EZS5, QZSD, QZSL, SZSK, VZKK, VZS5, VZS6, VZX	
10	31211-PH9-004	BRUSH	-	4	-	-	-	EZD5, EZDS, EZS4, EZS5, QZSD, QZSL, SZSK, VZKK, VZS5, VZS6, VZX	
11	31212-PH9-004	SPRING, BRUSH	-	4	-	-	-	EZD5, EZDS, EZS4, EZS5, QZSD, QZSL, SZSK, VZKK, VZS5, VZS6, VZX	
12	31213-P64-N01	COVER	-	1	-	-	-	EZD5, EZDS, EZS4, EZS5, QZSD, QZSL, SZSK, VZKK, VZS5, VZS6, VZX	
13	31214-PH9-004	BOLT, THROUGH	-	2	-	-	-	EZD5, EZDS, EZS4, EZS5, QZSD, QZSL, SZSK, VZKK, VZS5, VZS6, VZX	
14	31217-Z0A-003	ARMATURE COMP.	-	1	-	-	-	EZD5, EZDS, EZS4, EZS5, QZSD, QZSL, SZSK, VZKK, VZS5, VZS6, VZX	
15	31218-PH9-004	YOKE COMP.	-	1	-	-	-	EZD5, EZDS, EZS4, EZS5, QZSD, QZSL, SZSK, VZKK, VZS5, VZS6, VZX	
16	31219-Z5T-W00	FRAME COMP., COMMUTATOR END ..	-	1	-	-	-	EZD5, EZDS, EZS4, EZS5, QZSD, QZSL, SZSK, VZKK, VZS5, VZS6, VZX	
17	31220-PH9-004	NUT, HEX., 8MM	-	1	-	-	-	EZD5, EZDS, EZS4, EZS5, QZSD, QZSL, SZSK, VZKK, VZS5, VZS6, VZX	
18	31223-PA0-006	NUT, HEX.(6MM)	-	2	-	-	-	EZD5, EZDS, EZS4, EZS5, QZSD, QZSL, SZSK, VZKK, VZS5, VZS6, VZX	
19	31231-PH9-004	HOLDER, BRUSH	-	1	-	-	-	EZD5, EZDS, EZS4, EZS5, QZSD, QZSL, SZSK, VZKK, VZS5, VZS6, VZX	
20	31233-PH9-004	INSULATOR, BRUSH HOLDER	-	1	-	-	-	EZD5, EZDS, EZS4, EZS5, QZSD, QZSL, SZSK, VZKK, VZS5, VZS6, VZX	
21	94070-08080	NUT-WASHER, 8MM	-	1	-	-	-	EZD5, EZDS, EZS4, EZS5, QZSD, QZSL, SZSK, VZKK, VZS5, VZS6, VZX	
22	95701-10040-00	BOLT, FLANGE, 10X40	-	1	-	-	-	EZD5, EZDS, EZS4, EZS5, QZSD, QZSL, SZSK, VZKK, VZS5, VZS6, VZX	

E-21-2

STARTER MOTOR(3)



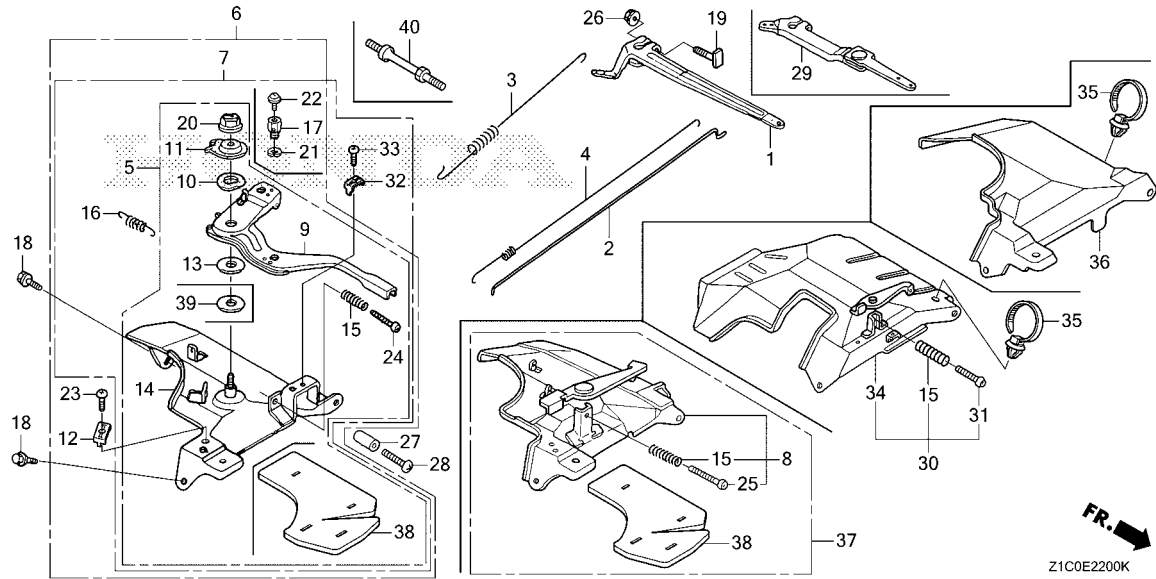
Ref. No.	L.O.N.	(Relative ref. Number) Description	F.R.T.
3	6121G8	MOTOR, STARTER(B)	0.1
5	6121C9	SWITCH, STARTER MAGNETIC	0.2
6	6121H1	ARMATURE, STARTER(B)	0.5
7	6121H2	CLUTCH, OVERRUNNING(B)	0.5
8	6121C2	HOUSING, DRIVE SIDE	0.2
10	6121H0	BRUSH, STARTER(B)	0.5
14	6121D1	YOKE, STARTER	0.5

Ref. No.	Part No.	Description	Reqd. QTY					Serial No.	Parts catalogue code
			GX 390 T1	GX 390 T2	GX 390 T2X	GX 390 UT2	GX 390 UT2X		
1	30201-PH9-004	RING, SNAP(DENSO)	-	1	-	-	-	-----	SXX,SXX1
2	30202-PZ1-003	COLLAR SET, CLUTCH STOP	-	1	-	-	-	-----	SXX,SXX1
3	31200-ZG4-612	MOTOR ASSY., STARTER	-	1	-	-	-	-----	SXX,SXX1
4	31203-PN4-003	LEVER, PINION DRIVE	-	1	-	-	-	-----	SXX,SXX1
5	31204-ZG4-802	SWITCH ASSY., MAGNET	-	1	-	-	-	-----	SXX,SXX1
6	31206-PH9-004	ARMATURE COMP.	-	1	-	-	-	-----	SXX,SXX1
7	31207-ZG4-611	CLUTCH COMP., OVERRUNNING	-	1	-	-	-	-----	SXX,SXX1
8	31208-ZG4-801	HOUSING COMP., DRIVE SIDE	-	1	-	-	-	-----	SXX,SXX1
9	31210-PH9-004	BEARING B	-	1	-	-	-	-----	SXX,SXX1
10	31211-PH9-004	BRUSH	-	4	-	-	-	-----	SXX,SXX1
11	31212-PH9-004	SPRING, BRUSH	-	4	-	-	-	-----	SXX,SXX1
12	31213-679-004	COVER	-	1	-	-	-	-----	SXX,SXX1
13	31214-PH9-004	BOLT, THROUGH	-	2	-	-	-	-----	SXX,SXX1
14	31218-ZG4-801	YOKE COMP.	-	1	-	-	-	-----	SXX,SXX1
15	31219-ZG4-801	FRAME COMP., COMMUTATOR END ..	-	1	-	-	-	-----	SXX,SXX1
16	31220-PH9-004	NUT, HEX., 8MM	-	1	-	-	-	-----	SXX,SXX1
17	31223-PA0-006	NUT, HEX.(6MM)	-	2	-	-	-	-----	SXX,SXX1
18	31231-PH9-004	HOLDER, BRUSH	-	1	-	-	-	-----	SXX,SXX1
19	31233-PH9-004	INSULATOR, BRUSH HOLDER	-	1	-	-	-	-----	SXX,SXX1
20	31235-ZG4-802	COVER, TERMINAL	-	1	-	-	-	-----	SXX,SXX1
21	91002-ZG4-801	BEARING A	-	1	-	-	-	-----	SXX,SXX1
22	94001-08200-0S	NUT, HEX., 8MM	-	1	-	-	-	-----	SXX,SXX1
23	94111-08000	WASHER, SPRING, 8MM	-	1	-	-	-	-----	SXX,SXX1



E-22

CONTROL(1)



Ref. No.	L.O.N.	(Relative ref. Number) Description	F.R.T.
1		(29)	
1	1161A0	ARM, GOVERNOR	0.2
2	1161B1	ROD, GOVERNOR	0.3
3	1161C5	SPRING, GOVERNOR	0.2
4	1161C2	SPRING, THROTTLE RETURN	0.3
6		(5,7,8,30,37)	
6	1161A5	CONTROL, THROTTLE/GOVERNOR ...	0.2
9	1161A8	LEVER, CONTROL	0.3
14	1161A2	BASE, CONTROL	0.3
34		(36)	
4	4141E2	SHROUD, ENGINE :UPPER	0.5

Ref. No.	Part No.	Description	Reqd. QTY					Serial No.	Parts catalogue code
			GX 390 T1	GX 390 T2	GX 390 T2X	GX 390 UT2	GX 390 UT2X		
1	16551-ZE3-000	ARM, GOVERNOR	1	1	1	1	1	-----	LEAJ, LFU, LH, LH2, LHB5, LHP1, LT, LTK1, LWD, LWP1, LXE5, LXE8, LXE9, LXQ5, LXU, PKT5, PX, PXE5, PXE8, PXU, PXU5, QA2, QA25, QA26, QAA2, QAA5, QAA6, QAPW, QAPW/A, QBE1, QBE1/A, QBHZ, QC1, QC2, QC55, QC95, QCT, QCWE, QH, QHB1, QHB1/A, QHB2, QHB2/A, QHB3, QHB5, QHP1, QHT, QHT1, QHTN, QK45, QKA5, QMAH, QMAH/A, QMH, QN, QNG, QNR5, QP, QPW, QT, QTD, QTE, QTG, QTN, QX, QX5, QXA5, QXB5, QXE, QXE5, QXE8, QXEK, QXG, QXK, QXQ4, QXQ5, QXU, QXU5, SC15, SC5, SCC, SCM5, SEM, SH, SHE, SHMV, SJG, SM11, SME5, SMEJ, SMM, SMTP, SN, STCH, SWA5, SWD4, SWE, SWE2, SWSC, SWX, SWX2, SX, SX5, SXC, SXE, SXE5, SXE8, SXQ4, SXQ5, VEP5, VPX5, VPXP, VPXP/A, VS15, VSD5, VSEP, VSP, VSP/A, VTE5, VWT5, VX, VX8, VXB5, VXE, VXE8, VXE8, VXG, VXH, VXX, VXX2, VXU1
	16551-Z1C-800	1	1	-	-	-	-----	QBLS, QBS, QBS1
	16551-ZE3-000	-	1	-	-	-	1605165	LBH, LBHS, QBH, QBHS
2	16555-ZE3-000	ROD, GOVERNOR	1	1	1	1	1	-----	EDS1, EDS5, EDT1, EDT5, ES2, ES3, ES5, EWS3, EWS5, LEAJ, LFU, LH, LH2, LHB5, LHP1, LT, LTK1, LWD, LWP1, LXE5, LXE8, LXE9, LXQ5, LXU, PKT5, PX, PXE5, PXE8, PXU, PXU5, QA2, QA25, QA26, QAA2, QAA5, QAA6, QAPW, QAPW/A, QBE1, QBE1/A, QBHZ, QBLS, QBS, QBS1, QC1, QC2, QC55, QC95, QCT, QCWE, QH, QHB1, QHB1/A, QHB2, QHB2/A, QHB3, QHB5, QHP1, QHT, QHT1, QHTN, QK45, QKA5, QMAH, QMAH/A, QMH, QN, QNG, QNR5, QP, QPW, QT, QTD, QTE, QTG, QTN, QX, QX5, QXA5, QXB5, QXE, QXE5, QXE8, QXEK, QXG, QXK, QXQ4, QXQ5, QXU, QXU5, SC15, SC5, SCC, SCM5, SEM, SH, SHE, SHMV, SJG, SM11, SME5, SMEJ, SMM, SMTP, SN, STCH, SWA5, SWD4, SWE, SWE2, SWSC, SWX, SWX2, SX, SX5, SXC, SXE, SXE5, SXE8, SXQ4, SXQ5, VEP5, VMQ3, VMT, VMT2, VMT3, VPX5, VPXP, VPXP/A, VS15, VS3, VS4, VS5, VS6, VSB3, VSB4, VSB5, VSD5, VSEP, VSP, VSP/A, VTE5, VWC5, VWE5, VWT5, VX, VX8, VXB5, VXE, VXE8, VXE8, VXG, VXH, VXX, VXX2, VXU1
			-	1	-	-	-	1605165	LBH, LBHS, QBH, QBHS

2

E-22

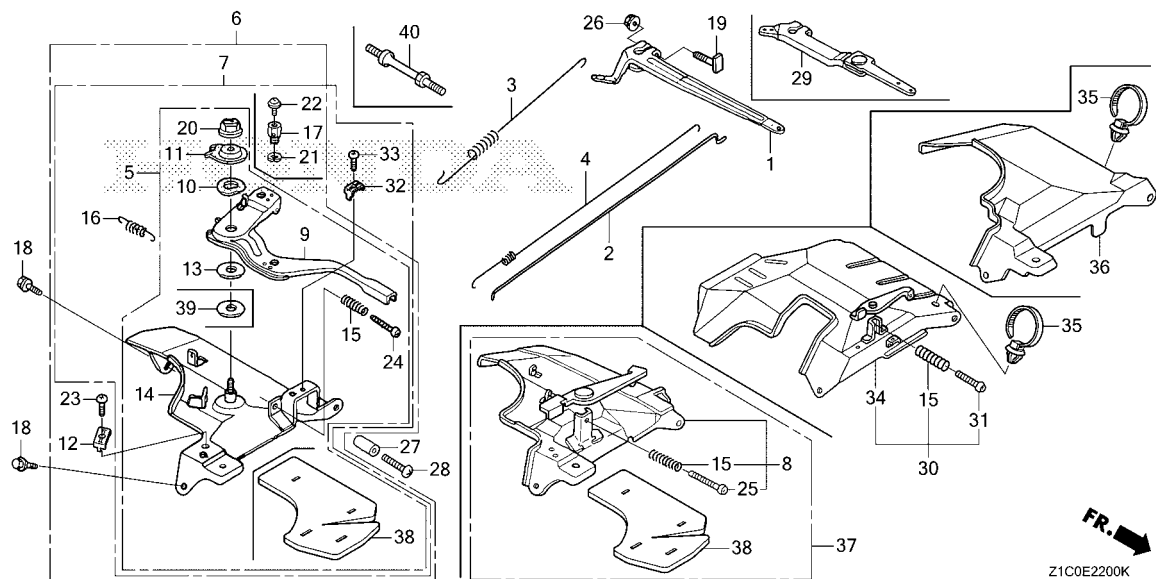
CONTROL(1)

Ref. No.	Part No.	Description	Reqd. QTY					Serial No.	Parts catalogue code
			GX 390 T1	GX 390 T2	GX 390 T2X	GX 390 UT2	GX 390 UT2X		
3	16561-ZE3-000	SPRING, GOVERNOR(L=137.5MM) ..	1	-	1	1	1	-----	ES2, ES3, LFU, LH, LH2, LHB5, LHP1, LT, LXE8, LXE9, LXU, PX, PXE8, PXU QA2, QA26, QAA2, QAA6, QAPW, QBE1, QH, QHB1, QHB3, QHB5, QHP1, QMAH QMAH/A, QMH, QN, QP, QT, QTD, QTN, QX, QXE, QXE8, QXEK, QXK, QXQ4, QXU SCC, SH, SHE, SN, SWE, SWE2, SWX, SWX2, SX, SXC, SXE, SXE8, SXQ4, VMQ3 VMT2, VMT3, VS4, VS6, VSB4, VSB5, VTE5
	16561-Z1C-800	SPRING, GOVERNOR	1	-	-	-	-	-----	QBLS, QBS
	16561-ZF6-T21	1	-	-	-	-	-----	VSP, VX8, VXE8, VXX, VXU1
	16561-ZF6-W32	1	-	-	-	-	-----	VXK2
	16561-ZF6-W31	1	-	-	-	-	-----	1363842 VX, VXE
	16561-ZF6-W32	1	-	-	-	-	-----	1363843 VX, VXE
	16561-ZK6-D70	-	1	-	-	-	-----	EDS1, EDS5, EDT1, EDT5, ES2, ES5, EWS3, EWS5, QBHZ, QNG, QTG, QXG VMQ3, VMT, VMT2, VMT3, VPXP, VPXP/A, VS15, VS3, VS4, VS5, VS6, VSB3 VSB4, VSEP, VWC5, VWE5, VXEH, VXH
	16561-ZE3-000	SPRING, GOVERNOR(L=137.5MM) ..	-	1	-	-	-	-----	LEAJ, LH, LH2, LHB5, LHP1, LTK1, LWD, LWP1, LXE5, LXE9, LXQ5, PKT5 PX, PXE5, PXU5, QA25, QAA5, QAPW, QAPW/A, QBE1, QBE1/A, QC1, QC2 QC55, QC95, QCT, QCWE, QH, QHB1, QHB1/A, QHB2, QHB2/A, QHB3, QHB5 QHP1, QHT, QHT1, QHTN, QK45, QKA5, QMH, QN, QNR5, QP, QTD, QTE, QTN QX, QX5, QXA5, QXB5, QXE, QXE5, QXEK, QXK, QXQ5, QXU5, SC15, SC5 SCM5, SEM, SH, SHMV, SJG, SM11, SME5, SMEJ, SMM, SMT, STCH, SWA5 SWD4, SWE2, SWSC, SWX, SWX2, SX, SX5, SXC, SXE5, SXQ5, VTE5
	16561-Z1C-820	SPRING, GOVERNOR	-	1	-	-	-	-----	QBLS, QBS, QBS1
	16561-ZE3-710	SPRING, GOVERNOR(L=132.0MM) ..	-	1	-	-	-	-----	QPW, VMT5
	16561-ZBH-000	SPRING, GOVERNOR	-	1	-	-	-	-----	VEP5, VPX5
	16561-ZF6-T21	-	1	-	-	-	-----	VSD5, VXG, VXX, VXU1
	16561-Z1C-830	-	1	-	-	-	-----	VSP, VSP/A
	16561-ZF6-W32	-	1	-	-	-	-----	VX, VXB5, VXE
	16561-ZK6-D70	-	1	-	-	-	-----	1605165 LBH, LBHS, QBH, QBHS
4	16562-ZE3-000	SPRING, THROTTLE RETURN	1	1	1	1	1	-----	LEAJ, LFU, LH, LH2, LHB5, LHP1, LT, LTK1, LWD, LWP1, LXE5, LXE8, LXE9 LXQ5, LXU, PKT5, PX, PXE5, PXE8, PXU, PXU5, QA2, QA25, QA26, QAA2 QAA5, QAA6, QAPW, QAPW/A, QBE1, QBE1/A, QBLS, QBS, QBS1, QCT, QH QHB1, QHB1/A, QHB2, QHB2/A, QHB3, QHB5, QHP1, QHT, QHT1, QHTN, QK45 QKA5, QMAH, QMAH/A, QMH, QN, QNG, QNR5, QP, QPW, QT, QTD, QTE, QTG QTN, QX, QX5, QXA5, QXB5, QXE, QXE5, QXE8, QXEK, QXG, QXK, QXQ4, QXQ5 QXU, QXU5, SH, SHE, SHMV, SJG, SM11, SME5, SMEJ, SMT, SN, SWA5, SWD4 SWE, SWE2, SWSC, SWX, SWX2, SX, SX5, SXC, SXE, SXE5, SXE8, SXQ4, SXQ5 VEP5, VPX5, VPXP, VPXP/A, VS15, VSD5, VSEP, VSP, VSP/A, VTE5, VMT5 VX, VX8, VXB5, VXE, VXE8, VXEH, VXG, VXH, VXX, VXX2, VXU1
	16562-ZE3-700	1	1	-	-	-	-----	EDS1, EDS5, EDT1, EDT5, ES2, ES3, ES5, EWS3, EWS5, VMQ3, VMT, VMT2 VMT3, VS3, VS4, VS5, VS6, VSB3, VSB4, VSB5, VWC5, VWE5
	16562-ZE2-700	-	1	-	1	1	-----	QC1, QC2, QC55, QC95, QCWE, SC15, SC5, SCC, SCM5, SEM, SMM, STCH
5	16570-ZE3-W00	CONTROL ASSY. (STD.)	1	-	-	-	-	-----	SN, VTE5, VX, VXE, VXX2
	16500-Z5T-000	-	1	-	-	-	-----	VTE5, VX, VXE
	16500-Z5T-950	CONTROL ASSY.	-	1	-	-	-	-----	VXB5
6	16500-Z1C-800	CONTROL ASSY. (LONG-TAILED BOAT)	1	-	-	-	-	-----	QBLS, QBS
	16500-Z5T-830	CONTROL ASSY. (REMOTE)	-	1	-	1	1	-----	LXE5, SCC, SMEJ, SX5
	16500-Z1C-830	CONTROL ASSY. (WITH PLUG)	-	1	-	-	-	-----	QBHZ, QBLS, QBS, QBS1
	16500-Z1C-830	CONTROL ASSY.	-	1	-	-	-	-----	1605165 LBH, LBHS, QBH, QBHS
7	16570-ZE3-W20	CONTROL ASSY. (REMOTE)	1	-	-	-	-	-----	LH, LH2, LHB5, LHP1, LXE8, LXE9, LXU, PX, PXE8, PXU, QA2, QA26, QAA2 QAA6, QAPW, QH, QHB3, QHB5, QHP1, QMH, QN, QP, QT, QTN, QX, QXE, QXE8 QXEK, QXK, QXQ4, QXU, SH, SHE, SWE, SWE2, SWX, SWX2, SX, SXC, SXE SXE8, SXQ4
	16570-ZE3-W10	1	-	-	-	-	-----	LT, QBE1, QHB1, QTD



E-22

CONTROL(1)



Ref. No.	Part No.	Description	Reqd. QTY					Serial No.	Parts catalogue code
			GX 390 T1	GX 390 T2	GX 390 T2X	GX 390 UT2	GX 390 UT2X		
(7)	16500-Z5T-810	CONTROL ASSY.(REMOTE)(ROD)...	-	1	1	-	-	LH, LH2, LHB5, LHP1, LXE9, LXQ5, PKT5, PX, PXE5, PXU5, QA25, QAA5, QAPW, QAPW/A, QC1, QC2, QC55, QC95, QCT, QCWE, QH, QHB3, QHB5, QHP1, QHT, QHT1, QHTN, QMH, QN, QNG, QNR5, QP, QTE, QTG, QTN, QX, QX5, QXA5, QXB5, QXE, QXE5, QXEK, QXG, QXK, QXQ5, QXU5, SH, SHMV, SMTP, STCH, SWA5, SWE2, SWSC, SWX, SWX2, SX, SXC, SXE5, SXQ5	
	16500-Z1C-R60	CONTROL ASSY.	-	1	-	1	1	LEAJ, LFU, QHB2, QHB2/A, SC15	
	16500-Z5T-800	CONTROL ASSY.(REMOTE)	-	1	-	1	1	LTK1, LWD, LWP1, QBE1, QBE1/A, QHB1, QHB1/A, QK45, QKA5, QMAH, QMAH/A, QTD, SC5, SCM5, SJG, SM11, SME5, SWD4	
	16500-Z1C-Y60	CONTROL ASSY.	-	1	-	-	-	SEM, SMM	
8	16570-ZE3-721	CONTROL ASSY.	1	-	-	-	-	VSP, VX8, VXE8, VXX, VXU1	
	16500-Z1C-307	CONTROL ASSY.(COO)(FOR U.S.A.)	-	1	-	-	-	QPW	
	16500-Z5T-870	CONTROL ASSY.	-	1	-	-	-	VSP, VSP/A, VWT5, VXG, VXX, VXU1	
9	16571-ZE3-W00	LEVER, CONTROL	1	1	1	1	1	LH, LH2, LHB5, LHP1, LT, LTK1, LWD, LWP1, LXE5, LXE8, LXE9, LXQ5, LXU, PKT5, PX, PXE5, PXE8, PXU, PXU5, QA2, QA25, QA26, QAA2, QAA5, QAA6, QAPW, QAPW/A, QBE1, QBE1/A, QC1, QC2, QC55, QC95, QCT, QCWE, QH, QHB1, QHB1/A, QHB3, QHB5, QHP1, QHT, QHT1, QHTN, QK45, QKA5, QMAH, QMAH/A, QMH, QN, QNG, QNR5, QP, QT, QTD, QTE, QTG, QTN, QX, QX5, QXA5, QXB5, QXE, QXE5, QXE8, QXEK, QXG, QXK, QXQ4, QXQ5, QXU, QXU5, SC5, SCC, SCM5, SH, SHE, SHMV, SJG, SM11, SME5, SMEJ, SMTP, SN, STCH, SWA5, SWD4, SWE, SWE2, SWSC, SWX, SWX2, SX, SX5, SXC, SXE, SXE5, SXE8, SXQ4, SXQ5, VTE5, VX, VXB5, VXE, VXX2	
	16571-Z1C-800	1	1	-	-	-	QBHZ, QBL5, QBS, QBS1	
	16571-Z1C-R60	-	1	-	1	1	LEAJ, LFU, QHB2, QHB2/A, SC15, SEM, SMM	
	16571-Z1C-800	-	1	-	-	1605165	LBH, LBHS, QBH, QBHS	

E-22

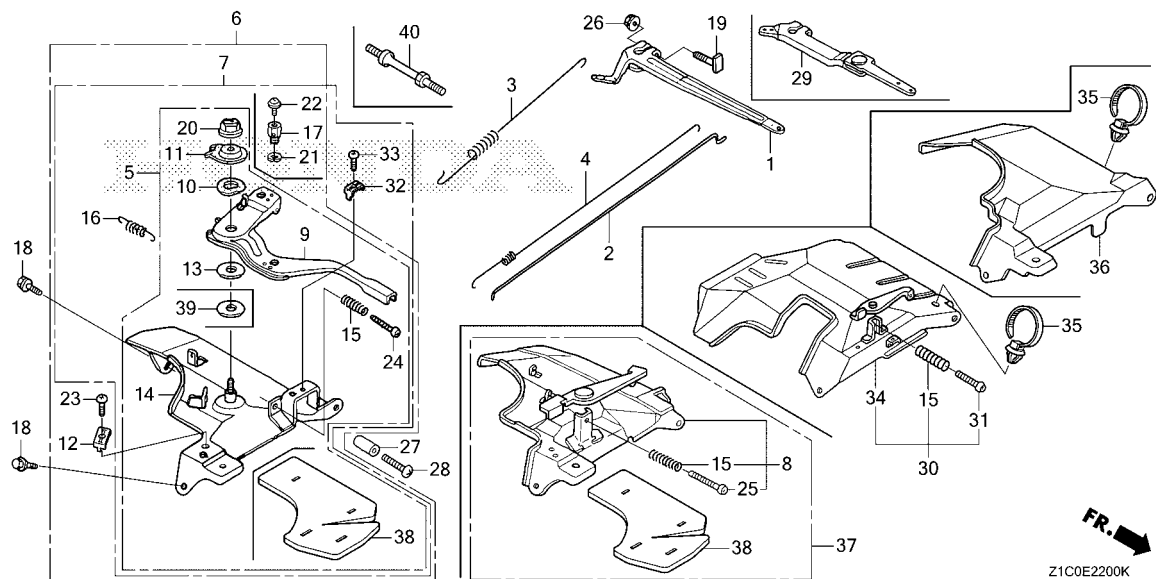
CONTROL(1)

Ref. No.	Part No.	Description	Reqd. QTY					Serial No.	Parts catalogue code	
			GX 390 T1	GX 390 T2	GX 390 T2X	GX 390 UT2	GX 390 UT2X			
10	16574-ZE1-000	SPRING, LEVER	1	1	1	1	1	-----	LEAJ, LFU, LH, LH2, LHB5, LHP1, LT, LTK1, LWD, LWP1, LXE5, LXE8, LXE9 LXQ5, LXU, PKT5, PX, PXE5, PXE8, PXU, PXU5, QA2, QA25, QA26, QAA2 QAA5, QAA6, QAPW, QAPW/A, QBE1, QBE1/A, QBHZ, QBLS, QBS, QBS1, QC1 QC2, QC55, QC95, QCT, QCWE, QH, QHB1, QHB1/A, QHB2, QHB2/A, QHB3 QHB5, QHP1, QHT, QHT1, QHTN, QK45, QKA5, QMAH, QMAH/A, QMH, QN, QNG QNR5, QP, QT, QTD, QTE, QTG, QTN, QX, QX5, QXA5, QXB5, QXE, QXE5, QXE8 QXEK, QXG, QXK, QXQ4, QXQ5, QXU, QXU5, SC15, SC5, SCC, SCM5, SEM, SH SHE, SHMV, SJG, SM11, SME5, SMEJ, SMM, SMTTP, SN, STCH, SWA5, SWD4 SWE, SWE2, SWSC, SWX, SWX2, SX, SX5, SXC, SXE, SXE5, SXE8, SXQ4, SXQ5 VTE5, VX, VXB5, VXE, VXX2	
			-	1	-	-	-	1605165	-----	LBH, LBHS, QBH, QBHS
11	16575-ZE2-W00	WASHER, CONTROL LEVER	1	1	1	1	1	-----	LEAJ, LFU, LH, LH2, LHB5, LHP1, LT, LTK1, LWD, LWP1, LXE5, LXE8, LXE9 LXQ5, LXU, PKT5, PX, PXE5, PXE8, PXU, PXU5, QA2, QA25, QA26, QAA2 QAA5, QAA6, QAPW, QAPW/A, QBE1, QBE1/A, QC1, QC2, QC55, QC95, QCT QCWE, QH, QHB1, QHB1/A, QHB2, QHB2/A, QHB3, QHB5, QHP1, QHT, QHT1 QHTN, QK45, QKA5, QMAH, QMAH/A, QMH, QN, QNG, QNR5, QP, QT, QTD, QTE QTG, QTN, QX, QX5, QXA5, QXB5, QXE, QXE5, QXE8, QXEK, QXG, QXK, QXQ4 QXQ5, QXU, QXU5, SC15, SC5, SCC, SCM5, SEM, SH, SHE, SHMV, SJG, SM11 SME5, SMEJ, SMM, SMTTP, SN, STCH, SWA5, SWD4, SWE, SWE2, SWSC, SWX SWX2, SX, SX5, SXC, SXE, SXE5, SXE8, SXQ4, SXQ5, VTE5, VX, VXB5, VXE VXX2	
	16575-Z1C-810	1	1	-	-	-	-----	-----	QBHZ, QBLS, QBS, QBS1
			-	1	-	-	-	1605165	-----	LBH, LBHS, QBH, QBHS
12	16576-891-000	HOLDER, CABLE	1	1	-	1	1	-----	-----	LXE5, QBHZ, QBLS, QBS, QBS1, SCC, SMEJ, SX5
			-	1	-	-	-	1605165	-----	LBH, LBHS, QBH, QBHS
13	16578-ZE1-000	SPACER, CONTROL LEVER	1	1	1	1	1	-----	-----	LEAJ, LFU, LH, LH2, LHB5, LHP1, LT, LTK1, LWD, LWP1, LXE5, LXE8, LXE9 LXQ5, LXU, PKT5, PX, PXE5, PXE8, PXU, PXU5, QA2, QA25, QA26, QAA2 QAA5, QAA6, QAPW, QAPW/A, QBE1, QBE1/A, QBHZ, QBLS, QBS, QBS1, QC1 QC2, QC55, QC95, QCT, QCWE, QH, QHB1, QHB1/A, QHB2, QHB2/A, QHB3 QHB5, QHP1, QHT, QHT1, QHTN, QK45, QKA5, QMAH, QMAH/A, QMH, QN, QNG QNR5, QP, QT, QTD, QTE, QTG, QTN, QX, QX5, QXA5, QXB5, QXE, QXE5, QXE8 QXEK, QXG, QXK, QXQ4, QXQ5, QXU, QXU5, SC15, SC5, SCC, SCM5, SEM, SH SHE, SHMV, SJG, SM11, SME5, SMEJ, SMM, SMTTP, SN, STCH, SWA5, SWD4 SWE, SWE2, SWSC, SWX, SWX2, SX, SX5, SXC, SXE, SXE5, SXE8, SXQ4, SXQ5 VTE5, VX, VXE, VXX2
	16981-ZE2-P50	WASHER, PLAIN	-	1	-	-	-	-----	-----	VXB5
	16578-ZE1-000	SPACER, CONTROL LEVER	-	1	-	-	-	1605165	-----	LBH, LBHS, QBH, QBHS
14	16581-ZE3-W00	BASE COMP., CONTROL(###)	1	-	-	-	-	-----	-----	LH, LH2, LHB5, LHP1, LP, LT, LXE8, LXE9, LXU, PX, PXE8, PXU, QA2, QA26 QAA2, QAA6, QAPW, QBE1, QH, QHB1, QHB3, QHB5, QHP1, QMH, QN, QP, QT QTD, QTN, QX, QXE, QXE8, QXEK, QXK, QXQ4, QXU, SH, SHE, SN, SWE, SWE2 SWX, SWX2, SX, SXC, SXE, SXE8, SXQ4, VTE5, VX, VXE, VXX2
	16580-Z1C-800	BASE COMP., CONTROL	1	-	-	-	-	-----	-----	QBLS, QBS
	16580-Z5T-000	-	1	1	1	1	-----	-----	LEAJ, LFU, LH, LH2, LHB5, LHP1, LTK1, LWD, LWP1, LXE5, LXE9, LXQ5 PKT5, PX, PXE5, PXU5, QA25, QAA5, QAPW, QAPW/A, QBE1, QBE1/A, QC1 QC2, QC55, QC95, QCT, QCWE, QH, QHB1, QHB1/A, QHB2, QHB2/A, QHB3 QHB5, QHP1, QHT, QHT1, QHTN, QK45, QKA5, QMAH, QMAH/A, QMH, QN, QNG QNR5, QP, QTD, QTE, QTG, QTN, QX, QX5, QXA5, QXB5, QXE, QXE5, QXEK QXG, QXK, QXQ5, QXU5, SC15, SC5, SCC, SCM5, SEM, SH, SHMV, SJG, SM11 SME5, SMEJ, SMM, SMTTP, STCH, SWA5, SWD4, SWE2, SWSC, SWX, SWX2, SX SX5, SXC, SXE5, SXQ5, VTE5, VX, VXE
	16580-Z1C-830	-	1	-	-	-	-----	-----	QBHZ, QBLS, QBS, QBS1
	16580-Z5T-850	-	1	-	-	-	-----	-----	VXB5
	16580-Z1C-830	-	1	-	-	-	1605165	-----	LBH, LBHS, QBH, QBHS



E-22

CONTROL(1)



Z1C0E2200K

Ref. No.	Part No.	Description	Reqd. QTY					Serial No.	Parts catalogue code	
			GX 390 T1	GX 390 T2	GX 390 T2X	GX 390 UT2	GX 390 UT2X			
15	16584-883-300	SPRING, CONTROL ADJUSTING	1	1	1	1	1	----- EDS1,EDS5,EDT1,EDT5,ES2,ES3,ES5,EWS3,EWS5,LEAJ,LFU,LH,LH2,LHB5,LHP1,LT,LTK1,LWD,LWP1,LXE5,LXE8,LXE9,LXQ5,LXU,PKT5,PX,PXE5,PXE8,PXU,PXU5,QA2,QA25,QA26,QAA2,QAA5,QAA6,QAPW,QAPW/A,QBE1,QBE1/A,QBHZ,QBLS,QBS,QBS1,QC1,QC2,QC55,QC95,QCT,QCWE,QH,QHB1,QHB1/A,QHB2,QHB2/A,QHB3,QHB5,QHP1,QHT,QHT1,QHTN,QK45,QKA5,QMAH,QMAH/A,QMH,QN,QNG,QNR5,QP,QPW,QT,QTD,QTE,QTG,QTN,QX,QX5,QXA5,QXB5,QXE,QXE5,QXE8,QXEK,QXG,QXK,QXQ4,QXQ5,QXU,QXU5,SC15,SC5,SCC,SCM5,SEM,SH,SHE,SHMV,SJG,SM11,SME5,SMEJ,SMM,SMTTP,SN,STCH,SWA5,SWD4,SWE,SWE2,SWSC,SWX,SWX2,SX,SX5,SXC,SXE,SXE5,SXE8, SXQ4, SXQ5, VEP5, VMQ3, VMT, VMT2, VMT3, VPX5, VPXP, VPXP/A, VS15, VS3, VS4, VS5, VSB3, VSB4, VSB5, VSD5, VSEP, VSP, VSP/A, VTE5, VVC5, VVE5, VWT5, VX, VX8, VXB5, VXE, VXE8, VXE8, VXG, VXH, VVK, VVK2, VXU1	-----	-----
			-	1	-	-	-	1605165	-----	-----
16	16592-883-310	SPRING, CABLE RETURN	1	1	1	1	1	----- LEAJ,LFU,LH,LH2,LHB5,LHP1,LT,LTK1,LWD,LWP1,LXE5,LXE8,LXE9,LXQ5,LXU,PKT5,PX,PXE5,PXE8,PXU,PXU5,QA2,QA25,QA26,QAA2,QAA5,QAA6,QAPW,QAPW/A,QBE1,QBE1/A,QC1,QC2,QC55,QC95,QCT,QCWE,QH,QHB1,QHB1/A,QHB2,QHB2/A,QHB3,QHB5,QHP1,QHT,QHT1,QHTN,QK45,QKA5,QMAH,QMAH/A,QMH,QN,QNG,QNR5,QP,QT,QTD,QTE,QTG,QTN,QX,QX5,QXA5,QXB5,QXE,QXE5,QXE8,QXEK,QXG,QXK,QXQ4,QXQ5,QXU,QXU5,SC15,SC5,SCC,SCM5,SEM,SH,SHE,SHMV,SJG,SM11,SME5,SMEJ,SMM,SMTTP,STCH,SWA5,SWD4,SWE,SWE2,SWSC,SWX,SWX2,SX,SX5,SXC,SXE,SXE5,SXE8, SXQ4, SXQ5	-----	-----
	16592-Z1C-810	1	1	-	-	-	----- QBHZ,QBLS,QBS,QBS1	-----	-----
			-	1	-	-	-	1605165	-----	-----

E-22

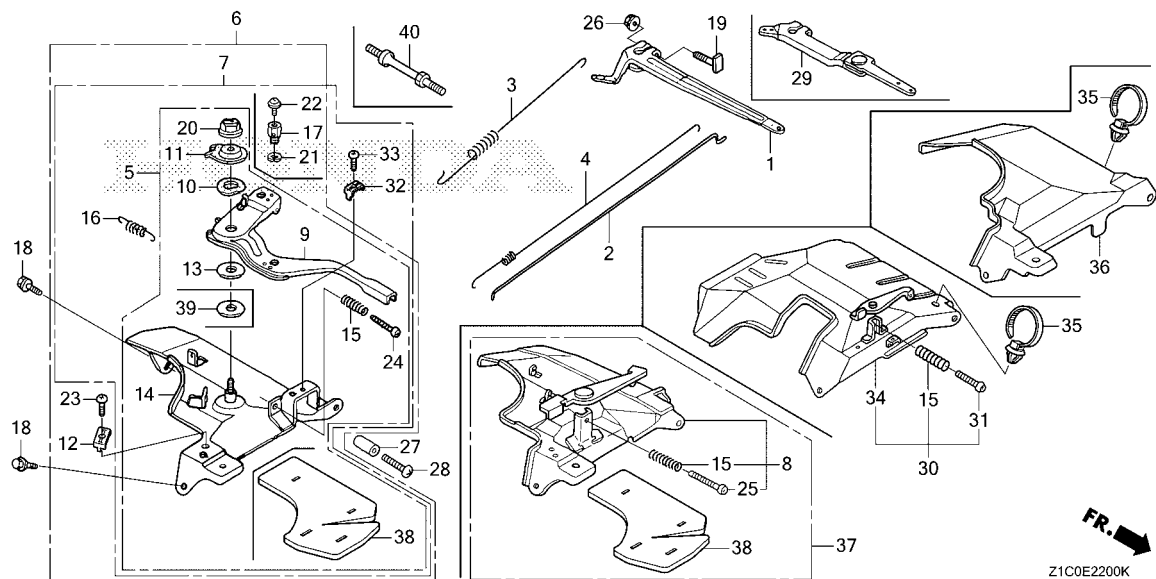
CONTROL(1)

Ref. No.	Part No.	Description	Reqd. QTY					Serial No.	Parts catalogue code	
			GX 390 T1	GX 390 T2	GX 390 T2X	GX 390 UT2	GX 390 UT2X			
17	16594-883-010	HOLDER, WIRE.....	1	1	-	1	1	-----	LEAJ, LFU, LT, LTK1, LWD, LWP1, LXE5, QBE1, QBE1/A, QBHZ, QBL5, QBS, QBS1, QHB1, QHB1/A, QHB2, QHB2/A, QK45, QKA5, QMAH, QMAH/A, QTD, SC15, SC5, SCC, SCM5, SJG, SM11, SME5, SMEJ, SWD4, SX5	
18	90013-883-000	BOLT, FLANGE, 6X12(CT200)....	-	1	-	-	-	1605165	-----	LBH, LBHS, QBH, QBHS
	90013-Z0T-810	2	2	-	-	-	-----	-----	EDS1, EDS5, EDT1, EDT5, ES2, ES3, ES5, EWS3, EWS5, LEAJ, LFU, LH, LH2, LHB5, LHP1, LP, LT, LTK1, LWD, LWP1, LXE5, LXE8, LXE9, LXQ5, LXU, PKT5, PX, PXE5, PXE8, PXU, PXU5, QA2, QA25, QA26, QAA2, QAA5, QAA6, QAPW, QAPW/A, QBE1, QBE1/A, QC1, QC2, QC55, QC95, QCT, QCWE, QH, QHB1, QHB1/A, QHB2, QHB2/A, QHB3, QHB5, QHP1, QHT, QHT1, QHTN, QK45, QKA5, QMAH, QMAH/A, QMH, QN, QNG, QNR5, QP, QPW, QT, QTD, QTE, QTG, QTN, QX, QX5, QXA5, QXB5, QXE, QXE5, QXE8, QXEK, QXG, QXK, QXQ4, QXQ5, QXU, QXU5, SC15, SC5, SCC, SCM5, SEM, SH, SHE, SHMV, SJG, SM11, SME5, SMEJ, SMM, SMTP, SN, STCH, SWA5, SWD4, SWE, SWE2, SWSC, SWX, SWX2, SX, SX5, SXC, SXE, SXE5, SXE8, SXQ4, SXQ5, VEP5, VMQ3, VMT, VMT2, VMT3, VPX5, VPXP, VPXP/A, VS15, VS3, VS4, VS5, VS6, VSB3, VSB4, VSB5, VSD5, VSEP, VSP, VSP/A, VTE5, VWC5, VWE5, VWT5, VX, VX8, VXB5, VXE, VXE8, VXEH, VXG, VXH, VXX, VXX2, VXU1
	90013-883-000	-	3	-	-	-	-----	-----	QBHZ, QBL5, QBS, QBS1
	90013-Z0T-810	-	2	-	-	-	1605165	-----	EZD5, EZDS, EZS4, EZS5, QZSD, QZSL, SZSK, VZKK, VZS5, VZS6, VZX
19	90015-ZE5-010	BOLT, GOVERNOR ARM.....	1	-	-	-	-	-----	-----	LBH, LBHS, QBH, QBHS
	90015-Z5T-000	-	1	1	1	1	-----	-----	ES2, ES3, LH, LH2, LHB5, LHP1, LT, LXE8, LXE9, LXU, PX, PXE8, PXU, QA2, QA26, QAA2, QAA6, QAPW, QBE1, QBL5, QBS, QH, QHB1, QHB3, QHB5, QHP1, QMH, QN, QP, QT, QTD, QTN, QX, QXE, QXE8, QXEK, QXK, QXQ4, QXU, SH, SHE, SN, SWE, SWE2, SWX, SWX2, SX, SXC, SXE, SXE8, SXQ4, VMQ3, VMT2, VMT3, VS4, VS6, VSB4, VSB5, VSP, VTE5, VX, VX8, VXE, VXE8, VXX, VXX2, VXU1
	90015-ZE5-010	-	1	-	-	-	-----	-----	EDS1, EDS5, EDT1, EDT5, ES5, EWS3, EWS5, LEAJ, LFU, LH, LH2, LHB5, LHP1, LTK1, LWD, LWP1, LXE5, LXE9, LXQ5, PKT5, PX, PXE5, PXU5, QA25, QAA5, QAPW, QAPW/A, QBE1, QBE1/A, QBHZ, QBL5, QBS, QBS1, QC1, QC2, QC55, QC95, QCT, QCWE, QH, QHB1, QHB1/A, QHB2, QHB2/A, QHB3, QHB5, QHP1, QHT, QHT1, QHTN, QK45, QKA5, QMAH, QMAH/A, QMH, QN, QNG, QNR5, QP, QPW, QTD, QTE, QTG, QTN, QX, QX5, QXA5, QXB5, QXE, QXE5, QXEK, QXG, QXK, QXQ5, QXU5, SC15, SC5, SCC, SCM5, SEM, SH, SHMV, SJG, SM11, SME5, SMEJ, SMM, SMTP, STCH, SWA5, SWD4, SWE2, SWSC, SWX, SWX2, SX, SX5, SXC, SXE5, SXQ5, VEP5, VPX5, VPXP, VPXP/A, VS15, VS3, VS5, VSD5, VSEP, VSP, VSP/A, VTE5, VWC5, VWE5, VWT5, VX, VXB5, VXE, VXEH, VXG, VXH, VXX, VXU1
	90015-Z5T-000	-	1	-	-	-	1605165	-----	ES2, VMQ3, VMT, VMT2, VMT3, VS4, VS6, VSB3, VSB4
20	90114-SA0-000	NUT, SELF-LOCK, 6MM.....	1	1	1	1	1	-----	-----	LBH, LBHS, QBH, QBHS
	90202-Z1T-000	1	-	-	-	-	-----	-----	LEAJ, LFU, LH, LH2, LHB5, LHP1, LT, LTK1, LWD, LWP1, LXE5, LXE8, LXE9, LXQ5, LXU, PKT5, PX, PXE5, PXE8, PXU, PXU5, QA2, QA25, QA26, QAA2, QAA5, QAA6, QAPW, QAPW/A, QBE1, QBE1/A, QBHZ, QBL5, QBS, QBS1, QC1, QC2, QC55, QC95, QCT, QCWE, QH, QHB1, QHB1/A, QHB2, QHB2/A, QHB3, QHB5, QHP1, QHT, QHT1, QHTN, QK45, QKA5, QMAH, QMAH/A, QMH, QN, QNG, QNR5, QP, QT, QTD, QTE, QTG, QTN, QX, QX5, QXA5, QXB5, QXE, QXE5, QXE8, QXEK, QXG, QXK, QXQ4, QXQ5, QXU, QXU5, SC15, SC5, SCC, SCM5, SEM, SH, SHE, SHMV, SJG, SM11, SME5, SMEJ, SMM, SMTP, SN, STCH, SWA5, SWD4, SWE, SWE2, SWSC, SWX, SWX2, SX, SX5, SXC, SXE, SXE5, SXE8, SXQ4, SXQ5, VTE5, VX, VXB5, VXE, VXX2
	90114-SA0-000	-	1	-	-	-	1605165	-----	SN, VTE5, VX, VXE, VXX2
	90202-Z1T-000	1	-	-	-	-	1714145	-----	LH, LH2, LHB5, LHP1, LT, LXE9, PX, QAPW, QBE1, QH, QHB1, QHB3, QHB5, QHP1, QMH, QN, QP, QT, QTD, QTN, QX, QXE, QXEK, QXK, SH, SHE, SWE, SWE2, SWX, SWX2, SX, SXC, SXE
21	90605-230-000	CIRCLIP, 5MM.....	1	1	-	1	1	-----	-----	LBH, LBHS, QBH, QBHS
										LEAJ, LFU, LT, LTK1, LWD, LWP1, LXE5, QBE1, QBE1/A, QHB1, QHB1/A, QHB2, QHB2/A, QK45, QKA5, QMAH, QMAH/A, QTD, SC15, SC5, SCC, SCM5, SJG, SM11, SME5, SMEJ, SWD4, SX5



E-22

CONTROL(1)



Z1C0E2200K

Ref. No.	Part No.	Description	Reqd. QTY					Serial No.	Parts catalogue code
			GX 390 T1	GX 390 T2	GX 390 T2X	GX 390 UT2	GX 390 UT2X		
21)	94540-05018	E-RING, 5MM.....	1	1	-	-	-	QBHZ, QBLS, QBS, QBS1	
22	93500-04006-0H	SCREW, PAN, 4X6.....	-	1	-	-	1605165	LBH, LBHS, QBH, QBHS LEAJ, LFU, LT, LTK1, LWD, LWP1, LXE5, QBE1, QBE1/A, QBHZ, QBLS, QBS QBS1, QHB1, QHB1/A, QHB2, QHB2/A, QK45, QKA5, QMAH, QMAH/A, QTD SC15, SC5, SCC, SCM5, SJG, SM11, SME5, SMEJ, SWD4, SX5	
23	93500-05016-0A	SCREW, PAN, 5X16.....	-	1	-	-	1605165	LBH, LBHS, QBH, QBHS LXE5, QBHZ, QBLS, QBS, QBS1, SCC, SMEJ, SX5	
24	93500-05032-0A	SCREW, PAN, 5X32.....	1	1	1	1	1605165	LBH, LBHS, QBH, QBHS LEAJ, LFU, LH, LH2, LHB5, LHP1, LT, LTK1, LWD, LWP1, LXE5, LXE8, LXE9 LXQ5, LXU, PKT5, PX, PXE5, PXE8, PXU, PXU5, QA2, QA25, QA26, QAA2 QAA5, QAA6, QAPW, QAPW/A, QBE1, QBE1/A, QC1, QC2, QC55, QC95, QCT QCWE, QH, QHB1, QHB1/A, QHB2, QHB2/A, QHB3, QHB5, QHP1, QHT, QHT1 QHTN, QK45, QKA5, QMAH, QMAH/A, QMH, QN, QNG, QNR5, QP, QT, QTD, QTE QTG, QTN, QX, QX5, QXA5, QXB5, QXE, QXE5, QXE8, QXEK, QXG, QXK, QXQ4 QXQ5, QXU, QXU5, SC15, SC5, SCC, SCM5, SEM, SH, SHE, SHMV, SJG, SM11 SME5, SMEJ, SMM, SMTP, SN, STCH, SWA5, SWD4, SWE, SWE2, SWSC, SWX SWX2, SX, SX5, SXC, SXE, SXE5, SXE8, SXQ4, SXQ5, VTE5, VX, VXB5, VXE VXX2	
	93500-05025-0H	SCREW, PAN, 5X25.....	1	1	-	-	1605165	QBHZ, QBLS, QBS, QBS1 LBH, LBHS, QBH, QBHS	
25	93500-05045-0A	SCREW, PAN, 5X45.....	1	1	-	-	-	QPW, VEP5, VPX5, VPXP, VPXP/A, VSD5, VSP, VSP/A, VMT5, VX8, VXE8 VXE, VXG, VXH, VXX, VXU1	

E-22

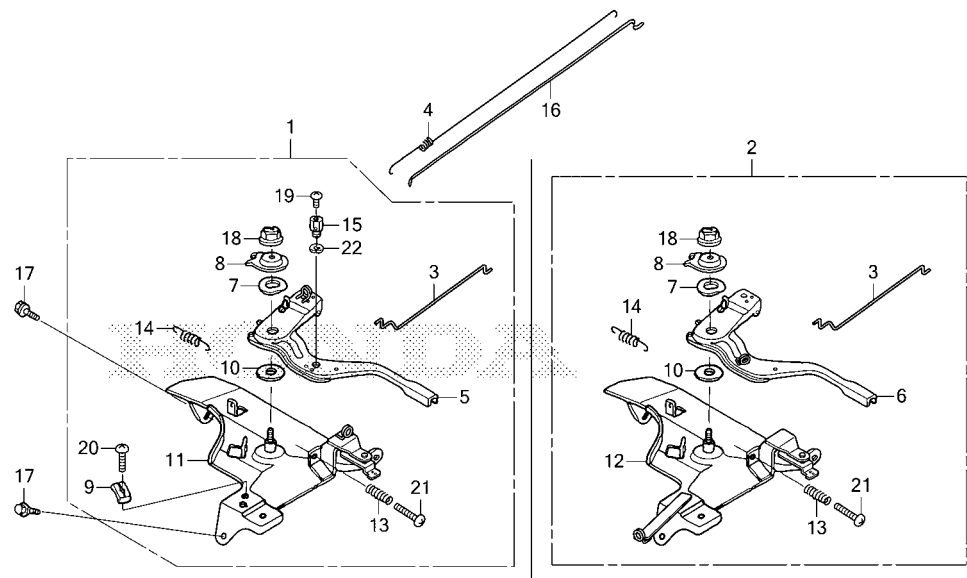
CONTROL(1)

Ref. No.	Part No.	Description	Reqd. QTY					Serial No.	Parts catalogue code	
			GX 390 T1	GX 390 T2	GX 390 T2X	GX 390 UT2	GX 390 UT2X			
26	94050-06000	NUT, FLANGE, 6MM.....	1	1	1	1	1	-----	EDS1, EDS5, EDT1, EDT5, ES2, ES3, ES5, EWS3, EWS5, LEAJ, LFU, LH, LH2, LHB5, LHP1, LT, LTK1, LWD, LWP1, LXE5, LXE8, LXE9, LXQ5, LXU, PKT5, PX, PXE5, PXE8, PXU, PXU5, QA2, QA25, QA26, QAA2, QAA5, QAA6, QAPW, QAPW/A, QBE1, QBE1/A, QBHZ, QBL5, QBS, QBS1, QC1, QC2, QC55, QC95, QCT, QCWE, QH, QHB1, QHB1/A, QHB2, QHB2/A, QHB3, QHB5, QHP1, QHT, QHT1, QHTN, QK45, QKA5, QMAH, QMAH/A, QMH, QN, QNG, QNR5, QP, QPW, QTD, QTE, QTG, QTN, QX, QX5, QXA5, QXB5, QXE, QXE5, QXE8, QXEK, QXG, QXK, QXQ4, QXQ5, QXU, QXU5, SC15, SC5, SCC, SCM5, SEM, SH, SHE, SHMV, SJG, SM11, SME5, SMEJ, SMM, SMTP, SN, STCH, SWA5, SWD4, SWE, SWE2, SWSC, SWX, SWX2, SX, SX5, SXC, SXE, SXE5, SXE8, SXQ4, SXQ5, VEP5, VMQ3, VMT, VMT2, VMT3, VPX5, VPXP, VPXP/A, VS15, VS3, VS4, VS5, VS6, VSB3, VSB4, VSB5, VSD5, VSEP, VSP, VSP/A, VTE5, VWC5, VWE5, VWT5, VX, VX8, VXB5, VXE, VXE8, VXEH, VXG, VXH, VXX, VXX2, VXU1	
27	16599-ZG1-M10	COLLAR, STOPPER.....	-	1	-	-	-	1605165	-----	LBH, LBHS, QBH, QBHS
28	90016-ZG9-N30	SCREW, RECESSED, 5X25.....	(1)	(1)	-	-	-	-----	-----	LXE5, LXQ5, QC55, QHB1, QHB1/A, QHB2, QHB2/A, QK45, QKA5, QXA5, QXB5, QXE5, QXQ4, QXQ5, SHMV, SME5, SMEJ, SMM, SWA5, SWD4, SX5, SXE5, SXQ4, SXQ5, VEP5, VPX5, VPXP, VPXP/A, VSD5, VWT5, VXB5
29	16550-ZE3-700	ARM COMP., GOVERNOR.....	1	1	-	-	-	-----	-----	LXE5, LXQ5, QC55, QHB1, QHB1/A, QHB2, QHB2/A, QK45, QKA5, QXA5, QXB5, QXE5, QXQ4, QXQ5, SHMV, SME5, SMEJ, SMM, SWA5, SWD4, SX5, SXE5, SXQ4, SXQ5, VEP5, VPX5, VPXP, VPXP/A, VSD5, VWT5, VXB5
30	16570-ZE3-710 16500-Z5T-890	CONTROL ASSY.	1	-	-	-	-	-----	-----	EDS1, EDS5, EDT1, EDT5, ES2, ES3, ES5, EWS3, EWS5, VMQ3, VMT, VMT2, VMT3, VS3, VS4, VS5, VS6, VSB3, VSB4, VSB5, VWC5, VWE5
	16500-Z5T-880	-	1	-	-	-	-----	-----	ES2, ES3, VMQ3, VMT2, VMT3, VS4, VS6, VSB4, VSB5
31	93500-05035-0A	SCREW, PAN, 5X35.....	1	1	-	-	-	-----	-----	EDS1, EDS5, EDT1, EDT5, ES2, ES3, ES5, EWS3, EWS5, VMQ3, VMT, VMT2, VMT3, VS3, VS4, VS5, VS6, VSB3, VSB4
32	16576-891-000	HOLDER, CABLE.....	1	1	1	1	1	-----	-----	VS15, VSEP, VWC5, VWE5
33	93500-05016-0A	SCREW, PAN, 5X16.....	1	1	1	1	1	-----	-----	EDS1, EDS5, EDT1, EDT5, ES2, ES3, ES5, EWS3, EWS5, VMQ3, VMT, VMT2, VMT3, VS15, VS3, VS4, VS5, VS6, VSB3, VSB4, VSB5, VSEP, VWC5, VWE5
34	19632-ZBH-W00 19630-ZBH-W10	SHROUD, UPPER.....	-	1	-	-	-	-----	-----	LEAJ, LFU, LH, LH2, LHB5, LHP1, LT, LTK1, LWD, LWP1, LXE8, LXE9, LXQ5, LXU, PKT5, PX, PXE5, PXE8, PXU, PXU5, QA2, QA25, QA26, QAA2, QAA5, QAA6, QAPW, QAPW/A, QBE1, QBE1/A, QC1, QC2, QC55, QC95, QCT, QCWE, QH, QHB1, QHB1/A, QHB2, QHB2/A, QHB3, QHB5, QHP1, QHT, QHT1, QHTN, QK45, QKA5, QMAH, QMAH/A, QMH, QN, QNG, QNR5, QP, QT, QTD, QTE, QTG, QTN, QX, QX5, QXA5, QXB5, QXE, QXE5, QXE8, QXEK, QXG, QXK, QXQ4, QXQ5, QXU, QXU5, SC15, SC5, SCM5, SEM, SH, SHE, SHMV, SJG, SM11, SME5, SMM, SMTP, STCH, SWA5, SWD4, SWE, SWE2, SWSC, SWX, SWX2, SX, SXC, SXE, SXE5, SXE8, SXQ4, SXQ5
35	91541-S0A-003	CLIP, HARNESS BAND(BLACK) (145MM)	-	1	-	-	-	-----	-----	EZD5, QZSL
36	19630-Z5T-W00	SHROUD COMP., UPPER.....	-	1	-	-	-	-----	-----	EZDS, EZS4, EZS5, VZS5, VZS6
37	16500-Z5T-860	CONTROL ASSY.	-	1	-	-	-	-----	-----	EZD5, EZDS, EZS4, EZS5, QZSD, QZSL, SZSK, VZKK, VZS5, VZS6, VZX
38	16588-Z5T-000	INSURATOR, CONTROL BASE.....	-	1	-	-	-	-----	-----	QZSD, SZSK, VZKK, VZX
39	16981-ZE2-P50	WASHER, PLAIN.....	-	1	-	-	-	-----	-----	VEP5, VPX5, VSD5
40	90043-Z1D-H00	BOLT, GOVERNOR COVER.....	-	1	-	-	-	-----	-----	VPXP, VPXP/A, VXE8, VXH



E-22-1

CONTROL(2)



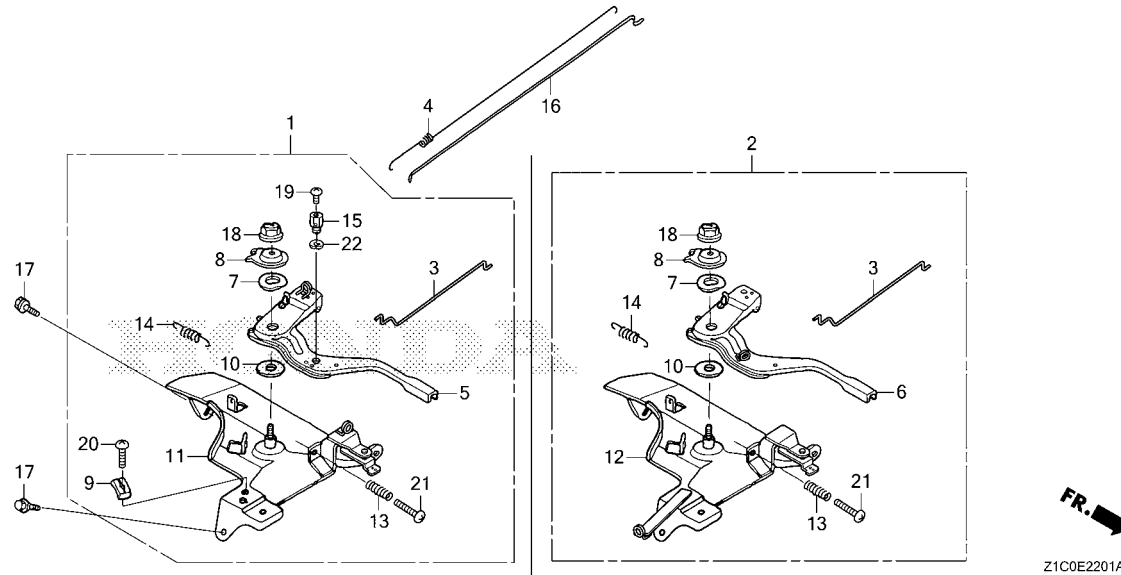
Ref. No.	L.O.N.	(Relative ref. Number) Description	F.R.T.
1	(2)		
4	1161A5	CONTROL, THROTTLE/GOVERNOR ...	0.2
5	1161C2	SPRING, THROTTLE RETURN	0.3
5	(6)		
11	1161A8	LEVER, CONTROL	0.3
11	(12)		
16	1161A2	BASE, CONTROL	0.3
16	8101R4	ROD, THROTTLE	0.3

FR. →
Z1C0E2201A

Ref. No.	Part No.	Description	Reqd. QTY					Serial No.	Parts catalogue code
			GX 390 T1	GX 390 T2	GX 390 T2X	GX 390 UT2	GX 390 UT2X		
1	16500-Z1C-810	CONTROL ASSY. (LONG-TAILED BOAT)	1	-	-	-	-	-----	LBH, LBHS, QBH, QBHS
	16500-Z1C-840	CONTROL ASSY.	-	1	-	-	-	1605164	LBH, LBHS, QBH, QBHS
2	16500-Z1C-820	CONTROL ASSY. (BANKA)	1	-	-	-	-	-----	LBHB
	16500-Z1C-850	CONTROL ASSY.	-	1	-	-	-	-----	LBHB
3	16556-Z1C-810	ROD, CONTROL	1	-	-	-	-	-----	LBH, LBHB, LBHS, QBH, QBHS
			-	1	-	-	-	-----	LBHB
4	16562-Z1C-810	SPRING, THROTTLE RETURN	1	-	-	-	-	1605164	LBH, LBHS, QBH, QBHS
			-	1	-	-	-	-----	LBH, LBHB, LBHS, QBH, QBHS
			-	1	-	-	-	-----	LBHB
5	16570-Z1C-810	LEVER COMP., CONTROL	1	-	-	-	-	1605164	LBH, LBHS, QBH, QBHS
			-	1	-	-	-	-----	LBH, LBHS, QBH, QBHS
			-	1	-	-	-	1605164	LBH, LBHS, QBH, QBHS
6	16570-Z1C-820	LEVER COMP., CONTROL	1	1	-	-	-	-----	LBHB
7	16574-ZE1-000	SPRING, LEVER	1	-	-	-	-	-----	LBH, LBHB, LBHS, QBH, QBHS
			-	1	-	-	-	-----	LBHB
			-	1	-	-	-	1605164	LBH, LBHS, QBH, QBHS
8	16575-Z1C-810	WASHER, CONTROL LEVER	1	-	-	-	-	-----	LBH, LBHB, LBHS, QBH, QBHS
			-	1	-	-	-	-----	LBHB
			-	1	-	-	-	1605164	LBH, LBHS, QBH, QBHS
9	16576-891-000	HOLDER, CABLE	1	-	-	-	-	-----	LBH, LBHS, QBH, QBHS
			-	1	-	-	-	1605164	LBH, LBHS, QBH, QBHS
10	16578-ZE1-000	SPACER, CONTROL LEVER	1	-	-	-	-	-----	LBH, LBHB, LBHS, QBH, QBHS
			-	1	-	-	-	-----	LBHB
			-	1	-	-	-	1605164	LBH, LBHS, QBH, QBHS
11	16580-Z1C-810	BASE COMP., CONTROL	1	-	-	-	-	-----	LBH, LBHS, QBH, QBHS
	16580-Z1C-840	-	1	-	-	-	1605164	LBH, LBHS, QBH, QBHS

E-22-1

CONTROL(2)

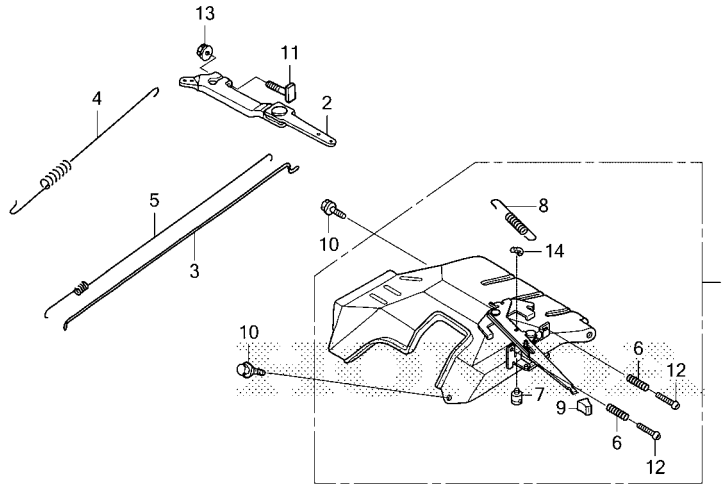


Ref. No.	Part No.	Description	Reqd. QTY					Serial No.	Parts catalogue code
			GX 390 T1	GX 390 T2	GX 390 T2X	GX 390 UT2	GX 390 UT2X		
12	16580-Z1C-820 16580-Z1C-850	BASE COMP., CONTROL.....	1	-	-	-	-	LBHB	
13	16584-883-300	SPRING, CONTROL ADJUSTING...	1	-	-	-	-	LBH, LBHB, LBHS, QBH, QBHS	
14	16592-Z1C-810	SPRING, CABLE RETURN.....	1	-	-	-	1605164	LBH, LBHS, QBH, QBHS	
15	16594-883-010	HOLDER, WIRE.....	1	-	-	-	1605164	LBH, LBHS, QBH, QBHS	
16	17841-Z1C-810	ROD, THROTTLE.....	1	-	-	-	-	LBH, LBHB, LBHS, QBH, QBHS	
17	90013-Z0T-810	BOLT, FLANGE, 6X12(CT200)....	2	-	-	-	1605164	LBH, LBHS	
18	90114-SA0-000	NUT, SELF-LOCK, 6MM.....	1	-	-	-	1605164	LBH, LBHS, QBH, QBHS	
19	93500-04006-0H	SCREW, PAN, 4X6.....	1	-	-	-	1605164	LBH, LBHS, QBH, QBHS	
20	93500-05016-0A	SCREW, PAN, 5X16.....	1	-	-	-	1605164	LBH, LBHS, QBH, QBHS	
21	93500-05025-0H	SCREW, PAN, 5X25.....	1	-	-	-	-	LBH, LBHB, LBHS, QBH, QBHS	
22	94540-05018	E-RING, 5MM.....	1	-	-	-	1605164	LBH, LBHS, QBH, QBHS	



E-22-2

CONTROL(3)



FR. →
Z1C0E2202A

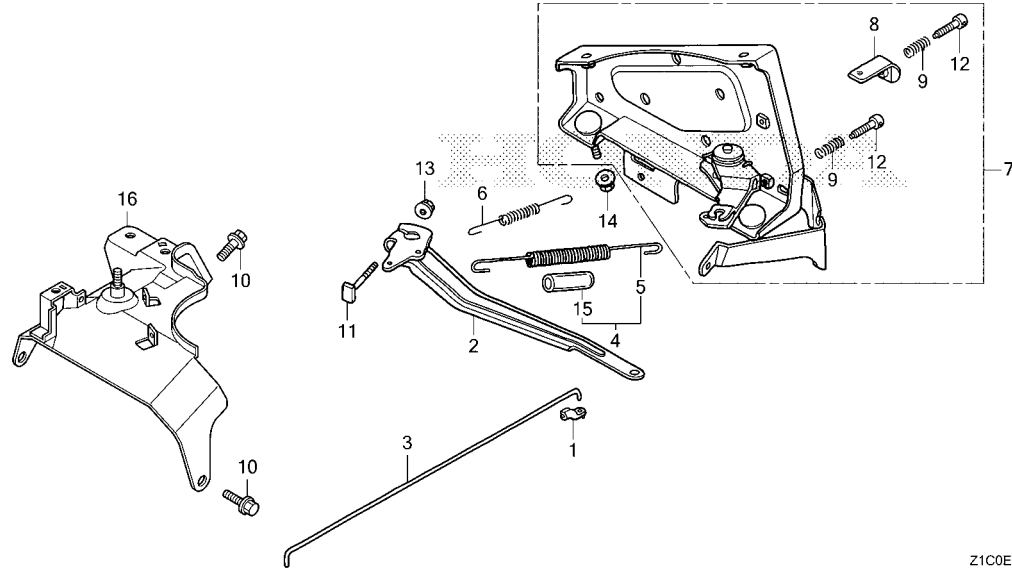
Ref. No.	L.O.N.	(Relative ref. Number) Description	F.R.T.
1	1161A5	CONTROL, THROTTLE/GOVERNOR ...	0.2
2	1161A0	ARM, GOVERNOR	0.2
3	1161B1	ROD, GOVERNOR	0.3
4	1161C5	SPRING, GOVERNOR	0.2
5	1161C2	SPRING, THROTTLE RETURN	0.3

Ref. No.	Part No.	Description	Reqd. QTY					Serial No.	Parts catalogue code
			GX 390 T1	GX 390 T2	GX 390 T2X	GX 390 UT2	GX 390 UT2X		
1	16500-Z5T-911	CONTROL ASSY.	-	1	-	-	-	-----	EWS1, EWS4
2	16550-ZE3-700	ARM COMP., GOVERNOR	-	1	-	-	-	-----	EWS1, EWS4
3	16555-ZE3-000	ROD, GOVERNOR	-	1	-	-	-	-----	EWS1, EWS4
4	16561-ZK6-D70	SPRING, GOVERNOR	-	1	-	-	-	-----	EWS1, EWS4
5	16562-ZE3-700	SPRING, THROTTLE RETURN	-	1	-	-	-	-----	EWS1, EWS4
6	16584-883-300	SPRING, CONTROL ADJUSTING	-	2	-	-	-	-----	EWS1, EWS4
7	16585-ZE3-730	HOLDER, THROTTLE CHANGE WIRE ..	-	1	-	-	-	-----	EWS1, EWS4
8	16586-ZE3-730	SPRING, LINK	-	1	-	-	-	-----	EWS1, EWS4
9	32343-892-003	KNOB, COCK LEVER	-	1	-	-	-	-----	EWS1, EWS4
10	90013-883-000	BOLT, FLANGE, 6X12(CT200)	-	2	-	-	-	-----	EWS1, EWS4
11	90015-Z5T-000	BOLT, GOVERNOR ARM	-	1	-	-	-	-----	EWS1, EWS4
12	93500-05035-0A	SCREW, PAN, 5X35	-	2	-	-	-	-----	EWS1, EWS4
13	94050-06000	NUT, FLANGE, 6MM	-	1	-	-	-	-----	EWS1, EWS4
14	94540-03018	E-RING, 3MM	-	1	-	-	-	-----	EWS1, EWS4

E-22-3

CONTROL(4)

FR.



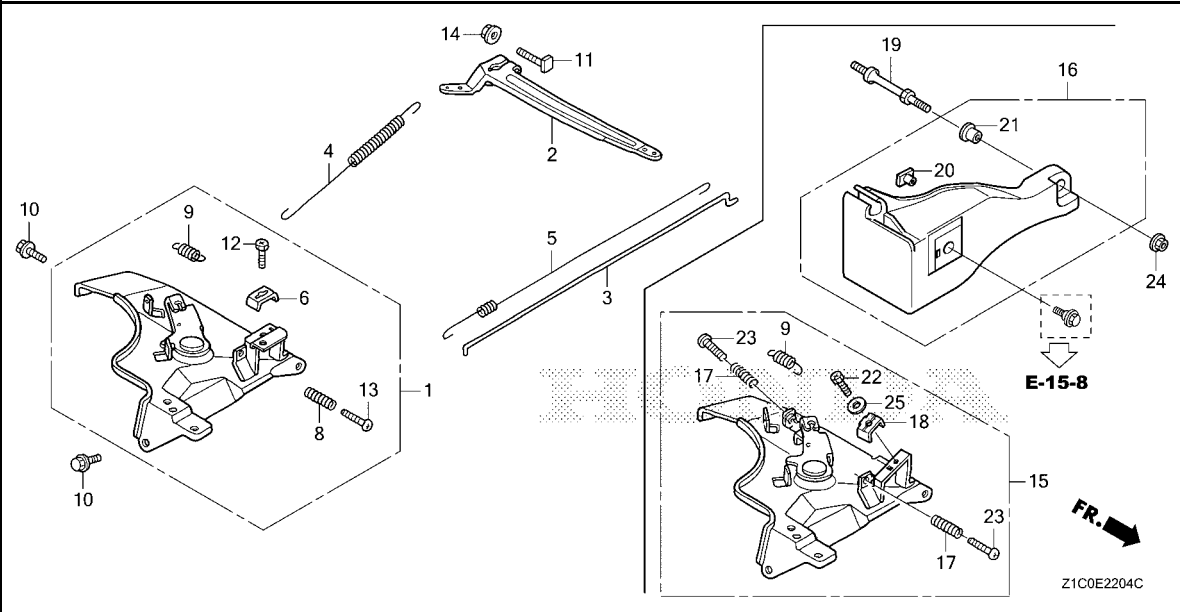
Ref. No.	L.O.N.	(Relative ref. Number) Description	F.R.T.
2	1161D0	ARM, GOVERNOR(A)	0.3
3	1161C9	ROD, GOVERNOR(A)	0.1
5	1161C5	(4,6) SPRING, GOVERNOR	0.2
7	1161D1	CONTROL, THROTTLE/GOVERNOR(A)	0.3
16	1161G0	BASE, CONTROL(A)	0.2

Ref. No.	Part No.	Description	Reqd. QTY					Serial No.	Parts catalogue code
			GX 390 T1	GX 390 T2	GX 390 T2X	GX 390 UT2	GX 390 UT2X		
1	16263-ZE3-790	JOINT, ROD	-	1	-	-	-	-----	SXX,SXX1
2	16551-ZE3-790	ARM, GOVERNOR	-	1	-	-	-	-----	SXX,SXX1
3	16555-ZE3-790	ROD, GOVERNOR	-	1	-	-	-	-----	SXX,SXX1
4	16560-ZE3-790	SPRING ASSY., GOVERNOR	-	1	-	-	-	-----	SXX,SXX1
5	16561-ZE3-790	SPRING, GOVERNOR(L=101.5MM) ..	-	1	-	-	-	-----	SXX,SXX1
6	16563-ZF6-U10	SPRING, GOVERNOR	-	1	-	-	-	-----	SXX,SXX1
7	16570-ZK6-800	CONTROL ASSY.	-	1	-	-	-	-----	SXX,SXX1
8	16571-898-000	PLATE COMP., CONTROL	-	1	-	-	-	-----	SXX,SXX1
9	16584-ZE3-790	SPRING, CONTROL ADJUSTING	-	2	-	-	-	-----	SXX,SXX1
10	90013-883-000	BOLT, FLANGE, 6X12(CT200)	-	2	-	-	-	-----	SXX,SXX1
11	90015-ZE3-790	BOLT, GOVERNOR ARM	-	1	-	-	-	-----	SXX,SXX1
12	90121-ZE3-790	SCREW, LOCK PAN	-	2	-	-	-	-----	SXX,SXX1
13	94050-06000	NUT, FLANGE, 6MM	-	1	-	-	-	-----	SXX,SXX1
14	94050-08000	NUT, FLANGE, 8MM	-	2	-	-	-	-----	SXX,SXX1
15	95003-25003-20	TUBE, VINYL, 9X11X30 (95003-25001-10M)	-	1	-	-	-	-----	SXX,SXX1
16	16580-Z5T-000	BASE COMP., CONTROL	-	1	-	-	-	-----	SXX,SXX1

2

E-22-4

CONTROL(5)



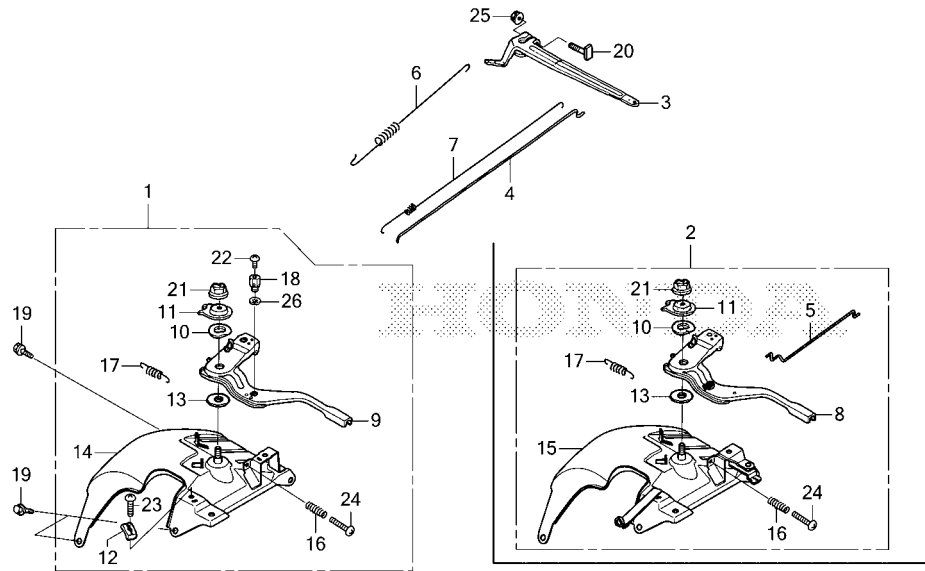
Ref. No.	L.O.N.	(Relative ref. Number) Description	F.R.T.
1	(15)		
1161A5		CONTROL, THROTTLE/GOVERNOR ...	0.2
1161A0		ARM, GOVERNOR	0.2
1161B1		ROD, GOVERNOR	0.3
1161C5		SPRING, GOVERNOR	0.2
1161C2		SPRING, THROTTLE RETURN	0.3
1161F8		COVER, GOVERNOR ROD	0.1

Ref. No.	Part No.	Description	Reqd. QTY					Serial No.	Parts catalogue code
			GX 390 T1	GX 390 T2	GX 390 T2X	GX 390 UT2	GX 390 UT2X		
1	16500-Z1C-H00	CONTROL ASSY.	-	1	-	-	-	-	LWD1
2	16551-ZE3-000	ARM, GOVERNOR	-	1	-	-	-	-	LWD1, SWDH, SWDL
3	16555-ZE3-000	ROD, GOVERNOR	-	1	-	-	-	-	LWD1, SWDH, SWDL
4	16561-ZE3-000	SPRING, GOVERNOR(L=137.5MM) ..	-	1	-	-	-	-	LWD1, SWDH, SWDL
5	16562-ZE3-000	SPRING, THROTTLE RETURN	-	1	-	-	-	-	LWD1, SWDH, SWDL
6	16576-891-000	HOLDER, CABLE	-	1	-	-	-	-	LWD1
8	16584-883-300	SPRING, CONTROL ADJUSTING	-	1	-	-	-	-	LWD1
9	16593-ZG1-700	SPRING, CONTROL LEVER RETURN ..	-	1	-	-	-	-	LWD1, SWDH, SWDL
10	90013-883-000	BOLT, FLANGE, 6X12(CT200)	-	2	-	-	-	-	LWD1, SWDH, SWDL
11	90015-Z5T-000	BOLT, GOVERNOR ARM	-	1	-	-	-	-	LWD1, SWDH, SWDL
12	92301-05016-0A	BOLT, RECESSED, 5X16	-	1	-	-	-	-	LWD1
13	93500-05032-0A	SCREW, PAN, 5X32	-	1	-	-	-	-	LWD1
14	94050-06000	NUT, FLANGE, 6MM	-	1	-	-	-	-	LWD1, SWDH, SWDL
15	16500-Z1C-H41	CONTROL ASSY.	-	1	-	-	-	-	SWDH, SWDL
16	16530-Z1D-H00	COVER COMP., GOVERNOR	-	1	-	-	-	-	SWDH, SWDL
17	16584-883-300	SPRING, CONTROL ADJUSTING	-	2	-	-	-	-	SWDH, SWDL
18	16617-ZE3-J10	HOLDER, CABLE	-	1	-	-	-	-	SWDH, SWDL
19	90043-Z1D-H00	BOLT, GOVERNOR COVER	-	1	-	-	-	-	SWDH, SWDL
20	90201-Z1D-300	NUT, SPECIAL, 6X7	-	1	-	-	-	-	SWDH, SWDL
21	91501-Z1D-300	COLLAR, 6.5X6	-	1	-	-	-	-	SWDH, SWDL
22	92301-05022-0A	BOLT, RECESSED, 5X22	-	1	-	-	-	-	SWDH, SWDL
23	93500-05032-0A	SCREW, PAN, 5X32	-	2	-	-	-	-	SWDH, SWDL
24	94050-06070	NUT, FLANGE, 6MM	-	1	-	-	-	-	SWDH, SWDL
25	94103-05000	WASHER, PLAIN, 5MM	-	1	-	-	-	-	SWDH, SWDL



E-22-5

CONTROL(6)



FR. →
Z1C0E2205A

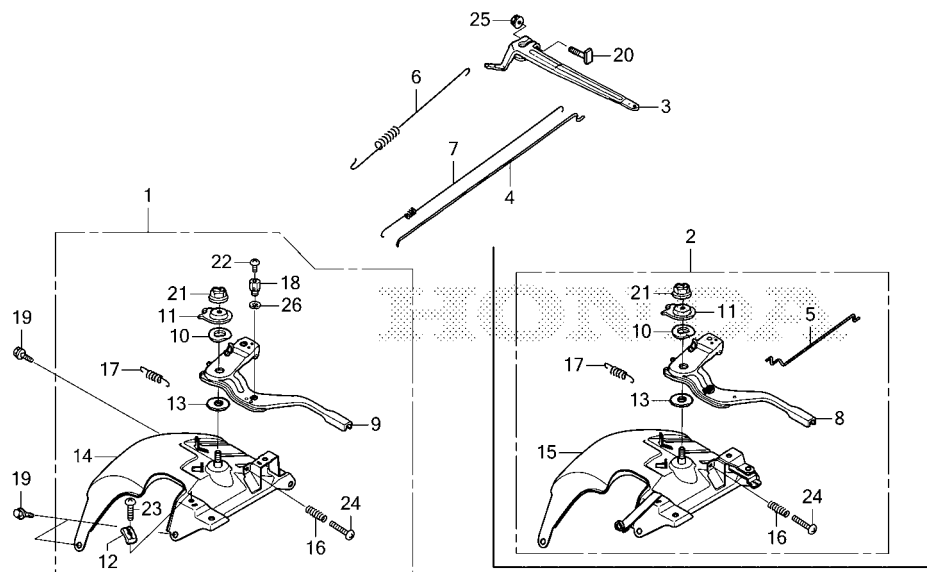
Ref. No.	L.O.N.	(Relative ref. Number) Description	F.R.T.
1		(2)	
1161A5		CONTROL, THROTTLE/GOVERNOR ...	0.2
3	1161A0	ARM, GOVERNOR	0.2
4	1161B1	ROD, GOVERNOR	0.3
6	1161C5	SPRING, GOVERNOR	0.2
7	1161C2	SPRING, THROTTLE RETURN	0.3
9		(8)	
1161A8		LEVER, CONTROL	0.3
14		(15)	
1161A2		BASE, CONTROL	0.3

Ref. No.	Part No.	Description	Reqd. QTY					Serial No.	Parts catalogue code
			GX 390 T1	GX 390 T2	GX 390 T2X	GX 390 UT2	GX 390 UT2X		
1	16500-Z1C-950	CONTROL ASSY.	-	1	-	-	-	LBD, QBD, QBT	
2	16500-Z1C-960	CONTROL ASSY. (BANKA)	-	1	-	-	2204500	LBP, QBP	
	16500-Z1C-970	CONTROL ASSY.	-	1	-	-	2217565	QBL	
	16500-Z1C-961	CONTROL ASSY. (BANKA)	-	1	-	-	2204501	LBP, QBP	
	16500-Z1C-971	CONTROL ASSY.	-	1	-	-	2217566	QBL	
3	16551-ZE3-000	ARM, GOVERNOR	-	1	-	-	-	LBD, QBD, QBT	
4	16555-ZE3-000	ROD, GOVERNOR	-	1	-	-	-	LBD, QBD, QBT	
	17841-Z1C-810	ROD, THROTTLE	-	1	-	-	-	LBP, QBL, QBP	
5	16556-Z1C-810	ROD, CONTROL	-	1	-	-	-	LBP, QBL, QBP	
6	16561-Z1C-950	SPRING, GOVERNOR	-	1	-	-	-	LBD, QBD, QBT	
7	16562-Z1C-810	SPRING, THROTTLE RETURN	-	1	-	-	-	LBP, QBL, QBP	
8	16571-Z1C-950	LEVER, CONTROL	-	1	-	-	-	QBL	
	16570-Z1C-820	LEVER COMP., CONTROL	-	1	-	-	2204500	LBP, QBP	
	16570-Z1C-821	-	1	-	-	2204501	LBP, QBP	
9	16571-Z1C-800	LEVER, CONTROL	-	1	-	-	-	LBD, QBD, QBT	
10	16574-ZE1-000	SPRING, LEVER	-	1	-	-	-	LBD, LBP, QBD, QBL, QBP, QBT	
11	16575-Z1C-810	WASHER, CONTROL LEVER	-	1	-	-	-	LBD, LBP, QBD, QBL, QBP, QBT	
12	16576-891-000	HOLDER, CABLE	-	1	-	-	-	LBD, QBD, QBT	
13	16578-ZE1-000	SPACER, CONTROL LEVER	-	1	-	-	-	LBD, LBP, QBD, QBL, QBP, QBT	
14	16580-Z1C-950	BASE COMP., CONTROL	-	1	-	-	-	LBD, QBD, QBT	
15	16580-Z1C-960	BASE COMP., CONTROL	-	1	-	-	2204500	LBP, QBP	
	16580-Z1C-970	-	1	-	-	2217565	QBL	
	16580-Z1C-961	-	1	-	-	2204501	LBP, QBP	
	16580-Z1C-971	-	1	-	-	2217566	QBL	
16	16584-883-300	SPRING, CONTROL ADJUSTING	-	1	-	-	-	LBD, LBP, QBD, QBL, QBP, QBT	
17	16592-Z1C-810	SPRING, CABLE RETURN	-	1	-	-	-	LBD, LBP, QBD, QBL, QBP, QBT	



E-22-5

CONTROL(6)

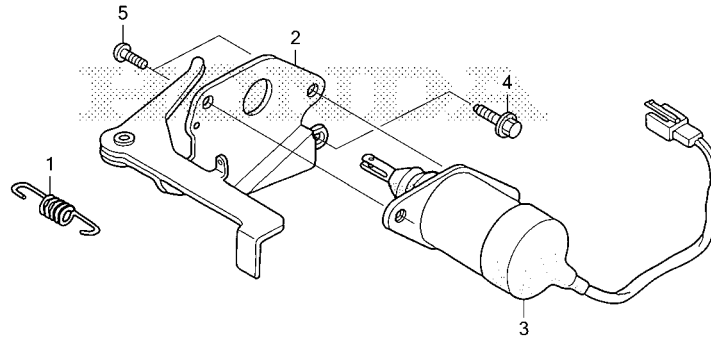


FR. →
Z1C0E2205A

Ref. No.	Part No.	Description	Reqd. QTY					Serial No.	Parts catalogue code
			GX 390 T1	GX 390 T2	GX 390 T2X	GX 390 UT2	GX 390 UT2X		
18	16594-883-010	HOLDER, WIRE.....	-	1	-	-	-	LBD, QBD, QBT	
19	90013-Z0T-810	BOLT, FLANGE, 6X12(CT200)....	-	3	-	-	-	LBD, LBP, QBD, QBL, QBP, QBT	
20	90015-Z5T-000	BOLT, GOVERNOR ARM.....	-	1	-	-	-	LBD, QBD, QBT	
21	90114-SA0-000	NUT, SELF-LOCK, 6MM.....	-	1	-	-	-	LBD, LBP, QBD, QBL, QBP, QBT	
22	93500-04006-0H	SCREW, PAN, 4X6.....	-	1	-	-	-	LBD, QBD, QBT	
23	93500-05016-0A	SCREW, PAN, 5X16.....	-	1	-	-	-	LBD, QBD, QBT	
24	93500-05025-0H	SCREW, PAN, 5X25.....	-	1	-	-	-	LBD, LBP, QBD, QBL, QBP, QBT	
25	94050-06000	NUT, FLANGE, 6MM.....	-	1	-	-	-	LBD, QBD, QBT	
26	94540-05018	E-RING, 5MM.....	-	1	-	-	-	LBD, QBD, QBT	

E-22-20

AUTO THROTTLE



Z1C0E2220A

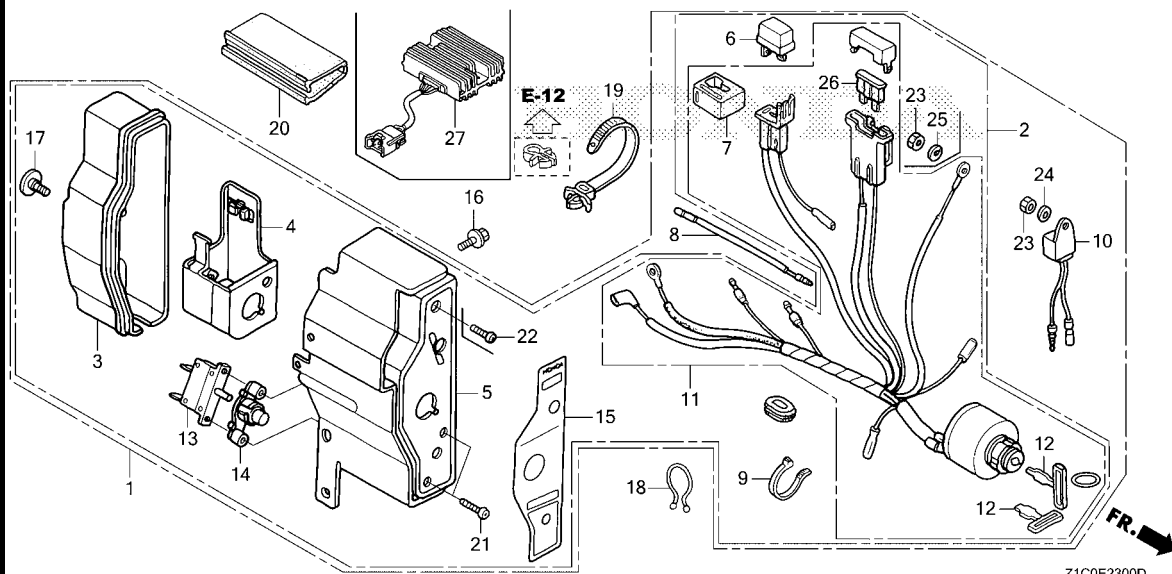
Ref. No.	L.O.N.	(Relative ref. Number) Description	F.R.T.
1	8101Q9	SPRING, CHOKE RETURN	0.1
2	8101H1	LEVER, THROTTLE	0.2
3	6211C5	SOLENOID, AUTO THROTTLE	0.3

Ref. No.	Part No.	Description	Reqd. QTY					Serial No.	Parts catalogue code
			GX 390 T1	GX 390 T2	GX 390 T2X	GX 390 UT2	GX 390 UT2X		
1	16268-893-000	SPRING, CHOKE RETURN	1	1	-	-	-	EDS5, EDT5, EWS1, EWS3, EWS4, EWS5, VMQ3, VMT, VMT2, VMT3, VWC5 VWE5	
2	17850-ZD1-E30	LEVER COMP., THROTTLE	1	1	-	-	-	EDS5, EDT5, EWS1, EWS3, EWS4, EWS5, VMQ3, VMT, VMT2, VMT3, VWC5 VWE5	
3	36160-ZB4-013	SOLENOID ASSY.	1	1	-	-	-	EDS5, EDT5, EWS1, EWS3, EWS4, EWS5, VMQ3, VMT, VMT2, VMT3, VWC5 VWE5	
4	90013-883-000	BOLT, FLANGE, 6X12(CT200)	1	1	-	-	-	EDS5, EDT5, EWS1, EWS3, EWS4, EWS5, VMQ3, VMT, VMT2, VMT3, VWC5 VWE5	
5	93500-05008-0A	SCREW, PAN, 5X8	2	2	-	-	-	EDS5, EDT5, EWS1, EWS3, EWS4, EWS5, VMQ3, VMT, VMT2, VMT3, VWC5 VWE5	



E-23

CONTROL BOX(1)



Ref. No.	L.O.N.	(Relative ref. Number) Description	F.R.T.
1	(2)		
6221N7		BOX, ENGINE CONTROL	0.1
5 6221P7		PANEL, ENGINE CONTROL	0.2
6 6131B8		RECTIFIER, SILICON	0.2
10 6151K4		ALERT UNIT, ENGINE CONTROL OIL	0.2
11 6151E1		SWITCH, COMBINATION	0.2
13 6221D4		PROTECTOR, CIRCUIT	0.2
26 8121A7		FUSE, BLADE	0.1
27 6131B7		RECTIFIER, REGULATOR	0.2

Ref. No.	Part No.	Description	Reqd. QTY					Serial No.	Parts catalogue code
			GX 390 T1	GX 390 T2	GX 390 T2X	GX 390 UT2	GX 390 UT2X		
1	31610-ZE3-W13ZE	BOX ASSY., CONTROL(ALERT) *R280*.....POWER RED	1	-	-	-	-	LXE8, PXE8, QXE8, SXE8, VXE8	
	31610-Z5T-803ZA	BOX ASSY., CONTROL(EXP-ALERT) *R280*.....POWER RED	1	-	-	-	-	LXE9	
	31610-ZE3-W14ZE	BOX ASSY., CONTROL(ALERT) *R280*.....POWER RED	1	-	-	-	-	QXE, QXEK, SXE, VMT2, VMT3, VTE5, VXE, VXK, VXU1	
2	31610-ZE3-812ZD	BOX ASSY., CONTROL *R280*.....POWER RED	1	-	-	-	-	QBE1, SHE, SWE, SWE2	
	31610-Z5T-821ZA	BOX ASSY., CONTROL(3A) *NH1*.....BLACK	-	1	-	-	-	LWD	
	31610-Z5T-821ZB	*R280*.....POWER RED	-	1	-	-	-	LWD, QTE	
	31610-Z5T-811ZB	BOX ASSY., CONTROL(EXTERNAL) *R280*.....POWER RED	-	1	-	-	-	LXE5, LXE9, PXE5, QX5, QXE5, SXE5	
	31610-Z5T-811ZA	*NH1*.....BLACK	-	1	-	-	-	LXE5, PXE5, QX5, QXE5, SXE5	
	31610-Z5T-851ZB	*R280*.....POWER RED	-	1	-	-	-	QBE1, QBE1/A, SWE2, VMT2	
	31610-Z5T-831ZA	BOX ASSY., CONTROL(10A) *NH1*.....BLACK	-	1	-	-	-	QKA5, SC5	
	31610-Z5T-831ZB	*R280*.....POWER RED	-	1	-	-	-	QKA5, SC5	
	31610-Z5T-841ZA	BOX ASSY., CONTROL(18A) *NH1*.....BLACK	-	1	-	-	-	QNR5	
	31610-Z5T-841ZB	*R280*.....POWER RED	-	1	-	-	-	QNR5	
	31610-Z5T-811ZB	BOX ASSY., CONTROL(EXTERNAL) *R280*.....POWER RED	-	1	-	-	-	1031160 QXE, QXEK, VMT, VMT3, VTE5, VXE, VXK, VXU1	
	31610-Z5T-851ZB	*R280*.....POWER RED	-	1	-	-	-	1031161 QXE, QXEK, VMT, VMT3, VTE5, VXE, VXK, VXU1	
3	31612-ZE2-003	CASE, CONTROL	1	1	-	-	-	LWD, LXE5, LXE8, LXE9, PXE5, PXE8, QBE1, QBE1/A, QKA5, QNR5, QTE QX5, QXE, QXE5, QXEK, SC5, SHE, SWE, SWE2, SXE, SXE5, SXE8, VMT VMT2, VMT3, VTE5, VXE, VXE8, VXK, VXU1	

2

E-23

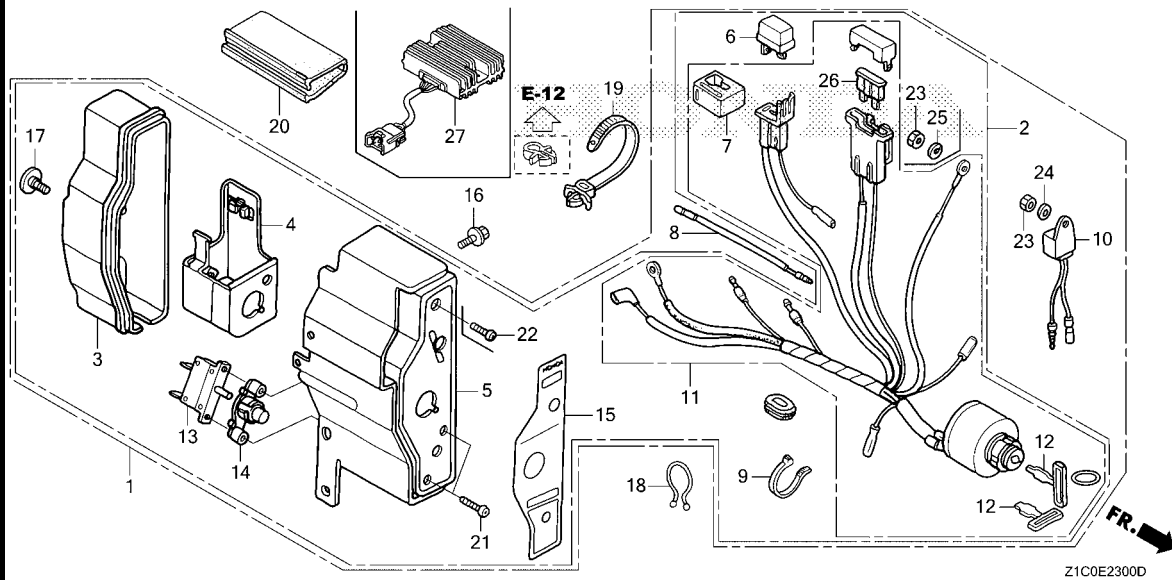
CONTROL BOX(1)

Ref. No.	Part No.	Description	Reqd. QTY					Serial No.	Parts catalogue code
			GX 390 T1	GX 390 T2	GX 390 T2X	GX 390 UT2	GX 390 UT2X		
4	31614-ZE2-003	BRACKET, CASE MOUNTING.....	1	1	-	-	-	LWD, LXE5, LXE8, LXE9, PXE5, PXE8, QBE1, QBE1/A, QKA5, QNR5, QTE QX5, QXE, QXE5, QXE8, QXEK, SC5, SHE, SWE, SWE2, SXE, SXE5, SXE8, VMT VMT2, VMT3, VTE5, VXE, VXE8, VXX, VXU1	
5	31615-ZE3-003ZE	PANEL COMP., CONTROL *R280*.....POWER RED	1	1	-	-	-	LWD, LXE5, LXE8, LXE9, PXE5, PXE8, QBE1, QBE1/A, QKA5, QNR5, QTE QX5, QXE, QXE5, QXE8, QXEK, SC5, SHE, SWE, SWE2, SXE, SXE5, SXE8, VMT VMT2, VMT3, VTE5, VXE, VXE8, VXX, VXU1	
	31615-ZE3-003ZA	*NH1*.....BLACK	-	1	-	-	-	LWD, LXE5, PXE5, QKA5, QNR5, QX5, QXE5, SC5, SXE5	
6	31700-124-008	RECTIFIER ASSY., SILICON (SHINDENGEN)	1	1	-	-	-	LWD, LXE5, LXE8, LXE9, PXE5, PXE8, QBE1, QBE1/A, QTE, QX5, QXE, QXE5 QXE8, QXEK, SHE, SWE, SWE2, SXE, SXE5, SXE8, VMT, VMT2, VMT3, VTE5 VXE, VXE8, VXX, VXU1	
7	32127-738-700	SUSPENSION, COUPLER.....	1	1	-	-	-	LWD, LXE5, LXE8, LXE9, PXE5, PXE8, QBE1, QBE1/A, QTE, QX5, QXE, QXE5 QXE8, QXEK, SHE, SWE, SWE2, SXE, SXE5, SXE8, VMT, VMT2, VMT3, VTE5 VXE, VXE8, VXX, VXU1	
8	32197-ZE1-003	HARNESS, SUB WIRE.....	1	-	-	-	-	LXE8, LXE9, PXE8, QXE, QXE8, QXEK, SXE, SXE8, VMT2, VMT3, VTE5, VXE VXE8, VXX, VXU1	
9	32902-892-003	BAND.....	1	1	-	-	-	LWD, LXE5, LXE8, LXE9, PXE5, PXE8, QBE1, QBE1/A, QKA5, QNR5, QTE QX5, QXE, QXE5, QXE8, QXEK, SC5, SHE, SWE, SWE2, SXE, SXE5, SXE8, VMT VMT2, VMT3, VTE5, VXE, VXE8, VXX, VXU1	
10	34150-ZH7-003	ALERT UNIT, OIL.....	1	-	-	-	-	LXE8, PXE8, QXE8, SXE8, VXE8	
	34150-ZH7-023	1	-	-	-	-	LXE9, QXE, QXEK, SXE, VMT2, VMT3, VTE5, VXE, VXX, VXU1	
11	35100-ZE2-023	SWITCH ASSY., COMBINATION....	1	-	-	-	-	LXE8, PXE8, QXE8, SXE8, VXE8	
	35100-ZE2-033	1	-	-	-	-	QBE1, SWE2, VMT2, VMT3	
	35100-ZE2-023	1	-	-	-	-	LXE9, QXE, QXEK, SHE, SWE, SXE, VTE5, VXE, VXX, VXU1	
	35100-ZE2-033	1	-	-	-	1395132	LXE9, QXE, QXEK, SHE, SWE, SXE, VTE5, VXE, VXX, VXU1	
	35100-Z5T-821	SWITCH ASSY., COMBINATION (3A-CHARGE)	-	1	-	-	-	LWD, QTE	
	35100-Z5T-811	SWITCH ASSY., COMBINATION....	-	1	-	-	-	LXE5, LXE9, PXE5, QBE1, QBE1/A, QX5, QXE, QXE5, QXEK, SWE2, SXE5 VMT, VMT2, VMT3, VTE5, VXE, VXX, VXU1	
	35100-Z5T-831	SWITCH ASSY., COMBINATION(10A)	-	1	-	-	-	QKA5, SC5	
	35100-Z5T-841	SWITCH ASSY., COMBINATION(18A)	-	1	-	-	-	QNR5	
12	35111-880-013	KEY COMP.(HONDA LOCK).....	2	2	-	-	-	LWD, LXE5, LXE8, LXE9, PXE5, PXE8, QBE1, QBE1/A, QKA5, QNR5, QTE QX5, QXE, QXE5, QXE8, QXEK, SC5, SHE, SWE, SWE2, SXE, SXE5, SXE8, VMT VMT2, VMT3, VTE5, VXE, VXE8, VXX, VXU1	
13	38240-VA3-900	PROTECTOR, CIRCUIT(1.0A).....	1	1	-	-	-	LXE5, LXE8, LXE9, PXE5, PXE8, QBE1, QBE1/A, QX5, QXE, QXE5, QXE8 QXEK, SHE, SWE, SWE2, SXE, SXE5, SXE8, VMT, VMT2, VMT3, VTE5, VXE VXE8, VXX, VXU1	
	38240-ZE2-840	PROTECTOR, CIRCUIT(3.5A).....	-	1	-	-	-	LWD, QTE	
14	38250-ZA8-701	LENS ASSY., PROTECTOR.....	1	1	-	-	-	LWD, LXE5, LXE8, LXE9, PXE5, PXE8, QBE1, QBE1/A, QTE, QX5, QXE, QXE5 QXE8, QXEK, SHE, SWE, SWE2, SXE, SXE5, SXE8, VMT, VMT2, VMT3, VTE5 VXE, VXE8, VXX, VXU1	
15	87529-Z4T-840	MARK, CONTROL BOX(EXTERNAL) ..	1	1	-	-	-	LWD, LXE5, LXE9, PXE5, QTE, QX5, QXE5, SXE5	
	87529-ZE2-812	MARK, CONTROL BOX(EXP).....	1	-	-	-	-	LXE8, PXE8, QBE1, QXE, QXE8, QXEK, SHE, SWE, SWE2, SXE, SXE8, VMT2 VMT3, VTE5, VXE, VXE8, VXX, VXU1	
	87529-Z4S-820	-	1	-	-	-	QBE1, QBE1/A, SWE2, VMT2	
	87529-Z4T-840	MARK, CONTROL BOX(EXTERNAL) ..	-	1	-	-	-	QKA5, QNR5, SC5	
	87529-ZE2-812	MARK, CONTROL BOX(EXP).....	-	1	-	-	1031160	QXE, QXEK, VMT, VMT3, VTE5, VXE, VXX, VXU1	
			-	1	-	-	1031161	QXE, QXEK, VMT, VMT3, VTE5, VXE, VXX, VXU1	
16	90013-883-000	BOLT, FLANGE, 6X12(CT200)....	2	2	-	-	-	LWD, LXE5, LXE8, LXE9, PXE5, PXE8, QBE1, QBE1/A, QKA5, QNR5, QTE QX5, QXE, QXE5, QXE8, QXEK, SC5, SHE, SWE, SWE2, SXE, SXE5, SXE8, VMT VMT2, VMT3, VTE5, VXE, VXE8, VXX, VXU1	
17	90380-MA6-010	SCREW, SPECIAL, 6X12.....	1	1	-	-	-	LWD, LXE5, LXE8, LXE9, PXE5, PXE8, QBE1, QBE1/A, QKA5, QNR5, QTE QX5, QXE, QXE5, QXE8, QXEK, SC5, SHE, SWE, SWE2, SXE, SXE5, SXE8, VMT VMT2, VMT3, VTE5, VXE, VXE8, VXX, VXU1	



E-23

CONTROL BOX(1)

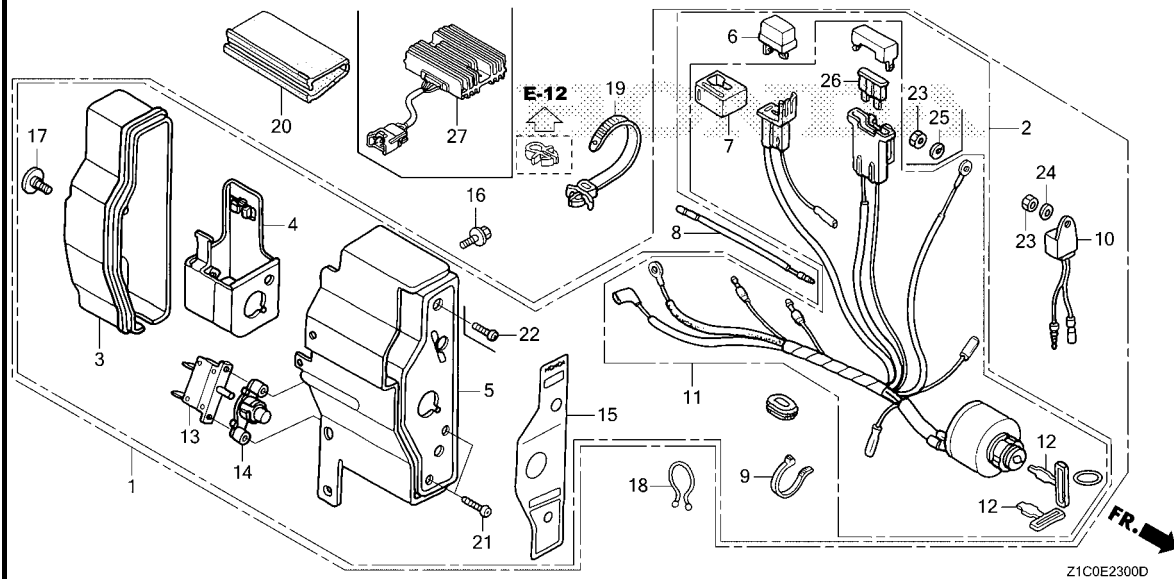


Ref. No.	Part No.	Description	Reqd. QTY					Serial No.	Parts catalogue code
			GX 390 T1	GX 390 T2	GX 390 T2X	GX 390 UT2	GX 390 UT2X		
18	90630-751-000	CLIP, PURSE LOCK.....	1	1	-	-	-	LWD, LXE5, LXE8, LXE9, PXE5, PXE8, QBE1, QBE1/A, QKA5, QNR5, QTE QX5, QXE, QXE5, QXE8, QXEK, SC5, SHE, SWE, SWE2, SXE, SXE5, SXE8, VMT VMT2, VMT3, VTE5, VXE, VXE8, VXX, VXU1	
19	90672-SA0-003	STRAP, CABLE, 118MM(BLACK)...	1	1	-	-	-	LWD, LXE5, LXE8, LXE9, PXE5, PXE8, QBE1, QBE1/A, QKA5, QNR5, QTE QX5, QXE, QXE5, QXE8, QXEK, SC5, SHE, SWE, SWE2, SXE, SXE5, SXE8, VMT VMT2, VMT3, VTE5, VXE, VXE8, VXX, VXU1	
20	91406-ZE2-003	TUBE, FASTENER, 30MM.....	1	1	-	-	-	LWD, LXE5, LXE8, LXE9, PXE5, PXE8, QBE1, QBE1/A, QKA5, QNR5, QTE QX5, QXE, QXE5, QXE8, QXEK, SC5, SHE, SWE, SWE2, SXE, SXE5, SXE8, VMT VMT2, VMT3, VTE5, VXE, VXE8, VXX, VXU1	
21	93500-03012-0H	SCREW, PAN, 3X12.....	2	2	-	-	-	LWD, LXE5, LXE8, LXE9, PXE5, PXE8, QBE1, QBE1/A, QTE, QX5, QXE, QXE5 QXE8, QXEK, SHE, SWE, SWE2, SXE, SXE5, SXE8, VMT, VMT2, VMT3, VTE5 VXE, VXE8, VXX, VXU1	
22	93500-04012-0H	SCREW, PAN, 4X12.....	1	-	-	-	-	LXE8, LXE9, PXE8, QBE1, QXE, QXE8, QXEK, SHE, SWE, SWE2, SXE, SXE8 VMT2, VMT3, VTE5, VXE, VXE8, VXX, VXU1	
23	94001-04390-0S	NUT, HEX., 4MM.....	2	-	-	-	-	QKA5, QNR5, SC5 LXE8, LXE9, PXE8, QBE1, QXE, QXE8, QXEK, SXE, SXE8, VMT2, VMT3, VTE5, VXE VXE8, VXX, VXU1	
24	94101-04800	WASHER, PLAIN, 4MM.....	1	-	-	-	-	QBE1, SHE, SWE, SWE2 QKA5, QNR5, SC5	
25	94111-04800	WASHER, SPRING, 4MM.....	1	-	-	-	-	LXE8, LXE9, PXE8, QBE1, QXE, QXE8, QXEK, SHE, SWE, SWE2, SXE, SXE8 VMT2, VMT3, VTE5, VXE, VXE8, VXX, VXU1	
26	98200-30500	FUSE, BLADE(5A).....	1	1	-	-	-	QKA5, QNR5, SC5	



E-23

CONTROL BOX(1)

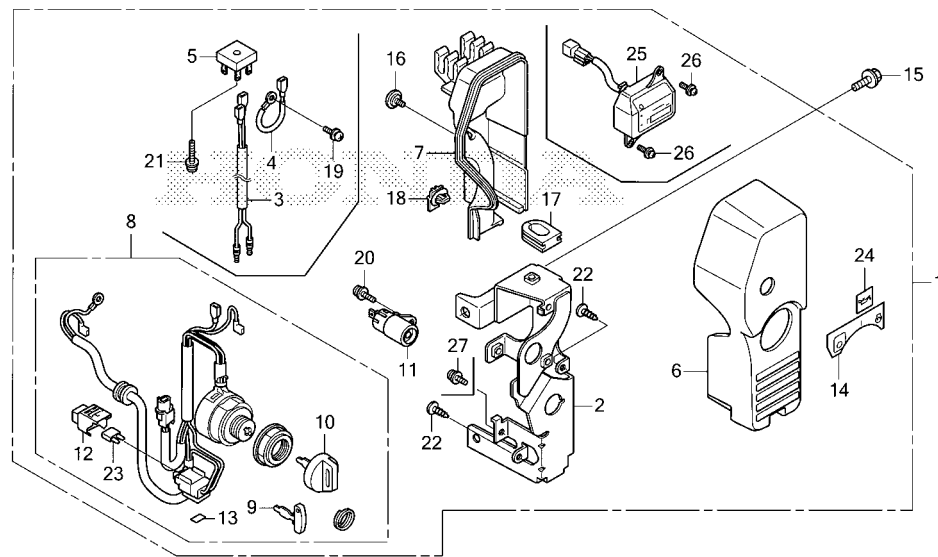


Ref. No.	Part No.	Description	Reqd. QTY					Serial No.	Parts catalogue code
			GX 390 T1	GX 390 T2	GX 390 T2X	GX 390 UT2	GX 390 UT2X		
26)	98200-31500	FUSE, BLADE(15A).....	-	1	-	-	-	-----	QKA5,QTE,SC5
	98200-32500	FUSE, BLADE(25A).....	-	1	-	-	-	-----	QNR5
27	31620-ZG5-033	RECTIFIER ASSY., REGULATOR (20A)	-	1	-	-	-	-----	QNR5



E-23-1

CONTROL BOX(2)

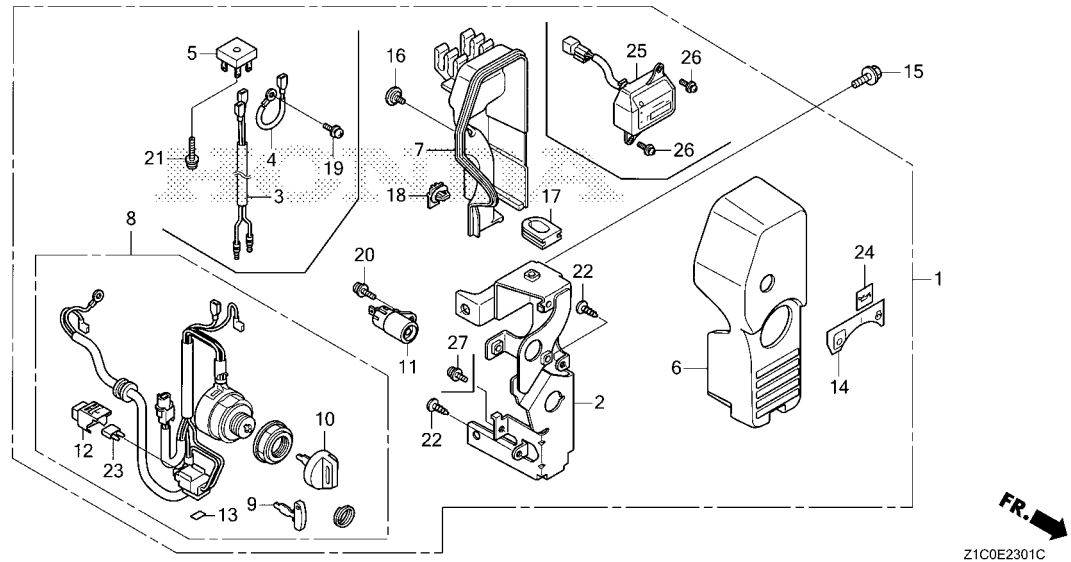


Ref. No.	L.O.N.	(Relative ref. Number) Description	F.R.T.
1	6221N7	BOX, ENGINE CONTROL	0.1
5	6221L0	RECTIFIER, CONTROL BOX	0.2
8	6151E1	SWITCH, COMBINATION	0.2
11	6221C2	INDICATOR	0.2
23	8121A9	FUSE, MINI	0.1
25	812113	METER, HOUR	0.2

Ref. No.	Part No.	Description	Reqd. QTY					Serial No.	Parts catalogue code
			GX 390 T1	GX 390 T2	GX 390 T2X	GX 390 UT2	GX 390 UT2X		
1	31610-Z5T-W50	BOX ASSY., CONTROL	-	1	-	-	-	-----	QZSD
	31610-Z5T-W00	-	1	-	-	-	-----	VZKK,VZX
2	31614-Z5T-W10	BRACKET, SWITCH BOX(HM)	-	1	-	-	-	-----	QZSD
	31614-Z5T-W00	BRACKET, SWITCH BOX	-	1	-	-	-	-----	VZKK,VZX
3	31711-Z5T-W00	CORD, CHARGE COIL	-	1	-	-	-	-----	VZKK,VZX
4	31712-Z5T-W00	CORD, EARTH	-	1	-	-	-	-----	VZKK,VZX
5	31713-Z5T-W01	RECTIFIER COMP.	-	1	-	-	-	-----	VZKK,VZX
6	32346-Z5T-W10	PANEL, CONTROL(HM)	-	1	-	-	-	-----	QZSD
	32346-Z5T-W00	PANEL, CONTROL	-	1	-	-	-	-----	VZKK,VZX
7	32612-Z5T-W00	COVER, CONTROL	-	1	-	-	-	-----	QZSD,VZKK,VZX
8	35100-Z5T-W51	SWITCH ASSY., COMBINATION	-	1	-	-	-	-----	QZSD
	35100-Z5T-W01	SWITCH ASSY., COMBINATION(IND)	-	1	-	-	-	-----	VZKK,VZX
9	35110-Z5T-W01	KEY COMP.	-	1	-	-	-	-----	QZSD,VZKK,VZX
10	35110-Z5T-W11	KEY ASSY., COMBINATION SWITCH (BLACK)	-	1	-	-	-	-----	QZSD,VZKK,VZX
11	37150-Z5T-W01	INDICATOR ASSY.	-	1	-	-	-	-----	VZKK,VZX
12	38216-Z2E-003	COVER ASSY., FUSE	-	1	-	-	-	-----	QZSD,VZKK,VZX
13	87117-Z2E-800	LABEL, FUSE(30A)	-	1	-	-	-	-----	QZSD,VZKK,VZX
14	87501-Z5T-W00	MARK, ENGINE SWITCH	-	1	-	-	-	-----	QZSD,VZKK,VZX
15	90013-883-000	BOLT, FLANGE, 6X12(CT200)	-	2	-	-	-	-----	QZSD,VZKK,VZX
16	90380-MB2-000	SCREW, SPECIAL, 6X8	-	1	-	-	-	-----	QZSD,VZKK,VZX
17	90601-Z5T-W00	GROMMET, CONTROL BOX	-	1	-	-	-	-----	QZSD,VZKK,VZX
18	91565-SEL-003	CLIP, COUPLER(BLACK)	-	1	-	-	-	-----	QZSD,VZKK,VZX
19	93891-04008-08	SCREW-WASHER, 4X8	-	1	-	-	-	-----	VZKK,VZX
20	93891-04010-08	SCREW-WASHER, 4X10	-	1	-	-	-	-----	VZKK,VZX

E-23-1

CONTROL BOX(2)



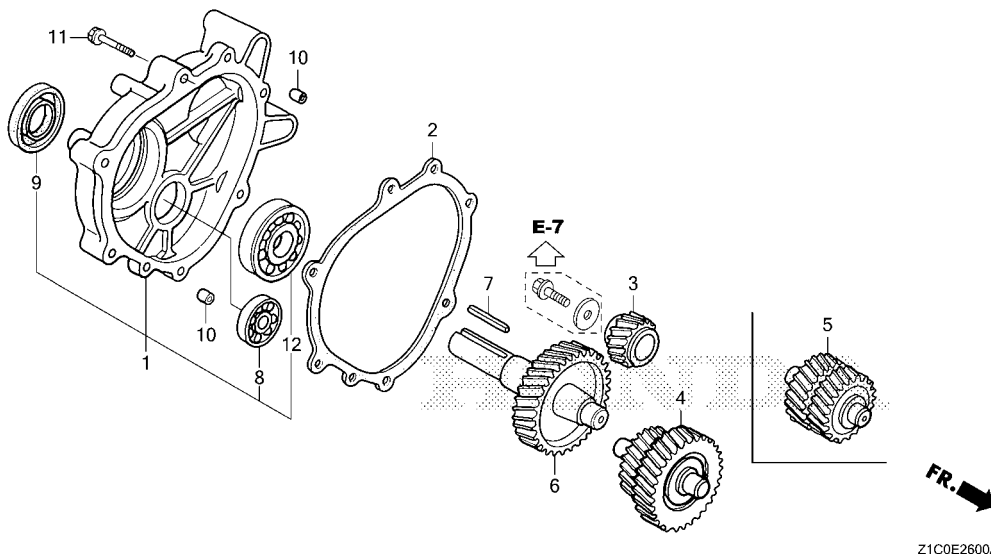
Z1C0E2301C

Ref. No.	Part No.	Description	Reqd. QTY					Serial No.	Parts catalogue code
			GX 390 T1	GX 390 T2	GX 390 T2X	GX 390 UT2	GX 390 UT2X		
21	93893-04020-08	SCREW-WASHER, 4X20	-	1	-	-	-	VZKK, VZX	
22	93913-24310	SCREW, TAPPING, 4X14(P0)	-	2	-	-	-	QZSD, VZKK, VZX	
23	98200-43000	FUSE, MINI(30A)	-	1	-	-	-	QZSD, VZKK, VZX	
24	87594-Z5T-W00	MARK, OIL CAUTION	-	1	-	-	-	QZSD, VZKK, VZX	
25	39700-Z5T-W01	METER ASSY., HOUR	-	1	-	-	-	QZSD	
26	93891-04012-08	SCREW-WASHER, 4X12	-	2	-	-	-	QZSD	
27	93891-04008-08	SCREW-WASHER, 4X8	-	1	-	-	-	QZSD	



E-26

REDUCTION

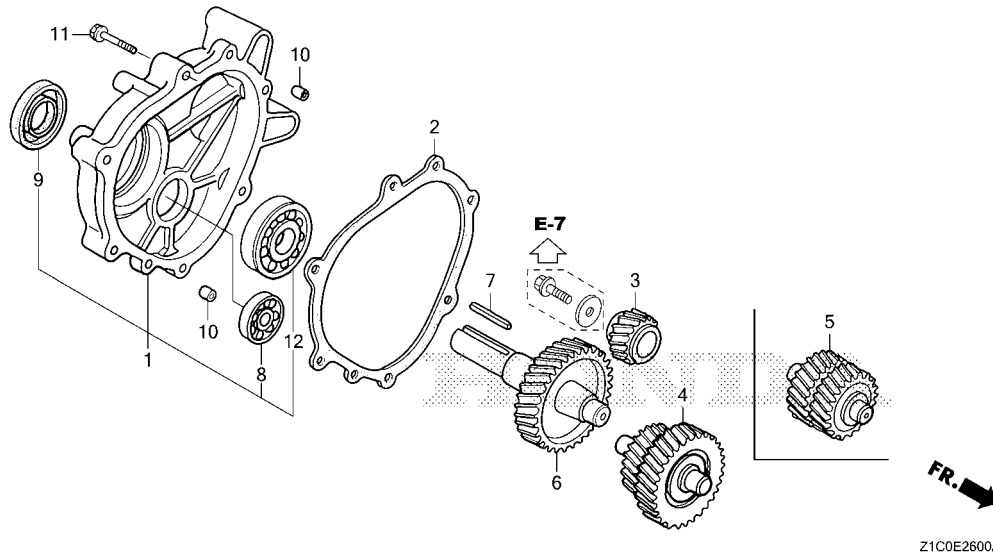


Ref. No.	L.O.N.	(Relative ref. Number) Description	F.R.T.
1	2141L1	COVER, REDUCTION GEAR CASE ...	0.2
2	2141Q0	PACKING, REDUCTION CASE	0.2
3	2141L2	GEAR, PRIMARY DRIVE	0.2
4		(5)	
	2091A2	COUNTERSHAFT	0.2
6	2141H4	SHAFT, POWER TAKE OFF	0.2
8	2101B0	BEARING, COUNTERSHAFT	0.3
9	2141F2	OIL SEAL, POWER TAKE OFF SHAFT	0.3
12	2141A8	BEARING, POWER TAKE OFF SHAFT	0.3

Ref. No.	Part No.	Description	Reqd. QTY					Serial No.	Parts catalogue code
			GX 390 T1	GX 390 T2	GX 390 T2X	GX 390 UT2	GX 390 UT2X		
1	11500-Z8T-612	COVER ASSY., GEAR CASE	1	-	-	1	1	-----	LBH, LBHS, LFU
	11500-ZK3-800	1	-	-	-	-	-----	LT
	11500-ZE3-611	1	-	-	-	-	-----	LXE8, LXU
			1	-	-	-	-	-----	1005318 LBHB
			1	-	-	-	-	-----	1702851 LH, LH2, LHB5, LHP1, LP, LXE9
	11500-Z8T-610	1	-	-	-	-	1005319 1007803	LBHB
	11500-Z8T-611	1	-	-	-	-	1007804	LBHB
	11500-Z8T-610	1	-	-	-	-	1702852 1717135	LH, LH2, LHB5, LHP1, LP, LXE9
	11500-Z8T-611	1	-	-	-	-	1717136	LH, LH2, LHB5, LHP1, LP, LXE9
	11500-Z8T-612	-	1	-	-	-	-----	LBD, LBH, LBHB, LBHS, LBP, LEAJ, LTK1, LWD, LWP1, LXE5, LXQ5
	11500-Z8T-610	-	1	-	-	-	-----	1053418 LH, LH2, LHB5, LHP1, LXE9
	11500-ZE3-613	-	1	-	-	-	1275316	LWD1
	11500-Z8T-611	-	1	-	-	-	1053419	LH, LH2, LHB5, LHP1, LXE9
	11500-Z8T-612	-	1	-	-	-	1275317	LWD1
2	11521-ZE2-800	PACKING, CHAIN CASE COVER	1	1	-	1	1	-----	LBD, LBH, LBHB, LBHS, LBP, LEAJ, LFU, LH, LH2, LHB5, LHP1, LP, LT, LTK1, LWD, LWD1, LWP1, LXE5, LXE8, LXE9, LXQ5, LXU
3	22103-ZE3-610	GEAR, PRIMARY DRIVE(22T)	1	1	-	1	-	-----	LBH, LBHS, LEAJ, LFU, LH, LH2, LHB5, LT, LTK1, LWD, LWD1, LWP1, LXE5, LXE8, LXE9, LXQ5, LXU
	22103-ZE3-W00	GEAR, PRIMARY DRIVE(BANKA) (27T)	1	1	-	-	-	-----	LBHB, LHP1, LP
	23411-Z1C-950	GEAR, PRIMARY DRIVE(12T)	-	1	-	-	-	-----	LBD
	23411-Z1C-960	GEAR, PRIMARY DRIVE(27T)	-	1	-	-	-	-----	LBP
	23411-Z1C-000	GEAR, PRIMARY DRIVE(22T)	-	-	-	-	1	-----	LFU
4	23220-ZE3-610	COUNTERSHAFT COMP.(21T/27T) ..	1	1	-	1	1	-----	LBD, LBH, LBHS, LEAJ, LFU, LH, LH2, LHB5, LT, LTK1, LWD, LWD1, LWP1, LXE5, LXE8, LXE9, LXQ5, LXU
5	23222-ZE3-W00	GEAR, COUNTER(BANKA)(21T)	1	1	-	-	-	-----	LBHB, LHP1, LP
	23341-Z1C-960	GEAR, COUNTER(21T)	-	1	-	-	-	-----	LBP

E-26

REDUCTION

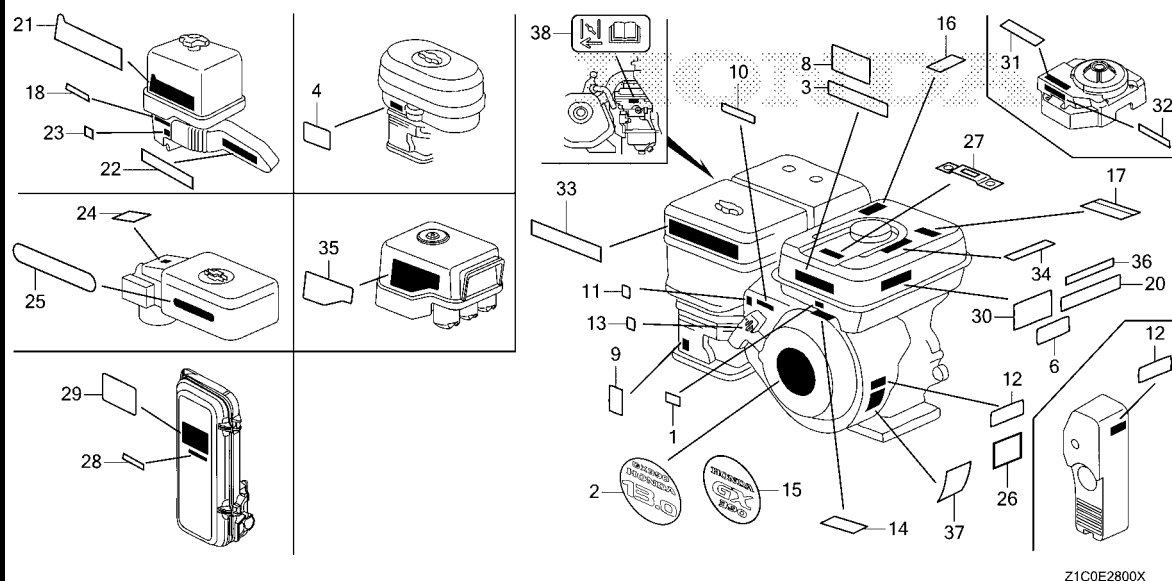


Ref. No.	Part No.	Description	Reqd. QTY					Serial No.	Parts catalogue code
			GX 390 T1	GX 390 T2	GX 390 T2X	GX 390 UT2	GX 390 UT2X		
6	23710-ZE3-610	SHAFT, P.T.O.(33T).....	1	1	-	1	1	-----	LBD, LBH, LBHB, LBHS, LBP, LEAJ, LFU, LH, LH2, LHB5, LP, LTK1, LWD, LWD1, LWP1, LXE5, LXE8, LXE9, LXQ5, LXU
	23710-ZF6-Y30	SHAFT, P.T.O.(HPI)(33T).....	1	1	-	-	-	-----	LHP1
	23710-ZK3-800	SHAFT, P.T.O.(33T).....	1	-	-	-	-	-----	LT
7	90741-889-810	KEY, 7X7X33(YELLOW)(O.S.)....	(1)	(1)	-	(1)	(1)	-----	LBD, LBH, LBHB, LBHS, LBP, LEAJ, LFU, LH, LH2, LHB5, LP, LTK1, LWD, LWD1, LWP1, LXE8, LXE9, LXU
	90741-805-000	KEY, 7X7X33.....	1	1	-	1	1	-----	LBD, LBH, LBHB, LBHS, LBP, LEAJ, LFU, LH, LH2, LHB5, LP, LTK1, LWD, LWP1, LXE8, LXE9, LXU
	90745-ZK2-800	KEY, 6.3X6.3X33.....	1	1	-	-	-	-----	LHP1, LT
8	91009-KJ1-003	BEARING, RADIAL BALL, 6202 (NTN)	1	1	-	1	1	-----	LBD, LBH, LBHB, LBHS, LBP, LEAJ, LFU, LH, LH2, LHB5, LHP1, LP, LT, LTK1, LWD, LWD1, LWP1, LXE5, LXE8, LXE9, LXQ5, LXU
9	91201-Z1D-003	OIL SEAL, 30X46X8(NOK ASIA) ..	1	-	-	1	1	-----	LBH, LBHS, LFU
	91201-890-003	OIL SEAL, 30X46X8.....	1	-	-	-	-	-----	LXE8, LXU
			1	-	-	-	-	1005318	LBHB
			1	-	-	-	-	1702851	LH, LH2, LHB5, LHP1, LP, LT, LXE9
	91201-Z1D-003	OIL SEAL, 30X46X8(NOK ASIA) ..	1	-	-	-	-	1005319	LBHB
			1	-	-	-	-	1702852	LH, LH2, LHB5, LHP1, LP, LT, LXE9
			-	1	-	-	-	-----	LBD, LBH, LBHB, LBHS, LBP, LEAJ, LH, LH2, LHB5, LHP1, LTK1, LWD, LWP1, LXE5, LXE9, LXQ5
	91201-890-003	OIL SEAL, 30X46X8.....	-	1	-	-	-	1275316	LWD1
	91201-Z1D-003	OIL SEAL, 30X46X8(NOK ASIA) ..	-	1	-	-	-	1275317	LWD1
10	94301-08140	DOWEL PIN, 8X14.....	2	2	-	2	2	-----	LBD, LBH, LBHB, LBHS, LBP, LEAJ, LFU, LH, LH2, LHB5, LHP1, LP, LT, LTK1, LWD, LWD1, LWP1, LXE5, LXE8, LXE9, LXQ5, LXU
11	95701-08040-00	BOLT, FLANGE, 8X40.....	6	6	-	6	6	-----	LBD, LBH, LBHB, LBHS, LBP, LEAJ, LFU, LH, LH2, LHB5, LHP1, LP, LT, LTK1, LWD, LWD1, LWP1, LXE5, LXE8, LXE9, LXQ5, LXU
12	96100-62060-00	BEARING, RADIAL BALL, 6206...	1	1	-	1	1	-----	LBD, LBH, LBHB, LBHS, LBP, LEAJ, LFU, LH, LH2, LHB5, LHP1, LP, LT, LTK1, LWD, LWD1, LWP1, LXE5, LXE8, LXE9, LXQ5, LXU



E-28

LABEL(1)



Ref. No. L.O.N. (Relative ref. Number) Description F.R.T.

NO INFORMATION

Ref. No.	Part No.	Description	Reqd. QTY					Serial No.	Parts catalogue code
			GX 390 T1	GX 390 T2	GX 390 T2X	GX 390 UT2	GX 390 UT2X		
1	87135-ZE2-020	LABEL, E-SPEC(15.5X27.5).....	1	-	-	-	-	LH, LHB5, LHP1, LP, LT, LXE8, LXU, PX, PXE8, PXU, QH, QHB3, QHB5, QHP1, QMH, QP, QT, QX, QXE, QXE8, QXQ4, QXU, SH, SHE, SN, SWE, SWX, SX, SXC, SXE, SXE8, SXQ4, VX, VX8, VXE, VXE8, VXU1	
2	87521-ZF6-W03	EMBLEM(GX390 HONDA 13.0).....	1	-	-	-	-	LXE8, LXU, PXE8, PXU, QA2, QA26, QAA2, QAA6, QXE8, QXQ4, QXU, SXE8, SXQ4, VX8, VXE8	
			1	-	-	-	1363842	LH, LHB5, LT, LXE9, PX, QH, QHB3, QHB5, QHP1, QMH, QP, QT, QTD, QX, QXE, QXEK, QXK, SH, SHE, SN, SWE, SWX, SX, SXC, SXE, VSP, VTE5, VX, VXE, VVK, VXU1	
3	87522-Z0T-800	LABEL, CAUTION	1	1	-	-	-	LH, LHB5, LHP1, LP, LXE8, LXU, PX, PXE8, PXU, QA2, QA26, QAA2, QAA6, QH, QHB3, QHB5, QHP1, QMH, QN, QP, QX, QXE, QXE8, QXU, SH, SHE, SN, SWE, SWX, SX, SXC, SXE, SXE8, VSEP, VX, VX8, VXE, VXE8, VXU1	
	87522-Z0T-810	LABEL, CAUTION(THAI)	1	1	-	-	-	LT, QT, QTD, QTN	
	87516-Z0S-800	MARK, OPERATOR CAUTION	1	1	-	-	-	LXE9, QXEK, QXK, VVK, VVK2	
4	87524-Z0T-800	MARK, AIR CLEANER CAUTION (OIL BATH)	1	1	-	-	-	LT, QP, QT, QTD, QTN, SWX	
	87524-Z0S-800	1	-	-	-	1473299	LH2, SWE2, SWX2	
	87524-Z0S-801	1	-	-	-	1473300	SWE2, SWX2	
			-	1	-	-	-	SWE2, SWSC, SWX2	
6	87532-ZH8-810	MARK, OIL ALERT(ENGLISH).....	1	-	-	-	-	LXE8, LXU, PX, PXE8, PXU, QA2, QA26, QAA2, QAA6, QX, QXE, QXE8, QXEK, QXK, QXU, SWX, SWX2, SX, SXC, SXE, SXE8, VX, VX8, VXE, VXE8, VVK, VVK2, VXU1	
	87532-ZB4-H50	MARK, OIL ALERT(FRENCH).....	1	-	-	-	-	QA26	
8	87516-Z0T-800	MARK, OPERATOR CAUTION	1	-	-	-	-	QXQ4, SXQ4	
	87516-Z4H-810	MARK, OPERATOR CAUTION (PICTOGRAPH)(MADE IN THAI)	(1)	-	-	-	-	1578828 QBE1, QHB1, VSP	
	87516-Z4H-000	MARK, OPERATOR CAUTION (ENGLISH)(MADE IN THAI)	1	-	-	-	-	1584525 QAPW, QBE1, QHB1	
			1	-	-	-	-	1592328 QAPW	

E-28

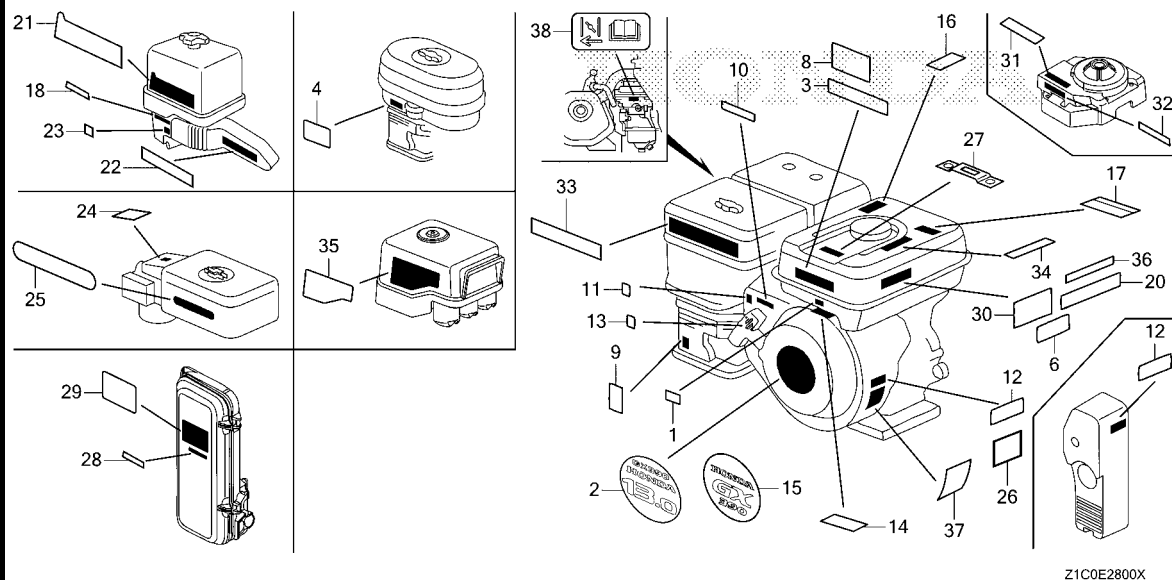
LABEL(1)

Ref. No.	Part No.	Description	Reqd. QTY					Serial No.	Parts catalogue code
			GX 390 T1	GX 390 T2	GX 390 T2X	GX 390 UT2	GX 390 UT2X		
(8)	87519-Z4H-000	MARK, OPERATOR CAUTION (PICTOGRAPH)	1	-	-	-	-	1578829 -----	QBE1,QHB1,VSP
	87516-Z4H-010	MARK, OPERATOR CAUTION (ENGLISH)(MADE IN THAI)	1	-	-	-	-	1592329 -----	QAPW
	87519-Z4H-000	MARK, OPERATOR CAUTION (PICTOGRAPH)	-	1	-	-	-	-----	QAPW
9	87528-Z0T-800	MARK, CHOKE(THAI).....	1	1	-	-	-	-----	QBE1,QHB1,VSP
	87528-ZE2-810	MARK, CHOKE(ORANGE).....	1	-	-	-	-	-----	LT, QC1, QC2, QHT, QHT1, QT, QTD, QTE, QTN LH, LH2, LHB5, LHP1, LXE8, LXU, PX, PXE8, PXU, QA2, QA26, QAA2, QAA6 QH, QHB3, QHB5, QHP1, QMH, QN, QP, QX, QXE, QXE8, QXEK, QXK, QXU, SH SHE, SN, SWE, SWE2, SWX, SWX2, SX, SXC, SXE, SXE8, VTE5, VX, VX8, VXE VXE8, VXX, VXU1
	87528-ZH7-000	MARK, CHOKE(GRAY).....	1	-	-	-	-	-----	LXE9, QAPW, QBE1, QHB1, VSP
	87528-ZF6-W40	MARK, CHOKE(BLACK).....	1	-	-	-	-	-----	QXQ4, SXQ4
	87528-Z5T-000	MARK, CHOKE.....	-	1	-	1	-	-----	LH2, LTK1, LWD, QAPW, QBE1, QH, QHB1, QHB2, QHB3, QHB5, QMAH, SM11 SMT, SWE2, SWX, SX, SXC, VSP, VTE5, VXU1
	87528-Z4M-000	-	1	-	1	-	-----	QC2, QC95, QCWE, QPW, SC15, SC5, SCC, SCM5, SEM, SMM, STCH, SWSC
	87528-Z5T-000	-	1	-	-	-	2209655 -----	PKT5, QAPW/A, QBE1/A, QHB1/A, QHB2/A, SHMV, SWD4, VSP/A
		-	1	-	-	-	2209855 -----	LEAJ, LH, LHB5, LHP1, LWP1, LXE5, LXE9, LXQ5, PX, PXE5, PXU5, QA25 QAA5, QHP1, QHTN, QKA5, QMH, QN, QNR5, QP, QX, QX5, QXA5, QXB5, QXE QXE5, QXEK, QXK, QXQ5, QXU5, SH, SJG, SME5, SMEJ, SWX2, SX5, SXE5 SXQ5, VSD5, VWT5, VX, VXB5, VXE, VXX
	87528-Z4M-000	-	1	-	-	-	2209656 -----	PKT5, QAPW/A, QBE1/A, QHB1/A, QHB2/A, SHMV, SWD4, VSP/A
		-	1	-	-	-	2209856 -----	LEAJ, LH, LHB5, LHP1, LWP1, LXE5, LXE9, LXQ5, PX, PXE5, PXU5, QA25 QAA5, QHP1, QHTN, QKA5, QMH, QN, QNR5, QP, QX, QX5, QXA5, QXB5, QXE QXE5, QXEK, QXK, QXQ5, QXU5, SH, SJG, SME5, SMEJ, SWX2, SX5, SXE5 SXQ5, VSD5, VWT5, VX, VXB5, VXE, VXX
	87528-Z5T-000	-	-	1	-	-	-----	3456308 QMAH/A
	87528-Z4M-000	-	-	-	1	-	3456309 -----	QMAH/A
		-	-	-	1	-	-----	QMAH, SCC
10	87532-ZH7-000	MARK, THROTTLE INDICATION....	1	1	1	1	1	-----	LFU, LXE5, LXE9, LXQ5, PXE5, PXU5, QA25, QAA5, QAPW, QAPW/A, QBE1 QBE1/A, QC95, QHB1, QHB1/A, QK45, QKA5, QMAH, QMAH/A, QNR5, QX5 QXA5, QXB5, QXE5, QXQ5, QXU5, SC15, SC5, SCC, SCM5, SHMV, SME5, SWD4 SX5, SXE5, SXQ5, VXB5
	87532-ZH8-W40	1	-	-	-	-	-----	QXQ4, SXQ4
11	87135-ZE2-020	LABEL, E-SPEC(15.5X27.5).....	1	-	-	-	-	-----	VTE5
12	87532-ZH8-810	MARK, OIL ALERT(ENGLISH).....	1	-	-	-	-	-----	VTE5, VXX2
	87114-ZH7-000	LABEL, WARNING (NOT CERTIFIED FOR SALE)	-	1	-	-	-	-----	QP, QTD, QZSD, QZSL, SWE2, SWX, SWX2, SZSK, VZX
	87532-ZH8-810	MARK, OIL ALERT(ENGLISH).....	-	1	-	-	-	-----	VXEH, VXH
13	87114-ZH7-821	LABEL, WARNING (NOT CERTIFIED FOR SALE)	1	1	1	-	-	-----	QAPW, QAPW/A
	87114-ZH7-840	1	1	-	-	-	-----	QBE1, QBE1/A, QHB1, QHB1/A, QHB2, QHB2/A, QXG, SWD4, VPXP, VPXP/A VSP, VSP/A, VXG
	87114-ZH7-000	1	-	-	-	-	-----	ES2, ES3, LH2, LXE9, QN, QTD, QTN, QXEK, QXK, SWE2, SWX2, VMQ3, VMT2 VMT3, VS4, VS6, VSB4, VSB5, VXX, VXX2
		-	1	-	-	-	-----	EDS1, EDS5, EDT1, EDT5, ES2, ES5, EWS1, EWS3, EWS4, EWS5, EZD5, EZDS EZS4, EZS5, LEAJ, LH, LH2, LHB5, LHP1, LTK1, LWD, LWD1, LWP1, LXE5 LXE9, LXQ5, PKT5, PX, PXE5, PXU5, QA25, QAA5, QC1, QC2, QC55, QC95 QCT, QCWE, QH, QHB3, QHB5, QHP1, QHT, QHT1, QHTN, QK45, QKA5, QMH, QN QNG, QNR5, QTE, QTG, QTN, QX, QX5, QXA5, QXB5, QXE, QXE5, QXEK, QXK QXQ5, QXU5, SC15, SC5, SCM5, SEM, SH, SHMV, SJG, SM11, SME5, SMEJ SMM, SMT, STCH, SWA5, SWD, SWDL, SWSC, SX, SX5, SXC, SXE5, SXX SXX1, SXQ5, VEP5, VMQ3, VMT, VMT2, VMT3, VPX5, VS15, VS3, VS4, VS5 VS6, VSB3, VSB4, VSD5, VSEP, VTE5, VWC5, VWE5, VWT5, VX, VXB5, VXE VXEH, VXH, VXX, VXU1, VZKK, VZS5, VZS6



E-28

LABEL(1)



Ref. No.	Part No.	Description	Reqd. QTY					Serial No.	Parts catalogue code
			GX 390 T1	GX 390 T2	GX 390 T2X	GX 390 UT2	GX 390 UT2X		
13)	87114-ZH7-821	LABEL, WARNING (NOT CERTIFIED FOR SALE)	-	1	-	-	-	1805104	QPW
	87114-ZH7-860	-	1	-	-	-	1805105	QPW
14	87516-Z0S-810	MARK, OPERATOR CAUTION	1	1	-	-	-	-	ES2, LH2, SWE2, SWX2, VMT2
	87522-Z0T-800	LABEL, CAUTION	-	1	-	-	-	-	VXEH, VXH
15	87521-ZF6-W04	EMBLEM(HONDA GX390)	1	-	-	-	-	-	LH2, QAPW, QBE1, QHB1, QN, QTN, SWE2, SWX2, VMQ3, VMT2, VMT3, VXK2
			1	-	-	-	-	1363843	LH, LHB5, LT, LXE9, PX, QH, QHB3, QHB5, QHP1, QMH, QP, QT, QTD, QX, QXE, QXEK, QXK, SH, SHE, SN, SWE, SWX, SX, SXC, SXE, VSP, VTE5, VX, VXE, VXK, VXU1
	87521-Z5T-000	-	1	1	1	1	-	EDS1, EDS5, EDT1, EDT5, LEAJ, LFU, LH, LH2, LHB5, LXE5, LXE9, LXQ5, PKT5, PX, PXE5, PXU5, QA25, QAA5, QAPW, QAPW/A, QBE1, QBE1/A, QC1, QC2, QC55, QC95, QCT, QCWE, QH, QHB1, QHB1/A, QHB2, QHB2/A, QHB3, QHB5, QHP1, QHT, QHT1, QHTN, QK45, QKA5, QMAH, QMAH/A, QMH, QN, QNG, QNR5, QP, QPW, QTD, QTE, QTG, QTN, QX, QX5, QXA5, QXB5, QXE, QXE5, QXEK, QXG, QXK, QXQ5, QXU5, SC15, SC5, SCC, SCM5, SEM, SH, SHMV, SJG, SM11, SMEJ, SMM, STCH, SWA5, SWD4, SWDH, SWDL, SWE2, SWSC, SWX, SWX2, SX, SX5, SXC, SXE5, SXQ5, VEP5, VMQ3, VMT, VMT2, VMT3, VPX5, VPXP, VPXP/A, VS15, VSD5, VSEP, VSP, VSP/A, VTE5, VMC5, VWÉ5, VMT5, VX, VXB5, VXE, VXEH, VXG, VXH, VXK, VXU1
16	87539-Z0J-000	MARK, EX. CAUTION(ENGLISH)	1	-	-	-	-	1591433	QAPW
			-	1	1	-	-	-	PXE5, PXU5, QA25, QAA5, QAPW, QAPW/A, QC95, QNR5, QPW, QX5, QXU5, SC15, SCM5
	87526-ZH8-000	MARK B, COMBINATION(JAPANESE)	-	1	-	-	-	-	LEAJ, LTK1, LWD, LWP1, QZSD, SJG, SM11, SMEJ, SWDH, SWDL, SZSK
17	87532-ZH8-810	MARK, OIL ALERT(ENGLISH)	-	1	-	-	-	-	PX, QCWE, QX, QXE, QXEK, QXK, STCH, SWSC, SWX, SWX2, SX, SXC, VX, VXE, VXK, VXU1
18	87528-Z2E-800	MARK, CHOKE	-	1	-	-	-	-	EZD5, QZSD, SZSK, VZKK, VZX
20	87520-ZH8-000	MARK A, COMBINATION(JAPANESE)	-	1	-	-	-	-	LEAJ, LTK1, LWD, LWP1, QZSD, SJG, SM11, SMEJ, SWDH, SWDL, SZSK
	87522-Z0T-810	LABEL, CAUTION(THAI)	-	1	-	-	-	-	QC1, QCT, QHT, QHT1, QTE



E-28

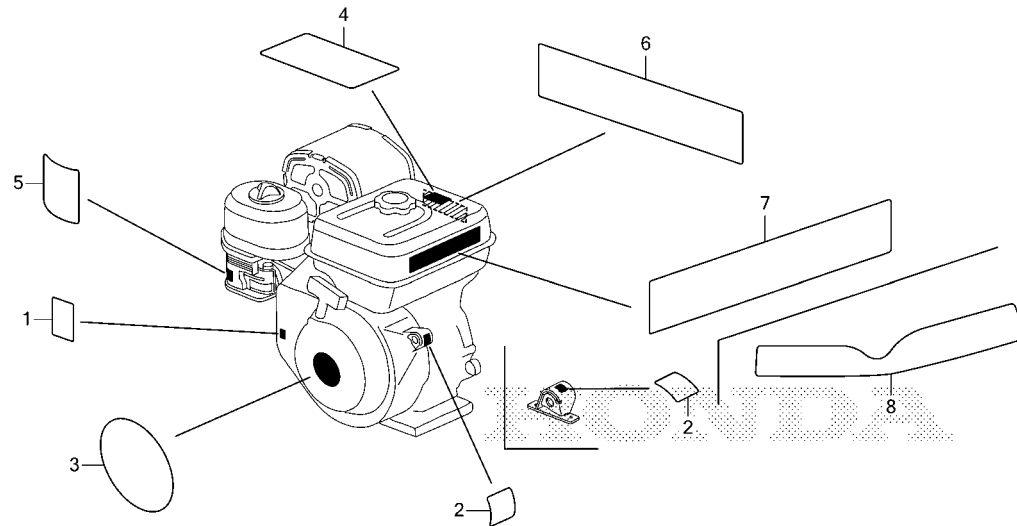
LABEL(1)

Ref. No.	Part No.	Description	Reqd. QTY					Serial No.	Parts catalogue code
			GX 390 T1	GX 390 T2	GX 390 T2X	GX 390 UT2	GX 390 UT2X		
20)	87522-Z0T-800	LABEL, CAUTION	-	1	-	-	-	QC2, QCWE, QHTN, VZX	
	87516-Z0S-810	MARK, OPERATOR CAUTION	-	1	-	-	-	STCH, SWSC	
	87516-Z0S-800	-	1	-	-	-	VZKK	
21	87602-Z5T-W00	MARK, SALES POINT	-	1	-	-	-	QZSD, SZSK, VZKK, VZX	
22	87531-Z5T-W00	MARK(HONDA)	-	1	-	-	-	QZSD, SZSK, VZKK, VZX	
23	87565-Z5T-W00	MARK, FUEL	-	1	-	-	-	QZSD, SZSK, VZKK, VZX	
24	87534-ZE1-841	LABEL, AIR CLEANER CAUTION	-	1	-	-	-	LWD	
25	87535-ZE1-841	MARK, AIR CLEANER SALES POINT	-	1	-	-	-	LWD, QCT	
26	87594-ZB4-A00	MARK, OIL CAUTION	-	1	-	-	-	EDS1, EDS5, EDT1, EDT5	
27	87565-ZE2-000	MARK, FUEL INDICATION (JAPANESE)	-	1	-	-	1271915 1388317	LTK1, LWD, LWD1, LWP1, SJG	
28	87528-Z2E-800	MARK, CHOKE	-	1	-	-	-	QZSL	
29	87602-ZBH-W00	MARK, SALES POINT	-	1	-	-	-	EZD5, QZSL	
30	87516-Z4H-010	MARK, OPERATOR CAUTION (ENGLISH)(MADE IN THAI)	-	1	-	-	-	EZD5, PXE5, PXU5, QA25, QAA5, QAPW/A, QC95, QNR5, QPW, QX5, QXU5 SCM5	
	87519-Z4H-000	MARK, OPERATOR CAUTION (PICTOGRAPH)	-	1	-	-	-	LXE5, LXQ5, QBE1/A, QC55, QHB1/A, QHB2, QHB2/A, QK45, QKA5, QXA5 QXB5, QXE5, QXQ5, SC5, SHMV, SME5, SWA5, SWD4, SX5, SXE5, SXQ5, VS15 VSD5, VSP/A, VWT5, VXB5	
	87516-Z4H-010	MARK, OPERATOR CAUTION (ENGLISH)(MADE IN THAI)	-	-	1	-	-		
31	87522-Z0V-880	LABEL, CAUTION	-	1	-	-	-	QNG	
	87522-Z0V-890	LABEL, CAUTION(THAI)	-	1	-	-	-	QTG	
32	87602-Z0V-890	MARK, SALES POINT	-	1	-	-	-	QNG, QTG, QXG, VXG	
33	87602-Z1C-790	MARK, SALES POINT	-	1	-	-	-	QPW	
34	87532-ZK7-800	MARK, OIL ALERT	-	1	-	-	-	QCWE	
35	87602-Z1C-780	MARK, SALES POINT	-	1	-	1	1	QC1, QC2, QC55, QC95, QCWE, SC15, SC5, SCC, SCM5, SEM, SMM, STCH	
36	87522-ZK7-800	LABEL, CAUTION(BRAZIL)	-	1	-	-	-	QCWE	
37	87516-Z0T-800	MARK, OPERATOR CAUTION	-	1	-	-	-	QXG, VXG	
38	87528-Z5T-W00	MARK, CHOKE	-	1	-	-	-	EZD5, EZDS, EZS4, EZS5, QZSD, QZSL, SZSK, VZKK, VZS5, VZS6, VZX	



E-28-1

LABEL(2)



Z1C0E2801B

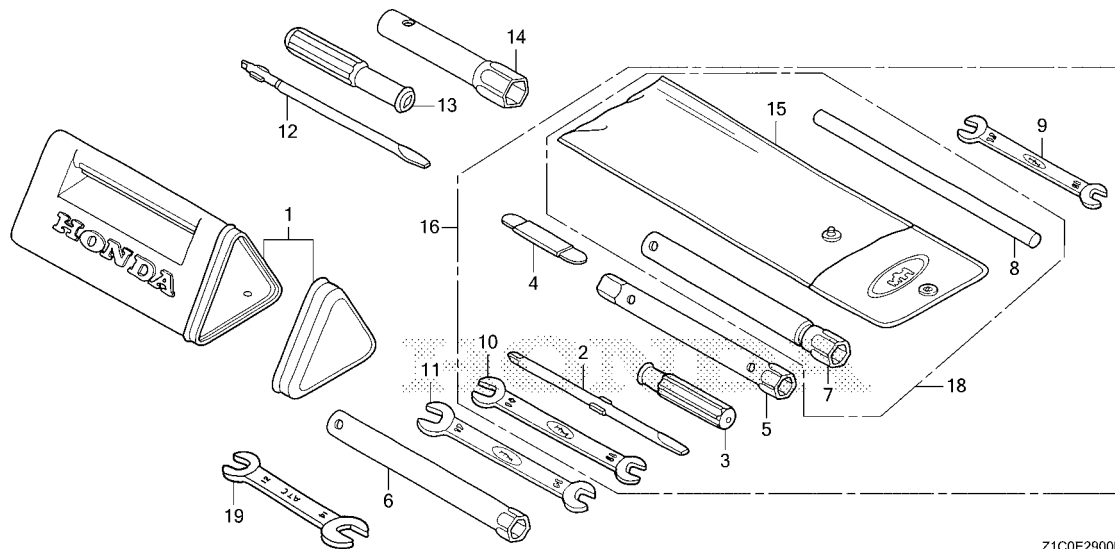
Ref. No. L.O.N. (Relative ref. Number) Description F.R.T.

NO INFORMATION

Ref. No.	Part No.	Description	Reqd. QTY					Serial No.	Parts catalogue code
			GX 390 T1	GX 390 T2	GX 390 T2X	GX 390 UT2	GX 390 UT2X		
1	87114-ZH7-000	LABEL, WARNING (NOT CERTIFIED FOR SALE)	1	1	-	-	-	LBD, LBH, LBHB, LBHS, LBP, QBD, QBH, QBHS, QBHZ, QBL, QBL S, QBP, QBS QBS1, QBT	
2	87124-Z0T-800	MARK, STOP SWITCH	1	1	-	-	-	LBD, LBH, LBHB, LBHS, LBP, QBD, QBH, QBHS, QBHZ, QBL, QBL S, QBP, QBS QBS1, QBT	
3	87521-Z1C-820	EMBLEM	1	1	-	-	-	LBH, LBHB, LBHS, QBH, QBHS, QBHZ	
	87521-Z1C-810	1	1	-	-	-	QBL S, QBS, QBS1	
	87521-Z1C-950	EMBLEM(HONDA GX390).....	-	1	-	-	-	LBD, LBP, QBD, QBL, QBP, QBT	
4	87522-Z0T-820	LABEL, CAUTION	1	1	-	-	-	LBD, LBH, LBHB, LBHS, LBP, QBD, QBH, QBHS, QBHZ, QBL, QBL S, QBP, QBS QBS1, QBT	
5	87528-ZE2-810	MARK, CHOKE(ORANGE).....	1	1	-	-	-	LBD, LBH, LBHB, LBHS, LBP, QBD, QBH, QBHS, QBHZ, QBL, QBL S, QBP, QBS QBS1, QBT	
6	87531-Z0T-800	MARK, HONDA	1	1	-	-	-	LBH, LBHB, LBHS, QBH, QBHS, QBHZ, QBL S, QBS, QBS1	
	87531-Z1C-950	-	1	-	-	-	LBD, QBD, QBL, QBT	
7	87602-Z0T-800	MARK, SALES POINT	1	-	-	-	-	LBH, LBHB, LBHS, QBH, QBHS	
	87602-Z1C-800	-	1	-	-	-	LBH, LBHB, LBHS, QBH, QBHS, QBHZ	
8	87602-Z1C-950	MARK, SALES POINT	-	1	-	-	-	LBD, LBP, QBD, QBL, QBP, QBT	

E-29

TOOL(1)



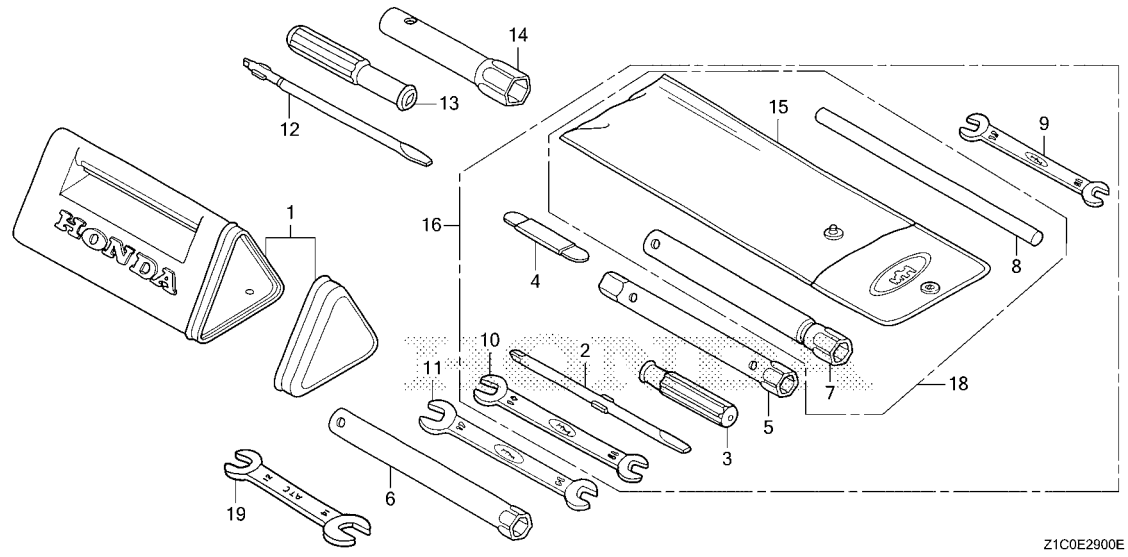
Ref. No. L.O.N. (Relative ref. Number) Description F.R.T.
 NO INFORMATION

Ref. No.	Part No.	Description	Reqd. QTY					Serial No.	Parts catalogue code
			GX 390 T1	GX 390 T2	GX 390 T2X	GX 390 UT2	GX 390 UT2X		
1	83501-ZF1-000	BOX, TOOL	1	1	-	-	-	LT, QHB3, QN, QNG, QT, QTD, SWX, SWX2, VSB3, VSB4, VSB5	
2	89102-538-000	DRIVER, SCREW(NO.2 + -)	1	1	-	-	-	LT, QHB3, QN, QNG, QT, QTD, SWX, SWX2, VSB3, VSB4, VSB5	
3	89103-538-000	GRIP	1	1	-	-	-	LT, QHB3, QN, QNG, QT, QTD, SWX, SWX2, VSB3, VSB4, VSB5	
4	89210-ZF1-000	GAUGE ASSY., THICKNESS	1	1	-	-	-	LT, QHB3, QN, QNG, QT, QTD, SWSC, SWX, SWX2, VSB3, VSB4, VSB5	
5	89216-ZF1-000	WRENCH, BOX	1	1	-	-	-	LT, QHB3, QN, QNG, QT, QTD, SWX, SWX2, VSB3, VSB4, VSB5	
6	89216-ZB4-000	WRENCH, PLUG	1	1	-	-	-	EDS1, EDS5, EDT1, EDT5, ES2, ES3, ES5, EWS1, EWS3, EWS4, EWS5, EZD5 QZSD, QZSL, VMQ3, VMT, VMT2, VMT3, VS3, VS4, VS5, VS6, VZS6	
	89216-Z0T-800	WRENCH, SPARK PLUG	(1)	(1)	-	-	-	LP, QNR5	
			1	-	1	1	1	LBH, LBHB, LBHS, LFU, LHP1, LT, QA2, QA26, QAA2, QAA6, QAPW, QBH QBHS, QBLS, QBS, QHB3, QHP1, QMAH, QMAH/A, QMH, QN, QP, QT, QTD, QTN SCC, SWX, SWX2	
			-	1	-	-	-	LBD, LBH, LBHB, LBHS, LBP, LEAJ, LHP1, LWD, PKT5, QA25, QAA5, QAPW QAPW/A, QBD, QBH, QBHS, QBL, QBP, QBT, QC1, QC2, QCT, QCWE, QHB3 QHP1, QHT, QHT1, QHTN, QMH, QN, QNG, QP, QTD, QTE, QTG, QTN, SC15, SC5 SCM5, SEM, SJG, SM11, SMEJ, SMM, STCH, SWD4, SWDH, SWDL, SWSC, SWX SWX2, SX5, SZSK, VSB3, VSB4	
	89216-ZB4-000	WRENCH, PLUG	-	1	-	-	-	1135679 EZDS, EZS4, EZS5, VZS5	
	89218-ZE1-000	WRENCH COMP., SPARK PLUG	1	1	-	-	-	SN, VSB3, VSB4, VSB5	
	99005-01000	BAR A, HANDLE	1	1	-	-	-	LHB5, QHB5	
	89219-805-000	HANDLE, BOX WRENCH	1	-	-	1	1	LBH, LBHB, LBHS, LFU, LHP1, LT, QBH, QBHS, QBLS, QBS, QHB3, QHP1 QMAH, QMAH/A, QMH, QN, QP, QT, QTD, QTN, SCC, SN, SWX, SWX2, VSB4 VSB5	
			-	1	-	-	-	LBD, LBH, LBHB, LBHS, LBP, LHP1, LWD, QBD, QBH, QBHS, QBL, QBP, QBT QC1, QC2, QCT, QCWE, QHB3, QHP1, QHT, QHT1, QHTN, QMH, QN, QNG, QP QTD, QTE, QTG, QTN, SC15, SC5, SEM, SM11, SMEJ, SMM, STCH, SWD4, SWDH SWDL, SWSC, SWX, SWX2, SX5, SZSK, VSB3, VSB4	
			-	1	-	-	1469643	QZSD	
			-	1	-	-	1492611	QZSL	



E-29

TOOL(1)



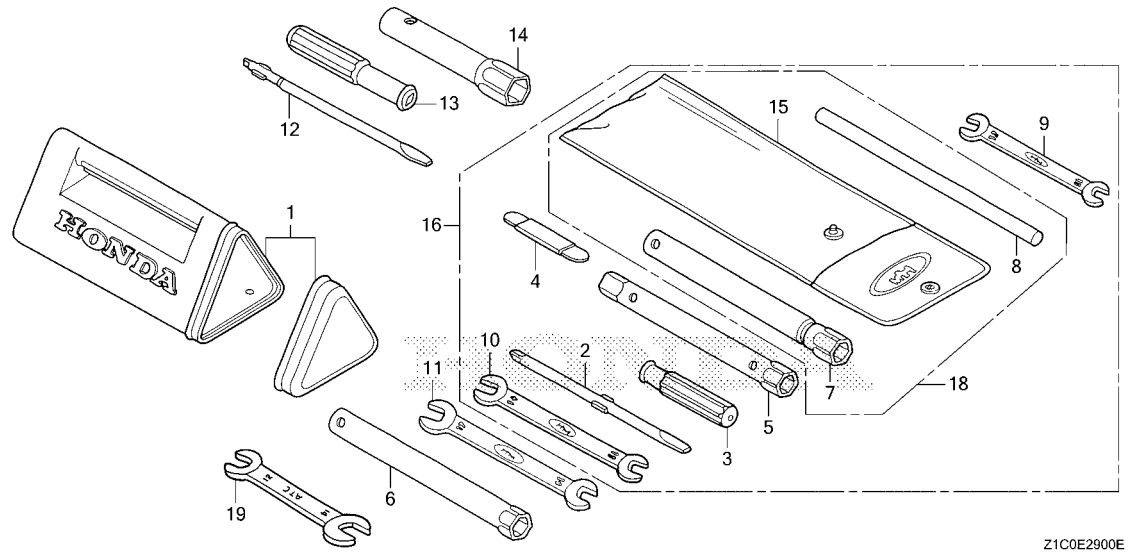
Z1C0E2900E

Ref. No.	Part No.	Description	Reqd. QTY					Serial No.	Parts catalogue code
			GX 390 T1	GX 390 T2	GX 390 T2X	GX 390 UT2	GX 390 UT2X		
9	89212-KWW-601	SPANNER, 10X12	1	-	-	-	-	LBH, LBHB, LBHS, LHP1, LT, QBH, QBHS, QBL5, QBS, QHB3, QHP1, QMH, QN, QP, QT, QTD, QTN, SWX, SWX2	
	99001-10120		1	-	-	-	-	LBHB, LHB5, LHP1, LT, QBH, QBHS, QBL5, QBS, QHB3, QHB5, QHP1, QMH, QN, QP, QT, QTD, QTN, SWX, SWX2, VSB4, VSB5	
	89212-KWW-601		1	-	-	-	1000009	LHB5, QHB5	
			-	1	-	-	-	LBD, LBH, LBHB, LBHS, LBP, LHP1, LWD, QBD, QBH, QBHS, QBL, QBP, QBT, QC1, QC2, QCT, QCWE, QHB3, QHP1, QHT, QHT1, QHTN, QMH, QN, QNG, QP, QTD, QTE, QTG, QTN, SWSC, SWX, SWX2, VSB3, VSB4	
	99001-10120		-	1	-	-	-	LHB5, LHP1, QHB3, QHB5, QHP1, QMH, QN, QP, QTD, SWX, SWX2, VSB3, VSB4	
	89212-KWW-601		-	1	-	-	1001641	LHB5, QHB5	
10	99001-10140	SPANNER, 10X14	1	1	-	-	-	LT, QHB3, QN, QT, QTD, SWX, SWX2, VSB3, VSB4, VSB5	
11	99001-14170	SPANNER, 14X17	1	1	-	-	-	LHP1, LWD, QHP1, QMH, QP	
	89214-KWW-601		1	-	-	-	-	LHP1, LT, QHB3, QHP1, QMH, QN, QP, QT, QTD, SWX, SWX2	
			-	1	-	-	-	LHP1, QHB3, QHP1, QMH, QN, QP, QTD, SWX, SWX2, VSB3, VSB4	
12	99003-30000	DRIVER 3, MINUS SCREW(NO.2)	1	1	-	-	-	LHB5, QHB5	
13	99003-50000	GRIP, SCREW DRIVER	1	1	-	-	-	LHB5, QHB5	
14	99004-21003	WRENCH, BOX(P21)	1	1	-	-	-	LHB5, QHB5	
	89216-Z0T-000	WRENCH, BOX	1	-	-	-	1000009	LHB5, QHB5	
			-	1	-	-	1001641	LHB5, QHB5	
15	99008-02000	BAG, TOOL, 200MM	1	1	-	-	-	LHB5, QHB5	
	99008-02300	BAG, TOOL, 230MM	1	-	-	-	-	LBH, LBHB, LBHS, LHP1, LT, QBH, QBHS, QBL5, QBS, QHB3, QHP1, QMH, QN, QP, QT, QTD, QTN, SN, SWX, SWX2, VSB4, VSB5	
	89101-Z0T-800		1	-	-	-	-	LBH, LBHB, LBHS, QBH, QBHS, QBL5, QBS, QTN, SN	
	(LOCAL PROCUREMENT)		-	1	-	-	-	LBD, LBP, QBD, QBL, QBP, QBT, QC1, QC2, QCT, QCWE, QHT, QHT1, QHTN, QTE, QTG, SWSC	
	99008-02300		-	1	-	-	-	LBH, LBHB, LBHS, LHP1, LWD, QBH, QBHS, QHB3, QHP1, QHT, QMH, QN, QP, QTD, QTN, SWSC, SWX, SWX2, VSB3, VSB4	



E-29

TOOL(1)



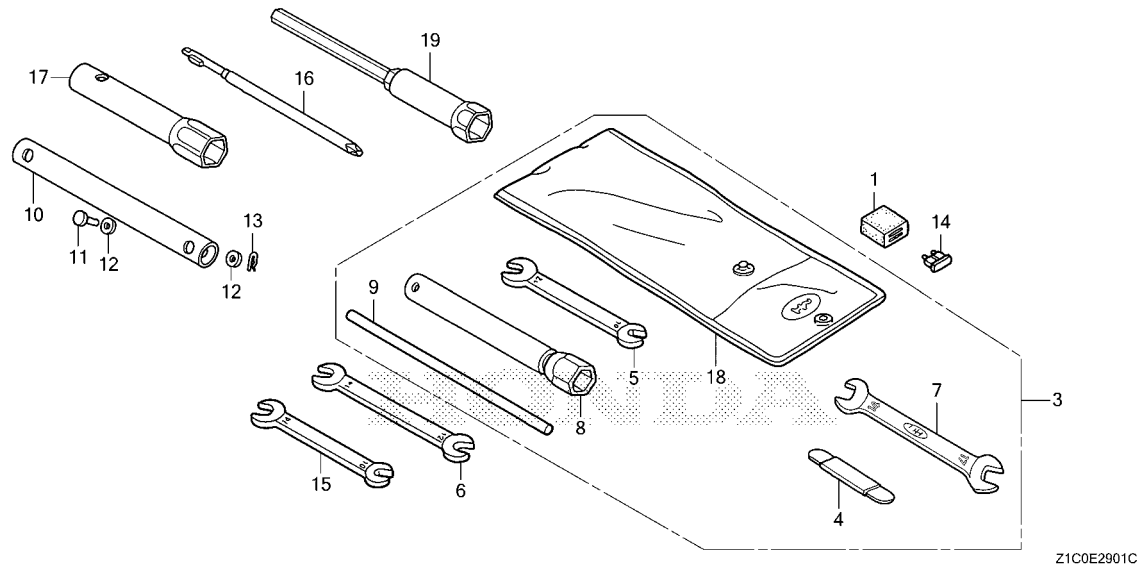
Z1C0E2900E

Ref. No.	Part No.	Description	Reqd. QTY					Serial No.	Parts catalogue code
			GX 390 T1	GX 390 T2	GX 390 T2X	GX 390 UT2	GX 390 UT2X		
15)	89101-Z0T-800	BAG, TOOL, 230MM..... (LOCAL PROCUREMENT)	-	1	-	-	-	----- QNG ----- 1346310 ----- 1414628	----- LBH, LBHB, LBHS, QBH, QBHS, QTN ----- LHP1, QHP1, QMH, QP
16	89001-ZF1-000	BAG SET, TOOL.....	1	1	-	-	-	----- VSB3, VSB4, VSB5	
18	89000-ZH7-T00	TOOL KIT(###).....	1	-	-	-	-	----- SN	
19	89213-KWW-601	SPANNER, 12X14(ATC).....	-	1	-	-	-	----- QC2, QHTN, QNG, SWSC	



E-29-1

TOOL(2)



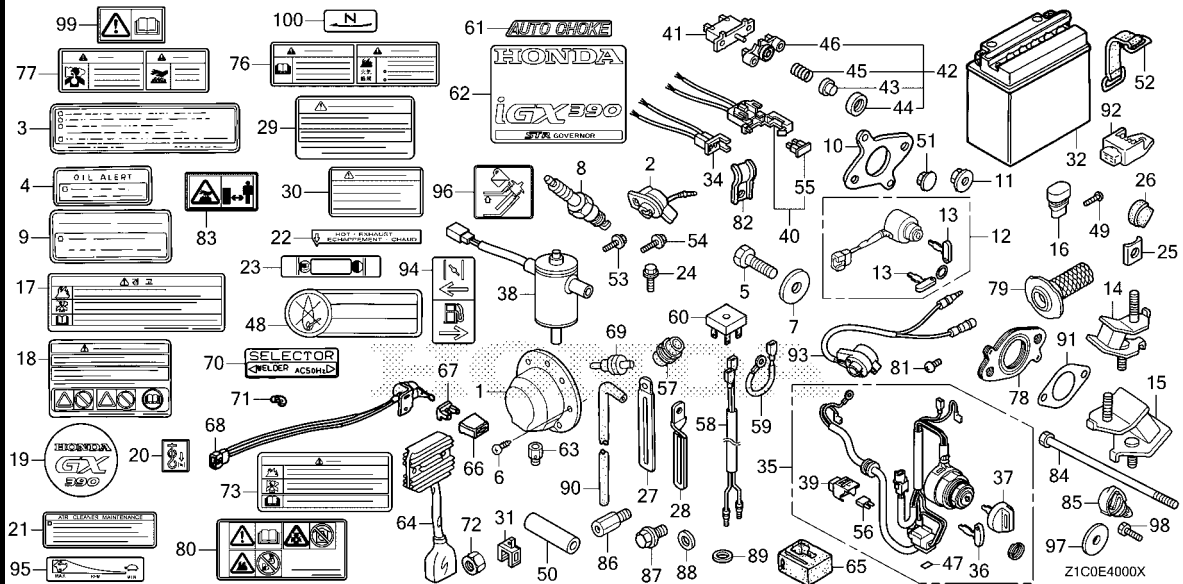
Ref. No. L.O.N. (Relative ref. Number) Description F.R.T.

NO INFORMATION

Ref. No.	Part No.	Description	Reqd. QTY					Serial No.	Parts catalogue code
			GX 390 T1	GX 390 T2	GX 390 T2X	GX 390 UT2	GX 390 UT2X		
1	38306-KK4-000	SUSPENSION, WINKER RELAY (MITSUBA)	-	1	-	-	-	-	LWP1
3	89000-Z0T-800	TOOL KIT	-	1	-	-	-	-	LTK1
4	89210-ZF1-000	GAUGE ASSY., THICKNESS	-	1	-	-	-	-	LTK1
5	89212-KWW-601	SPANNER, 10X12	-	1	-	-	-	-	LTK1, QBHZ, QBLS, QBS, QBS1
	99001-10120		-	1	-	-	-	-	LWP1
	89212-KWW-601		-	1	-	-	1388318	-	LWP1
6	89213-KWW-601	SPANNER, 12X14(ATC)	-	1	-	-	-	-	LWP1
	89216-KB7-000	SPANNER, 12X14	-	1	-	-	-	-	LWP1
7	89214-KWW-601	SPANNER, 14X17	-	1	-	-	-	-	LTK1
8	89216-Z0T-800	WRENCH, SPARK PLUG	-	1	-	-	-	-	LTK1, QBHZ
	89218-ZE1-000	WRENCH COMP., SPARK PLUG	-	1	-	-	-	-	LWP1
9	89219-805-000	HANDLE, BOX WRENCH	-	1	-	-	-	-	LTK1, LWP1, QBHZ
10	89220-ZE3-L60	PIPE, BOX WRENCH EXTENSION	-	1	-	-	-	-	LTK1
11	90752-752-000	PIN, FLAT, 6X27.5	-	1	-	-	-	-	LTK1
12	94101-06000	WASHER, PLAIN, 6MM	-	2	-	-	-	-	LTK1
13	94251-06000	PIN, LOCK, 6MM	-	1	-	-	-	-	LTK1
14	98200-32000	FUSE, BLADE(20A)	-	2	-	-	-	-	LWP1
15	99001-10140	SPANNER, 10X14	-	1	-	-	-	-	LWP1
	89211-KWW-640		-	1	-	-	1388318	-	LWP1
16	99003-20000	DRIVER 2, PLUS SCREW(NO.3)	-	1	-	-	-	-	LTK1
17	99004-21003	WRENCH, BOX(P21)	-	1	-	-	-	-	LTK1
18	99008-02300	BAG, TOOL, 230MM	-	1	-	-	-	-	LTK1, LWP1, QBLS, QBS, QBS1
	89101-Z0T-800		-	1	-	-	-	-	QBHZ
19	89216-Z1C-800	WRENCH, BOX	-	1	-	-	-	-	QBLS, QBS, QBS1

E-40

OTHER PARTS(1)



Ref. No.	Part No.	Description	Reqd. QTY					Serial No.	Parts catalogue code
			GX 390 T1	GX 390 T2	GX 390 T2X	GX 390 UT2	GX 390 UT2X		
14	68325-ZC2-000	RUBBER, BOTTOM	2	2	-	-	-	ES2, ES3, ES5, EWS1, EWS3, EWS4, EWS5, EZS4, EZS5, QZSD, QZSL, VS3 VS4, VS5, VS6, VSB3, VSB4, VSB5, VZS5, VZS6	
15	68325-899-000	RUBBER, BOTTOM	2	2	-	-	-	ES2, ES3, ES5, EWS1, EWS3, EWS4, EWS5, EZS4, EZS5, QZSD, QZSL, VS3 VS4, VS5, VS6, VSB3, VSB4, VSB5, VZS5, VZS6	
16	76122-952-000	STOPPER, DISCHARGE GUARD	4	4	-	-	-	VS3, VS4, VS5, VS6, VZS5, VZS6	
17	87516-Z0S-800	MARK, OPERATOR CAUTION	1	1	-	-	-	VS4, VS6, VSB4, VSB5, VZS6	
18	87516-Z4H-800	MARK, OPERATOR CAUTION(FRENCH) (MADE IN THAI)	1	-	-	-	-	1592328 QAPW	
19	87521-ZF6-W04	EMBLEM(HONDA GX390)	1	1	-	-	-	ES2, ES3, VS4, VS6, VSB3, VSB4, VSB5	
	87521-Z5T-000		-	1	-	-	-	ES5, EWS1, EWS3, EWS4, EWS5, VS3, VS5	
20	87528-898-620	MARK, CHOKE	1	1	-	-	-	EDS1, EDS5, EDT1, EDT5, ES2, ES3, ES5, EWS1, EWS3, EWS4, EWS5, VEP5 VMQ3, VMT, VMT2, VMT3, VPX5, VS15, VS3, VS4, VS5, VS6, VSB3, VSB4 VSB5, VWC5, VWE5	
21	87533-ZC0-630	MARK, AIR CLEANER(ENGLISH)	1	1	-	-	-	EDS1, EDS5, EDT1, EDT5, ES2, ES3, ES5, EWS1, EWS3, EWS4, EWS5, EZD5 QZSL, VEP5, VMQ3, VMT, VMT2, VMT3, VPX5, VPXP, VPXP/A, VS15, VS3 VS4, VS5, VS6, VSB3, VSB4, VSB5, VWC5, VWE5	
			-	1	-	-	-	1135679 EZDS, EZS4, EZS5, VZS5	
22	87539-898-620	MARK, EX. CAUTION (ENGLISH/FRENCH)	1	1	-	-	-	EDS1, EDS5, EDT1, EDT5, ES2, ES3, ES5, EWS1, EWS3, EWS4, EWS5, EZD5 VMQ3, VMT, VMT2, VMT3, VS3, VS4, VS5, VS6, VSB3, VSB4, VSB5, VWC5 VWE5	
			-	1	-	-	-	1135679 EZDS, EZS4, EZS5, VZS5	
23	87565-ZB4-A00	PLATE, FUEL INDICATION	1	1	-	-	-	VMQ3, VMT, VMT2, VMT3	
24	90013-883-000	BOLT, FLANGE, 6X12(CT200)	1	1	-	-	-	SMTPT, SZSK, VMT, VMT2, VMT3	
	95701-06012-00	BOLT, FLANGE, 6X12	-	7	-	-	-	EDS1, EDS5, EDT1, EDT5, EZD5	
	90013-883-000	BOLT, FLANGE, 6X12(CT200)	-	2	-	-	-	SC15, SWD4	
	95701-06012-00	BOLT, FLANGE, 6X12	-	7	-	-	-	1135679 EZDS	

E-40

OTHER PARTS(1)

Ref. No.	Part No.	Description	Reqd. QTY					Serial No.	Parts catalogue code
			GX 390 T1	GX 390 T2	GX 390 T2X	GX 390 UT2	GX 390 UT2X		
24)	90013-883-000	BOLT, FLANGE, 6X12(CT200).....	-	1	-	-	-	2270916 ----- SWDH	
			-	1	-	-	-	2308226 ----- SWDL	
25	90501-898-000	WASHER, FRAME JOINT.....	8	8	-	-	-	----- VS5, VS6, VZS5	
26	90855-ZB4-000	GROMMET, CRANKCASE.....	1	1	-	-	-	----- VMQ3, VMT, VMT2, VMT3	
27	91406-166-000	CLIP, WIRE.....	1	1	-	-	-	----- VMT, VMT2, VMT3	
28	91406-729-000	CLIP, HEAD.....	1	1	-	-	-	----- ES5, EWS4, EWS5, EZS4, EZS5, VSB3, VSB5	
29	87516-Z4H-801	MARK, OPERATOR CAUTION(FRENCH) (MADE IN THAI)	1	-	-	-	-	1592329 ----- QAPW	
			-	1	1	1	1	----- EDS5, EDT5, EZD5, LXE5, LXQ5, PXE5, PXU5, QA25, QAA5, QAPW, QAPW/A, QC55, QC95, QK45, QKA5, QMAH, QMAH/A, QNR5, QPW, QX5, QXA5, QXB5, QXE5, QXQ5, QXU5, SC15, SC5, SCC, SCM5, SHMV, SME5, SWA5, SX5, SXE5, SXQ5, VEP5, VPX5, VS15, VSD5, VMC5, VWE5, VWT5, VXB5	
	87516-Z4H-010	MARK, OPERATOR CAUTION (ENGLISH)(MADE IN THAI)	-	1	-	1	1	----- EDS5, EDT5, LFU, LXE5, LXQ5, QC55, QK45, QKA5, QMAH, QMAH/A, QXA5, QXB5, QXE5, QXQ5, SC5, SCC, SEM, SHMV, SME5, SMM, SWA5, SX5, SXE5, SXQ5, VEP5, VPX5, VS15, VSD5, VMC5, VWE5, VWT5, VXB5	
30	87539-Z0J-810	MARK, EX. CAUTION(FRENCH).....	1	-	-	-	-	1591433 ----- QAPW	
			-	1	1	1	1	----- LXE5, LXQ5, PXE5, PXU5, QA25, QAA5, QAPW, QAPW/A, QC55, QC95, QK45, QKA5, QMAH, QMAH/A, QNR5, QPW, QX5, QXA5, QXB5, QXE5, QXQ5, QXU5, SC15, SC5, SCC, SCM5, SHMV, SME5, SWA5, SX5, SXE5, SXQ5, VSD5, VXB5	
	87539-Z0J-000	MARK, EX. CAUTION(ENGLISH)...	-	1	-	1	1	----- LFU, LXE5, LXQ5, QC55, QK45, QKA5, QMAH, QMAH/A, QXA5, QXB5, QXE5, QXQ5, SC5, SCC, SEM, SHMV, SME5, SMM, SWA5, SX5, SXE5, SXQ5, VSD5, VXB5	
31	30561-ZB4-000	CLIP, WIRE.....	-	1	-	-	-	----- EDS1, EDS5, EDT1, EDT5, EZDS	
32	31500-MN4-678	BATTERY(YTX9-BS)(YUASA).....	-	1	-	-	-	----- EZS5	
34	32130-ZE1-000	COUPLER COMP.	-	1	-	-	-	----- EDS1, EDS5, LTK1	
			-	1	-	-	-	1135679 ----- EZDS	
35	35100-Z5T-W01	SWITCH ASSY., COMBINATION(IND)	-	1	-	-	-	----- VZS6	
36	35110-Z5T-W01	KEY COMP.	-	1	-	-	-	----- VZS6	
37	35110-Z5T-W11	KEY ASSY., COMBINATION SWITCH (BLACK)	-	1	-	-	-	----- VZS6	
38	36170-ZB4-013	VALVE ASSY., SOLENOID.....	-	1	-	-	-	----- ES5	
			-	1	-	-	-	1135679 ----- EZS5	
39	38216-Z2E-003	COVER ASSY., FUSE.....	-	1	-	-	-	----- VZS6	
40	38220-ZE1-000	CASE COMP., FUSE.....	-	1	-	-	-	----- EDS1, EDS5	
			-	1	-	-	-	1135679 ----- EZDS	
41	38240-VA3-900	PROTECTOR, CIRCUIT(1.0A).....	-	1	-	-	-	----- EDS1, EDS5, VXEH	
			-	1	-	-	-	1135679 ----- EZDS	
42	38250-898-000	LENS ASSY., PROTECTOR.....	-	1	-	-	-	----- EDS1, EDS5, VXEH	
			-	1	-	-	-	1135679 ----- EZDS	
43	38251-898-000	LENS.....	-	1	-	-	-	----- EDS1, EDS5, VXEH	
			-	1	-	-	-	1135679 ----- EZDS	
44	38252-898-000	CAP, LENS.....	-	1	-	-	-	----- EDS1, EDS5, VXEH	
			-	1	-	-	-	1135679 ----- EZDS	
45	38253-898-000	SPRING, COIL.....	-	1	-	-	-	----- EDS1, EDS5, VXEH	
			-	1	-	-	-	1135679 ----- EZDS	
46	38254-898-000	HOLDER, LENS.....	-	1	-	-	-	----- EDS1, EDS5, VXEH	
			-	1	-	-	-	1135679 ----- EZDS	
47	87117-Z2E-800	LABEL, FUSE(30A).....	-	1	-	-	-	----- VZS6	
48	87522-883-660	MARK, CAUTION (ENGLISH/FRENCH/SPANISH)	-	1	-	-	-	----- EDS1, EDS5, EDT1, EDT5, VWC5, VWE5	
			-	1	-	-	-	1135679 ----- EZDS	
49	90101-692-000	SCREW, GLOVE BOX.....	-	1	-	-	-	----- EDS1, EDS5, EDT1, EDT5	



E-40

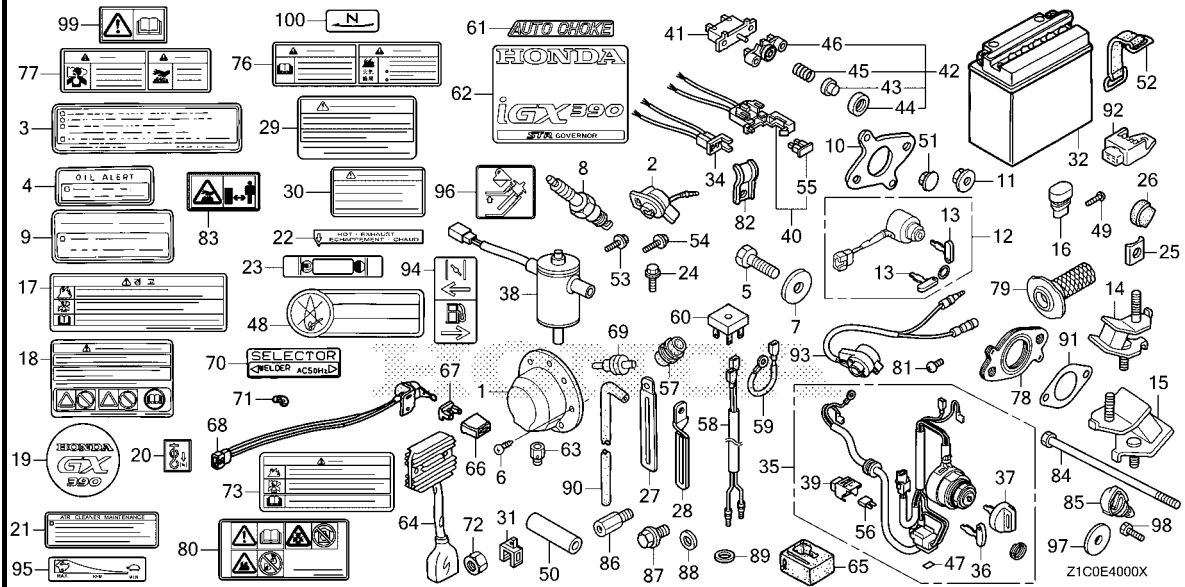
OTHER PARTS(1)

Ref. No.	Part No.	Description	Reqd. QTY					Serial No.	Parts catalogue code
			GX 390 T1	GX 390 T2	GX 390 T2X	GX 390 UT2	GX 390 UT2X		
63	16594-883-010	HOLDER, WIRE.....	-	1	-	-	-	LTK1	
64	31750-769-751	RECTIFIER ASSY., REGULATOR.....	-	1	-	-	-	LWD1, LWP1	
	31750-Z0A-811	-	1	-	-	-	QZSD, QZSL	
	31750-Z2E-803	RECTIFIER ASSY., REGULATOR (20A)	-	1	-	-	-	SWD4, SWDH, SWDL, SZSK	
65	32127-738-700	SUSPENSION, COUPLER.....	-	1	-	-	-	LTK1, SMEJ, SX5	
66	32343-892-003	KNOB, COCK LEVER.....	-	1	-	-	-	EDT1, EDT5	
67	36106-892-003	BUSH, CONTROL KNOB.....	-	1	-	-	-	EDT1, EDT5	
68	36110-ZB4-702	SWITCH ASSY., ENGINE KILL.....	-	1	-	-	-	EDT1, EDT5	
69	36135-ZF6-D41	VALVE, DASHPOT CHECK.....	-	1	-	-	-	ES5	
70	87543-ZC2-850	MARK, SELECTOR INDICATION (ENGLISH)	-	1	-	-	-	EWS1, EWS4	
71	90605-230-000	CIRCLIP, 5MM.....	-	1	-	-	-	LTK1	
72	94001-08000-0S	NUT, HEX., 8MM.....	-	2	-	-	-	LBHB	
73	87516-ZK6-800	MARK, OPERATOR CAUTION (CHINESE)	-	1	-	-	-	EDS5, EDT5, LXE5, PKT5, PXE5, PXU5, QA25, QAA5, QC95, QX5, QXU5, SC5 SCM5, SHMV, VWC5, VWE5	
			-	1	-	-	1252757	EWS1, EWS4, VS3, VS5	
			-	1	-	-	1338489	SX	
76	87520-ZH8-000	MARK A, COMBINATION(JAPANESE)	-	1	-	1	1	LFU, QMAH, QMAH/A, QZSL, SCC	
77	87526-ZH8-000	MARK B, COMBINATION(JAPANESE)	-	1	-	1	1	LFU, QMAH, QMAH/A, QZSL, SCC	
78	18333-Z1C-901	GASKET, EX. PIPE.....	-	1	-	-	-	QBHZ, QXA5, VXEH, VXH	
79	18355-ZE2-W00	ARRESTER, SPARK.....	-	1	-	-	-	QXA5, VPX5, VPPX, VPPX/A	
80	87519-Z4H-000	MARK, OPERATOR CAUTION (PICTOGRAPH)	-	1	-	1	1	EDS5, EDT5, EZD5, LFU, PXE5, PXU5, QA25, QAA5, QC95, QMAH, QMAH/A QNR5, QX5, QXU5, SCC, SCM5, VEP5, VPX5, VPPX, VPPX/A, VWC5, VWE5	
81	90050-ZE1-000	SCREW, TAPPING, 5X8.....	-	1	-	-	-	VPX5, VPPX, VPPX/A	
	93500-05012-0A	SCREW, PAN, 5X12.....	-	-	-	1	1	SCC	
82	16582-889-U20	HOLDER, CONTROL CABLE.....	-	-	-	1	1	SCC	
83	87539-Z0J-800	MARK, EX. CAUTION(PICTOGRAPH)	-	1	-	1	1	LFU, PXE5, PXU5, QA25, QAA5, QC95, QNR5, QX5, QXU5, SC5, SCC, SCM5	
84	90021-ZC2-800	BOLT, HEX., 10X283.....	-	1	-	-	1183507	EWS1, EWS3, EWS4, EWS5	
85	90683-SB2-781	CLIP(20MM).....	-	2	-	-	1340438	ES5	
86	19526-ZE3-H60	EXTENSION, OIL DRAIN.....	-	1	-	-	2094934	SWDL	
			-	-	-	1	1	LFU	
87	90131-ZE1-000	BOLT, DRAIN PLUG.....	-	1	-	-	2094934	SWDL	
			-	-	-	1	1	LFU	
88	90601-ZE1-000	WASHER, DRAIN PLUG, 10.2MM...	-	1	-	-	2094934	SWDL	
			-	-	-	1	1	LFU	
89	94109-12000	WASHER, DRAIN PLUG, 12MM.....	-	1	-	-	2270915	SWDH	
			-	1	-	-	2308225	SWDL	
			-	-	-	1	1	LFU	
90	16199-ZA0-930	TUBE, AIR VENT.....	-	1	-	-	-	VS15	
91	18333-Z1C-801	GASKET, EX. PIPE.....	-	1	-	-	-	LBD, LBP, QBD, QBL, QBP, QBT, VWT5	
92	31710-ZS9-A02	RECTIFIER ASSY.....	-	1	-	-	-	VEP5	
93	35120-Z5T-003	SWITCH ASSY., ENGINE STOP.....	-	1	-	-	-	QC55	
94	87528-Z4M-000	MARK, CHOKE.....	-	1	-	-	-	QC55	
	87528-Z5T-000	-	1	-	-	2209855	QK45, SWA5	
	87528-Z4M-000	-	1	-	-	2209856	QK45, SWA5	
95	87532-ZH8-W40	MARK, THROTTLE INDICATION.....	-	1	-	-	-	PKT5	
	87532-ZH7-000	-	1	-	-	-	QC55, SWA5	
96	87594-ZB4-A00	MARK, OIL CAUTION.....	-	1	-	-	-	VWC5, VWE5	
97	90534-706-010	WASHER, LOCK, 8.5X35X4.5.....	-	1	-	-	-	SC15, SC5	



E-40

OTHER PARTS(1)

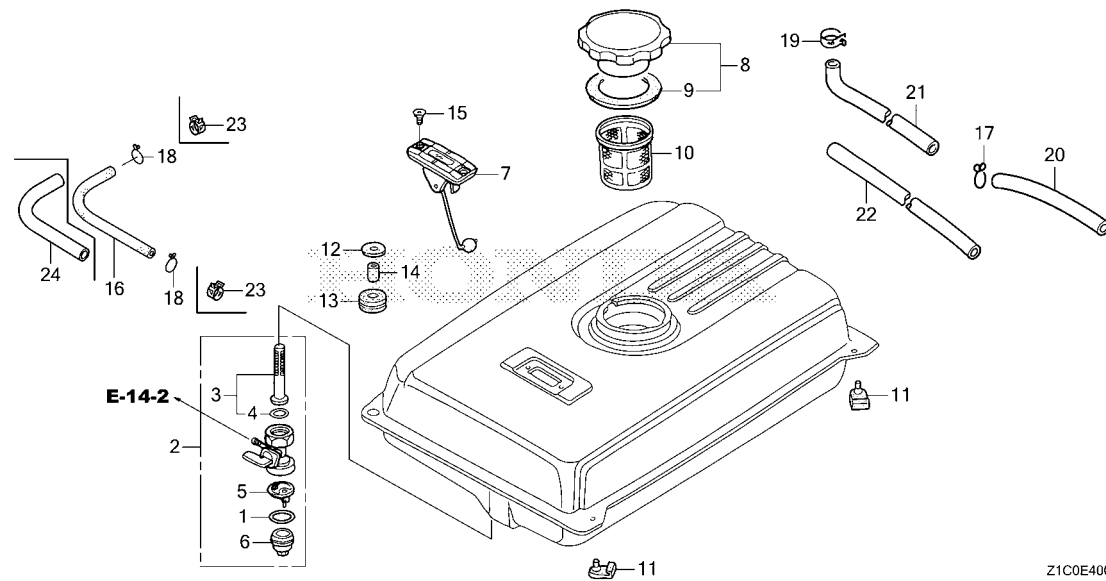


Ref. No.	Part No.	Description	Reqd. QTY					Serial No.	Parts catalogue code
			GX 390 T1	GX 390 T2	GX 390 T2X	GX 390 UT2	GX 390 UT2X		
98	92101-08025-0A	BOLT, HEX., 8X25.....	-	1	-	-	-	SC15,SC5	
99	87516-Z0T-800	MARK, OPERATOR CAUTION.....	-	1	-	-	-	PKT5	
100	87528-ZB2-630	MARK, CHOKE.....	-	1	-	-	-	VSEP	



E-40-1

OTHER PARTS(2)(FUEL COCK)



Ref. No.	L.O.N.	(Relative ref. Number) Description	F.R.T.
7	6171A1	METER/GAUGE UNIT, FUEL	0.1
8		(9)	
	3101M7	CAP, FUEL FILLER	0.1
10	3101A6	FILTER, FUEL	0.1

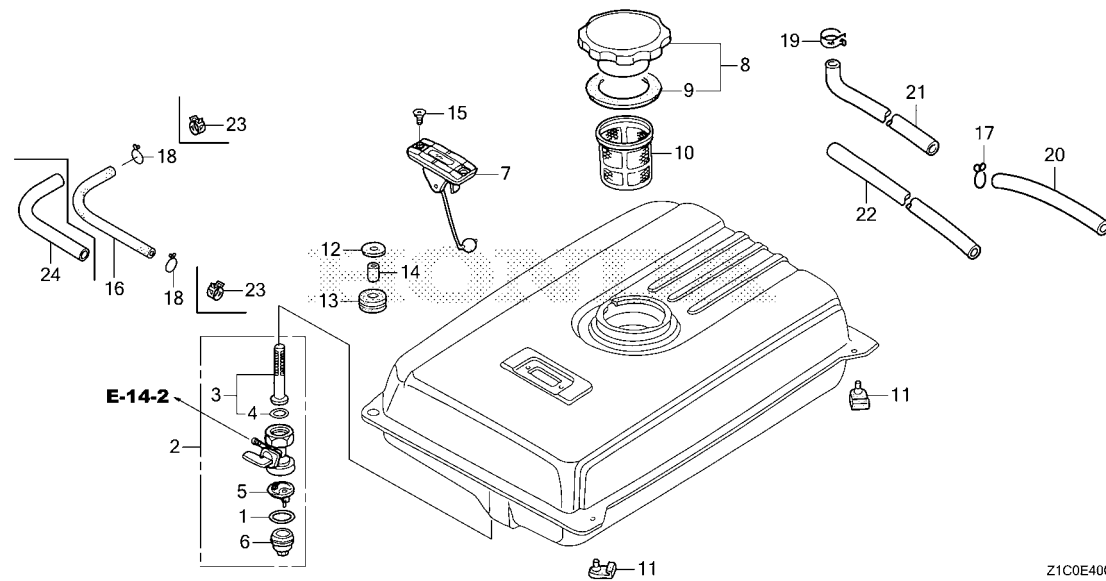
Z1C0E4001E

Ref. No.	Part No.	Description	Reqd. QTY					Serial No.	Parts catalogue code
			GX 390 T1	GX 390 T2	GX 390 T2X	GX 390 UT2	GX 390 UT2X		
1	16173-001-004	O-RING	1	1	-	-	-	EDS1, EDS5, EDT1, EDT5, ES2, ES3, ES5, EWS1, EWS3, EWS4, EWS5, VMQ3 VMT, VMT2, VMT3, VS3, VS4, VS6, VSB3, VSB4, VSB5	
			-	1	-	-	-	1135679 EZDS, EZS4, EZS5, VZS5	
			-	1	-	-	-	1546739 VS5	
2	16950-ZB4-015	COCK ASSY., FUEL	1	1	-	-	-	EDS1, EDS5, EDT1, EDT5, ES2, ES3, ES5, EWS1, EWS3, EWS4, EWS5, VMQ3 VMT, VMT2, VMT3, VS3, VS4, VS6, VSB3, VSB4, VSB5	
			-	1	-	-	-	1135679 EZDS, EZS4, EZS5, VZS5	
			-	1	-	-	-	1546739 VS5	
3	16952-ZB4-005	SCREEN SET, FUEL STRAINER	1	1	-	-	-	EDS1, EDS5, EDT1, EDT5, ES2, ES3, ES5, EWS1, EWS3, EWS4, EWS5, VMQ3 VMT, VMT2, VMT3, VS3, VS4, VS6, VSB3, VSB4, VSB5	
			-	1	-	-	-	1135679 EZDS, EZS4, EZS5, VZS5	
			-	1	-	-	-	1546739 VS5	
4	16958-397-771	O-RING, 9.0X1.3	1	1	-	-	-	EDS1, EDS5, EDT1, EDT5, ES2, ES3, ES5, EWS1, EWS3, EWS4, EWS5, VMQ3 VMT, VMT2, VMT3, VS3, VS4, VS6, VSB3, VSB4, VSB5	
			-	1	-	-	-	1135679 EZDS, EZS4, EZS5, VZS5	
			-	1	-	-	-	1546739 VS5	
5	16959-471-831	FILTER, CUP	1	1	-	-	-	EDS1, EDS5, EDT1, EDT5, ES2, ES3, ES5, EWS1, EWS3, EWS4, EWS5, VMQ3 VMT, VMT2, VMT3, VS3, VS4, VS6, VSB3, VSB4, VSB5	
			-	1	-	-	-	1135679 EZDS, EZS4, EZS5, VZS5	
			-	1	-	-	-	1546739 VS5	
6	16967-GA6-671	CUP, FUEL STRAINER	1	1	-	-	-	EDS1, EDS5, EDT1, EDT5, ES2, ES3, ES5, EWS1, EWS3, EWS4, EWS5, VMQ3 VMT, VMT2, VMT3, VS3, VS4, VS6, VSB3, VSB4, VSB5	
			-	1	-	-	-	1135679 EZDS, EZS4, EZS5, VZS5	
			-	1	-	-	-	1546739 VS5	
7	17505-ZB2-003	METER ASSY., FUEL	1	-	-	-	-	1721872 ES2, ES3, VMQ3, VMT2, VMT3, VS4, VS6, VSB4, VSB5	
	17630-Z8V-003	1	-	-	-	1721873	ES2, ES3, VMQ3, VMT2, VMT3, VS4, VS6, VSB4, VSB5	
			-	1	-	-	-	ES5, EWS1, EWS3, EWS4, EWS5, VS3	



E-40-1

OTHER PARTS(2)(FUEL COCK)



Z1C0E4001E

Ref. No.	Part No.	Description	Reqd. QTY					Serial No.	Parts catalogue code
			GX 390 T1	GX 390 T2	GX 390 T2X	GX 390 UT2	GX 390 UT2X		
(7)	17505-ZB2-003	METER ASSY., FUEL	-	1	-	-	-	----- EZS4, EZS5, VZS5, VZS6	
	17630-Z8V-003	-	1	-	-	----- 1124439 ES2, VMQ3, VMT, VMT2, VMT3, VS4, VS6, VSB3, VSB4		
		-	1	-	-	----- 1546739 VS5		
8	17620-899-013	CAP COMP., FUEL FILLER	1	-	-	-	----- 1124440 ES2, VMQ3, VMT, VMT2, VMT3, VS4, VS6, VSB3, VSB4		
	17620-899-800	1	-	-	-	----- 1612456 ES2, ES3, VMQ3, VMT2, VMT3, VS4, VS6, VSB4, VSB5		
		-	1	-	-	----- 1612457 ES2, ES3, VMQ3, VMT2, VMT3, VS4, VS6, VSB4, VSB5		
	17620-899-013	-	1	-	-	----- 1340437 ES2, EZS4, EZS5, VMQ3, VMT, VMT2, VMT3, VS4, VS6, VSB3, VSB4, VZS5		
	17620-899-800	-	1	-	-	----- 1340438 ES5, EWS1, EWS3, EWS4, EWS5, VS3, VS5		
		-	1	-	-	----- 1340438 ES5, EWS1, EWS3, EWS4, EWS5, VS3		
9	17631-899-000	PACKING, FUEL FILLER CAP	1	1	-	-	----- 1546739 VS5		
		-	1	-	-	----- ES2, ES3, ES5, EWS1, EWS3, EWS4, EWS5, EZS4, EZS5, VMQ3, VMT, VMT2, VMT3, VS3, VS4, VS6, VSB3, VSB4, VSB5, VZS5		
10	17670-899-000	FILTER COMP., FUEL	1	1	-	-	----- 1546739 VS5		
	17672-899-000	FILTER, FUEL	1	1	-	-	----- ES2, ES3, ES5, EWS1, EWS3, EWS4, EWS5, EZS4, EZS5, VS3, VS4, VS6, VSB3, VSB4, VSB5, VZS5		
	17670-899-000	FILTER COMP., FUEL	-	1	-	-	----- 1546739 VMQ3, VMT, VMT2, VMT3, VS5		
11	50319-ZB2-000	RUBBER, TANK MOUNTING	2	2	-	-	----- 1135679 EDS1, EDS5, EDT1, EDT5, ES2, ES3, ES5, EWS1, EWS3, EWS4, EWS5, VMQ3, VMT, VMT2, VMT3, VSB3, VSB4, VSB5		
		-	2	-	-	----- 1135679 EZDS, EZS4, EZS5		
		2	-	-	-	----- ES2, ES3, VSB4, VSB5		
		4	-	-	-	----- VS4, VS6		
		-	2	-	-	----- ES2, ES5, EWS1, EWS3, EWS4, EWS5, EZS4, EZS5, VSB3, VSB4		
		-	4	-	-	----- VS3, VS4, VS6, VZS5		
		-	4	-	-	----- 1546739 VS5		



E-40-1

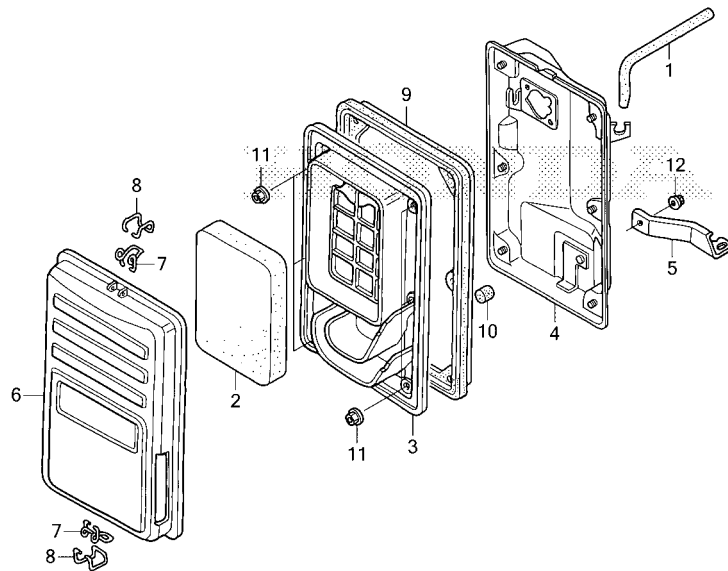
OTHER PARTS(2)(FUEL COCK)

Ref. No.	Part No.	Description	Reqd. QTY					Serial No.	Parts catalogue code
			GX 390 T1	GX 390 T2	GX 390 T2X	GX 390 UT2	GX 390 UT2X		
13	90851-898-000	RUBBER, TANK CUSHION.....	2	-	-	-	-	-----	ES2, ES3, VMQ3, VMT2, VMT3, VSB4, VSB5
			4	-	-	-	-	-----	VS4, VS6
			-	2	-	-	-	-----	ES2, ES5, EWS1, EWS3, EWS4, EWS5, EZS4, EZS5, VMQ3, VMT, VMT2, VMT3
			-	4	-	-	-	-----	VSB3, VSB4
			-	4	-	-	-	-----	VS3, VS4, VS6, VZS5
14	91551-898-000	COLLAR, TANK CUSHION.....	2	-	-	-	-	-----	1546739 VS5
			4	-	-	-	-	-----	ES2, ES3, VMQ3, VMT2, VMT3, VSB4, VSB5
			-	2	-	-	-	-----	VS4, VS6
			-	4	-	-	-	-----	ES2, ES5, EWS1, EWS3, EWS4, EWS5, EZS4, EZS5, VMQ3, VMT, VMT2, VMT3
			-	4	-	-	-	-----	VSB3, VSB4
15	93600-05010-0A	SCREW, FLAT, 5X10.....	2	2	-	-	-	-----	VS3, VS4, VS5, VS6, VZS5
			-	-	-	-	-	-----	VMQ3, VMT, VMT2, VMT3
16	95001-45150-40	TUBE, FUEL, 4.5X150 (95001-45001-60M)	-	1	-	-	-	-----	EDS1, EDT1
	91424-Z4J-802	TUBE, FUEL, 4.5X150(FKM).....	-	1	-	-	-	-----	EDS5, EDT5
	95001-45360-40	TUBE, FUEL, 4.5X360 (95001-45001-60M)	-	1	-	-	-	-----	SXK
	95001-45150-40	TUBE, FUEL, 4.5X150 (95001-45001-60M)	-	1	-	-	-	-----	1135679 EZDS
	91424-Z5R-802	TUBE, FUEL, 4.5X260(FKM).....	-	1	-	-	-	-----	2166372 EZD5, QZSL
	91424-Z5R-803	-	1	-	-	-	-----	2166373 EZD5, QZSL
17	95002-02070	CLIP, TUBE(B7).....	-	4	-	-	-	-----	ES5, EZS5
18	95002-02080	CLIP, TUBE(B8).....	-	2	-	-	-	-----	EDS1, EDT1, EZDS
19	95002-40800-08	CLAMP, TUBE(D8).....	-	2	-	-	-	-----	ES5, EZS5
20	95005-35030-10	TUBE, 3.5X30(95005-35001-10M)	-	1	-	-	-	-----	EZS5
			-	1	-	-	-	-----	1340438 ES5
21	95005-35530-11	TUBE, 3.5X530(95005-35001-10M)	-	1	-	-	-	-----	ES5, EZS5
22	95005-35710-10	TUBE, 3.5X710(95005-35001-10M)	-	1	-	-	-	-----	ES5, EZS5
23	95002-40800-08	CLAMP, TUBE(D8).....	-	2	-	-	-	-----	EDS5, EDT5, EZD5, QZSL
			-	1	-	-	-	-----	VEP5, VSEP, VWCS, VWE5
24	16854-ZH8-000	RUBBER, SUPPORTER(107MM).....	-	1	-	-	-	-----	VSEP, VMC5, VWE5



E-40-2

OTHER PARTS(3)(AIR CLEANER)

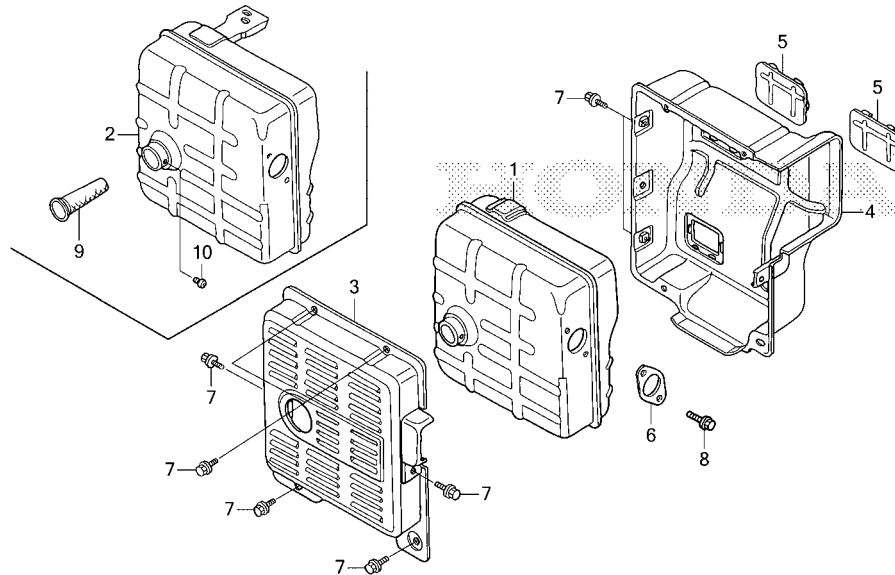


Ref. No.	L.O.N.	(Relative ref. Number) Description	F.R.T.
2	3121B8	ELEMENT, AIR CLEANERINCLUDES: Air cleaner element -inspection	0.1

Ref. No.	Part No.	Description	Reqd. QTY					Serial No.	Parts catalogue code
			GX 390 T1	GX 390 T2	GX 390 T2X	GX 390 UT2	GX 390 UT2X		
1	15721-ZB4-000	TUBE, BREATHER	1	-	-	-	-	ES2, ES3, VMQ3, VMT2, VMT3, VS4, VS6, VSB4, VSB5	
2	17211-899-000	ELEMENT, AIR CLEANER	1	-	-	-	-	ES2, ES3, VMQ3, VMT2, VMT3, VS4, VS6, VSB4, VSB5	
3	17212-ZB4-003	SEPARATOR, AIR CLEANER	1	-	-	-	-	ES2, ES3, VMQ3, VMT2, VMT3, VS4, VS6, VSB4, VSB5	
4	17220-ZB4-013	CASE COMP., AIR CLEANER	1	-	-	-	-	ES2, ES3, VMQ3, VMT2, VMT3, VS4, VS6, VSB4, VSB5	
5	17222-ZC2-000	STAY, AIR CLEANER	1	-	-	-	-	ES2, ES3, VMQ3, VMT2, VMT3, VS4, VS6, VSB4, VSB5	
6	17231-899-000	COVER COMP., AIR CLEANER	1	-	-	-	-	ES2, ES3, VMQ3, VMT2, VMT3, VS4, VS6, VSB4, VSB5	
7	17235-899-000	CLIP A, AIR CLEANER WIRE	2	-	-	-	-	ES2, ES3, VMQ3, VMT2, VMT3, VS4, VS6, VSB4, VSB5	
8	17236-899-000	CLIP B, AIR CLEANER WIRE	2	-	-	-	-	ES2, ES3, VMQ3, VMT2, VMT3, VS4, VS6, VSB4, VSB5	
9	17252-899-000	SEAL, AIR CLEANER	1	-	-	-	-	ES2, ES3, VMQ3, VMT2, VMT3, VS4, VS6, VSB4, VSB5	
10	17367-413-690	FILTER, DRAIN TUBE	1	-	-	-	-	ES2, ES3, VMQ3, VMT2, VMT3, VS4, VS6, VSB4, VSB5	
11	94050-05000	NUT, FLANGE, 5MM	6	-	-	-	-	ES2, ES3, VMQ3, VMT2, VMT3, VS4, VS6, VSB4, VSB5	
12	94050-06000	NUT, FLANGE, 6MM	1	-	-	-	-	VMQ3, VMT2, VMT3	

E-40-3

OTHER PARTS(4)(MUFFLER)



Z1C0E4003B

Ref. L.O.N. (Relative ref. Number) F.R.T.
No. Description

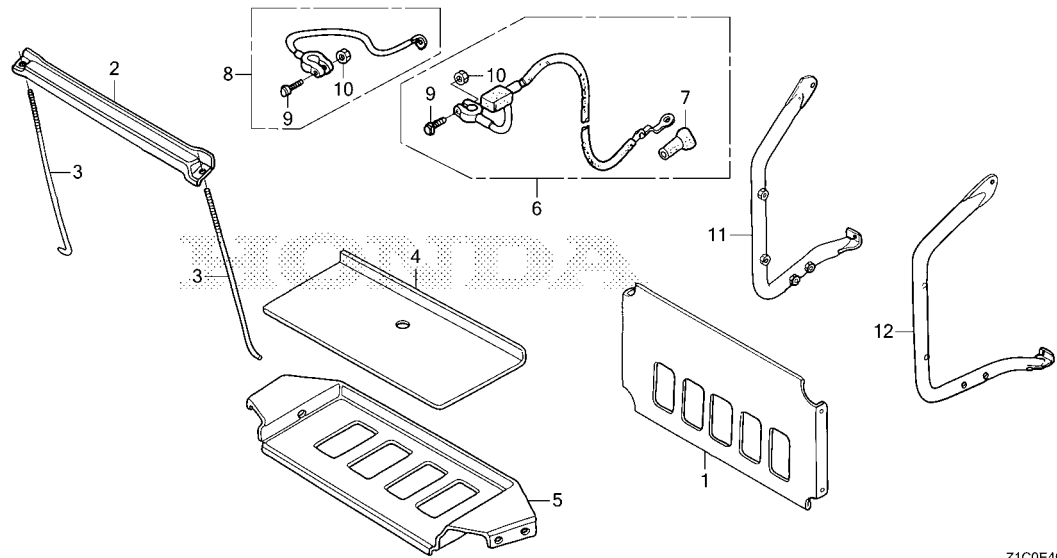
NO INFORMATION

Ref. No.	Part No.	Description	Reqd. QTY					Serial No.	Parts catalogue code
			GX 390 T1	GX 390 T2	GX 390 T2X	GX 390 UT2	GX 390 UT2X		
1	18310-ZE2-V61	MUFFLER COMP.(TSURUMI)	1	-	-	-	-	VS4, VS6	
	18310-Z8W-V62	-	1	-	-	-	QZSL	
	18310-ZE2-V61	-	1	-	-	1087622	VS4, VS6	
	18310-Z8W-V61	-	1	-	-	1107196	VS3, VS5, VZS5, VZS6	
			-	1	-	-	1087623	VS4, VS6	
			-	1	-	-	1107197	VS3, VS5, VZS5, VZS6	
2	18310-Z1C-842	MUFFLER COMP.	1	1	-	-	-	EDS1, EDS5, EDT1, EDT5, ES2, ES3, ES5, EWS1, EWS3, EWS4, EWS5, EZD5 EZDS, EZS4, EZS5, VMQ3, VMT, VMT2, VMT3, VSB3, VSB4, VSB5	
3	18320-ZC2-000	PROTECTOR, MUFFLER OUTER	1	1	-	-	-	EDS1, EDS5, EDT1, EDT5, ES2, ES3, ES5, EWS1, EWS3, EWS4, EWS5, EZD5 EZDS, EZS4, EZS5, VMQ3, VMT, VMT2, VMT3, VS3, VS4, VS5, VS6, VSB3 VSB4, VSB5, VZS5, VZS6	
4	18325-ZB4-000	PROTECTOR, MUFFLER INNER	1	1	-	-	-	EDS1, EDS5, EDT1, EDT5, ES2, ES3, ES5, EWS1, EWS3, EWS4, EWS5, EZD5 EZDS, EZS4, EZS5, VMQ3, VMT, VMT2, VMT3, VS3, VS4, VS5, VS6, VSB3 VSB4, VSB5, VZS5, VZS6	
5	18329-ZB4-000	SEAL, MUFFLER PROTECTOR	2	2	-	-	-	EDS1, EDS5, EDT1, EDT5, ES2, ES3, ES5, EWS1, EWS3, EWS4, EWS5, EZD5 EZDS, EZS4, EZS5, VMQ3, VMT, VMT2, VMT3, VS3, VS4, VS5, VS6, VSB3 VSB4, VSB5, VZS5, VZS6	
6	18333-ZB4-800	GASKET, EX. PIPE	1	-	-	-	-	ES2, ES3, VMQ3, VMT2, VMT3, VS4, VS6, VSB4, VSB5	
	18333-ZB4-801	-	1	-	-	-	EDS1, EDS5, EDT1, EDT5, ES2, ES5, EWS1, EWS3, EWS4, EWS5, EZD5, EZDS EZS4, EZS5, QZSL, VMQ3, VMT, VMT2, VMT3, VS15, VS3, VS4, VS5, VS6 VSB3, VSB4, VZS5, VZS6	
7	95701-06010-00	BOLT, FLANGE, 6X10	8	8	-	-	-	VMQ3, VMT, VMT2, VMT3	
8	95701-08020-00	BOLT, FLANGE, 8X20	2	2	-	-	-	EZD5, QZSL, VMQ3, VMT, VMT2, VMT3	
9	18355-ZB4-630	ARRESTER, SPARK	-	1	-	-	-	EDS1, EDS5, EDT1, EDT5, EZD5, EZDS	
10	90002-Z0T-800	SCREW, TAPPING, 4X8	-	1	-	-	-	EDS1, EDT1, EZD5, EZDS	



E-40-4

OTHER PARTS(5)(BATTERY TRAY)



Z1C0E4004A

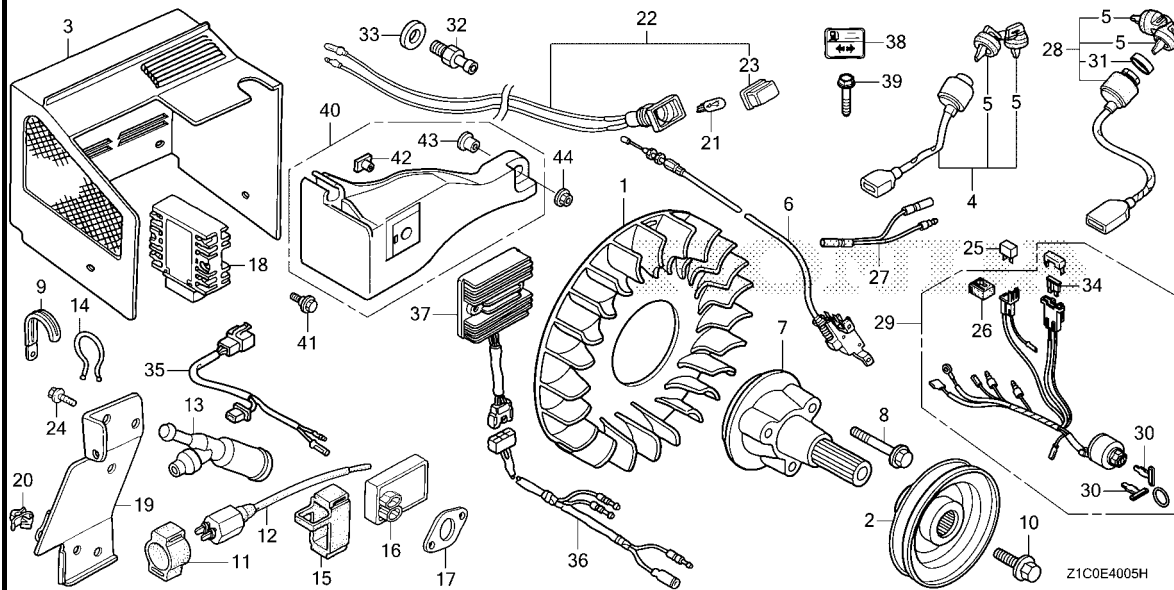
Ref. L.O.N. (Relative ref. Number) F.R.T.
No. Description

NO INFORMATION

Ref. No.	Part No.	Description	Reqd. QTY					Serial No.	Parts catalogue code
			GX 390 T1	GX 390 T2	GX 390 T2X	GX 390 UT2	GX 390 UT2X		
1	31511-ZB4-000	PLATE, BATTERY GUARD.....	1	1	-	-	-	EWS4, EWS5, EZS4, VS5, VS6, VSB3, VSB5, VZS5	
2	31512-880-810	PLATE, BATTERY SETTING.....	1	1	-	-	-	EWS4, EWS5, EZS4, VS5, VS6, VSB3, VSB5, VZS5	
3	31513-634-000	BOLT, BATTERY SETTING, 220MM..	2	2	-	-	-	EWS4, EWS5, EZS4, VS5, VS6, VSB3, VSB5, VZS5	
4	31521-880-000	PLATE, BATTERY.....	1	1	-	-	-	EWS4, EWS5, EZS4, VS5, VS6, VSB3, VSB5, VZS5	
5	31550-899-000	BASE, BATTERY TRAY.....	1	1	-	-	-	EWS4, EWS5, EZS4, VS5, VS6, VSB3, VSB5, VZS5	
6	32410-ZB4-620	CABLE ASSY., STARTING.....	1	1	-	-	-	EWS4, EWS5, EZS4, VS5, VS6, VSB3, VSB5, VZS5	
7	32411-253-000	COVER, STARTER MOTOR TERMINAL	1	1	-	-	-	EWS4, EWS5, EZS4, VS5, VS6, VSB3, VSB5, VZS5	
8	32430-ZB4-620	CABLE ASSY., EARTH.....	1	1	-	-	-	EZS4, VS5, VS6, VSB3, VSB5, VZS5	
	32600-ZR2-K30	-	1	-	-	-	EWS4, EWS5	
9	32601-SK7-900	BOLT, BATTERY TERMINAL.....	2	2	-	-	-	EWS4, EWS5, EZS4, VS5, VS6, VSB3, VSB5, VZS5	
10	32602-SK7-900	NUT, BATTERY TERMINAL.....	2	2	-	-	-	EWS4, EWS5, EZS4, VS5, VS6, VSB3, VSB5, VZS5	
11	50365-ZD1-E30ZA	GUARD, FR. BATTERY							
	NH105....MAT BLACK(#15-#20)		1	-	-	-	-	VSB5	
	50365-ZD1-E30ZB	*NH1*.....BLACK	-	1	-	-	-	EZS4, VSB3	
12	50375-ZD1-E30ZA	GUARD, RR. BATTERY							
	NH105....MAT BLACK(#15-#20)		1	-	-	-	-	VSB5	
	50375-ZD1-E30ZB	*NH1*.....BLACK	-	1	-	-	-	EZS4, VSB3	

E-40-5

OTHER PARTS(6)



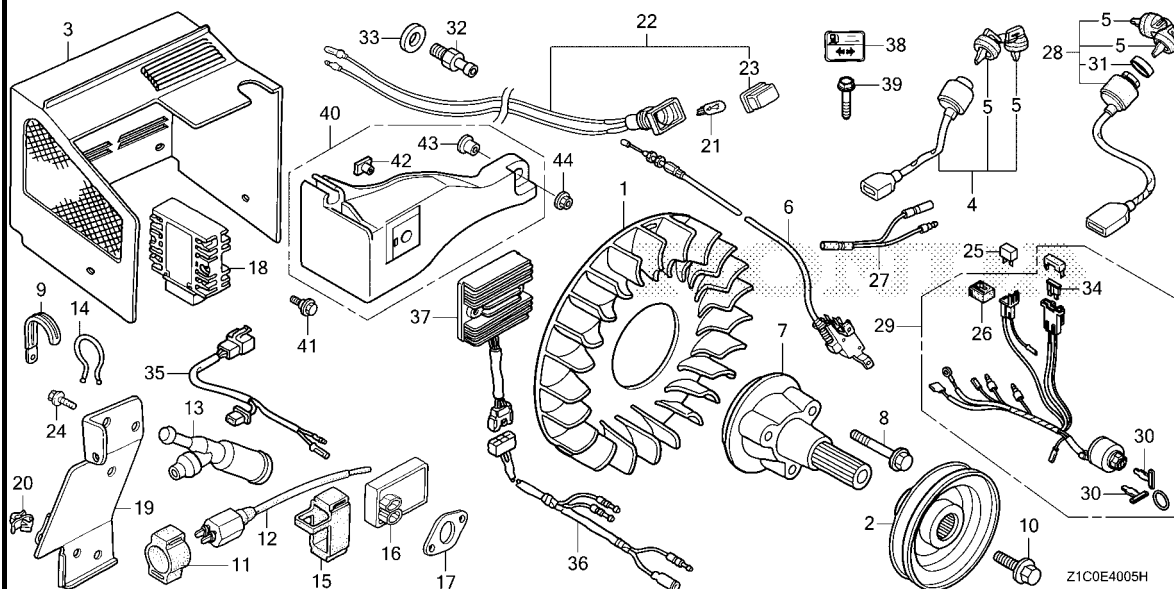
Ref. No.	L.O.N.	(Relative ref. Number) Description	F.R.T.
NO INFORMATION			

Ref. No.	Part No.	Description	Reqd. QTY					Serial No.	Parts catalogue code
			GX 390 T1	GX 390 T2	GX 390 T2X	GX 390 UT2	GX 390 UT2X		
1	19511-ZE3-790	FAN, COOLING.....	-	1	-	-	-	LWD, LWP1	
2	22411-766-000	PULLEY, WHEEL DRIVE(88MM)....	-	1	-	-	-	LWD, LWP1	
3	31195-ZC2-800	COVER, REACTOR.....	-	1	-	-	-	EWS1, EWS3, EWS4, EWS5	
4	35100-766-013	SWITCH ASSY., COMBINATION....	-	1	-	1	1	LFU, LWP1, QMAH, QMAH/A	
5	35110-736-612	KEY ASSY., COMBINATION SWITCH (BLACK)	-	2	-	2	2	LFU, LWP1, QMAH, QMAH/A, SC15, SMEJ, SX5	
6	36215-ZC2-851	SWITCH ASSY., FREQUENCY CHANGE	-	1	-	-	-	EWS1, EWS4	
7	40215-ZE3-H00	SHAFT, ENGINE P.T.O.....	-	1	-	-	-	LWD, LWP1	
8	90102-ZE3-790	BOLT, ENGINE P.T.O.....	-	3	-	-	-	LWD, LWP1	
9	91406-166-000	CLIP, WIRE.....	-	1	-	-	-	EWS1, EWS3	
10	95701-08016-00	BOLT, FLANGE, 8X16.....	-	1	-	-	-	LWD, LWP1	
11	30506-KV3-771	SUSPENSION, IGNITION COIL....	-	1	-	-	-	SXX1	
12	30510-ZK6-003	COIL COMP., IGNITION.....	-	1	-	-	-	SXX1	
13	30700-Z1C-813	CAP ASSY., NOISE SUPPRESSOR (NGK Y-EZD)	-	1	-	-	-	SXX1	
14	90630-751-000	CLIP, PURSE LOCK.....	-	1	-	-	-	SXX1	
15	30401-HE0-000	CUSHION, C.D.I. UNIT.....	-	1	-	-	1805105	SMEJ	
16	30410-ZK6-013	C.D.I. UNIT.....	-	1	-	-	-	SXX1	
17	18333-ZK6-Y00	GASKET, EX. PIPE.....	-	2	-	-	-	SXX	
			-	3	-	-	-	SXX1	
18	31600-ZE2-861	RECTIFIER ASSY., REGULATOR (10A)	-	1	-	1	1	QKA5, QMAH, QMAH/A, SC15, SC5, SCC, SEM, SMM	
	31750-769-003	RECTIFIER COMP., REGULATOR....	-	1	-	-	-	SXX, SXX1	
19	32108-ZE3-790	BASE, HARNESS CLIP.....	-	1	-	-	-	SXX, SXX1	
20	32172-GJ1-003	CLIP B, HARNESS.....	-	1	-	-	-	SXX, SXX1	



E-40-5

OTHER PARTS(6)

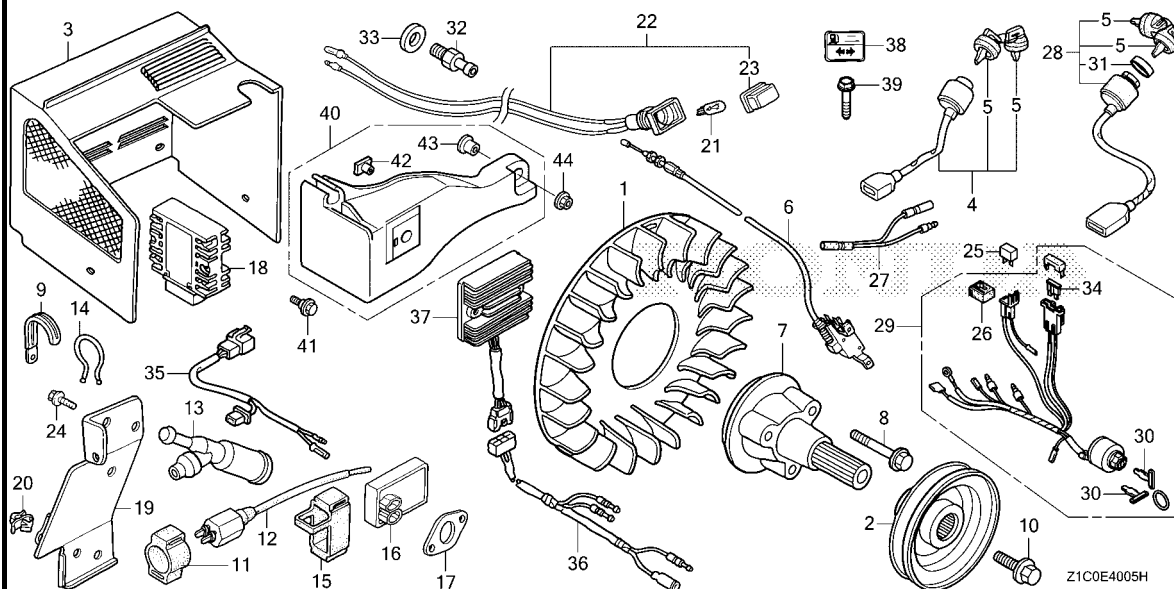


Ref. No.	Part No.	Description	Reqd. QTY					Serial No.	Parts catalogue code
			GX 390 T1	GX 390 T2	GX 390 T2X	GX 390 UT2	GX 390 UT2X		
21	34908-GE0-701	BULB, WEDGE BASE(12V/2W).....	-	1	-	-	-	SXX,SXX1	
22	37570-ZA0-801	SOCKET ASSY., LAMP(RED).....	-	1	-	-	-	SXX,SXX1	
23	37573-ZA0-801	LENS(RED).....	-	1	-	-	-	SXX,SXX1	
24	90013-883-000	BOLT, FLANGE, 6X12(CT200)....	-	2	-	-	-	SXX,SXX1	
25	31700-124-008	RECTIFIER ASSY., SILICON (SHINDENGEN)	-	1	-	-	-	EDS5,SMEJ,SX5,VS15,VSEP,VWE5,VXEH	
26	32127-738-700	SUSPENSION, COUPLER.....	-	1	-	-	-	VS15,VSEP,VXEH	
27	32197-ZH8-003	SUB HARNESS.....	-	1	-	-	-	SMEJ,SX5	
28	35100-768-S01	SWITCH ASSY., COMBINATION....	-	1	-	-	-	SC15,SMEJ,SX5	
29	35100-Z5T-811	SWITCH ASSY., COMBINATION....	-	1	-	-	-	VS15,VSEP,VXEH	
30	35111-880-013	KEY COMP.(HONDA LOCK).....	-	2	-	-	-	VS15,VSEP,VXEH	
31	35115-768-S01	COVER, KEY.....	-	1	-	-	-	SC15,SMEJ,SX5	
32	90131-ZE3-790	PLUG, OIL DRAIN.....	-	2	-	-	-	SC15,SC5	
			-	1	-	-	-	SCM5,SMEJ,SX5	
33	94109-12000	WASHER, DRAIN PLUG, 12MM.....	-	2	-	-	2	QMAH,QMAH/A	
			-	1	-	-	-	SC15,SC5	
			-	1	-	-	-	SCM5,SMEJ,SX5	
			-	-	-	2	2	QMAH,QMAH/A	
34	98200-30500	FUSE, BLADE(5A).....	-	1	-	-	-	VS15,VSEP,VXEH	
35	32110-ZE2-860	HARNESS ASSY., SUB WIRE.....	-	1	-	1	1	QKA5,QMAH,QMAH/A,SC15,SC5	
36	32110-ZE2-W00	HARNESS ASSY., SUB WIRE.....	-	1	-	1	1	LFU,QNR5	
			-	1	-	-	-	2257759 SWD4	
37	31620-ZG5-033	RECTIFIER ASSY., REGULATOR (20A)	-	-	-	1	1	LFU	
38	87565-735-J10	MARK, FUEL INDICATION.....	-	1	-	-	-	SWDH	
			-	1	-	-	2094935	SWDL	



E-40-5

OTHER PARTS(6)

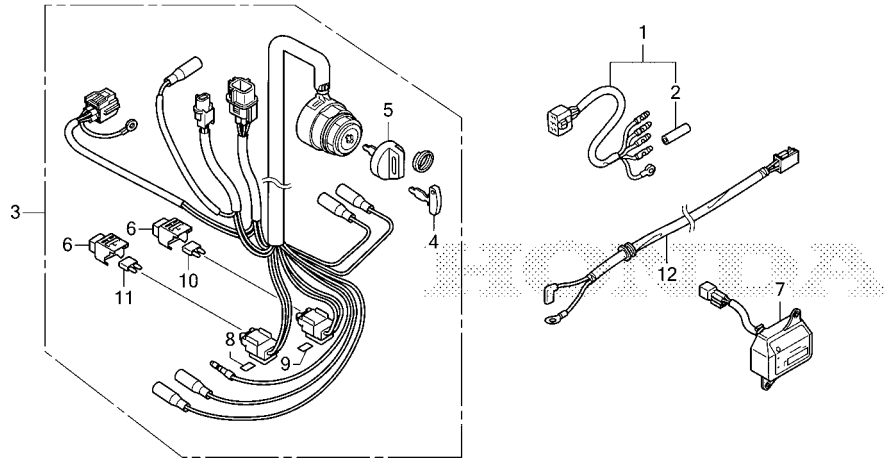


Ref. No.	Part No.	Description	Reqd. QTY					Serial No.	Parts catalogue code
			GX 390 T1	GX 390 T2	GX 390 T2X	GX 390 UT2	GX 390 UT2X		
39	90015-883-000	BOLT, FLANGE, 6X28(CT200).....	-	1	-	-	-	2270915 SWDH 2094935 2308225 SWDL	
40	16530-Z1D-H00	COVER COMP., GOVERNOR.....	-	1	-	-	-	SWD4	
41	90002-Z1D-H00	BOLT, FLANGE, 6MM.....	-	1	-	-	-	2257759 SWD4	
42	90201-Z1D-300	NUT, SPECIAL, 6X7.....	-	1	-	-	-	SWD4	
43	91501-Z1D-300	COLLAR, 6.5X6.....	-	1	-	-	-	SWD4	
44	94050-06070	NUT, FLANGE, 6MM.....	-	1	-	-	-	SWD4	



E-40-6

OTHER PARTS(7)



Z1C0E4006B

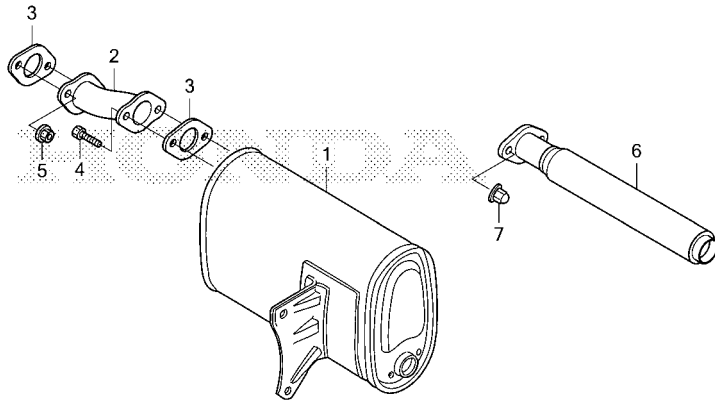
Ref. L.O.N. (Relative ref. Number) F.R.T.
 No. Description

NO INFORMATION

Ref. No.	Part No.	Description	Reqd. QTY					Serial No.	Parts catalogue code
			GX 390 T1	GX 390 T2	GX 390 T2X	GX 390 UT2	GX 390 UT2X		
1	32105-ZJ1-800	HARNESS ASSY., SUB WIRE	-	1	-	-	-	----- QZSD,QZSL	
2	32824-ZV5-003	PLUG, OUTER CONNECTOR	-	1	-	-	-	----- QZSD,QZSL	
3	35100-Z5T-W82	SWITCH ASSY., COMBINATION (BUNDLE, HM, FS)	-	1	-	-	-	----- EZD5	
	35100-Z5T-W71	SWITCH ASSY., COMBINATION	-	1	-	-	-	----- QZSL	
4	35110-Z5T-W01	KEY COMP.	-	1	-	-	-	----- EZD5,QZSL	
5	35110-Z5T-W11	KEY ASSY., COMBINATION SWITCH (BLACK)	-	1	-	-	-	----- EZD5,QZSL	
6	38216-Z2E-003	COVER ASSY., FUSE	-	2	-	-	-	----- EZD5,QZSL	
7	39700-Z5T-W01	METER ASSY., HOUR	-	1	-	-	-	----- QZSL	
8	87117-Z2E-800	LABEL, FUSE(30A)	-	1	-	-	-	----- EZD5,QZSL	
9	87117-Z5T-W00	LABEL, FUSE(7.5A)	-	1	-	-	-	----- EZD5,QZSL	
10	98200-40750	FUSE, MINI(7.5A)	-	1	-	-	-	----- EZD5,QZSL	
11	98200-43000	FUSE, MINI(30A)	-	1	-	-	-	----- EZD5,QZSL	
12	32106-Z5T-W00	HARNESS ASSY., SUB WIRE	-	1	-	-	1486541	----- QZSL	

E-40-7

OTHER PARTS(8)(MUFFLER)



Z1C0E4007B

Ref. L.O.N. (Relative ref. Number) F.R.T.
No. Description

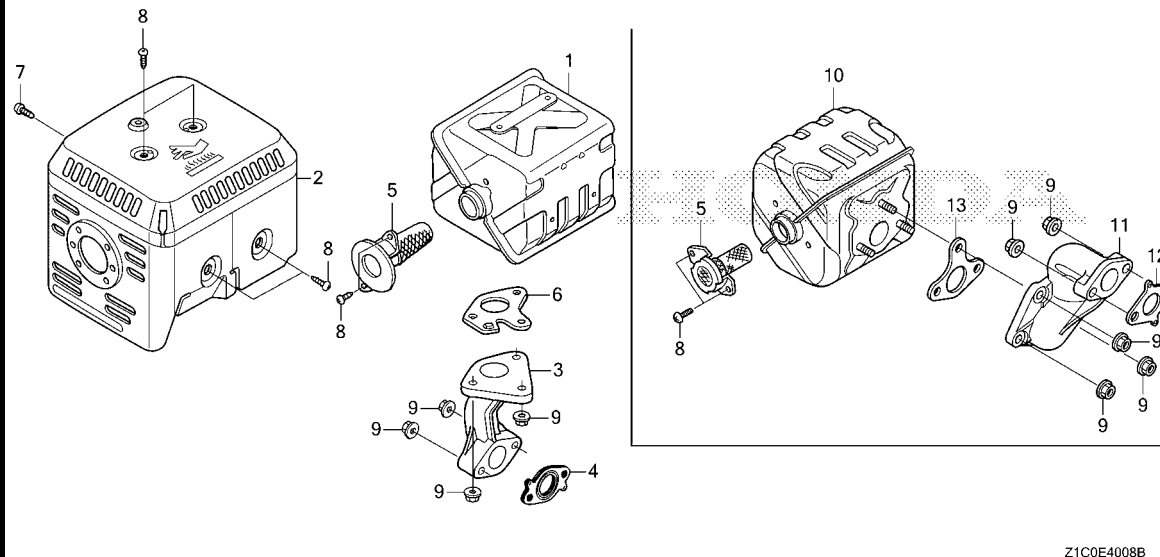
NO INFORMATION

Ref. No.	Part No.	Description	Reqd. QTY					Serial No.	Parts catalogue code
			GX 390 T1	GX 390 T2	GX 390 T2X	GX 390 UT2	GX 390 UT2X		
1	18310-ZB8-013	MUFFLER COMP.	-	1	-	-	-	----- VEP5	
2	18330-ZB8-003	PIPE COMP., EX.	-	1	-	-	-	----- VEP5	
3	18333-ZB7-800	GASKET, EX. PIPE	-	2	-	-	-	----- VEP5	
4	92101-08028-0A	BOLT, HEX., 8X28	-	2	-	-	-	----- VEP5	
5	94001-08000-0S	NUT, HEX., 8MM	-	2	-	-	-	----- VEP5	
6	18330-Z1C-950	PIPE COMP., EX.	-	1	-	-	-	----- LBD,QBD,QBL,QBT	
7	90304-KPH-700	NUT, HEX. CAP, 8MM	-	2	-	-	-	----- LBD,LBP,QBD,QBL,QBP,QBT	



E-40-8

OTHER PARTS(9)(MUFFLER)



Z1C0E4008B

Ref. L.O.N. (Relative ref. Number) F.R.T.
No. Description

NO INFORMATION

Ref. No.	Part No.	Description	Reqd. QTY					Serial No.	Parts catalogue code
			GX 390 T1	GX 390 T2	GX 390 T2X	GX 390 UT2	GX 390 UT2X		
1	18310-Z5T-010	MUFFLER COMP.	-	-	-	1	1	-----	LFU
2	18320-Z5T-000	PROTECTOR COMP., MUFFLER.....	-	-	-	1	1	-----	LFU
3	18331-Z5T-000	PIPE, EX.	-	-	-	1	1	-----	LFU
4	18333-Z1C-901	GASKET, EX. PIPE.....	-	-	-	1	1	-----	LFU
5	18350-Z5T-800	ARRESTER COMP., SPARK.....	-	1	-	1	1	-----	LFU,VSEP
6	18381-Z8S-801	GASKET, MUFFLER(ARRESTER) (THAI LEAKLESS)	-	-	-	1	1	-----	LFU
	18381-ZE2-W10	GASKET, MUFFLER(ARRESTER) (NIPPON LEAKLESS)	-	-	-	1	1	-----	LFU
7	90006-ZE2-000	SCREW, TAPPING, 6X10.....	-	-	-	1	1	-----	LFU
8	90050-ZE1-000	SCREW, TAPPING, 5X8.....	-	2	-	6	6	-----	LFU,VSEP
9	94050-08000	NUT, FLANGE, 8MM.....	-	5	-	5	5	-----	LFU,VSEP
10	18310-Z1C-E20	MUFFLER COMP.	-	1	-	-	-	-----	VSEP
11	18331-Z30-000	PIPE, EX.	-	1	-	-	-	-----	VSEP
12	18333-ZF6-W01	GASKET, EX. PIPE.....	-	1	-	-	-	-----	VSEP
13	18381-ZE2-801	GASKET, MUFFLER (NIPPON LEAKLESS)	-	1	-	-	-	-----	VSEP

2

PART NO. INDEX

Part Number	Page	Ref.	Part Number	Page	Ref.	Part Number	Page	Ref.	Part Number	Page	Ref.	Part Number	Page	Ref.
06000			60	1		82	1		13104-ZF6-811	86	2	14568-ZE1-000	93	7
			61	1		83	1			87	2		94	7
06160-Z1C-325	133	56	59	1		85	1		13104-ZF6-W00	86	2	14568-ZE3-790	93	7
			59	1		81	1	13011-Z1C-800	13104-ZF6-W01	86	2	14711-Z1C-800	94	8
			60	1		82	1		13111-Z5T-000	89	3	14711-Z1C-810	94	8
11000			59	1		85	1	13011-Z1C-901	13111-ZF6-W00	88	3	14711-Z5T-000	95	8
			60	1		81	1	13011-Z5R-004	13200-Z1C-000	89	4	14711-Z5T-800	94	8
11300-Z1C-000	67	1	61	1		82	1		13200-Z1C-305	89	4	14711-Z5T-900	94	8
11300-Z1C-010	67	1	59	1		83	1		13200-Z1C-900	89	4		95	8
11300-Z1C-600	67	1	60	1		81	1	13011-Z5T-003	13200-ZF6-000	89	4	14711-ZE3-000	94	8
11300-Z1C-601	67	1	61	1		83	1		13215-ZF6-003	89	5	14721-Z1C-890	95	9
11300-Z1C-790	77	1	59	1		85	1		13216-ZF6-003	89	5	14721-Z5T-000	95	9
11300-Z1C-800	72	15	60	1		81	1	13012-Z1C-800	13217-ZF6-003	89	5	14721-Z5T-800	95	9
	73	15	59	1		82	1		13218-ZF6-003	90	5	14721-Z5T-900	95	9
11300-Z1C-801	72	15	60	1		85	1	13012-Z1C-901	13310-Z1C-790	78	2	14721-ZE3-000	95	9
11300-Z1C-810	74	1	59	1		81	1	13012-Z5R-004	13310-Z1C-810	78	2	14721-ZE3-810	95	9
11300-Z1C-811	74	1	60	1		83	1		13310-Z1C-840	78	3	14721-ZK6-800	95	9
11300-Z1C-890	67	1	61	1		84	1		13310-Z1C-860	79	4	14721-ZK6-810	95	9
11300-Z1C-891	67	1	59	1		81	1	13012-Z5T-003	13310-Z1C-870	79	5	14751-Z1C-000	95	10
11300-Z5T-W00	72	15	60	1		83	1		13310-ZF6-D42	80	11	14771-Z8S-000	95	11
	76	19	60	1		85	1		13310-ZF6-W11	78	2		96	12
11300-Z5T-W10	72	15	50	1		82	1	13013-Z1C-800	13310-ZF6-W12	78	2	14771-ZE2-000	95	11
	73	15	51	2		85	1	13013-Z1C-901	13310-ZF6-W20	78	1	14773-Z8S-000	96	12
11300-Z5T-W80	72	15	51	3		81	1	13013-Z5R-004	13310-ZF6-W22	78	1	14773-ZE2-000	96	12
11300-Z8T-700	76	1	91	1		83	1		13310-ZF6-W41	78	3	14775-ZE2-010	96	13
11300-Z8T-701	76	1	50	1		84	1		13310-ZF6-W42	78	3		97	19
11300-Z8W-800	67	1	50	1		81	1	13013-Z5T-003	13310-ZF6-W62	79	4	14781-ZE2-000	96	14
11300-Z8W-801	67	1	50	1		83	1		13310-ZF6-W72	79	5	14791-Z1D-000	96	15
11300-ZE3-614	74	2	50	1		85	1		13310-ZF6-Y30	78	1		97	15
11300-ZE3-615	74	2	50	1		87	2	13101-Z1C-900	13310-ZF6-Y31	78	1	14791-ZE2-010	96	15
11300-ZE3-W00	74	1	50	1		88	2		13310-ZF6-Y32	78	1	14791-ZK6-880	97	15
11315-ZE3-700	76	2	50	1		85	2	13101-Z5T-000	13310-ZK6-602	78	2			
11381-Z5T-000	68	2	50	1		87	2		13310-ZK6-672	78	3	15000		
	74	3	52	4		88	2	13101-Z5T-800	13351-Z1C-800	79	6	15510-ZE2-043	61	2
	76	3	52	5		86	2	13101-ZF6-810	13351-Z1C-900	79	6	15510-ZE2-053	61	2
	77	2	58	24		87	2	13101-ZF6-811	13351-ZE3-010	79	6	15515-ZE3-701	66	23
11381-ZE3-801	67	2	53	5		86	2		14000			15532-KM1-000	162	1
	68	2	52	5		86	2	13101-ZF6-W00				15600-Z0T-810	69	4
	74	3	53	6		85	2	13101-ZF6-W01				15600-Z0T-820	68	3
11500-Z8T-610	230	1	53	6		87	2	13102-Z5T-000					73	21
11500-Z8T-611	230	1	53	6		87	2		14100-Z1C-790	97	18		74	4
11500-Z8T-612	230	1	53	6		87	2	13102-Z5T-800	14100-Z1C-801	91	2		74	4
11500-ZE3-611	230	1	53	6		87	2	13102-ZF6-810	14100-Z1C-810	91	2	15600-Z1C-000	69	4
11500-ZE3-613	230	1	57	18		86	2	13102-ZF6-811	14100-Z1C-950	91	2		74	5
11500-ZK3-800	230	1	57	17		87	2		14100-Z5T-810	91	2		77	3
11521-ZE2-800	230	2	57	17		86	2	13102-ZF6-W00	14100-Z5T-910	97	18	15620-ZE2-700	76	4
			58	22		86	2	13102-ZF6-W01	14100-Z5T-920	97	18	15625-Z0T-800	69	5
			58	23		85	2	13103-Z5T-000	14100-ZF6-L02	91	2		74	6
12000			53	7		87	2		14100-ZF6-W01	91	2		77	4
12000-Z1C-305	59	1				87	2	13103-Z5T-800	14410-Z1C-000	92	3	15625-ZE1-003	74	6
12000-Z1C-306	59	1				87	2	13103-ZF6-810	14410-ZK6-880	97	20	15721-Z1D-H00	58	25
12000-Z1C-316	59	1				86	2	13103-ZF6-811	14431-ZE2-010	92	4	15721-Z23-H60	159	15
12000-Z1C-405	59	1	81	1		87	2		14441-ZE2-000	92	5	15721-ZB4-000	250	1
12000-Z1C-406	59	1	82	1		86	2	13103-ZF6-W00	14451-Z4M-000	92	6	15721-ZBH-W00	159	14
12000-Z1C-407	59	1	85	1		85	2	13103-ZF6-W01				15721-ZE3-H00	53	8
12000-Z1C-408	59	1	81	1		85	2	13104-Z5T-000						
12000-Z1C-409	59	1	82	1		87	2		14451-ZE1-013	92	6			
12000-Z1C-Q20	59	1	83	1		87	2	13104-Z5T-800				16000		
12000-Z5T-405	59	1	81	1		87	2	13104-ZF6-810	14568-Z1C-801	93	7	16024-124-761	128	7
									14568-Z1C-810	93	7	16024-Z0T-841	114	6
												16024-Z5T-901	115	6



PART NO. INDEX

Part Number	Page	Ref.	Part Number	Page	Ref.	Part Number	Page	Ref.	Part Number	Page	Ref.	Part Number	Page	Ref.
16024-Z5T-901	134	6	16100-Z1C-W21	126	9	16141-Z0S-003	125	40				16271-ZE2-010	149	1
16024-ZE1-811	115	6	16100-Z1C-W31	115	9				16211-Z8T-W00	138	23		151	1
	126	6	16100-Z1C-WA1	116	9				16211-ZBH-700	129	14		154	1
	147	6	16100-Z1C-Y31	115	9				16211-ZF6-000	118	14		160	1
16024-ZH7-A20	140	6	16100-Z5T-781	115	9							16320-Z1C-890	183	1
16028-Z0T-841	115	7	16100-Z5T-801	115	9							16330-Z1C-890	183	2
16028-Z0V-005	146	2	16100-Z5T-901	115	9	16148-141-881	129	11				16350-Z1C-841	145	7
16028-Z5T-901	115	7		116	9		140	10	16212-Z1C-950	124	30	16350-Z1C-851	144	8
	134	7	16100-Z5T-911	116	9	16166-Z1C-801	117	11	16212-Z5T-000	124	30	16350-Z1C-851	144	8
	140	7	16100-Z5T-922	115	9	16166-Z1C-941	117	11				16350-Z1C-894	146	8
	142	7		116	9	16166-Z1C-952	117	11				16358-Z0V-882	183	3
16028-Z7E-E61	128	8	16100-Z5T-932	116	9	16166-Z1C-E21	147	10				16358-Z0V-892	183	3
	129	8	16100-Z5T-P72	116	9	16166-Z1C-EA1	147	10				16363-ZN4-A92	183	4
	137	7	16100-Z5T-U44	129	9	16166-Z1C-EA1	147	10				16364-Z1C-005	146	9
16028-ZA0-931	128	8	16100-Z5T-U86	129	9	16166-Z1C-H61	140	11				16380-Z1C-882	183	5
	137	7	16100-Z5T-W01	134	10	16166-Z1C-R61	117	11				16380-Z1C-892	183	5
16028-ZE0-005	115	7	16100-Z5T-W02	134	10	16166-Z1C-R62	117	11				16382-Z0V-892	183	6
	126	7	16100-Z5T-W11	134	10	16166-Z1C-WA1	117	11	16220-ZA0-702	119	15	16383-Z0V-892	183	7
	147	7	16100-Z5T-WA1	116	9	16166-Z5T-781	117	11				16384-Z0V-892	183	8
16044-Z1C-881	115	8	16100-ZBH-744	129	9	16166-Z5T-901	117	11				16385-Z0V-892	183	9
16044-Z5T-901	115	8	16100-ZBH-851	116	9		142	11				16386-Z0V-892	183	10
16044-Z5T-W01	134	8	16100-ZBH-W12	137	10	16166-Z5T-931	117	11				16387-Z0V-892	183	11
16044-Z5T-W11	134	8	16100-ZBH-W13	137	10	16166-Z5T-U41	129	12				16388-Z0V-892	183	12
16044-ZBH-W11	137	8	16100-ZBH-W22	137	10	16166-Z5T-W01	135	21				16389-Z0V-892	183	13
16044-ZE3-W20	115	8	16100-ZBH-WA1	129	9	16166-Z5T-W02	135	21				16390-Z0V-892	183	14
	126	8	16110-Z5T-W01	134	11	16166-Z5T-W11	135	21				16391-Z0V-892	183	15
	142	8	16110-Z5T-W02	134	11	16166-Z5T-WA1	117	11	16221-Z5T-000	119	16	16394-Z0V-892	183	16
16044-ZF6-U11	144	1	16110-Z5T-W11	134	11	16166-Z5T-WC1	117	11				16395-Z0V-892	183	17
16045-Z5T-W01	134	9	16110-ZBH-W12	137	11	16166-Z5T-WE1	129	12				16400-ZE2-704	130	26
	137	9	16110-ZBH-W13	137	11	16166-ZBH-W11	138	21				16480-Z0V-892	183	18
16100-Z1C-601	115	9	16110-ZBH-W22	137	11	16166-ZF6-005	129	12				16483-Z0V-892	183	19
16100-Z1C-651	115	9	16111-Z1C-H22	134	12	16166-ZF6-V00	117	11				16486-Z0V-892	183	20
16100-Z1C-741	129	9		137	12	16166-ZF6-W20	117	11				16500-Z1C-307	210	8
16100-Z1C-791	116	9	16111-Z5K-W21	137	12		126	11				16500-Z1C-800	209	6
16100-Z1C-801	115	9	16111-Z5T-W01	134	12	16172-Z1C-890	146	3				16500-Z1C-810	216	1
16100-Z1C-811	115	9	16112-Z5T-W01	134	13	16172-ZE3-W10	117	12				16500-Z1C-820	216	2
16100-Z1C-851	116	9		137	13		129	13				16500-Z1C-830	209	6
16100-Z1C-861	142	9	16113-Z5T-W01	134	14		140	12	16221-Z8T-000	138	26	16500-Z1C-840	216	1
16100-Z1C-871	140	8		137	14		144	3	16221-Z8T-800	138	26	16500-Z1C-850	216	2
16100-Z1C-881	116	9	16115-Z5T-W01	134	15		145	2	16221-ZF6-800	119	16	16500-Z1C-950	221	1
16100-Z1C-891	116	9		137	15	16173-001-004	118	13				16500-Z1C-960	221	2
16100-Z1C-901	116	9	16116-Z5T-W01	135	16		135	22				16500-Z1C-970	221	2
16100-Z1C-911	116	9		137	16		140	13	16223-ZE3-W00	119	17	16500-Z1C-971	221	2
16100-Z1C-922	129	9	16117-Z5T-W01	135	17		142	12				16500-Z1C-971	221	2
16100-Z1C-923	129	9		137	17		247	1				16500-Z1C-H00	220	1
16100-Z1C-931	116	9	16118-Z5T-W01	135	18	16176-Z2G-D51	147	12	16230-ZE3-702	129	17	16500-Z1C-H41	220	15
16100-Z1C-941	116	9		137	18	16178-ZJ0-911	135	23				16500-Z1C-R60	210	7
16100-Z1C-952	116	9	16119-Z5T-W01	135	19		138	22	16252-ZA1-010	140	17	16500-Z1C-Y60	210	7
16100-Z1C-962	116	9		137	19	16199-ZA0-930	245	90	16260-ZE2-723	129	18	16500-Z5T-000	209	5
16100-Z1C-D41	129	9	16124-Z5T-W01	135	20	16211-Z1C-950	118	14	16260-ZE3-D22	129	18	16500-Z5T-800	210	7
16100-Z1C-D52	129	9		138	20	16211-Z1C-R60	125	39	16261-ZE2-702	129	19	16500-Z5T-810	210	7
16100-Z1C-D53	129	9	16124-ZE0-005	117	10	16211-Z5T-000	118	14	16262-ZE2-711	130	20	16500-Z5T-830	209	6
16100-Z1C-E22	147	8		126	10		140	14	16263-ZA0-000	130	21	16500-Z5T-860	215	37
16100-Z1C-EA1	147	8		129	10		142	13	16263-ZE3-790	219	1	16500-Z5T-870	210	8
16100-Z1C-H41	140	8		140	9		142	13	16264-ZE2-701	130	22	16500-Z5T-880	215	30
16100-Z1C-R61	116	9		142	10		144	4	16264-ZE2-780	141	33	16500-Z5T-890	215	30
16100-Z1C-R62	116	9		144	2		145	3	16265-ZE2-721	130	23	16500-Z5T-911	218	1
16100-Z1C-V01	115	9		145	1		146	4	16268-893-000	223	1	16500-Z5T-950	209	5
16100-Z1C-V51	115	9		147	9	16211-Z5T-W00	135	24	16268-ZE2-721	130	24	16500-Z5T-U40	215	37
									16269-ZA0-800	130	25	16500-ZE2-703	58	20

PART NO. INDEX

Part Number	Page	Ref.	Part Number	Page	Ref.	Part Number	Page	Ref.	Part Number	Page	Ref.	Part Number	Page	Ref.	Part Number	Page	Ref.
16562-ZE3-700	209	4		17		16910-GB2-005	179	23	17218-ZE3-000	149	3	17510-ZE3-030ZB	174	3			
	218	5		221	16	16910-ZE8-015	179	23		154	3	17532-ZK6-881	179	27			
16563-Z1C-890	146	10	16584-ZE3-790	219	9	16950-ZB4-015	247	2		155	2	17534-ZK6-881	179	28			
16563-ZF6-U10	219	6	16585-ZE3-730	218	7	16952-ZB4-005	247	3		160	3	17536-ZK6-880	179	29			
16570-Z1C-810	216	5	16586-ZE3-730	218	8	16953-ZE1-712	140	21	17219-ZE3-840	160	4	17238-ZE3-H00	151	11	17620-899-013	248	8
16570-Z1C-820	216	6	16588-Z5T-000	215	38	16953-ZE1-812	119	19	17220-Z23-S30	158	2	17238-ZE7-710	159	10	17620-899-800	248	8
	221	8	16590-ZE2-772	140	19		126	17	17220-ZB4-013	250	4	17238-ZG9-M00	159	9	17620-Z0T-813	175	4
16570-Z1C-821	221	8	16590-ZE2-812	124	33		135	31	17220-ZBH-W00	158	2	17239-Z1C-H00	162	8		180	4
16570-ZE3-710	215	30		142	15		142	18	17222-Z23-F10	158	3	17239-ZE1-000	150	8	17620-Z0T-814	180	4
16570-ZE3-721	210	8	16591-ZF6-H00	152	16	16954-ZE1-812	120	20	17222-Z23-H60	158	3		151	4	17620-Z0T-820	177	13
16570-ZE3-W00	209	5	16592-883-310	212	16		126	18	17222-ZC2-000	250	5		153	3	17620-Z1T-800	175	4
16570-ZE3-W10	209	7	16592-Z1C-810	212	16		135	32	17223-Z23-000	158	4		154	7		180	4
16570-ZE3-W20	209	7		217	14		140	22	17223-Z23-S30	158	5		156	7	17620-Z4H-020	177	13
16570-ZK6-800	219	7		221	17		142	19	17223-ZBH-000	158	5		197	16		178	13
16571-898-000	219	8	16593-ZG1-700	220	9	16955-ZE1-000	173	2	17223-ZBH-W00	158	5	17239-ZE3-840	160	8	17620-Z4H-030	178	13
16571-Z1C-800	210	9	16594-883-010	124	34	16955-ZE1-010	173	2	17223-ZBH-W01	158	5		161	7	17620-Z4H-900	178	13
	221	9		142	16		174	2	17228-Z5T-000	130	25	17250-Z1C-810	153	4		181	15
16571-Z1C-950	221	8		213	17		180	2		133	55	17252-899-000	250	9	17620-Z4H-910	178	13
16571-Z1C-R60	210	9		217	15	16955-ZE2-H21	140	23		147	18	17252-Z1C-H40	162	9		181	15
16571-ZE3-W00	210	9		222	18	16956-ZE1-811	120	21	17229-Z23-H60	158	6	17316-611-000	57	19	17620-Z4H-911	177	13
16574-ZE1-000	211	10		245	63		126	19	17229-ZBH-W00	159	6	17367-413-690	250	10	17620-Z4H-920	178	13
	216	7	16597-Z1D-H00	162	3		135	33	17230-Z1C-780	161	3	17402-ZE3-810	151	5		181	15
	221	10	16597-ZE2-780	152	17		141	24	17230-ZE3-000	152	14	17403-Z1C-900	152	22	17630-Z1C-003	179	17
16575-Z1C-810	211	11	16599-ZG1-M10	215	27		142	20		154	4	17410-Z1C-780	161	8	17630-Z5T-003	180	5
	216	8	16610-ZE1-000	119	18	16957-ZE1-812	121	22	17230-ZE3-811	151	2	17410-Z1C-H41	162	10	17630-Z8V-003	247	7
	221	11		126	16		126	20	17230-ZE3-841	160	5	17410-Z5T-020	157	8		248	7
16575-ZE2-W00	211	11		144	9		135	34	17231-899-000	250	6	17410-Z5T-W00	157	8	17631-899-000	248	9
16576-891-000	124	32	16610-ZE1-810	125	43		141	25	17231-Z1C-900	151	2	17410-ZE2-030	153	5	17631-Z0T-801	175	5
	142	14	16610-ZE2-780	140	20		142	21	17231-Z23-H60	159	16	17410-ZE3-010	154	8		178	15
	211	12	16611-ZE2-711	130	27	16958-397-771	247	4	17231-Z5T-000	155	3	17410-ZE3-020	151	6		179	15
	215	32	16611-ZE3-D21	133	53	16958-Z1T-004	183	21		162	4	17410-ZE3-841	160	9		180	6
	216	9	16612-Z5T-W01	135	28	16959-471-831	247	5	17231-ZBH-000	159	7	17410-ZH9-N00	150	9		181	6
	220	6		138	28	16959-Z5T-901	124	31	17231-ZBH-W01	159	7	17410-ZH9-N01	150	9	17631-Z0T-812	180	6
	221	12	16613-893-000	130	28		135	35	17231-ZE2-000	153	1	17417-Z5T-000	157	9	17631-Z1T-800	175	5
16578-ZE1-000	211	13	16615-893-000	131	29		141	26	17231-ZE3-W01	149	4		161	9		179	15
	216	10	16615-ZE1-010	125	44		142	22	17232-891-000	149	5	17420-Z0T-800	153	6		180	6
	221	13	16615-ZE2-810	125	35	16960-YA0-015	181	18		154	5	17420-ZE3-810	151	7		181	6
16580-Z1C-800	211	14		142	17	16967-GA6-671	247	6		155	4	17470-ZE3-842	160	10	17636-Z4H-010	179	19
16580-Z1C-810	216	11	16617-890-010	125	45	16967-ZE0-811	121	23		160	6	17475-ZE3-841	160	11		181	14
16580-Z1C-820	217	12	16617-ZE3-H00	141	34		135	36		161	4	17476-ZE3-841	160	12	17670-899-000	248	10
16580-Z1C-830	211	14	16617-ZE3-J10	220	18		141	27	17233-896-701	165	17	17500-Z5T-810ZB	180	3	17670-Z1C-R60	177	12
16580-Z1C-840	216	11	16620-Z1C-000	147	17		142	23		170	14	17500-Z5T-810ZC	180	3	17672-899-000	248	10
16580-Z1C-850	217	12	16646-Z5T-W01	135	29	16981-ZE2-P50	211	13	17233-Z1C-780	161	5	17500-Z5T-810ZE	180	3	17672-Z4H-000	177	12
16580-Z1C-950	221	14		138	29		215	39	17233-Z23-H60	159	8	17500-Z5T-811ZB	180	3		181	7
16580-Z1C-960	221	15		135	30				17233-ZBH-W00	159	8	17500-Z5T-811ZC	180	3	17672-ZE2-W01	175	6
16580-Z1C-961	221	15	16648-Z5T-W01	138	30	17000			17235-899-000	250	7	17500-ZE3-813ZA	179	16		181	8
16580-Z1C-970	221	15		185	1				17235-Z1C-790	156	5	17500-ZE3-813ZC	179	16	17701-Z5S-U32	179	30
16580-Z1C-971	221	15	16700-Z0M-782	185	1	17210-Z1C-781	161	1	17235-Z1C-H40	162	5	17500-ZE3-813ZF	179	16	17701-Z5S-U33	179	30
16580-Z5T-000	211	14	16711-Z1C-R60	185	2	17210-Z5T-W00	155	1	17235-Z5T-000	156	5	17505-ZB2-003	247	7	17841-Z1C-810	217	16
	219	16	16731-ZE2-003	106	1	17210-ZE3-010	149	2	17235-Z5T-800	156	5		248	7		221	4
	211	14		109	14		154	2	17235-ZH9-N00	149	6	17510-Z1C-810ZA	174	3	17850-ZD1-E30	223	2
16580-Z5T-850	211	14		110	1		155	1	17235-ZH9-N01	149	6	17510-Z1C-820ZA	175	3			
16581-ZE3-W00	211	14	16755-Z5T-W00	200	1		160	2	17236-899-000	250	8	17510-Z5T-000ZA	175	3	18000		
16582-883-300	152	15	16852-Z1C-R60	179	20		158	1	17238-Z1C-H40	162	6	17510-Z5T-000ZB	175	3			
16582-889-U20	162	2	16853-Z1C-R60	185	3	17211-899-000	158	1	17238-Z1C-H40	162	6	17510-Z5T-000ZC	175	3	18310-Z1C-810	166	1
	245	82	16854-ZH8-000	173	1		250	2	17238-ZBH-W00	159	9	17510-Z5T-800ZA	175	3	18310-Z1C-811	166	1
16584-883-300	212	15		180	1	17211-ZBH-W00	158	1	17238-ZE2-310	150	7	17510-Z5T-800ZB	175	3	18310-Z1C-842	251	2
	217	13		249	24	17212-Z1C-900	152	21		151	3	17510-ZE3-020ZA	174	3	18310-Z1C-E20	258	10
	218	6	16860-Z1C-890	146	11	17212-ZB4-003	250	3		153	2	17510-ZE3-020ZB	174	3	18310-Z1C-E20	258	10
	220	8	16882-Z1C-R60	185	4	17218-Z1C-780	161	2		154	6	17510-ZE3-030ZA	174	3	18310-Z5T-010	167	2



PART NO. INDEX

Part Number	Page	Ref.	Part Number	Page	Ref.	Part Number	Page	Ref.	Part Number	Page	Ref.	Part Number	Page	Ref.						
18310-Z5T-010	258	1	18350-Z5T-800	169	7	19610-Z5T-W00ZB	112	1	28400-ZE3-W02ZB	98	1	30500-Z1C-901	199	1	31206-PH9-004	207	6			
18310-Z8T-010	172	1		258	5	19610-ZE3-010ZB	106	2	28400-ZE3-W02ZH	98	1	30500-Z1C-911	199	1	31206-ZE3-003	201	2			
18310-Z8W-V61	251	1	18355-ZB4-630	171	34	19610-ZE3-010ZL	106	2	28400-ZE3-W02ZP	98	1	30500-Z5T-003	192	1	31207-ZE3-003	201	3			
18310-Z8W-V62	251	1		251	9	19610-ZE3-700ZB	106	2	28410-Z1C-801	99	2		196	1	31207-ZE9-H01	206	6			
18310-ZB8-013	257	1	18355-ZE2-W00	164	8	19610-ZE3-700ZK	106	2	28410-Z5T-W01ZB	105	2		198	2	31207-ZG4-611	207	7			
18310-ZE2-V61	251	1		245	79	19610-ZE3-700ZL	106	2	28410-Z5T-W02ZA	105	2	30500-Z5T-004	192	1	31208-Z5T-W00	206	7			
18310-ZE2-W61	163	1	18381-Z1C-801	164	10	19619-ZL8-300	112	2	28410-Z5T-W02ZB	105	2		196	1	31208-ZE3-003	201	3			
18320-Z5T-000	167	3		166	4		165	35	28410-ZE3-W01ZB	99	2		198	2	31208-ZG4-801	207	8			
	258	2		169	9		171	36	28410-ZE3-W01ZH	99	2		192	1	31209-PH9-004	206	8			
18320-Z5T-800	167	3		172	7	19620-ZE3-811	109	12	28410-ZE3-W01ZP	99	2	30500-Z5T-801	192	1	31210-PH9-004	206	9			
18320-ZC2-000	251	3	18381-Z8S-801	171	37	19620-ZE3-L60ZA	109	12	28411-Z5T-W01	105	3	30500-ZF6-W02	189	1		207	9			
18320-ZE2-W61	163	2		258	6	19630-Z5T-W00	215	36	28421-Z5T-W01	105	4	30506-KV3-771	253	11	31210-ZE3-013	201	4			
18320-ZE2-W62	163	2	18381-ZE2-800	164	10	19630-ZBH-W10	215	34	28421-ZE3-W01	100	3	30510-ZK6-003	253	12	31210-ZE3-023	201	4			
18320-ZE3-H01	172	2		169	9	19631-Z1C-810	110	4	28422-ZE2-W01	100	4	30561-ZB4-000	243	31	202	4				
18323-Z5T-W41	167	1	18381-ZE2-801	169	9	19631-Z1C-820	110	4		105	5	30595-Z5T-W01	196	2	30596-Z5T-W00	196	3	31210-ZE3-033	202	4
18323-ZE3-W40	163	3		258	13	19631-Z5T-000	107	3	28441-ZE2-W01	101	5	30600-ZE1-013	190	2	31211-PH9-004	206	10			
18325-ZB4-000	251	4	18381-ZE2-W10	164	9		112	3		105	6	30700-Z1C-013	193	2		207	10			
18325-ZE3-H00	172	3		171	37	19631-ZE3-W00	107	3	28442-ZE2-W01	101	6		199	2	31211-ZE2-003	202	5			
18329-ZB4-000	251	5		258	6	19632-ZBH-W00	215	34		105	7	30700-Z1C-801	190	2	31212-PH9-004	206	11			
18330-Z1C-950	257	6	18431-Z0T-800	166	5	19718-ZE3-H60	179	33	28443-ZE2-W01	101	7	30700-Z1C-803	190	2		207	11			
18330-ZB8-003	257	2	18433-Z5T-000	165	18		181	17		105	8		193	2	31212-ZE3-003	202	6			
18330-ZE2-000	172	4		170	16				28444-ZE2-W01	101	8	30700-Z1C-811	189	2	31213-679-004	207	12			
18330-ZE2-W00	163	4	18433-ZF6-W40	165	18	22000				105	9		196	4	31213-P64-N01	206	12			
18330-ZE3-700	165	32	18434-Z5T-000	165	19				28450-ZE3-W11	186	2	30700-Z1C-813	189	2	31213-ZE2-003	203	7			
	171	32		170	17	22103-ZE3-610	230	3	28451-ZE3-W01	187	3		193	2	31214-PH9-004	206	13			
18330-ZE3-710	165	32	18434-ZF6-W40	165	19	22103-ZE3-W00	230	3	28461-Z5T-003	103	13		196	4		207	13			
	171	32	18436-ZH8-W40	165	20	22411-766-000	253	2		105	10		198	3	31215-ZE2-003	203	8			
18331-Z1C-800	166	2	18436-ZH8-W41	165	20				28461-Z5T-305	103	13		253	13	31217-Z0A-003	206	14			
18331-Z30-000	258	11		170	18	23000			28461-ZE2-W02	102	9	30700-Z1C-821	189	2	31218-PH9-004	206	15			
18331-Z5T-000	168	4	18437-Z5T-000	165	34				28461-ZE2-W03	101	9		193	2	31218-ZE3-003	203	9			
	258	3		171	19	23220-ZE3-610	230	4		102	9		199	2	31218-ZG4-801	207	14			
18331-ZE3-810	163	5	18437-ZF6-W40	165	21	23222-ZE3-W00	230	5	28462-Z1C-801	102	10	30700-ZE1-013	189	2	31219-Z5T-W00	206	16			
	241	1	18438-ZF6-W40	165	22	23341-Z1C-960	230	5	28462-ZE3-W01	102	10				31219-ZE2-003	203	10			
18331-ZE3-811	163	5		171	20	23411-Z1C-000	230	3		105	11	31000			31219-ZE3-003	205	21			
	170	15	18466-ZH8-W40	165	23	23411-Z1C-950	230	3	28463-Z5T-003	104	14				31219-ZG4-801	207	15			
	241	1		171	21	23411-Z1C-960	230	3		105	12	31100-Z1C-800	187	4	31220-PH9-004	206	17			
18333-Z1C-801	163	6	18545-Z1C-890	169	7	23710-ZE3-610	231	6	28463-Z5T-013	104	14	31100-ZE3-701	187	4		207	16			
	172	5			23710-ZF6-Y30	231	6		105	12	31100-ZE3-712	187	5	31222-ZE3-791	203	11				
	245	91	19000		23710-ZK3-800	231	6	28465-Z5T-W01	105	13	31100-ZE3-722	187	6	31223-PA0-006	206	18				
18333-Z1C-901	164	7									31100-ZK6-000	188	13		207	17				
	166	3	19511-ZE3-000	186	1	28000			30000			31110-Z5T-000	187	4	31231-PH9-004	206	19			
	168	5	19511-ZE3-790	253	1	28400-Z1C-801ZA	98	1	30201-PH9-004	206	1	31110-Z5T-810	187	5		207	18			
	245	78	19511-ZK6-880	186	1	28400-Z1C-802ZA	98	1		207	1	31110-Z5T-820	187	6	31231-ZE2-003	203	12			
	258	4	19512-ZE2-000	187	10	28400-Z1C-811	99	1	30202-PZ1-003	206	2	31110-Z5T-830	188	13	31232-ZE3-003	203	13			
18333-ZB4-800	251	6	19526-ZE3-H60	66	26	28400-Z5T-003ZA	99	1		207	2	31110-Z5T-840	188	11	31233-PH9-004	206	20			
18333-ZB7-800	257	3		245	86	28400-Z5T-003ZB	99	1	30310-ZK6-013	198	1	31110-Z5T-860	188	11		207	19			
18333-ZE3-800	163	6	19610-Z1C-800ZA	110	2	28400-Z5T-013ZA	99	1	30401-HE0-000	253	15	31110-Z5T-W00	187	9	31235-ZG4-802	207	20			
18333-ZE3-801	172	5	19610-Z1C-820ZA	110	3	28400-Z5T-013ZB	98	1	30410-ZK6-013	253	16	31110-Z5T-W41	188	14	31500-MN4-678	243	32			
18333-ZF6-W01	164	7	19610-Z1C-840ZA	110	3		99	1	30421-Z5T-W00	112	4	31110-ZF6-N50	188	11	31510-ZE1-003	190	3			
	166	3	19610-Z1C-890ZA	107	2	28400-Z5T-305ZA	99	1	30500-Z1C-003	189	1	31110-ZF6-V10	187	6		194	7			
	168	5	19610-Z1C-890ZB	107	2	28400-Z5T-305ZB	99	1	30500-Z1C-013	189	1	31161-ZE2-000	66	17	31510-ZE1-811	190	3			
	241	10	19610-Z5T-000ZA	107	2	28400-Z5T-003ZC	99	1	30500-Z1C-023	189	1	31195-ZC2-800	253	3		194	7			
	258	12	19610-Z5T-000ZB	106	2	28400-Z5T-W01ZB	105	1	30500-Z1C-801	191	14	31200-Z5T-W01	206	3		190	4			
18333-ZK6-Y00	168	5	19610-Z5T-800ZA	107	2	28400-Z5T-W02ZB	105	1	30500-Z1C-802	191	14	31200-ZG4-612	207	3	31510-ZE2-811	190	4			
	172	5	19610-Z5T-800ZC	107	2	28400-Z5T-W03ZA	105	1	30500-Z1C-812	192	1	31203-PH9-004	206	4		195	13			
	253	17	19610-Z5T-810ZA	107	2	28400-Z5T-W03ZB	105	1	30500-Z1C-821	192	1	31203-PN4-003	207	4	31510-ZE2-P31	195	13			
18336-ZE3-000	169	6	19610-Z5T-810ZB	107	2	28400-ZE3-W01ZB	98	1	30500-Z1C-821	192	1	31204-Z2E-003	206	5	31511-Z5T-W00	196	5			
	172	6	19610-Z5T-W00ZA	112	1	28400-ZE3-W01ZH	98	1	30500-Z1C-831	199	1	31204-ZA0-003	201	1	31511-Z5T-W10	197	20			
						28400-ZE3-W01ZP	98	1	30500-Z1C-841	199	1	31204-ZG4-802	207	5	31511-ZB4-000	252	1			

PART NO. INDEX

Part Number	Page	Ref.	Part Number	Page	Ref.	Part Number	Page	Ref.	Part Number	Page	Ref.	Part Number	Page	Ref.	Part Number	Page	Ref.	
31511-ZE2-W00	195	15	31712-Z5T-W00	228	4		256	2	35120-Z5T-003	108	10	50365-ZD1-E30ZB	252	11			235	30
	198	4		244	59	32902-892-003	225	9		245	93	50375-ZD1-E30ZA	252	12			245	80
31511-ZE3-000	190	5	31713-Z5T-W01	228	5				35124-Z0T-810	110	7	50375-ZD1-E30ZB	252	12	87520-ZH8-000		234	20
	195	8		244	60	34000			35129-Z1C-003	111	12						245	76
	198	5	31750-769-003	253	18				35480-Z5T-W01	66	20	53000			87521-Z1C-810		236	3
31512-880-810	252	2	31750-769-751	245	64	34150-ZH7-003	61	4	35480-ZF6-003	66	16				87521-Z1C-820		236	3
31512-Z5T-W00	196	6	31750-Z0A-811	245	64		225	10				53149-964-003	131	31	87521-Z1C-950		236	3
31512-ZE2-000	190	6	31750-Z2E-803	245	64	34150-ZH7-013	61	4	36000						87521-Z5T-000		234	15
	193	3				34150-ZH7-023	61	4				68000					242	19
	196	7	32000				225	10	36100-ZF6-P81	108	8				87521-ZF6-W03		232	2
	198	6				34750-Z1C-W51	200	2	36100-ZF6-P82	108	8	68325-899-000	242	15	87521-ZF6-W04		234	15
	199	3	32105-ZJ1-800	256	1	34750-Z5T-U01	200	2	36101-ZE2-701	190	8	68325-ZC2-000	242	14			242	19
31512-ZE8-000	195	18	32106-Z5T-W00	256	12	34750-Z5T-U22	200	2	36101-ZE3-800	190	8				87522-883-660		243	48
31513-634-000	252	3	32108-ZE3-790	253	19	34750-Z5T-U51	200	2	36103-ZE1-000	107	5	76000			87522-Z0T-800		232	3
31521-880-000	252	4	32110-Z1C-800	193	4	34750-Z5T-V01	200	2	36106-892-003	245	67						234	14
31550-899-000	252	5	32110-Z5K-000	193	4	34750-Z5T-V02	200	2	36110-ZB4-702	245	68	76122-952-000	242	16			235	20
31600-ZE2-861	253	18		194	4	34750-Z5T-V11	200	2	36135-ZF6-D41	131	30						241	3
31610-Z5T-803ZA	224	1		198	9	34750-Z5T-V12	200	2		245	69	81000			87522-Z0T-810		232	3
31610-Z5T-811ZA	224	2	32110-Z5K-800	193	4	34750-Z5T-W31	200	2	36160-ZB4-013	223	3						234	20
31610-Z5T-811ZB	224	2		198	9	34750-Z5T-W32	200	2	36170-ZB4-013	243	38	81329-567-020	107	6	87522-Z0T-820		236	4
31610-Z5T-821ZA	224	2	32110-Z5K-810	193	4	34750-Z5T-W33	200	2	36215-ZC2-851	253	6				87522-Z0V-880		235	31
31610-Z5T-821ZB	224	2		198	9	34750-Z5T-W81	200	2				83000			87522-Z0V-890		235	31
31610-Z5T-831ZA	224	2	32110-Z5K-820	193	4	34750-Z5T-W82	200	2	37000						87522-ZK7-800		235	36
31610-Z5T-831ZB	224	2		198	9	34908-GE0-701	254	21				83501-ZF1-000	237	1	87524-Z0S-800		232	4
31610-Z5T-841ZA	224	2	32110-Z5T-000	193	4				37150-Z5T-W01	228	11				87524-Z0S-801		232	4
31610-Z5T-841ZB	224	2	32110-Z5T-810	193	4	35000			37570-ZA0-801	254	22	87000			87524-Z0T-800		232	4
31610-Z5T-851ZB	224	2	32110-Z5T-820	193	4				37573-ZA0-801	254	23				87526-ZH8-000		234	16
31610-Z5T-W00	228	1	32110-Z5T-U00	197	19	35100-766-013	253	4				87114-ZH7-000	233	12			245	77
31610-Z5T-W50	228	1	32110-Z5T-W00	197	19	35100-768-S01	254	28	38000						87528-898-620		242	20
31610-ZE3-812ZD	224	2	32110-Z5T-W21	197	19	35100-Z5T-811	225	11							87528-Z0T-800		233	9
31610-ZE3-W13ZE	224	1	32110-ZBH-W00	196	9		254	29	38216-Z2E-003	228	12	87114-ZH7-821	233	13	87528-Z2E-800		234	18
31610-ZE3-W14ZE	224	1	32110-ZBH-W01	196	9	35100-Z5T-821	225	11		243	39						235	28
31612-ZE2-003	224	3	32110-ZBH-W20	196	9	35100-Z5T-831	225	11		256	6	87114-ZH7-840	233	13			244	61
31614-Z5T-W00	228	2	32110-ZBH-W30	196	9	35100-Z5T-841	225	11	38220-ZE1-000	243	40	87114-ZH7-860	234	13	87528-Z4M-000		233	9
31614-Z5T-W10	228	2	32110-ZE2-860	254	35	35100-Z5T-W01	228	8	38240-VA3-900	225	13	87117-Z2E-800	228	13			245	94
31614-ZE2-003	225	4	32110-ZE2-W00	254	36		243	35		243	41				87528-Z5T-000		233	9
31615-ZE3-003ZA	225	5	32111-Z5T-W00	197	17	35100-Z5T-W51	228	8	38240-ZE2-840	225	13						245	94
31615-ZE3-003ZE	225	5	32115-Z5T-W00	66	19	35100-Z5T-W71	256	3	38250-898-000	243	42	87117-Z5T-W00	256	9	87528-Z5T-W00		235	38
31620-ZG5-033	227	27	32127-738-700	225	7	35100-Z5T-W82	256	3	38250-ZA8-701	225	14	87124-Z0T-800	236	2	87528-ZB2-630		246	100
	254	37		245	65	35100-ZB4-023	241	12	38251-898-000	243	43	87135-ZE2-020	232	1	87528-ZE2-810		233	9
31630-Z1C-003	195	16		254	26	35100-ZE2-023	225	11	38252-898-000	243	44						236	5
	198	8	32130-ZE1-000	243	34	35100-ZE2-033	225	11	38253-898-000	243	45	87501-Z5T-W00	228	14	87528-ZF6-W40		233	9
31630-Z1C-801	198	8	32172-GJ1-003	253	20	35110-736-612	253	5	38254-898-000	243	46	87516-Z0S-800	232	3	87528-ZH7-000		233	9
31630-Z5T-W01	196	8	32195-Z1C-000	199	4	35110-Z5T-W01	228	9	38306-KK4-000	240	1				87529-Z4S-820		225	15
31630-Z5T-W11	196	8	32197-ZE1-003	225	8		243	36	38689-680-960	141	28				87529-Z4T-840		225	15
31630-Z5T-W21	197	21	32197-ZH8-003	254	27		256	4				87516-Z0S-810	234	14	87529-ZE2-812		225	15
31630-Z5T-W31	197	21	32343-892-003	218	9	35110-Z5T-W11	228	10	39000						87531-Z0T-800		236	6
31630-ZE1-003	190	7		245	66		243	37				87516-Z0T-800	232	8	87531-Z1C-950		236	6
31630-ZE1-013	190	7	32346-Z5T-W00	228	6		256	5	39700-Z5T-W01	229	25				87531-Z5T-W00		235	22
	195	11	32346-Z5T-W10	228	6	35111-880-013	225	12		256	7				87532-ZB4-H50		232	6
31630-ZE2-842	195	11	32410-ZB4-620	252	6		241	13				87516-Z4H-000	232	8			241	9
31630-ZE2-861	195	13	32411-Z53-000	252	7		254	30	40000			87516-Z4H-010	233	8	87532-ZH7-000		233	10
	198	7	32430-ZB4-620	252	8	35115-768-S01	254	31									245	95
31630-ZF6-U01	198	7	32600-ZR2-K30	252	8	35120-Z0D-V81	107	4	40215-ZE3-H00	253	7				87532-ZH8-810		232	6
31700-124-008	225	6	32601-SK7-900	252	9		241	2				87516-Z4H-800	242	18			233	12
	254	25	32602-SK7-900	252	10	35120-Z0V-811	110	5	50000			87516-Z4H-801	243	29			234	17
31710-ZS9-A02	245	92	32612-Z5T-W00	228	7	35120-Z0V-821	110	6				87516-Z4H-810	232	8			241	4
31711-Z5T-W00	228	3	32823-ZV5-003	196	10	35120-Z1C-003	111	11	50319-ZB2-000	248	11	87516-ZK6-800	245	73	87532-ZH8-W40		233	10
	244	58	32824-ZV5-003	196	11	35120-Z1C-801	111	13	50365-ZD1-E30ZA	252	11	87519-Z4H-000	233	8			245	95



PART NO. INDEX

Part Number	Page	Ref.	Part Number	Page	Ref.	Part Number	Page	Ref.	Part Number	Page	Ref.	Part Number	Page	Ref.	Part Number	Page	Ref.
87532-ZK7-800	235	34	89219-805-000	237	8		196	13	90401-Z0T-800	110	10	90854-ZB2-000	131	38			
87533-ZC0-630	242	21		240	9		198	11	90401-Z1C-791	80	12		138	34			
87534-ZE1-841	235	24	89220-ZE3-L60	240	10		213	18	90413-ZK6-880	97	21	90854-ZB3-000	131	38			
87535-ZE1-841	235	25					218	10	90431-ZE2-700	131	33		159	17			
87539-898-620	242	22	90000				219	10	90432-ZE2-700	131	34		179	24			
87539-Z0J-000	234	16					220	10	90433-ZE2-700	131	35		244	57			
	243	30	90001-Z0T-800	103	12		223	4	90050-ZE3-H00	172	9	90855-ZB4-000	243	26			
87539-Z0J-800	245	83	90001-Z0V-800	153	7		225	16	90050-ZH8-W40	165	25	90899-422-610	151	12			
87539-Z0J-810	243	30	90001-Z1C-950	54	9		228	15		171	23		162	13			
87543-ZC2-850	245	70	90001-ZE8-000	90	6		242	24	90055-ZE1-000	165	14						
87565-735-J10	254	38	90001-ZF6-003	90	6		243	24		16							
87565-Z5T-W00	235	23	90002-Z0T-800	251	10		254	24		166	6	91000					
87565-ZB4-A00	242	23	90002-Z1C-950	56	14	90013-Z0T-810	61	5	90473-ZE3-010	171	24	91001-ZF6-003	80	10			
87565-ZE2-000	235	27	90002-Z1D-H00	162	11		110	8	90473-ZE3-790	188	12	91001-ZF6-013	79	10			
87594-Z5T-W00	229	24		255	41		213	18	90501-898-000	243	25		80	10			
87594-ZB4-A00	235	26	90002-Z5T-W00	217	5		217	17	90503-898-000	248	12	91002-ZG4-801	207	21			
	245	96	90002-ZE2-U91	171	35		222	19	90534-706-010	79	8	91004-KZR-602	65	15			
87602-Z0T-800	236	7	90003-Z2E-000	112	6	90014-952-000	198	12		244	49		72	13			
87602-Z0V-890	235	32	90003-Z5T-W00	112	7	90014-Z1C-800	55	10	90601-Z5T-W00	228	17		75	14			
87602-Z1C-780	235	35	90003-ZE3-600	241	5	90014-Z1C-810	55	10	90601-ZE1-000	66	25		76	17			
87602-Z1C-790	235	33	90004-Z5T-000	109	11	90014-Z5T-000	55	10		245	88	91009-KJ1-003	75	11			
87602-Z1C-800	236	7	90004-ZE2-W01	103	11	90014-ZE2-000	55	10	90601-ZE3-000	90	7		231	8			
87602-Z1C-950	236	8		105	14	90014-ZE6-000	191	11	90602-ZE1-000	70	8	91201-890-003	231	9			
87602-Z5T-W00	235	21	90005-ZM3-000	159	11		195	12		75	9	91201-Z1C-003	62	8			
87602-ZBH-W00	235	29		182	2		196	12	90121-952-000	112	10		71	10			
	244	62	90006-Z5T-000	165	36		14		90121-ZE3-790	219	12	90605-230-000	76	13			
				171	27	90015-883-000	191	12	90131-883-000	61	6		77	12			
88000			90006-ZE2-000	165	11		194	5		66	24	91201-Z1D-003	231	9			
				169	10		197	15	90131-ZE1-000	66	24	91201-Z7E-003	62	8			
88911-MJ3-000	131	32		258	7		198	13		245	87	91203-952-771	63	9			
			90007-Z5T-W00	112	8		199	5	90131-ZE3-790	254	32	91203-Z7E-003	63	9			
89000			90007-ZE2-003	203	15		255	39	90142-MB0-000	160	14	91301-805-000	76	14			
			90008-ZE2-003	103	12	90015-Z5T-000	213	19	90201-Z1D-300	220	20	91301-Z0V-005	146	12			
89000-Z0T-800	240	3		109	13		218	11		255	42	91301-ZDK-005	146	13			
89000-ZH7-T00	239	18		179	31		220	11	90201-Z5T-W01	105	15	91309-Z6L-000	66	22			
89001-ZF1-000	239	16	90009-Z1C-000	150	10		222	20	90201-ZE3-790	187	7	91353-671-004	63	10			
89101-Z0T-800	238	15		151	8	90015-ZE3-790	219	11	90201-ZE3-V00	187	7		176	7			
	239	15		154	9	90015-ZE5-010	213	19	90202-Z1D-H00	162	12	90634-ZL8-H00	157	14			
	240	18		157	10	90016-ZG9-N30	215	28	90202-Z1T-000	213	20	90650-SD9-003	131	37	90654-SA4-003	108	9
89102-538-000	237	2		160	13	90017-883-000	191	15	90202-Z2E-000	157	11	90659-170-000	109	15	91406-166-000	66	18
89103-538-000	237	3		161	10		195	9	90203-ZA0-800	150	13	90672-SA0-003	226	19			
89210-ZF1-000	237	4	90009-Z5T-W00	157	10		197	14	90203-ZA0-800	150	13	90683-SB2-781	245	85			
	240	4	90012-888-000	190	9	90018-ZK6-P10	54	9	90206-ZE1-000	97	17	90684-ZA0-601	191	13	91406-729-000	243	28
89211-KWW-640	240	15		191	15	90019-883-000	76	10	90300-Z4M-800	161	11		194	6	91406-ZB3-740	244	50
89212-KWW-601	238	9		195	9		244	53	90301-782-000	165	26		198	15	91406-ZE2-003	226	20
	240	5								171	25		199	6	91424-Z4J-802	249	16
89213-KWW-601	239	19							90302-921-000	110	9	90701-HC4-000	70	9	91424-Z4J-812	177	9
	240	6							90302-KF9-900	165	27		75	10	91424-Z5L-802	177	9
89214-KWW-601	238	11								171	26		76	12	91424-Z5R-802	249	16
	240	7							90304-438-000	153	8		77	11	91424-Z5R-803	249	16
89216-KB7-000	240	6	90012-KM9-000	54	9	90041-Z1C-R60	185	5	90304-KPH-700	257	7	90741-805-000	79	9	91424-Z5S-803	179	25
89216-Z0T-000	238	14	90012-ZE0-010	97	16	90042-ZE3-700	55	11	90309-KF0-003	166	8		231	7	91424-Z5S-804	179	25
89216-Z0T-800	237	6	90013-883-000	61	5	90042-ZE8-000	55	11	90325-044-000	150	11	90741-889-810	79	9	91424-Z5T-003	177	9
	240	8				90043-Z1D-H00	215	40		151	9		231	7			
89216-Z1C-800	240	19					220	19		154	10		187	8	91424-Z5T-013	177	9
89216-ZB4-000	237	6				90043-ZE8-000	55	11		157	12		79	9			
89216-ZF1-000	237	5				90047-ZE3-791	54	9		160	15		231	7	91424-Z9K-811	181	19
89218-ZE1-000	237	7				90050-ZE1-000	165	13		161	12		240	11	91424-Z9K-812	181	19
	240	8							90380-MA6-010	225	17		159	12	91424-ZBC-811	179	25
									90380-MB2-000	228	16		249	13			

PART NO. INDEX

Part Number	Page	Ref.	Part Number	Page	Ref.	Part Number	Page	Ref.	Part Number	Page	Ref.	Part Number	Page	Ref.	Part Number	Page	Ref.
91424-ZBC-812	179	25	93600-05010-0A	179	18		183	22				95701-10040-00	206	22	99101-ZH8-0880	121	27
	181	20		249	15		219	14	95002-02079	143	28	95701-10080-00	56	14		123	27
91424-ZBH-801	177	9	93891-04008-08	228	19		241	11	95002-02080	132	48					138	32
91424-ZBH-851	177	9		229	27		258	9		139	36	96000			99101-ZH8-0900	122	27
91501-Z1D-300	220	21	93891-04010-08	228	20	94050-10000	63	11		177	10				99101-ZH8-0920	122	27
	255	43	93891-04012-08	229	26	94070-06080	204	19		179	21	96100-62020-00	65	15		136	38
91502-ZA0-310	141	29	93891-04020-07	200	3	94070-08080	206	21		181	12		71	13		138	32
91502-ZDJ-000	182	3	93891-05012-00	165	28	94101-04800	226	24		185	10		75	14		143	30
91541-S0A-003	215	35	93891-06020-07	165	29	94101-06000	240	12		249	18		76	17	99101-ZH8-0950	122	27
91551-898-000	249	14		171	28	94101-06800	71	11	95002-02100	179	22		77	15		132	51
91565-SEL-003	228	18	93892-05010-00	162	14		75	12		185	11	96100-62040-00	75	15		138	32
91601-ZE2-003	204	17	93892-05012-18	131	40		76	15	95002-40800-08	133	57	96100-62060-00	231	12		141	31
91616-KFT-620	185	6		138	31		77	13		178	14	96100-62070-00	72	14	99101-ZH8-0980	121	27
			93892-05016-00	152	19	94103-05000	131	42		179	26		75	16		123	27
92000			93892-05032-18	204	18		220	25		181	16		76	18		132	51
			93893-04020-08	229	21	94103-05700	165	30		21	21					136	38
92101-08025-0A	79	7	93893-05016-00	125	38		171	29		249	19	98000				143	30
	246	98		143	27	94103-06000	162	16		23	23					147	21
92101-08028-0A	257	4	93894-05020-00	185	7	94109-12000	64	12	95002-41050-08	179	32	98079-52876	57	15	99101-ZH8-1000	122	27
92301-05016-0A	220	12	93913-24310	229	22		66	25	95002-41200-08	73	19	98079-54846	57	15		123	27
92301-05022-0A	220	22	93913-25580	112	11		245	89		146	14	98079-55841	57	15		126	23
92900-08022-0B	54	9					254	33	95002-45000	139	37	98079-55846	57	15		132	51
92900-08032-0E	54	9	94000			94111-04800	226	25	95003-09040-31	139	38		241	8		136	38
92900-08050-0B	54	9				94111-05000	165	31	95003-25003-20	219	15	98079-55854	57	15		141	31
			94001-04390-0S	226	23		171	30	95005-11105-30	53	8	98079-55855	57	15		143	30
93000			94001-08000-0S	245	72	94111-08000	207	23	95005-35030-10	249	20	98079-55876	57	15		148	21
				257	5	94251-06000	240	13	95005-35055-10	132	49		241	8	99101-ZH8-1020	121	27
93500-03006-1H	121	24	94001-08200-0S	207	22	94251-10000	65	13	95005-35075-10	132	49	98079-56854	57	15		122	27
	126	21	94050-05000	250	11	94301-08140	231	10	95005-35080-20	143	29	98079-56855	57	15		123	27
	136	37	94050-06000	105	16	94301-12200	55	13	95005-35130-10	132	50	98079-56871	57	15		126	23
	141	30		121	25	94302-08140	70	9	95005-35530-11	249	21	98079-56876	56	15		132	51
	143	25		131	41		75	10	95005-35710-10	249	22		241	8		136	38
93500-03012-0H	226	21		150	12	94305-20122	121	26	95005-75145-20	73	20	98200-30500	226	26		141	31
93500-04006-0H	125	37		151	10		125	48	95012-17001	244	52		244	55		147	21
	141	36		154	11		126	22	95701-06010-00	103	12		254	34	99101-ZH8-1050	121	27
	143	26		157	13		144	10		244	53	98200-31500	227	26		123	27
	214	22		159	18		147	20	95701-06012-00	251	7	98200-32000	240	14		126	23
	217	19		160	16	94540-02010	131	43		65	14	98200-32500	227	26		132	51
	222	22		161	13	94540-03018	218	14		242	24	98200-40750	256	10		136	38
	244	49		162	15	94540-04010	131	44	95701-06016-00	183	23	98200-43000	229	23		147	21
93500-04008-0A	125	47		185	8	94540-05018	214	21	95701-06020-00	184	24		244	56	99101-ZH8-1080	121	27
93500-04012-0H	226	22		215	26		217	22	95701-06032-08	159	13		256	11		122	27
93500-05008-0A	223	5		218	13		222	26	95701-06035-08	152	13					123	27
93500-05012-0A	131	39		219	13	94540-07010	131	45	95701-06055-08	162	17	99000				132	51
	245	81		220	14				95701-08016-00	253	10					148	21
93500-05016-0A	214	23		222	25	95000			95701-08020-00	244	54	99001-10120	238	9	99101-ZH8-1100	121	27
	215	33		244	51					251	8		240	5		122	27
	217	20		250	12	95001-45150-40	131	46	95701-08025-00	177	11	99001-10140	238	10		132	51
	222	23	94050-06070	220	24		139	35		181	13		240	15	99101-ZH8-1120	122	27
93500-05025-0H	214	24		255	44		249	16		184	25	99001-14170	238	11		123	27
	217	21	94050-08000	165	15	95001-45210-40	132	46	95701-08028-00	177	11	99003-20000	240	16		133	51
	222	24		33		95001-45235-40	177	9		181	13	99003-30000	238	12	99101-ZH8-1150	122	27
93500-05032-0A	214	24		7			181	11	95701-08032-08	244	54	99003-50000	238	13	99101-ZH8-1180	122	27
	220	13		8		95001-45250-40	131	46	95701-08035-08	205	20	99004-21003	238	14	99104-ZE9-0450	145	8
	23			170	13	95001-45300-40	131	46	95701-08040-00	71	12		240	17	99151-Z1C-3800	146	15
93500-05035-0A	215	31		171	33	95001-45360-40	139	35		75	13	99005-01000	237	8	99154-Z1C-0400	146	16
	218	12		172	10		249	16		76	16	99008-02000	238	15	99204-ZA0-0400	123	28
93500-05045-0A	214	25		176	8	95002-02070	132	47		77	14	99008-02300	238	15		127	24
93500-06008-0G	152	18		181	10		185	9		231	11		240	18		133	52



PART NO. INDEX

Part Number	Page	Ref.	Part Number	Page	Ref.	Part Number	Page	Ref.	Part Number	Page	Ref.	Part Number	Page	Ref.
99204-ZA0-0400	148	22												
99204-ZA0-0450	123	28												
	133	52												
99204-ZE0-0380	123	28												
	143	31												
	148	22												
99204-ZE0-0450	123	28												
	133	52												
	141	32												
	144	11												
99204-ZE2-0380	136	39												
99204-ZE2-0400	123	28												
	136	39												
	138	33												
99204-ZE2-0450	141	32												

3

PART NAME INDEX

Part name	Page	Ref.	Part name	Page	Ref.	Part name	Page	Ref.
[A]			BEARING, RADIAL BALL, 6202 ...	65	15	BOLT, FLANGE, 6X12	217	17
ALERT UNIT, OIL	61	4		71	13		218	10
	225	10		72	13		219	10
ARMATURE COMP.	201	2		75	11		220	10
	206	14			14		222	19
	207	6		76	17		223	4
ARM COMP., GOVERNOR	215	29		77	15		225	16
	218	2	BEARING, RADIAL BALL, 6204 ...	231	8		228	15
ARM, CHOKE	134	13		75	15		242	24
	137	13	BEARING, RADIAL BALL, 6206 ...	231	12		243	24
ARM, GOVERNOR	208	1	BEARING, RADIAL BALL, 6207 ...	72	14		254	24
	219	2		75	16	BOLT, FLANGE, 6X14	198	12
	220	2		76	18	BOLT, FLANGE, 6X16	66	21
	221	3	BEARING, RADIAL BALL, 6207SH •	79	10		183	23
ARM, MANUAL START	134	9		80	10	BOLT, FLANGE, 6X18	153	7
	137	9	BODY ASSY., SHUTOFF VALVE	183	6	BOLT, FLANGE, 6X20	184	24
ARM, VALVE ROCKER	92	4	BOLT-WASHER, 5X14	203	15		197	18
ARRESTER COMP., SPARK	169	7	BOLT-WASHER, 6X18	157	10	BOLT, FLANGE, 6X25	112	10
	258	5	BOLT-WASHER, 6X22	150	10	BOLT, FLANGE, 6X28	191	12
ARRESTER, SPARK	164	8		151	8		194	5
	171	34		154	9		197	15
	245	79		157	10		198	13
	251	9		160	13		199	5
				161	10		255	39
[B]			BOLT B, STUD	112	8	BOLT, FLANGE, 6X32	159	13
BAG SET, TOOL	239	16	BOLT KIT, FUEL CHAMBER	133	56		191	15
BAG, TOOL, 200MM	238	15	BOLT, BATTERY SETTING, 220MM •	252	3		195	9
BAG, TOOL, 230MM	238	15	BOLT, BATTERY TERMINAL	252	9		197	14
	239	15	BOLT, CONNECTING ROD	90	6	BOLT, FLANGE, 6X35	152	13
	240	18	BOLT, DRAIN PLUG	66	24		191	11
BAND	225	9	BOLT, DRAIN PLUG, 12X15	245	87		195	12
BAND F, BATTERY	244	52		61	6		196	12
BARREL ASSY., CYLINDER	59	1	BOLT, ENGINE P.T.O.	66	24		196	14
	60	1	BOLT, FLANGE, 10X40	253	8	BOLT, FLANGE, 6X40	190	9
	61	1	BOLT, FLANGE, 10X80	206	22		191	15
BAR A, HANDLE	237	8	BOLT, FLANGE, 10X80	56	14		195	9
BASE COMP., AIR CLEANER	158	5	BOLT, FLANGE, 5X10	76	10			12
BASE COMP., CHOKE	147	17		244	53			14
BASE COMP., CONTROL	211	14	BOLT, FLANGE, 5X18	159	11		196	12
	216	11		182	2			14
	217	12	BOLT, FLANGE, 6MM	162	11	BOLT, FLANGE, 6X55	198	10
	219	16		255	41		162	17
	221	14	BOLT, FLANGE, 6X10	103	12	BOLT, FLANGE, 8X16	253	10
				109	13	BOLT, FLANGE, 8X20	244	54
BASE COMP., MUFFLER COVER	165	15		179	31		251	8
	170	18		244	53	BOLT, FLANGE, 8X25	79	7
	252	5		251	7		177	11
BASE, BATTERY TRAY	253	19	BOLT, FLANGE, 6X12	61	5		177	11
BASE, HARNESS CLIP	243	32		65	14		181	13
BATTERY	206	8		108	7	BOLT, FLANGE, 8X28	177	11
BEARING A	207	21		110	8		181	13
	89	5		112	9	BOLT, FLANGE, 8X32	244	54
BEARING A, CONNECTING ROD	206	9		165	12	BOLT, FLANGE, 8X35	205	20
BEARING B	207	9		169	11	BOLT, FLANGE, 8X40	71	12
	89	5		190	10		75	13
BEARING B, CONNECTING ROD	206	9		195	10		76	16
BEARING C, CONNECTING ROD	207	9		196	13		77	14
	89	5		198	11		231	11
BEARING D, CONNECTING ROD	90	5		213	18	BOLT, FUEL PUMP STAY	185	5



PART NAME INDEX

Part name	Page	Ref.	Part name	Page	Ref.	Part name	Page	Ref.
BOLT, GOVERNOR ARM	213	19	CAP ASSY., NOISE SUPPRESSOR ..	189	2	CHAMBER SET, FLOAT	142	4
	218	11		193	2		147	4
	219	11		196	4	CHOKE SET	115	8
	220	11		198	3		126	8
	222	20		253	13		134	8
BOLT, GOVERNOR COVER	215	40	CAP ASSY., OIL FILLER	68	3		137	8
	220	19		69	4		142	8
BOLT, HEAD COVER	55	10		73	21		144	1
BOLT, HEX., 10X283	245	84		74	4	CIRCLIP, 5MM	125	36
BOLT, HEX., 3/8-24UNF	241	5			5		46	
BOLT, HEX., 8X25	79	7			77		141	35
	246	98	CAP COMP., AIR CLEANER	151	7		142	24
BOLT, HEX., 8X28	257	4		153	6		213	21
BOLT, PIVOT, 8MM	97	16	CAP COMP., FUEL FILLER	175	4		245	71
BOLT, RECESSED, 5X16	220	12		177	13	CLAMPER, CORD	190	5
BOLT, RECESSED, 5X22	220	22		178	13		195	8
BOLT, SPECIAL, 6MM	112	6		180	4			15
BOLT, STUD	112	5		181	15			5
		7		248	8			197
BOLT, STUD, 8X106	55	11	CAP, CHOKE DUST	129	11		198	4
BOLT, STUD, 8X115	55	11		140	10			5
BOLT, STUD, 8X131.5	55	11	CAP, CHOKE LEVER	140	17	CLAMP, TUBE	73	19
BOLT, STUD, 8X134.5	55	11	CAP, LENS	243	44		133	57
BOLT, STUD, 8X18	54	9	CAP, LEVER	140	23		146	14
BOLT, STUD, 8X22	54	9	CAP, MUFFLER	163	5		178	14
BOLT, STUD, 8X25	54	9		170	15		179	26
BOLT, STUD, 8X32	54	9		241	1			32
BOLT, STUD, 8X34	54	9	CAP, OIL FILLER	76	4		181	16
BOLT, STUD, 8X50	54	9	CAP, PRE AIR CLEANER	160	11			21
BOLT, THROUGH	206	13	CAP, SEALING	157	14		249	19
	207	13	CARBURETOR ASSY.	159	12			23
BOX ASSY., CONTROL	224	1		115	9	CLIP	245	85
		2		116	9	CLIP A, AIR CLEANER WIRE	250	7
	228	1		126	9	CLIP B, AIR CLEANER WIRE	250	8
BOX, TOOL	237	1		129	9	CLIP B, HARNESS	253	20
BRACKET A, HARNESS	66	19		134	10	CLIP, BREATHER TUBE	57	19
BRACKET B, HARNESS	196	3		137	10	CLIP, CABLE, 6MM	109	15
BRACKET COMP., STOP SWITCH	110	7		140	8	CLIP, COUPLER	228	18
BRACKET, CASE MOUNTING	225	4		142	9	CLIP, GOVERNOR HOLDER	70	8
BRACKET, CENTER	202	5		147	8		75	9
BRACKET, FR.	202	6	CARBURETOR SET	134	11		76	11
BRACKET, SWITCH BOX	228	2		137	11		77	10
BRUSH	203	8	CASE COMP., AIR CLEANER	158	2	CLIP, HARNESS	191	13
	206	10		250	4		194	6
	207	10	CASE COMP., FUSE	243	40		198	15
BULB, WEDGE BASE	254	21	CASE COMP., MOTOR	135	29		199	6
BUSH, ARM PIVOT	131	31		138	29	CLIP, HARNESS BAND	215	35
BUSH, CHOKE LEVER	141	29	CASE COMP., PRE AIR CLEANER ..	160	10	CLIP, HEAD	243	28
BUSH, CONTROL KNOB	245	67	CASE COMP., RECOIL STARTER ...	99	2	CLIP, PISTON PIN, 20MM	90	7
BUTTON, PRIMER	183	17		105	2	CLIP, PURSE LOCK	195	17
			CASE, CONTROL	224	3		198	14
			CHAMBER SET, FLOAT	113	4		226	18
				114	4		253	14
				126	4	CLIP, SPECIAL	135	17
CABLE ASSY., EARTH	252	8		128	4			18
CABLE ASSY., STARTING	252	6		134	4		137	17
CAMSHAFT ASSY.	91	2		137	4			18
	97	18		140	4	CLIP, TUBE	106	1
CAMSHAFT COMP.	97	18					109	14

[C]

PART NAME INDEX

Part name	Page	Ref.	Part name	Page	Ref.	Part name	Page	Ref.
CLIP, TUBE	110	1	COLLAR SET, CLUTCH STOP	206	2	COVER	206	12
	132	47		207	2		207	12
		48	COLLAR, 6.5X6	220	21	COVER ASSY., AIR CLEANER	161	3
	139	36		255	43	COVER ASSY., CRANKCASE	67	1
		37	COLLAR, 9.5X6	182	3		72	15
	143	28	COLLAR, AIR CLEANER	150	7		73	15
	177	10		151	3		74	1
	179	21			11			2
		22		153	2		76	1
	181	12		154	6			19
	185	9		156	6	COVER ASSY., FAN	77	1
		10		159	9	COVER ASSY., FUSE	107	2
		11			10		228	12
	249	17		160	7		243	39
		18		161	6		256	6
CLIP, VALVE GUIDE	52	4		162	7	COVER ASSY., GEAR CASE	230	1
CLIP, WIRE	66	18	COLLAR, AIR CLEANER CASE	165	17	COVER ASSY., SHUTOFF VALVE	183	3
	243	27		170	14	COVER COMP., AIR CLEANER	151	2
		31	COLLAR, FAN COVER	112	2		160	5
	253	9		165	35		250	6
CLIP, WIRE HARNESS	131	37		171	36	COVER COMP., FAN	106	2
CLIP, WIRE HARNESS, 6MM	108	9	COLLAR, LEVER	131	36		107	2
CLUTCH COMP., OVERRUNNING	201	3	COLLAR, SETTING	117	12		110	2
	206	6		129	13			3
	207	7		140	12		112	1
COCK ASSY., FUEL	181	18		144	3	COVER COMP., GOVERNOR	220	16
	247	2		145	2		255	40
COIL ASSY., CHARGE	190	7		146	3	COVER COMP., HEAD	53	6
	195	11		147	11	COVER COMP., MUFFLER	165	18
		13	COLLAR, STOPPER	215	27		170	16
		16	COLLAR, TANK CUSHION	249	14	COVER COMP., RR. MUFFLER	165	19
	196	8	COLLAR, UMBRELLA VALVE	58	23		170	17
	197	21	CONTACTOR ASSY.	201	1	COVER, AIR CLEANER	149	4
	198	7	CONTROL ASSY.	209	5		151	2
		8			6		152	14
COIL ASSY., IGNITION	189	1			7		153	1
	191	14		210	7		154	4
	192	1			8		159	7
	196	1		215	30			16
	198	2			37	COVER, AIR CLEANER CASE	155	3
	199	1		216	1		162	4
COIL ASSY., LAMP	190	3			2	COVER, CONTROL	152	16
		4		218	1		228	7
	194	7		219	7	COVER, CYLINDER HEAD	53	6
	195	13		220	1	COVER, DUCT	76	2
COIL ASSY., POWER	196	2			15	COVER, ELECTRONIC PARTS	112	4
COIL ASSY., PULSER	198	1		221	1	COVER, KEY	254	31
COIL COMP., IGNITION	253	12			2	COVER, REACTOR	253	3
COLLAR A, AIR CLEANER	162	6	CONTROL UNIT, ELECTRONIC	200	2	COVER, RECOIL STARTER	105	3
COLLAR B, AIR CLEANER	150	8	CORD, CHARGE COIL	228	3	COVER, ROPE	105	13
	151	4		244	58	COVER, SNOW PLATE	179	33
	153	3	CORD, EARTH	66	17		181	17
	154	7		228	4	COVER, STARTER MOTOR TERMINAL ..	252	7
	156	7		244	59	COVER, TERMINAL	207	20
	160	8	CORD, STOP SWITCH	190	8	COVER, ZERO GOVERNOR	182	1
	161	7		199	4	CRANKSHAFT COMP.	78	1
	162	8	COUNTERSHAFT COMP.	230	4			2
	197	16	COUPLER COMP.	243	34			3
							79	3



PART NAME INDEX

Part name	Page	Ref.	Part name	Page	Ref.	Part name	Page	Ref.
CRANKSHAFT COMP.	79	4	E-RING, 7MM	131	45	GASKET SET	126	1
	80	5	EXTENSION, OIL DRAIN	66	26		128	1
CUP, FUEL STRAINER	11	11		245	86		134	1
	121	23	[F]				137	1
	135	36					140	1
	141	27	FAN, COOLING	186	1		142	1
	142	23		253	1	GASKET, CYLINDER HEAD	147	1
	247	6	FILTER COMP., FUEL	177	12		52	5
CUSHION, C.D.I. UNIT	253	15		248	10		53	5
C.D.I. UNIT	253	16	FILTER, CUP	124	31		57	16
				135	35		58	24
[D]				141	26	GASKET, EX. PIPE	163	6
DEFLECTOR, MUFFLER	166	5		142	22		164	7
DIAPHRAGM ASSY.	130	26		247	5		166	3
	183	9	FILTER, DRAIN TUBE	250	10		168	5
		18	FILTER, FUEL	175	6		172	5
DIAPHRAGM, VALVE	183	11		177	12		241	10
		13		181	7		245	78
DOWEL PIN, 12X20	55	13			8			91
DOWEL PIN, 8X12	70	9		248	10		251	6
	75	10	FILTER, OUTER	149	3		253	17
	76	12		154	3		257	3
	77	11		155	2		258	4
DOWEL PIN, 8X14	231	10		160	3	GASKET, MUFFLER	164	9
DRIVER 2, PLUS SCREW	240	16		161	2			10
DRIVER 3, MINUS SCREW	238	12	FLANGE COMP., BAFFLE	169	6		166	4
DRIVER, SCREW	237	2		172	6		169	9
			FLLOAT SET	113	3		171	37
[E]				126	3		172	7
ELBOW COMP., AIR CLEANER	150	9		128	3		258	6
	151	6		134	3			13
	153	5		137	3	GAUGE ASSY., FUEL	180	5
	154	8		140	3	GAUGE ASSY., THICKNESS	237	4
	157	8		142	3		240	4
	160	9	FLYWHEEL COMP.	147	3	GAUGE, FUEL LEVEL	179	19
	161	8		187	4		181	14
	162	10			5	GEAR, COUNTER	230	5
ELEMENT COMP., AIR CLEANER	155	1			6	GEAR, DRIVE PINION	203	7
ELEMENT, AIR CLEANER	149	2			9	GEAR, MIDDLE	134	12
	152	22		188	11		137	12
	154	2			13	GEAR, PRIMARY DRIVE	230	3
	155	1	FRAME COMP., COMMUTATOR END ..	206	16	GEAR, REDUCTION	203	11
	158	1		207	15	GOVERNOR ASSY.	69	6
	160	2	FUSE, BLADE	226	26		74	7
	161	1		227	26		76	5
	250	2		240	14		77	5
EMBLEM	232	2		244	55	GOVERNOR ASSY., ZERO	183	5
	234	15		254	34	GRID, AIR CLEANER	152	21
	236	3	FUSE, MINI	229	23		153	4
	242	19		244	56	GRIP	237	3
E-RING, 2MM	131	43		256	10	GRIP, REINFORCEMENT	104	14
E-RING, 3MM	218	14			11		105	12
E-RING, 4MM	131	44	[G]			GRIP, SCREW DRIVER	238	13
	141	28				GRIP, STARTER	101	9
E-RING, 5MM	214	21	GASKET SET	113	1		102	9
	217	22		125	41		103	13
	222	26					105	10

PART NAME INDEX

Part name	Page	Ref.	Part name	Page	Ref.	Part name	Page	Ref.
GROMMET, AIR CLEANER	149	5	HOLDER, GOVERNOR WEIGHT	73	17	JET, MAIN, #100	136	38
	154	5		75	18		141	31
	155	4		76	7		143	30
	160	6		77	7		148	21
	161	4	HOLDER, LENS	243	46	JET, MAIN, #102	121	27
GROMMET, CHOKE ROD	130	28	HOLDER, STOP SWITCH CORD	107	5		122	27
GROMMET, CONTROL BOX	228	17	HOLDER, THROTTLE CHANGE WIRE	218	7		123	27
GROMMET, CORD	190	6	HOLDER, WIRE	124	34		126	23
	193	3		141	34		132	51
	195	18		142	16		136	38
	196	6		213	17		141	31
		7		217	15	JET, MAIN, #105	147	21
	198	6		222	18		121	27
	199	3		245	63		123	27
GROMMET, CRANKCASE	243	26	HOUSING COMP., DRIVE SIDE	206	7		126	23
GROMMET, DRAIN HOLE	107	6		207	8		132	51
GROMMET, FENDER	131	32					136	38
GROMMET, OIL PIPE HOLDER	162	1	[I]				147	21
GUARD, FR. BATTERY	252	11	INDICATOR ASSY.	228	11	JET, MAIN, #108	121	27
GUARD, RR. BATTERY	252	12	INSULATOR	203	14		122	27
GUIDE, CHOKE ROD	131	29	INSULATOR COMP., CARBURETOR ..	125	39		123	27
GUIDE, EX. VALVE	51	3	INSULATOR, BRUSH HOLDER	206	20		132	51
GUIDE, IN. VALVE	51	2		207	19	JET, MAIN, #110	148	21
GUIDE, PRE AIR CLEANER	160	12	INSULATOR, CARBURETOR	207	19		121	27
GUIDE, PUSH ROD	96	15		118	14		122	27
	97	15		126	12		132	51
				129	14	JET, MAIN, #112	122	27
[H]				135	24		123	27
				138	23		133	51
HANDLE, BOX WRENCH	237	8		140	14	JET, MAIN, #115	122	27
	240	9		142	13	JET, MAIN, #118	122	27
HARNESS ASSY., ENGINE WIRE	193	4		144	4	JET, MAIN, #88	121	27
	194	4		145	3		123	27
	196	9		146	4		138	32
	197	19		147	13	JET, MAIN, #90	122	27
	198	9	INSURATOR, CONTROL BASE	215	38	JET, MAIN, #92	122	27
HARNESS ASSY., SUB WIRE	254	35					136	38
		36	[J]				138	32
	256	1	JET SET, PILOT, #38	123	28	JET, MAIN, #95	143	30
		12		136	39		122	27
HARNESS, SUB WIRE	225	8		143	31		132	51
HEAD COMP., CYLINDER	50	1		148	22		138	32
HOLDER, BRUSH	203	12	JET SET, PILOT, #40	123	28	JET, MAIN, #98	141	31
	206	19		127	24		121	27
	207	18		133	52		123	27
HOLDER, CABLE	124	32		136	39		132	51
	125	45		138	33		136	38
	142	14		148	22		143	30
	211	12	JET SET, PILOT, #45	123	28	JET, PILOT,	147	21
	215	32		133	52	JET, PILOT, #45	146	16
	216	9		141	32	JOINT, FUEL TANK	145	8
	220	6		144	11		173	2
		18	JET SET, SLOW	146	9		174	2
	221	12	JET, MAIN	146	15		180	2
HOLDER, CONNECTOR	197	17	JET, MAIN, #100	122	27	JOINT, ROD	130	21
HOLDER, CONTROL CABLE	152	15		123	27		219	1
	162	2		126	23			
	245	82		132	51			



PART NAME INDEX

Part name	Page	Ref.	Part name	Page	Ref.	Part name	Page	Ref.
[K]			LEVER, COCK	135	31	MARK, OPERATOR CAUTION	242	18
KEY ASSY., COMBINATION SWITCH •	228	10		140	21		243	29
	243	37	LEVER, CONTROL	142	18		245	73
	253	5		210	9			80
	256	5		221	8	MARK, SALES POINT	246	99
KEY COMP.	225	12	LEVER, MANUAL START	135	28		235	21
	228	9		138	28			29
	241	13	LEVER, PINION DRIVE	206	4			32
	243	36		207	4			33
	254	30	LIFTER, VALVE	92	5			35
	256	4					236	7
KEY, 6.3X6.3X33	231	7	[M]					8
KEY, 6.3X6.3X43	79	9	MARK	235	22	MARK, SELECTOR INDICATION	244	62
KEY, 7X7X33	79	9	MARK A, COMBINATION	234	20	MARK, STOP SWITCH	245	70
	231	7		245	76	MARK, THROTTLE INDICATION	236	2
KEY, SPECIAL WOODRUFF, 25X18 ••	187	8	MARK B, COMBINATION	234	16		233	10
KNOB, COCK LEVER	218	9		245	77	METER ASSY., FUEL	245	95
	245	66	MARK, AIR CLEANER	242	21		179	17
[L]			MARK, AIR CLEANER CAUTION •••	232	4		247	7
LABEL, AIR CLEANER CAUTION •••	235	24	MARK, AIR CLEANER SALES POINT	235	25	METER ASSY., HOUR	248	7
LABEL, CAUTION	232	3	MARK, CAUTION	243	48		229	25
	234	14	MARK, CHOKE	233	9	MIXER ASSY.	256	7
		20		234	18		144	8
	235	20		235	28		145	7
		31			38	MOTOR ASSY., STARTER	146	8
		36			5		206	3
	236	4		236	20	MOTOR UNIT, STARTER	207	3
	241	3		242	61		201	4
LABEL, E-SPEC	232	1		244	94	MUFFLER COMP.	202	4
	233	11	MARK, CONTROL BOX	245	94		163	1
LABEL, FUSE	228	13	MARK, ENGINE SWITCH	246	100		166	1
	243	47	MARK, EX. CAUTION	225	15		167	2
	256	8		228	14		172	1
		9		234	16		251	1
LABEL, WARNING	233	12		242	22			2
		13		243	30		257	1
	234	13	MARK, FUEL	245	83		258	1
	236	1	MARK, FUEL INDICATION	235	23			10
LENS	243	43		235	27	[N]		
LENS ASSY., PROTECTOR	254	23	MARK, HONDA	254	38	NOSE, SILENCER	149	6
	225	14	MARK, OIL ALERT	236	6		156	5
	243	42		232	6		162	5
LEVER COMP., CHOKE	119	18		233	12	NOZZLE, MAIN	117	11
	125	43		234	17		126	11
	126	16		235	34		129	12
	144	9	MARK, OIL CAUTION	241	4		135	21
LEVER COMP., CONTROL	216	5			9		138	21
		6		229	24		140	11
	221	8	MARK, OPERATOR CAUTION	235	26		142	11
LEVER COMP., THROTTLE	223	2		245	96		147	10
LEVER, CHOKE	130	20		232	3	NUT-WASHER, 6MM	204	19
	140	20			8	NUT-WASHER, 8MM	206	21
LEVER, CHOKE CONTROL	134	14		233	8	NUT, AIR CLEANER	161	11
	137	14		234	14	NUT, AIR CLEANER COVER	157	11
LEVER, COCK	119	19		235	20	NUT, BATTERY TERMINAL	252	10
	126	17			30	NUT, CAP, 6MM	153	8
				242	17	NUT, FLANGE, 10MM	63	11

PART NAME INDEX

Part name	Page	Ref.	Part name	Page	Ref.	Part name	Page	Ref.
NUT, FLANGE, 5MM	185	6	NUT, TOOL BOX SETTING	150	11	PACKING, CARBURETOR INSULATOR •	140	15
	250	11		151	9		143	32
NUT, FLANGE, 6MM	105	16		154	10		144	5
	121	25		157	12		145	4
	131	41		160	15		146	5
	150	12		161	12		147	14
	151	10	NUT, U, 6MM	165	26	PACKING, CASE COVER	67	2
	154	11		171	25		68	2
	157	13	NUT, WING, 6MM	150	13		74	3
	159	18					76	3
	160	16	[O]			PACKING, CHAIN CASE COVER	230	2
	161	13				PACKING, CRANKCASE COVER	68	2
	162	12	OIL SEAL, 30X46X8	231	9		74	3
		15	OIL SEAL, 35X52X8	62	8		76	3
	185	8		71	10		77	2
	215	26		76	13	PACKING, ELBOW	149	1
	218	13		77	12		151	1
	219	13	OIL SEAL, 8X14X5	63	9		154	1
	220	14	O-RING	118	13		160	1
		24		135	22	PACKING, FUEL COCK	121	22
	222	25		140	13		126	20
	244	51		142	12		135	34
	250	12		146	12		141	25
	255	44			13		142	21
NUT, FLANGE, 8MM	165	15		183	7	PACKING, FUEL FILLER CAP	175	5
		33		247	1		178	15
	166	7	O-RING, 14MM	63	10		179	15
		8		176	7		180	6
	170	13		181	9		181	6
	171	33	O-RING, 26X2.7	76	14		248	9
	172	10	O-RING, 37.9X2.4	66	22	PACKING, HEAD COVER	53	7
	176	8	O-RING, 4.8X1.9	135	23	PACKING, INSULATOR	119	17
	181	10		138	22		124	30
	183	22	O-RING, 9.0X1.3	247	4		126	15
	219	14					129	16
	241	11	[P]			PACKING, OIL FILLER CAP	69	5
	258	9					74	6
NUT, HEX.	206	18	PACKING	204	17		77	4
	207	17	PACKING, AIR CLEANER	130	25	PANEL COMP., CONTROL	225	5
NUT, HEX. CAP, 8MM	257	7		133	55	PANEL, CONTROL	228	6
NUT, HEX., 16MM	110	9		147	18	PAN, CLEANER OIL	151	5
	111	12	PACKING, AIR CLEANER CASE	157	9	PIN B, DOWEL, 8X14	70	9
NUT, HEX., 4MM	226	23		161	9		75	10
NUT, HEX., 5MM	165	27	PACKING, AIR CLEANER COVER ...	160	4	PIN, FLAT, 6X27.5	240	11
	171	26	PACKING, CARBURETOR	119	16	PIN, GOVERNOR WEIGHT	73	18
NUT, HEX., 8MM	206	17		126	14		75	19
	207	16		129	15		76	8
		22		135	27		77	8
	245	72		138	26	PIN, LEVER	183	19
	257	5		140	16	PIN, LOCK, 10MM	65	13
NUT, PIVOT ADJUSTING	97	17		143	33	PIN, LOCK, 6MM	240	13
NUT, PUSH	105	15		144	7	PIN, PISTON	88	3
NUT, SELF-LOCK, 6MM	213	20		145	6		89	3
	217	18		146	7	PIN, SPRING, 2X12	121	26
	222	21		147	16		125	48
NUT, SPECIAL, 16MM	187	7	PACKING, CARBURETOR INSULATOR	124	30		126	22
NUT, SPECIAL, 6X7	220	20		129	16		144	10
	255	42		135	25		147	20
NUT, TANK MOUNTING	179	28		138	24			



PART NAME INDEX

Part name	Page	Ref.	Part name	Page	Ref.	Part name	Page	Ref.
PIPE COMP., EX.	257	2	PUMP ASSY., FUEL	185	1	RUBBER, SUPPORTER	173	1
		6					180	1
PIPE, BOX WRENCH EXTENSION	240	10	[R]				249	24
PIPE, EX.	163	4				RUBBER, TANK CUSHION	249	13
	165	32	RATCHET, STARTER	100	4	RUBBER, TANK MOUNTING	248	11
	166	2		105	5			
	168	4	RECTIFIER ASSY.	245	92	[S]		
	171	32	RECTIFIER ASSY., REGULATOR ...	227	27	SCREEN COMP.	169	7
	172	4		245	64	SCREEN SET, FUEL STRAINER	247	3
	258	3		253	18	SCREEN, FUEL STRAINER	147	12
		11		254	37	SCREW	183	4
PISTON	85	2	RECTIFIER ASSY., SILICON	225	6			8
	86	2		254	25			15
	87	2	RECTIFIER COMP.	228	5			21
	88	2		244	60	SCREW-WASHER, 4X10	228	20
PIVOT, ROCKER ARM	92	6	RECTIFIER COMP., REGULATOR ...	253	18	SCREW-WASHER, 4X12	229	26
	93	6	RETAINER, DIAPHRAGM	183	12	SCREW-WASHER, 4X14	205	21
PLATE	134	15			14	SCREW-WASHER, 4X20	200	3
	137	15	RETAINER, EX. VALVE SPRING ...	96	12		229	21
PLATE COMP., CONTROL	219	8	RETAINER, IN. VALVE SPRING ...	95	11	SCREW-WASHER, 4X6	204	16
PLATE, BATTERY	252	4		96	12	SCREW-WASHER, 4X8	228	19
PLATE, BATTERY GUARD	252	1	RETAINER, SPRING	101	8		229	27
PLATE, BATTERY SETTING	252	2		105	9	SCREW-WASHER, 5X10	162	14
PLATE, COOLING FAN SETTING	187	10	RING SET, PISTON	81	1	SCREW-WASHER, 5X12	131	40
PLATE, FUEL INDICATION	242	23		82	1		138	31
PLATE, LEVER SETTING	120	20		83	1		165	28
	126	18		84	1	SCREW-WASHER, 5X16	125	38
	135	32	RING, PACKING	183	20		143	27
	140	22	RING, SNAP	206	1		152	19
	142	19		207	1	SCREW-WASHER, 5X20	185	7
PLATE, OIL LEVEL SWITCH	66	23	ROD ASSY., CONNECTING	89	4	SCREW-WASHER, 5X32	204	18
PLATE, SET	165	22	ROD COMP., PUSH	97	20	SCREW-WASHER, 6X20	165	29
	171	20	ROD, CHOKÉ	130	22		171	28
PLUG, CONE TYPE	151	12		141	33	SCREW SET	115	7
	162	13	ROD, CHOKE CONTROL	130	27		124	29
PLUG, INNER CONNECTOR	196	10		133	53		126	7
PLUG, OIL DRAIN	254	32	ROD, CONTROL	216	3		128	5
PLUG, OUTER CONNECTOR	196	11		221	5			6
	256	2	ROD, GOVERNOR	208	2			8
PLUG, SPARK	56	15		218	3		129	8
	57	15		219	3		134	7
	241	8	ROD, PUSH	220	3		135	19
PROTECTOR COMP., FAN COVER	109	12	ROD, THROTTLE	221	4		137	7
PROTECTOR COMP., MUFFLER	163	2		221	4			19
	167	3	ROD, THROTTLE	92	3			7
	258	2	ROPE, RECOIL STARTER	217	16		140	7
PROTECTOR, CIRCUIT	225	13		221	4		142	7
	243	41		102	10		146	2
PROTECTOR, EX. PIPE	163	3	ROTOR, VALVE	105	11		147	5
	167	1		96	14	SCREW SET, DRAIN	114	6
PROTECTOR, L. MUFFLER	172	3	RUBBER A, TANK MOUNTING	179	27		115	6
PROTECTOR, MUFFLER INNER	251	4	RUBBER COMP., TANK MOUNTING ..	179	29		126	6
PROTECTOR, MUFFLER OUTER	251	3	RUBBER, BOTTOM	242	14		128	7
PROTECTOR, R. MUFFLER	172	2			15		134	6
PULLEY COMP., STARTER	186	2	RUBBER, FUEL	131	38		137	6
PULLEY, RECOIL STARTER	100	3		138	34		140	6
	105	4		159	17		142	6
PULLEY, STARTER	187	3		179	24		147	6
PULLEY, WHEEL DRIVE	253	2		244	57			6

PART NAME INDEX

Part name	Page	Ref.	Part name	Page	Ref.	Part name	Page	Ref.
SCREW SET, PILOT	114	5	SCREW, TAPPING, 4X6	165	14	SLIDER, GOVERNOR	76	9
	123	29			16		77	9
	124	29		166	6	SOCKET ASSY., LAMP	254	22
	126	5		171	24	SOLENOID ASSY.	223	3
	128	6			31	SPACER COMP., CARBURETOR	119	15
	134	5		241	6		126	13
	137	5	SCREW, TAPPING, 4X8	171	35		133	54
	140	5		251	10		135	26
	141	37	SCREW, TAPPING, 5X20	112	11		138	25
	142	5	SCREW, TAPPING, 5X25	165	25		144	6
	147	5		171	23		145	5
SCREW, ADJUSTING	146	1	SCREW, TAPPING, 5X8	165	13		146	6
SCREW, CENTER	103	11			16		147	15
	105	14			24	SPACER, CONTROL LEVER	211	13
SCREW, FLAT, 5X10	179	18		169	12		216	10
	249	15		171	22		221	13
SCREW, GLOVE BOX	243	49			31	SPACER, MUFFLER COVER	165	23
	244	49		172	8		171	21
SCREW, LOCK PAN	219	12			9	SPANNER, 10X12	238	9
SCREW, PAN, 3X12	226	21		245	81		240	5
SCREW, PAN, 3X6	121	24		258	8	SPANNER, 10X14	238	10
	126	21	SCREW, TAPPING, 6X10	165	11		240	15
	136	37		169	10	SPANNER, 12X14	239	19
	141	30		258	7		240	6
	143	25	SCREW, TAPPING, 6X25	165	36	SPANNER, 14X17	238	11
SCREW, PAN, 4X12	226	22		171	27		240	7
SCREW, PAN, 4X6	125	37	SCREW, THROTTLE STOP	117	10	SPRING	183	10
	141	36		126	10			16
	143	26		129	10	SPRING ASSY., GOVERNOR	219	4
	214	22		140	9	SPRING, AIR CLEANER CASE LID ..	158	4
	217	19		142	10	SPRING, BRUSH	206	11
	222	22		144	2		207	11
	244	49		145	1	SPRING, BRUSH RETURN	203	10
SCREW, PAN, 4X8	125	47		147	9	SPRING, CABLE RETURN	212	16
SCREW, PAN, 5X12	131	39	SEAL, AIR CLEANER	162	9		217	14
	245	81		250	9		221	17
SCREW, PAN, 5X16	214	23	SEAL, AIR CLEANER CASE	158	6	SPRING, CHOKE RETURN	223	1
	215	33		159	6	SPRING, COCK LEVER	120	21
	217	20	SEAL, AIR CLEANER COVER	159	8		126	19
	222	23		161	5		135	33
SCREW, PAN, 5X16.5	160	14	SEAL, CHOKE LEVER	131	34		141	24
SCREW, PAN, 5X25	214	24	SEAL, ELECTRONIC CONTROL UNIT				142	20
	217	21	COVER	200	1	SPRING, COIL	243	45
	222	24	SEAL, MUFFLER PROTECTOR	251	5	SPRING, CONTROL ADJUSTING	212	15
SCREW, PAN, 5X32	214	24	SEAL, VALVE STEM	91	1		217	13
	220	13	SEAT, VALVE SPRING	96	13		218	6
		23		97	19		219	9
SCREW, PAN, 5X35	215	31	SEPARATOR, AIR CLEANER	250	3		220	8
	218	12	SHAFT, ENGINE P.T.O.	253	7			17
SCREW, PAN, 5X45	214	25	SHAFT, GOVERNOR ARM	61	3		221	16
SCREW, PAN, 5X8	223	5	SHAFT, P.T.O.	231	6	SPRING, CONTROL LEVER RETURN ..	220	9
SCREW, PAN, 6X8	152	18	SHROUD	107	3	SPRING, FRICTION	101	5
SCREW, RECESSED, 5X25	215	28		110	4		105	6
SCREW, SPECIAL, 6X12	225	17		112	3	SPRING, GOVERNOR	209	3
SCREW, SPECIAL, 6X8	228	16	SHROUD COMP., UPPER	215	34		218	4
SCREW, STOP	135	20			36		219	5
	138	20	SHROUD, UPPER	215	34			6
SCREW, TAPPING, 3X6	109	11	SLIDER, GOVERNOR	69	7		220	4
SCREW, TAPPING, 4X14	229	22		75	8		221	6



PART NAME INDEX

Part name	Page	Ref.	Part name	Page	Ref.	Part name	Page	Ref.
SPRING, LEVER	211	10	SWITCH ASSY., COMBINATION	254	29	TUBE, FUEL, 4.2X180	177	9
	216	7		256	3	TUBE, FUEL, 4.2X235	177	9
	221	10	SWITCH ASSY., ENGINE KILL	245	68	TUBE, FUEL, 4.2X250	179	25
SPRING, LINK	218	8	SWITCH ASSY., ENGINE STOP	107	4	TUBE, FUEL, 4.5X150	131	46
SPRING, MANUAL CHOKE	130	24		108	8		139	35
SPRING, RATCHET	101	7			10		249	16
	105	8		110	5	TUBE, FUEL, 4.5X210	132	46
SPRING, RETURN	125	35			6	TUBE, FUEL, 4.5X235	177	9
		44		111	11		181	11
	142	17			13	TUBE, FUEL, 4.5X250	131	46
SPRING, STARTER RETURN	101	6		241	2	TUBE, FUEL, 4.5X260	249	16
	105	7		245	93	TUBE, FUEL, 4.5X300	131	46
SPRING, THROTTLE RETURN	140	18	SWITCH ASSY., FREQUENCY CHANGE	253	6		177	9
	209	4	SWITCH ASSY., MAGNET	206	5	TUBE, FUEL, 4.5X360	139	35
	216	4		207	5		249	16
	218	5	SWITCH ASSY., OIL LEVEL	61	2	TUBE, FUEL, 6.3X50	179	30
	220	5		66	16	TUBE, VINYL, 4.5X8X400	139	38
	221	7			20	TUBE, VINYL, 9X11X30	219	15
SPRING, TORSION COIL	135	16	SWITCH, THERMO	58	20			
	137	16				[U]		
SPRING, VALVE	95	10	[T]					
SPRING, WEIGHT RETURN	93	7				U-RING	135	30
	94	7	TANK ASSY., FUEL	179	16		138	30
STARTER ASSY., RECOIL	98	1		180	3			
	99	1	TANK COMP., FUEL	174	3	[V]		
	105	1		175	3			
STAY ASSY., CHOKE CONTROL	124	33	TERMINAL ASSY., HIGH TENSION ·	189	2	VALVE ASSY., SOLENOID	129	17
	140	19		190	2		138	27
	142	15		193	2		243	38
STAY ASSY., MANUAL CHOKE	129	18		199	2	VALVE SET, FLOAT	113	2
STAY COMP. A, ZERO GOVERNOR ···	183	1	TOOL KIT	239	18		126	2
STAY COMP. B, ZERO GOVERNOR ···	183	2		240	3		128	2
STAY COMP., AIR CLEANER	158	3	TUBE COMP., FUEL	146	11		134	2
STAY COMP., SOLENOID	129	19	TUBE COMP., PURGE	146	10		137	2
STAY COMP., WIRE HOLDER	152	17	TUBE, 11X105	53	8		140	2
	162	3	TUBE, 3.5X130	132	50		142	2
STAY, AIR CLEANER	158	3	TUBE, 3.5X30	249	20		147	2
	250	5	TUBE, 3.5X530	249	21	VALVE, DASHPOT CHECK	131	30
STAY, FUEL PUMP	185	2	TUBE, 3.5X55	132	49		245	69
STAY, MUFFLER COVER	165	21	TUBE, 3.5X710	249	22	VALVE, EX.	95	9
		34	TUBE, 3.5X75	132	49	VALVE, IN.	94	8
	171	19	TUBE, 3.5X80	143	29		95	8
STOPPER, CHOKE ROD	130	23	TUBE, 7.3X145	73	20	VALVE, UMBRELLA CHECK	58	22
STOPPER, DISCHARGE GUARD	242	16	TUBE, AIR VENT	245	90			
STRAINER COMP., FUEL	179	23	TUBE, BREATHER	53	8	[W]		
STRAP, CABLE, 118MM	226	19		57	17	WASHER COMP., HEAD COVER	55	12
SUB HARNESS	254	27			18	WASHER, 10.5X40X4	241	7
SUSPENSION, COUPLER	225	7		58	25	WASHER, 16MM	110	10
	245	65		159	14	WASHER, 8.2X17X0.8	62	7
	254	26			15	WASHER, 8.5X42X4.5	79	8
SUSPENSION, IGNITION COIL	253	11	TUBE, CORD	250	1	WASHER, CHOKE LEVER	131	33
SUSPENSION, WINKER RELAY	240	1	TUBE, DIAPHRAGM	244	50	WASHER, CONTROL LEVER	211	11
SWITCH ASSY., COMBINATION	225	11	TUBE, FASTENER, 30MM	185	4		216	8
	228	8	TUBE, FUEL	226	20		221	11
	241	12	TUBE, FUEL TANK	185	3	WASHER, DRAIN PLUG, 10.2MM	66	25
	243	35	TUBE, FUEL, 4.2X110	179	20		245	88
	253	4	TUBE, FUEL, 4.2X120	181	19	WASHER, DRAIN PLUG, 12MM	64	12
	254	28		179	25		66	25
				181	20			

PART NAME INDEX

Part name	Page	Ref.	Part name	Page	Ref.	Part name	Page	Ref.
WASHER, DRAIN PLUG, 12MM	245	89						
	254	33						
WASHER, FLYWHEEL	188	12						
WASHER, FRAME JOINT	243	25						
WASHER, LOCK, 8.5X35X4.5	79	8						
	245	97						
WASHER, PLAIN	125	40						
		42						
	127	25						
	136	40						
	148	23						
		24						
	211	13						
	215	39						
WASHER, PLAIN, 4MM	226	24						
WASHER, PLAIN, 5MM	131	42						
	165	30						
	171	29						
	220	25						
WASHER, PLAIN, 6MM	71	11						
	75	12						
	76	15						
	77	13						
	162	16						
	240	12						
WASHER, SPRING, 4MM	226	25						
WASHER, SPRING, 5MM	165	31						
	171	30						
WASHER, SPRING, 8MM	207	23						
WASHER, TANK CUSHION	248	12						
WASHER, THRUST, 16.1MM	97	21						
WASHER, THRUST, 2.7X8	131	35						
WASHER, THRUST, 35MM	80	12						
WEIGHT, BALANCER	79	6						
WEIGHT, GOVERNOR	73	16						
	75	17						
	76	6						
	77	6						
WIRE, WATER COVER	203	13						
WRENCH COMP., SPARK PLUG	237	7						
	240	8						
WRENCH, BOX	237	5						
	238	14						
	240	17						
		19						
WRENCH, PLUG	237	6						
WRENCH, SPARK PLUG	237	6						
	240	8						
[Y]								
YOKE COMP.	203	9						
	206	15						
	207	14						

1

FOREWORD INDEX

2

ENGINE GROUP

3

PART NUMBER INDEX

4

PART NAME INDEX

HONDA

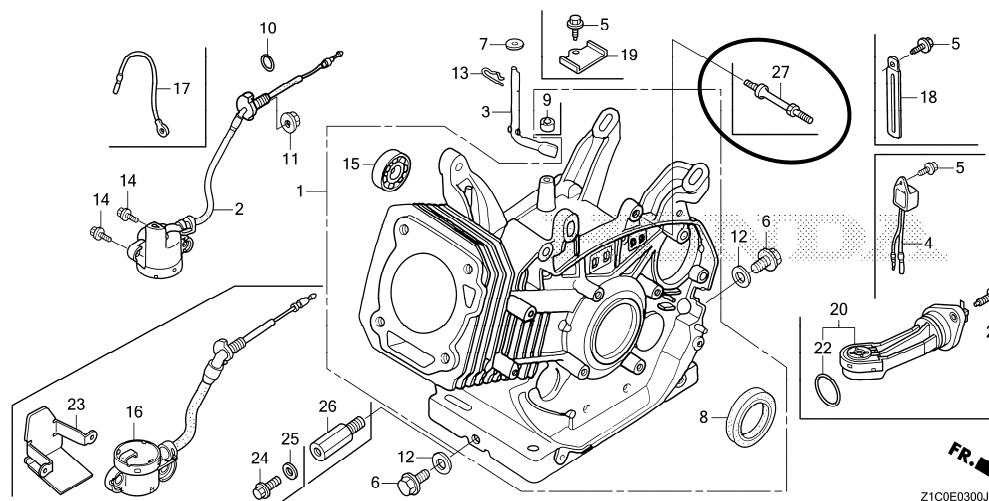
HONDA PARTS CATALOGUE NEWS

PARTS CATALOGUE - CORRECTED

CODE NO.	13Z1C408
PARTS CATALOGUE NEWS	GX390T1 GX390T2 GX390T2X GX390UT2 GX390UT2X
NEWS NO.	001

Block No.	Ref. No.	Note	Part No.	Description	Reqd. QTY					Serial No.	Parts catalogue code
					GX 390 T1	GX 390 T2	GX 390 T2X	GX 390 UT2	GX 390 UT2X		

E-3 CYLINDER BARREL



E-3	27	D	90043-Z1D-H00	BOLT, GOVERNOR COVER.....	-	1	-	-	-	SWD4
E-22	40	E	90043-Z1D-H00	*PART NO. DELETION						

NOTE A:PART NO. CHANGE D:NEWLY PROVIDED E:PART NO. DELETION K:REQUIRED NO. CORRECTION L:APPLICATION SERIAL NO. CORRECTION
M:PART DESCRIPTION CORRECTION T:APPLICATION CORRECTION Z:REMARKS CHANGE

HONDA PARTS CATALOGUE NEWS

PARTS CATALOGUE - CORRECTED

CODE NO.	13Z1C408
PARTS CATALOGUE NEWS	GX390T1 GX390T2 GX390T2X GX390UT2 GX390UT2X
NEWS NO.	002

Block No.	Ref. No.	Note	Part No.	Description	Reqd. QTY					Serial No.	Parts catalogue code
					GX 390 T1	GX 390 T2	GX 390 T2X	GX 390 UT2	GX 390 UT2X		
E-9	18	L	14100-Z5T-910	CAMSHAFT COMP. (STD.).....	-	1	-	1	-	-----	EDS1, EDT1, ES5, EZDS, EZS4, EZS5, LFU, LTK1, LWD QAPW/A, QBLS, QBS, QCT, QHB2, QHT, QMAH, QMAH/A, QNG QTG, QTN, QXG, SCC, SM11, SMTP, VXG, VZKK, VZS5, VZS6
					-	1	-	-	-	----- 2383470	EDS5, EDT5, EWS1, EWS3, EWS4, EWS5, EZD5, LEAJ, LWD1 LWP1, LXE5, LXQ5, PKT5, PXE5, PXU5, QA25, QAA5, QBE1/A QC1, QC2, QC55, QC95, QCWE, QHB1/A, QHB2/A, QHT1, QHTN QK45, QKA5, QNR5, QTE, QX5, QXE5, QXQ5, QXU5, QZSD QZSL, SC15, SC5, SCM5, SEM, SHMV, SJG, SME5, SMEJ, SMM STCH, SWA5, SWD4, SWDH, SWDL, SWSC, SX5, SXE5, SXQ5 SZSK, VS15, VS3, VS5, VSEP, VSP/A, VWC5, VWE5, VWT5 VXEH, VXH
					-	1	-	-	-	1092053 2383470	LH, LHB5, LHP1, LXE9, QHP1, QMH, QN, QP, QX, QXE, QXEK QXK, SH, SWX2, VMQ3, VMT3, VS4, VS6, VX, VXE, VXK
					-	1	-	-	-	1092053 -----	ES2, LH2, PX, QAPW, QBE1, QH, QHB1, QHB3, QHB5, QTD SWE2, SWX, SX, SXC, VMT, VMT2, VSB3, VSB4, VSP, VTE5 VXU1, VZX
					-	-	1	-	-	----- 2383470	
					-	-	-	-	1	----- 3802784	LFU, QMAH, SCC

NOTE A:PART NO. CHANGE D:NEWLY PROVIDED E:PART NO. DELETION K:REQUIRED NO. CORRECTION L:APPLICATION SERIAL NO. CORRECTION
M:PART DESCRIPTION CORRECTION T:APPLICATION CORRECTION Z:REMARKS CHANGE

PARTS CATALOGUE NEWS

BOOKNo. : 13Z1C408

Block No.	Ref. No.	Note	Part No.	Description	Reqd. QTY					Serial No.	Parts catalogue code
					GX 390 T1	GX 390 T2	GX 390 T2X	GX 390 UT2	GX 390 UT2X		
		D	14100-Z5T-911	-	1	-	-	-	2383471 -----	EDS5, EDT5, EWS1, EWS3, EWS4, EWS5, EZD5, LEAJ, LH LHB5, LHP1, LWD1, LWP1, LXE5, LXE9, LXQ5, PKT5, PXE5 PXU5, QA25, QAA5, QBE1/A, QC1, QC2, QC55, QC95, QCWE QHB1/A, QHB2/A, QHP1, QHT1, QHTN, QK45, QKA5, QMH, QN QNR5, QP, QTE, QX, QX5, QXE, QXE5, QXEK, QXK, QXQ5, QXU5 QZSD, QZSL, SC15, SC5, SCM5, SEM, SH, SHMV, SJG, SME5 SMEJ, SMM, STCH, SWA5, SWD4, SWDH, SWDL, SWSC, SWX2 SX5, SXE5, SXQ5, SZSK, VMQ3, VMT3, VS15, VS3, VS4, VS5 VS6, VSEP, VSP/A, VWC5, VWE5, VWT5, VX, VXE, VXEH, VXH VXK
					-	-	1	-	-	2383471 -----	
					-	-	-	-	1	3802785 -----	LFU, QMAH, SCC
					-	-	-	-	1	-----	SE2C

NOTE A:PART NO. CHANGE D:NEWLY PROVIDED E:PART NO. DELETION K:REQUIRED NO. CORRECTION L:APPLICATION SERIAL NO. CORRECTION
M:PART DESCRIPTION CORRECTION T:APPLICATION CORRECTION Z:REMARKS CHANGE

HONDA PARTS CATALOGUE NEWS

PARTS CATALOGUE - CORRECTED

CODE NO.	13Z1C408
PARTS CATALOGUE NEWS	GX390T1 GX390T2 GX390T2X GX390UT2 GX390UT2X
NEWS NO.	003

Block No.	Ref. No.	Note	Part No.	Description	Reqd. QTY					Serial No.	Parts catalogue code
					GX 390 T1	GX 390 T2	GX 390 T2X	GX 390 UT2	GX 390 UT2X		
E-28	17	D	87530-ZL8-850	MARK, OIL ALERT (ENGLISH).....	-	1	-	-	-	-----	PX, SWX, SX, SXC, VXU1
		T	87532-ZH8-810	-	1	-	-	-	-----	QCWE, QX, QXE, QXEK, QXK, STCH, SWSC, SWX2, VX, VXE, VXK

NOTE A:PART NO. CHANGE D:NEWLY PROVIDED E:PART NO. DELETION K:REQUIRED NO. CORRECTION L:APPLICATION SERIAL NO. CORRECTION
M:PART DESCRIPTION CORRECTION T:APPLICATION CORRECTION Z:REMARKS CHANGE

HONDA PARTS CATALOGUE NEWS

CODE NO.	13Z1C408
PARTS CATALOGUE NEWS	GX390T1 GX390T2 GX390T2X GX390UT2 GX390UT2X
NEWS NO.	004

GX390T2-QC3 TYPE sales parts information

NOTE: This Parts Catalogue News explains only the parts of the different model that are produced to conform to addition of the GX390T2-QC3 type.

As for the parts not listed on this Parts Catalogue News, use the parts of the GX390T2-QC2 type.

• Models, parts catalogue codes and applicable serial numbers

Model	Type		Parts catalogue type	Applicable engine serial No.	Applicable carburetor identification No.
GX390T2	QC2	Base type	QC2	GCBDT-1000001~	BE94J A
	QC3	Additional type	QC3	GCBDT-2000001~	

• Features of each type		Base type	Additional type
Model		GX390T2	
Specification:		QC2	QC3
Type			
Crankshaft	30mm Ø Spline		
	25.4mm Ø Spline		
	25.4mm Ø Straight	●	●
	25mm Ø Straight		
	3/16 Tapered		
	1/5 Tapered		
Muffler		●	●
Muffler cover			
Spark arrester			
Fuel tank		●	●
Oil alert			
Starter motor			
Control box			
Reduction			
Fuel pump			

PARTS CATALOGUE NEWS

BOOKNo. : 13Z1C408

Block No.	Ref. No.	Part No.	Description	Reqd. QTY					Base Part No.	Parts catalogue code
				GX 390 T1	GX 390 T2	GX 390 T2X	GX 390 UT2	GX 390 UT2X		
E-6	13		BEARING, RADIAL BALL, 6202 (FUJIKOSHI)	-	0	-	-	-	91004-KZR-602	QC3
E-8	1	13010-Z1C-901	RING SET, PISTON (STD.)	-	1	-	-	-	13010-Z5R-004	QC3
		13011-Z1C-901	RING SET, PISTON (0.25)	-	(1)	-	-	-	13011-Z5R-004	QC3
		13012-Z1C-901	RING SET, PISTON (0.50)	-	(1)	-	-	-	13012-Z5R-004	QC3
		13013-Z1C-901	RING SET, PISTON (0.75)	-	(1)	-	-	-	13013-Z5R-004	QC3
			RING SET, PISTON (STD.)	-	0	-	-	-	13010-Z5T-003	QC3
			RING SET, PISTON (0.25)	-	(0)	-	-	-	13011-Z5T-003	QC3
			RING SET, PISTON (0.25)	-	(0)	-	-	-	13012-Z5T-003	QC3
			RING SET, PISTON (0.25)	-	(0)	-	-	-	13013-Z5T-003	QC3
E-11	1	28400-Z5T-013ZB	STARTER ASSY., RECOIL *NH1*.....BLACK	-	1	-	-	-		QC3
			STARTER ASSY., RECOIL *R280*.....POWER RED	-	0	-	-	-	28400-Z5T-013ZA	QC3
	2	28410-ZE3-W01ZB	CASE COMP., RECOIL STARTER *NH1*.....BLACK	-	1	-	-	-		QC3
			CASE COMP., RECOIL STARTER *R280*.....POWER RED	-	0	-	-	-	28410-ZE3-W01ZP	QC3
E-12	2	19610-Z5T-000ZB	COVER COMP., FAN *NH1*.....BLACK	-	1	-	-	-		QC3
			COVER COMP., FAN *R280*.....POWER RED	-	0	-	-	-	19610-Z5T-000ZA	QC3
E-16-2	15		CAP, MUFFLER	-	0	-	-	-	18331-ZE3-811	QC3
	24		SCREW, TAPPING, 4X6	-	0	-	-	-	90055-ZE1-000	QC3
E-17	3	17510-Z5T-000ZA	TANK COMP., FUEL *NH1*.....BLACK	-	1	-	-	-		QC3
			TANK COMP., FUEL *NH31*.....MCKINLEY WHITE	-	0	-	-	-	17510-Z5T-000ZB	QC3

NOTE A:PART NO. CHANGE D:NEWLY PROVIDED E:PART NO. DELETION K:REQUIRED NO. CORRECTION L:APPLICATION SERIAL NO. CORRECTION
M:PART DESCRIPTION CORRECTION T:APPLICATION CORRECTION Z:REMARKS CHANGE

PARTS CATALOGUE NEWS

BOOKNo. : 13Z1C408

Block No.	Ref. No.	Part No.	Description	Reqd. QTY					Base Part No.	Parts catalogue code
				GX 390 T1	GX 390 T2	GX 390 T2X	GX 390 UT2	GX 390 UT2X		
	4		CAP COMP., FUEL FILLER (CHROME PLATED) (RADICON)	-	0	-	-	-	17620-Z0T-813	QC3
			CAP COMP., FUEL FILLER (CHROME PLATED) (TOYOSHA)	-	0	-	-	-	17620-Z1T-800	QC3
	5		PACKING, FUEL FILLER CAP (39X62X3) (RADICON)	-	0	-	-	-	17631-Z0T-801	QC3
			PACKING, FUEL FILLER CAP (39X62X3) (TOYOSHA)	-	0	-	-	-	17631-Z1T-800	QC3
	12	17672-Z4H-000	FILTER, FUEL.....	-	1	-	-	-		QC3
	13	17620-Z0T-830	CAP ASSY., FUEL FILLER.....	-	1	-	-	-		QC3
	15	17631-Z1T-810	PACKING, FUEL FILLER CAP.....	-	1	-	-	-		QC3
E-22	6	16500-Z5T-830	CONTROL ASSY. (REMOTE) (WITH PLUG)	-	1	-	-	-		QC3
	7		CONTROL ASSY. (REMOTE) (ROD)....	-	0	-	-	-	16500-Z5T-810	QC3
	12	16576-891-000	HOLDER, CABLE.....	-	1	-	-	-		QC3
	17	16594-883-010	HOLDER, WIRE.....	-	1	-	-	-		QC3
	21	90605-230-000	CIRCLIP, 5MM.....	-	1	-	-	-		QC3
	22	93500-04006-0H	SCREW, PAN, 4X6.....	-	1	-	-	-		QC3
	23	93500-05016-0A	SCREW, PAN, 5X16.....	-	1	-	-	-		QC3
	32		HOLDER, CABLE.....	-	0	-	-	-	16576-891-000	QC3
	33		SCREW, PAN, 5X16.....	-	0	-	-	-	93500-05016-0A	QC3
E-28	20	87522-Z0T-801	LABEL, CAUTION.....	-	1	-	-	-	87522-Z0T-800	QC3
E-40	1	18331-ZE3-811	CAP, MUFFLER.....	-	1	-	-	-		QC3

NOTE A:PART NO. CHANGE D:NEWLY PROVIDED E:PART NO. DELETION K:REQUIRED NO. CORRECTION L:APPLICATION SERIAL NO. CORRECTION
M:PART DESCRIPTION CORRECTION T:APPLICATION CORRECTION Z:REMARKS CHANGE

HONDA PARTS CATALOGUE NEWS

CODE NO.	13Z1C408
PARTS CATALOGUE NEWS	GX390T1 GX390T2 GX390T2X GX390UT2 GX390UT2X
NEWS NO.	005

GX390T2-QXEG TYPE sales parts information

NOTE: This Parts Catalogue News explains only the parts of the different model that are produced to conform to addition of the GX390T2-QXEG type.

As for the parts not listed on this Parts Catalogue News, use the parts of the GX390T2-QXE type.

• **Models, parts catalogue codes and applicable serial numbers**

Model	Type		Parts catalogue type	Applicable engine serial No.	Applicable carburetor identification No.
GX390T2	QXE	Base type	QXE	GCBDT-1000001~	BE88B A
	QXEG	Additional type	QXEG	GCBDT-2000001~	

• Features of each type

		Base type	Additional type
Specifications		Model	GX390T2
		Type	
		QXE	QXEG
Crankshaft	30mm Ø Spline		
	25.4mm Ø Spline		
	25.4mm Ø Straight	●	●
	25mm Ø Straight		
	3/16 Tapered		
	1/5 Tapered		
Muffler		●	●
Muffler cover			
Spark arrester			
Fuel tank		●	●
Oil alert			
Starter motor		●	●
Control box		●	●
Reduction			
Fuel pump			

PARTS CATALOGUE NEWS

BOOKNo. :13Z1C408

Block No.	Ref. No.	Part No.	Description	Reqd. QTY					Base Part No.	Parts catalogue code
				GX 390 T1	GX 390 T2	GX 390 T2X	GX 390 UT2	GX 390 UT2X		
E-2	1	12210-Z1C-408	HEAD COMP., CYLINDER.....	-	1	-	-	-	12210-Z5T-416	QXEG
E-3	16	35480-Z5T-003	SWITCH ASSY., OIL LEVEL.....	-	1	-	-	-	35480-ZF6-003	QXEG
E-6	13		BEARING, RADIAL BALL, 6202 (FUJIKOSHI)	-	0	-	-	-	91004-KZR-602	QXEG
E-9	2		CAMSHAFT ASSY.....	-	0	-	-	-	14100-Z5T-810	QXEG
	3		ROD, PUSH.....	-	0	-	-	-	14410-Z1C-000	QXEG
	7		SPRING, WEIGHT RETURN.....	-	0	-	-	-	14568-ZE1-000	QXEG
	8	14711-Z5T-800	VALVE, IN.....	-	1	-	-	-	14711-Z5T-900	QXEG
	9	14721-Z1C-890	VALVE, EX.....	-	1	-	-	-	14721-Z5T-900	QXEG
	15	14791-ZK6-880	GUIDE, PUSH ROD.....	-	1	-	-	-	14791-Z1D-000	QXEG
	20	14410-ZK6-880	ROD COMP., PUSH.....	-	2	-	-	-		QXEG
E-16-2	13	94050-08000	NUT, FLANGE, 8MM.....	-	5	-	-	-		QXEG
E-17	4		CAP COMP., FUEL FILLER (CHROME PLATED) (RADICON)	-	0	-	-	-	17620-Z0T-813	QXEG
E-19	2		PULLEY COMP., STARTER (SCREEN GRID)	-	0	-	-	-	28450-ZE3-W11	QXEG
	3	28451-ZE3-W01	PULLEY, STARTER.....	-	1	-	-	-		QXEG
	6		FLYWHEEL COMP. (SEL-LAMP).....	-	0	-	-	-	31110-Z5T-820	QXEG
	11	31110-Z5T-840	FLYWHEEL COMP. (SEL-4POLE).....	-	1	-	-	-		QXEG
E-20-1	1	30500-Z5T-005	COIL ASSY., IGNITION.....	-	1	-	-	-		QXEG
	2	30700-Z1C-013	TERMINAL ASSY., HIGH TENSION..	-	1	-	-	-	30700-Z1C-813	QXEG
	11	31630-ZE2-842	COIL ASSY., CHARGE (3A).....	-	1	-	-	-	31630-ZE1-013	QXEG
	12		BOLT, FLANGE, 6X35 (CT200).....	-	0	-	-	-	90014-ZE6-000	QXEG
	14	90012-888-000	BOLT, FLANGE, 6X40 (CT200).....	-	2	-	-	-		QXEG
E-23	2	31610-Z5T-821ZB	BOX ASSY., CONTROL (3A) *R280*.....POWER RED	-	1	-	-	-	31610-Z5T-851ZB	QXEG

NOTE A:PART NO. CHANGE D:NEWLY PROVIDED E:PART NO.DELETION K:REQUIRED NO. CORRECTION L:APPLICATION SERIAL NO. CORRECTION
M:PART DESCRIPTION CORRECTION T:APPLICATION CORRECTION Z:REMARKS CHANGE

PARTS CATALOGUE NEWS

BOOKNo. :13Z1C408

Block No.	Ref. No.	Part No.	Description	Reqd. QTY					Base Part No.	Parts catalogue code
				GX 390 T1	GX 390 T2	GX 390 T2X	GX 390 UT2	GX 390 UT2X		
	11	35100-Z5T-821	SWITCH ASSY., COMBINATION (3A-CHARGE)	-	1	-	-	-	35100-Z5T-811	QXEG
	13	38240-ZE2-840	PROTECTOR, CIRCUIT (3.5A).....	-	1	-	-	-	38240-VA3-900	QXEG
	15	87529-Z4T-840	MARK, CONTROL BOX (EXTERNAL)...	-	1	-	-	-	87529-ZE2-812	QXEG
	26	98200-31500	FUSE, BLADE (15A).....	-	1	-	-	-	98200-30500	QXEG
E-28	3		LABEL, CAUTION.....	-	0	-	-	-	87522-Z0T-801	QXEG
	12	87530-ZL8-850	MARK, OIL ALERT (ENGLISH).....	-	1	-	-	-		QXEG
	14	87522-Z0T-801	LABEL, CAUTION.....	-	1	-	-	-		QXEG
	17		MARK, OIL ALERT (ENGLISH).....	-	0	-	-	-	87530-ZL8-850	QXEG
			MARK, OIL ALERT (ENGLISH).....	-	0	-	-	-	87532-ZH8-810	QXEG

NOTE A:PART NO. CHANGE D:NEWLY PROVIDED E:PART NO. DELETION K:REQUIRED NO. CORRECTION L:APPLICATION SERIAL NO. CORRECTION
M:PART DESCRIPTION CORRECTION T:APPLICATION CORRECTION Z:REMARKS CHANGE

HONDA PARTS CATALOGUE NEWS

CODE NO.	13Z1C408
PARTS CATALOGUE NEWS	GX390T1 GX390T2 GX390T2X GX390UT2 GX390UT2X
NEWS NO.	006

GX390T2-SHEC TYPE sales parts information

NOTE: This Parts Catalogue News explains only the parts of the different model that are produced to conform to addition of the GX390T2-SHEC type.

As for the parts not listed on this Parts Catalogue News, use the parts of the GX390UT2X-SE2C type.

•Models, parts catalogue codes and applicable serial numbers

Model	Type		Parts catalogue type	Applicable engine serial No.	Applicable carburetor identification No.
GX390UT2X	SE2C	Base type	SE2C	GCBCT-3000001~	BEC0D A
GX390T2	SHEC	Additional type	SHEC	GCBDT-2000001~	BE94E A

- Features of each type		Base type	Additional type
		Model	GX390T2
Specifications		Type	SE2C
Crankshaft	30mm Ø Spline		
	25.4mm Ø Spline		
	25.4mm Ø Straight		
	25mm Ø Straight	●	●
	3/16 Tapered		
	1/5 Tapered		
Muffler		●	●
Muffler cover			(●)
Spark arrester		●	(●)
Fuel tank		●	●
Oil alert			
Starter motor		●	●
Control box			
Reduction			
Fuel pump			●

PARTS CATALOGUE NEWS

BOOKNo. : 13Z1C408

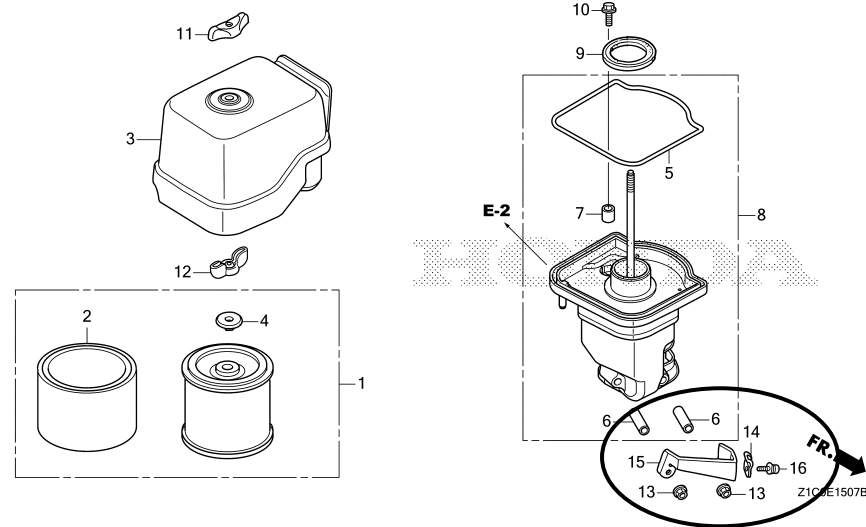
Block No.	Ref. No.	Part No.	Description	Reqd. QTY					Base Part No.	Parts catalogue code
				GX 390 T1	GX 390 T2	GX 390 T2X	GX 390 UT2	GX 390 UT2X		
E-2	1	12210-Z1C-407	HEAD COMP., CYLINDER.....	-	1	-	-	-	12210-Z5T-416	SHEC
	2	12204-ZE2-306	GUIDE, IN. VALVE(O.S.).....	-	1	-	-	-		SHEC
	3	12205-ZE2-305	GUIDE, EX. VALVE(O.S.).....	-	1	-	-	-		SHEC
	5		GASKET, CYLINDER HEAD (NIPPON LEAKLESS)	-	0	-	-	-	12251-Z5T-003	SHEC
	11	90043-ZE8-000	BOLT, STUD, 8X134.5.....	-	2	-	-	-	90042-ZE8-000	SHEC
	22	12372-Z1C-R61	VALVE, UMBRELLA CHECK.....	-	1	-	-	-		SHEC
	23	12373-Z1C-R60	COLLAR, UMBRELLA VALVE.....	-	1	-	-	-		SHEC
	24	12251-Z1C-R61	GASKET, CYLINDER HEAD.....	-	1	-	-	-		SHEC
E-3	10		O-RING, 14MM(NOK).....	-	0	-	-	-	91353-671-004	SHEC
	11		NUT, FLANGE, 10MM.....	-	0	-	-	-	94050-10000	SHEC
	14		BOLT, FLANGE, 6X12.....	-	0	-	-	-	95701-06012-00	SHEC
	16		SWITCH ASSY., OIL LEVEL.....	-	0	-	-	-	35480-ZF6-003	SHEC
E-6	4	15600-Z0T-810	CAP ASSY., OIL FILLER(GAUGE) (GRAY)	-	1	-	-	-	15600-Z1C-000	SHEC
	22	15600-Z0T-810	CAP ASSY., OIL FILLER(GAUGE) (GRAY)	-	1	-	-	-	15600-Z1C-000	SHEC
E-8	1	13011-Z5R-004	RING SET, PISTON(0.25) (TEIKOKU)	-	(1)	-	-	-		SHEC
		13011-Z5T-003	RING SET, PISTON(0.25)(RIKEN)	-	(1)	-	-	-		SHEC
		13012-Z5R-004	RING SET, PISTON(0.50) (TEIKOKU)	-	(1)	-	-	-		SHEC
		13012-Z5T-003	RING SET, PISTON(0.50)(RIKEN)	-	(1)	-	-	-		SHEC
		13013-Z5R-004	RING SET, PISTON(0.75) (TEIKOKU)	-	(1)	-	-	-		SHEC
		13013-Z5T-003	RING SET, PISTON(0.75)(RIKEN)	-	(1)	-	-	-		SHEC
	2	13102-Z5T-800	PISTON(0.25).....	-	(1)	-	-	-		SHEC

PARTS CATALOGUE NEWS

BOOKNo. :13Z1C408

Block No.	Ref. No.	Part No.	Description	Reqd. QTY					Base Part No.	Parts catalogue code
				GX 390 T1	GX 390 T2	GX 390 T2X	GX 390 UT2	GX 390 UT2X		
		13103-Z5T-800	PISTON (0.50).....	-	(1)	-	-	-	SHEC	
		13104-Z5T-800	PISTON (0.75).....	-	(1)	-	-	-	SHEC	
	4	13200-Z1C-305	ROD ASSY., CONNECTING (0.25 UNDER SIZE)	-	(1)	-	-	-	SHEC	
E-12	1		CLIP, TUBE.....	-	0	-	-	-	16731-ZE2-003 SHEC	
E-14	9	16100-Z5T-933	CARBURETOR ASSY. (BE94E A).....	-	1	-	-	-	16100-Z5T-WA1 SHEC	
	14		INSULATOR, CARBURETOR.....	-	0	-	-	-	16211-Z5T-000 SHEC	
	39	16211-Z1C-R60	INSULATOR COMP., CARBURETOR...	-	1	-	-	-	SHEC	

E-15-7 AIR CLEANER (8)



E-15-7	14	16582-889-U20	HOLDER, CONTROL CABLE.....	-	1	-	-	-	SHEC
	15	16597-ZE2-780	STAY COMP., WIRE HOLDER.....	-	1	-	-	-	SHEC
	16	93892-05016-00	SCREW-WASHER, 5X16.....	-	1	-	-	-	SHEC
E-16-2	6	18336-ZE3-000	FLANGE COMP., BAFFLE.....	-	1	-	-	-	SHEC

PARTS CATALOGUE NEWS

BOOKNo. : 13Z1C408

Block No.	Ref. No.	Part No.	Description	Reqd. QTY					Base Part No.	Parts catalogue code
				GX 390 T1	GX 390 T2	GX 390 T2X	GX 390 UT2	GX 390 UT2X		
	7	18350-Z5T-800	ARRESTER COMP., SPARK.....	-	(1)	-	-	-	SHEC	
	9	18381-Z1C-801	GASKET, MUFFLER (THAI LEAKLESS)	-	1	-	-	-	SHEC	
		18381-ZE2-801	GASKET, MUFFLER (NIPPON LEAKLESS)	-	1	-	-	-	SHEC	
	12	90050-ZE1-000	SCREW, TAPPING, 5X8.....	-	6	-	-	-	SHEC	
	14	17233-896-701	COLLAR, AIR CLEANER CASE.....	-	(2)	-	-	-	SHEC	
	16	18433-Z5T-000	COVER COMP., MUFFLER.....	-	(1)	-	-	-	SHEC	
	17	18434-Z5T-000	COVER COMP., RR. MUFFLER.....	-	(1)	-	-	-	SHEC	
	18	18436-ZH8-W41	BASE COMP., MUFFLER COVER.....	-	(1)	-	-	-	SHEC	
	19	18437-Z5T-000	STAY, MUFFLER COVER.....	-	(1)	-	-	-	SHEC	
	21	18466-ZH8-W40	SPACER, MUFFLER COVER.....	-	(3)	-	-	-	SHEC	
	22	90050-ZE1-000	SCREW, TAPPING, 5X8.....	-	(1)	-	-	-	SHEC	
	23	90050-ZH8-W40	SCREW, TAPPING, 5X25.....	-	(2)	-	-	-	SHEC	
	25	90301-782-000	NUT, U, 6MM.....	-	(3)	-	-	-	SHEC	
	26	90302-KF9-900	NUT, HEX., 5MM.....	-	(3)	-	-	-	SHEC	
	27	90006-Z5T-000	SCREW, TAPPING, 6X25.....	-	(1)	-	-	-	SHEC	
	28	93891-06020-07	SCREW-WASHER, 6X20.....	-	(3)	-	-	-	SHEC	
	29	94103-05700	WASHER, PLAIN, 5MM.....	-	(3)	-	-	-	SHEC	
	31	90050-ZE1-000	SCREW, TAPPING, 5X8.....	-	(2)	-	-	-	SHEC	
	36	19619-ZL8-300	COLLAR, FAN COVER.....	-	(1)	-	-	-	SHEC	
	37		GASKET, MUFFLER (ARRESTER) (THAI LEAKLESS)	-	0	-	-	-	18381-Z8S-801 SHEC	
			GASKET, MUFFLER (ARRESTER) (NIPPON LEAKLESS)	-	0	-	-	-	18381-ZE2-W10 SHEC	
E-17	2	16955-ZE1-010	JOINT, FUEL TANK.....	-	1	-	-	-	SHEC	

PARTS CATALOGUE NEWS

BOOKNo. :13Z1C408

Block No.	Ref. No.	Part No.	Description	Reqd. QTY					Base Part No.	Parts catalogue code
				GX 390 T1	GX 390 T2	GX 390 T2X	GX 390 UT2	GX 390 UT2X		
	3	17510-Z5T-000ZA	TANK COMP., FUEL *NH1*.....BLACK	-	1	-	-	-		SHEC
		17510-Z5T-000ZB	TANK COMP., FUEL *NH31*.....MCKINLEY WHITE	-	1	-	-	-		SHEC
	7	91353-671-004	O-RING, 14MM (NOK).....	-	1	-	-	-		SHEC
	8	94050-08000	NUT, FLANGE, 8MM.....	-	2	-	-	-		SHEC
	11	95701-08025-00	BOLT, FLANGE, 8X25.....	-	1	-	-	-		SHEC
	12	17670-Z1C-R60	FILTER COMP., FUEL.....	-	1	-	-	-		SHEC
	13	17620-Z4H-920	CAP COMP., FUEL FILLER.....	-	1	-	-	-		SHEC
	15	17631-Z0T-801	PACKING, FUEL FILLER CAP (39X62X3) (RADICON)	-	1	-	-	-		SHEC
	20	16852-Z1C-R60	TUBE, FUEL TANK.....	-	1	-	-	-		SHEC
	21	95002-02080	CLIP, TUBE (B8).....	-	1	-	-	-		SHEC
	22	95002-02100	CLIP, TUBE (B10).....	-	1	-	-	-		SHEC
E-17-1	1		RUBBER, SUPPORTER (107MM).....	-	0	-	-	-	16854-ZH8-000	SHEC
	2		JOINT, FUEL TANK.....	-	0	-	-	-	16955-ZE1-010	SHEC
	3		TANK ASSY., FUEL (GAUGE) *NH31*.....MCKINLEY WHITE	-	0	-	-	-	17500-Z5T-811ZB	SHEC
			TANK ASSY., FUEL (GAUGE) *NH1*.....BLACK	-	0	-	-	-	17500-Z5T-811ZC	SHEC
	5		GAUGE ASSY., FUEL.....	-	0	-	-	-	17630-Z5T-003	SHEC
	6		PACKING, FUEL FILLER CAP (39X62X3) (RADICON)	-	0	-	-	-	17631-Z0T-801	SHEC
	7		FILTER, FUEL.....	-	0	-	-	-	17672-Z4H-000	SHEC
	9		O-RING, 14MM (NOK).....	-	0	-	-	-	91353-671-004	SHEC
	10		NUT, FLANGE, 8MM.....	-	0	-	-	-	94050-08000	SHEC
	11		TUBE, FUEL, 4. 5X235 (FKM).....	-	0	-	-	-	91424-Z5T-013	SHEC

PARTS CATALOGUE NEWS

BOOKNo. :13Z1C408

Block No.	Ref. No.	Part No.	Description	Reqd. QTY					Base Part No.	Parts catalogue code
				GX 390 T1	GX 390 T2	GX 390 T2X	GX 390 UT2	GX 390 UT2X		
	13		BOLT, FLANGE, 8X25.....	-	0	-	-	-	95701-08025-00	SHEC
	15		CAP COMP., FUEL FILLER.....	-	0	-	-	-	17620-Z4H-920	SHEC
	16		CLAMP, TUBE (D8).....	-	0	-	-	-	95002-40800-08	SHEC
E-18	1	16700-Z0M-782	PUMP ASSY., FUEL.....	-	1	-	-	-		SHEC
	2	16711-Z1C-R60	STAY, FUEL PUMP.....	-	1	-	-	-		SHEC
	3	16853-Z1C-R60	TUBE, FUEL.....	-	1	-	-	-		SHEC
	4	16882-Z1C-R60	TUBE, DIAPHRAGM.....	-	1	-	-	-		SHEC
	5	90041-Z1C-R60	BOLT, FUEL PUMP STAY.....	-	1	-	-	-		SHEC
	6	91616-KFT-620	NUT, FLANGE, 5MM.....	-	2	-	-	-		SHEC
	7	93894-05020-00	SCREW-WASHER, 5X20.....	-	2	-	-	-		SHEC
	8	94050-06000	NUT, FLANGE, 6MM.....	-	1	-	-	-		SHEC
	9	95002-02070	CLIP, TUBE (B7).....	-	1	-	-	-		SHEC
	10	95002-02080	CLIP, TUBE (B8).....	-	1	-	-	-		SHEC
	11	95002-02100	CLIP, TUBE (B10).....	-	2	-	-	-		SHEC
E-20-1	1	30500-Z5T-003	COIL ASSY., IGNITION.....	-	1	-	-	-		SHEC
		30500-Z5T-004	COIL ASSY., IGNITION(IIDA)....	-	1	-	-	-		SHEC
		30500-Z5T-005	COIL ASSY., IGNITION(MAHLE)...	-	1	-	-	-		SHEC
	2	30700-Z1C-813	CAP ASSY., NOISE SUPPRESSOR (NGK Y-EZD)	-	1	-	-	-		SHEC
	3	31512-ZE2-000	GROMMET, CORD.....	-	1	-	-	-		SHEC
	4	32110-Z5K-820	HARNES ASSY., ENGINE WIRE (SEL)	-	1	-	-	-		SHEC
	5	90015-883-000	BOLT, FLANGE, 6X28 (CT200).....	-	2	-	-	-		SHEC
	8	31511-ZE3-000	CLAMPER, CORD.....	-	1	-	-	-		SHEC
	10	90013-883-000	BOLT, FLANGE, 6X12 (CT200).....	-	1	-	-	-		SHEC

PARTS CATALOGUE NEWS

BOOKNo. : 13Z1C408

Block No.	Ref. No.	Part No.	Description	Reqd. QTY					Base Part No.	Parts catalogue code
				GX 390 T1	GX 390 T2	GX 390 T2X	GX 390 UT2	GX 390 UT2X		
	13	31630-ZE2-861	COIL ASSY., CHARGE (10A).....	-	1	-	-	-	SHEC	
	14	90012-888-000	BOLT, FLANGE, 6X40 (CT200).....	-	4	-	-	-	SHEC	
E-20-3	2		COIL ASSY., IGNITION.....	-	0	-	-	-	30500-Z5T-003 SHEC	
			COIL ASSY., IGNITION (IIDA)....	-	0	-	-	-	30500-Z5T-004 SHEC	
	3		CAP ASSY., NOISE SUPPRESSOR (NGK Y-EZD)	-	0	-	-	-	30700-Z1C-813 SHEC	
	5		CLAMPER, CORD.....	-	0	-	-	-	31511-ZE3-000 SHEC	
	6		GROMMET, CORD.....	-	0	-	-	-	31512-ZE2-000 SHEC	
	7		COIL ASSY., CHARGE (10A).....	-	0	-	-	-	31630-ZE2-861 SHEC	
	9		HARNES ASSY., ENGINE WIRE (SEL)	-	0	-	-	-	32110-Z5K-810 SHEC	
	10		BOLT, FLANGE, 6X40 (CT200).....	-	0	-	-	-	90012-888-000 SHEC	
	11		BOLT, FLANGE, 6X12 (CT200).....	-	0	-	-	-	90013-883-000 SHEC	
	13		BOLT, FLANGE, 6X28 (CT200).....	-	0	-	-	-	90015-883-000 SHEC	
	14		CLIP, PURSE LOCK.....	-	0	-	-	-	90630-751-000 SHEC	
E-22	7	16500-Z1C-R60	CONTROL ASSY.....	-	1	-	-	-	16500-Z5T-800 SHEC	
	9	16571-Z1C-R60	LEVER, CONTROL.....	-	1	-	-	-	16571-ZE3-W00 SHEC	
	27	16599-ZG1-M10	COLLAR, STOPPER.....	-	(1)	-	-	-	SHEC	
	28	90016-ZG9-N30	SCREW, RECESSED, 5X25.....	-	(1)	-	-	-	SHEC	
E-28	13	87114-ZH7-850	LABEL, WARNING (NOT CERTIFIED FOR SALE)	-	1	-	-	-	SHEC	
E-40	29		MARK, OPERATOR CAUTION (ENGLISH) (MADE IN THAI)	-	0	-	-	-	87516-Z4H-020 SHEC	
			MARK, OPERATOR CAUTION (FRENCH) (MADE IN THAI)	-	0	-	-	-	87516-Z4H-802 SHEC	
	30		MARK, EX. CAUTION (ENGLISH)....	-	0	-	-	-	87539-Z0J-000 SHEC	
			MARK, EX. CAUTION (FRENCH).....	-	0	-	-	-	87539-Z0J-810 SHEC	

HONDA PARTS CATALOGUE NEWS

PARTS CATALOGUE - CORRECTED

CODE NO.	13Z1C408
PARTS CATALOGUE NEWS	GX390T1 GX390T2 GX390T2X GX390UT2 GX390UT2X
NEWS NO.	007

Block No.	Ref. No.	Note	Part No.	Description	Reqd. QTY					Serial No.	Parts catalogue code
					GX 390 T1	GX 390 T2	GX 390 T2X	GX 390 UT2	GX 390 UT2X		
E-20-1	1	L	30500-Z5T-004	COIL ASSY., IGNITION(IIDA)....	-	1	1	-	1	-----	EDS5, EDT5, ES5, LEAJ, LH, LH2, LHB5, LHP1, LWD1, LWP1 LXE5, LXE8, LXE9, LXQ5, PKT5, PX, PXE5, PXU5, QA25 QAA5, QAPW, QAPW/A, QBE1, QBE1/A, QC1, QC2, QC3, QC55 QC95, QCT, QCWE, QH, QHB1, QHB1/A, QHB2, QHB2/A, QHB3 QHB5, QHP1, QK45, QMH, QN, QNR5, QP, QPW, QX, QX5, QXA5 QXB5, QXE, QXE5, QXEG, QXEK, QXK, QXQ5, QXU5, SCM5, SEM SH, SHEC, SHMV, SJG, SMEJ, SMM, STCH, SWA5, SWD4, SWDH SWDL, SWSC, SWX2, SX5, SXE5, SXK, SXQ5, VEP5, VMQ3, VMT3 VPX5, VPXP, VPXP/A, VS15, VS3, VS4, VS5, VS6, VSB4, VSD5 VSEP, VSP, VSP/A, VWC5, VWE5, VWT5, VX, VXB5, VXE, VXEH VXH, V XK
					-	1	-	-	-	-----	2333336 EWS1, EWS3, EWS4, EWS5

NOTE A:PART NO. CHANGE D:NEWLY PROVIDED E:PART NO. DELETION K:REQUIRED NO. CORRECTION L:APPLICATION SERIAL NO. CORRECTION
M:PART DESCRIPTION CORRECTION T:APPLICATION CORRECTION Z:REMARKS CHANGE

HONDA PARTS CATALOGUE NEWS

PARTS CATALOGUE - CORRECTED

CODE NO.	13Z1C408
PARTS CATALOGUE NEWS	GX390T1 GX390T2 GX390T2X GX390UT2 GX390UT2X
NEWS NO.	008

Block No.	Ref. No.	Note	Part No.	Description	Reqd. QTY					Serial No.	Parts catalogue code	
					GX 390 T1	GX 390 T2	GX 390 T2X	GX 390 UT2	GX 390 UT2X			
E-8	1	T	13011-Z5R-004	RING SET, PISTON (0.25) (TEIKOKU)	(1)	-	-	-	-	-----	-----	ES3, LBH, LBHB, LBHS, LH2, QAPW, QBE1, QBH, QBHS, QBL5, QBS, QHB1, QTN, SWE2, SWX2, VMQ3, VMT3, VS4, VS6, VSB4, VSB5, VXX2
					(1)	-	-	-	-	1438370	-----	LH, LHB5, LHP1, LP, LT, LXE9, PX, QH, QHB3, QHB5, QHP1, QMH, QX, QXE, QXEK, QXK, SH, SHE, SWE, SWX, SX, SXC, SXE, VSP, VTE5, VX, VXE, VXX, VXU1
					(1)	-	-	-	-	1450801	-----	QN, QP, QT, QTD, SN
					-	(1)	-	-	-	-----	-----	EDS1, EDS5, EDT1, EDT5, ES2, ES5, EWS3, EWS5, EZD5, EZDS, EZS4, EZS5, LBH, LBHB, LBHS, LH, LH2, LHB5, LHP1, LTK1, LWD, LWD1, LWP1, LXE5, LXE9, LXQ5, PX, QA25, QAA5, QBH, QBHS, QBHZ, QBL5, QBS, QBS1, QC1, QC2, QCT, QCWE, QH, QHB3, QHB5, QHP1, QHT, QHT1, QHTN, QK45, QKA5, QMH, QN, QNG, QNR5, QP, QTD, QTE, QTG, QTN, QX, QX5, QXA5, QXB5, QXE, QXE5, QXEG, QXEK, QXG, QXK, QXQ5, QXU5, SC15, SC5, SCM5, SEM, SH, SHEC, SM11, SME5, SMM, SMTP, STCH, SWA5, SWDH, SWDL, SWE2, SWSC, SWX, SWX2, SX, SXC, VEP5, VMQ3, VMT, VMT2, VMT3, VPX5, VS15, VS4, VS6, VSB3, VSB4, VSD5, VSEP, VTE5, VWC5, VWE5, VWT5, VX, VXB5, VXE, VXEH, VXG, VXH, VXX, VXU1, VZKK, VZS5, VZS6, VZX
		T	13011-Z5T-003	RING SET, PISTON (0.25) (RIKEN).	(1)	-	-	-	-	-----	-----	ES2, ES3, LBH, LBHB, LBHS, LH2, QAPW, QBE1, QBH, QBHS, QBL5, QBS, QHB1, QTN, SWE2, SWX2, VMQ3, VMT2, VMT3, VS4, VS6, VSB4, VSB5, VXX2

NOTE A:PART NO. CHANGE D:NEWLY PROVIDED E:PART NO. DELETION K:REQUIRED NO. CORRECTION L:APPLICATION SERIAL NO. CORRECTION
M:PART DESCRIPTION CORRECTION T:APPLICATION CORRECTION Z:REMARKS CHANGE

PARTS CATALOGUE NEWS

BOOKNo. :13Z1C408

Block No.	Ref. No.	Note	Part No.	Description	Reqd. QTY					Serial No.	Parts catalogue code	
					GX 390 T1	GX 390 T2	GX 390 T2X	GX 390 UT2	GX 390 UT2X			
					(1)	-	-	-	-	1438370	-----	LH, LHB5, LHP1, LP, LT, LXE9, PX, QH, QHB3, QHB5, QHP1 QMH, QX, QXE, QXEK, QXK, SH, SHE, SWE, SWX, SX, SXC, SXE VSP, VTE5, VX, VXE, VXK, VXU1
					(1)	-	-	-	-	1450801	-----	QN, QP, QT, QTD, SN
					-	(1)	-	-	-	-----	-----	EDS1, EDS5, EDT1, EDT5, ES2, ES5, EWS3, EWS5, EZD5 EZDS, EZS4, EZS5, LBH, LBHB, LBHS, LH, LH2, LHB5, LHP1 LTK1, LWD, LWP1, LXE5, LXE9, LXQ5, PX, QA25, QAA5, QBH QBHS, QBHZ, QBL5, QBS, QBS1, QC1, QC2, QCT, QCWE, QH QHB3, QHB5, QHP1, QHT, QHT1, QHTN, QK45, QKA5, QMH, QN QNG, QNR5, QP, QTD, QTE, QTG, QTN, QX, QX5, QXA5, QXB5 QXE, QXE5, QXEG, QXEK, QXG, QXK, QXQ5, QXU5, SC15, SC5 SCM5, SEM, SH, SHEC, SM11, SME5, SMM, STCH, SWA5, SWDH SWDL, SWE2, SWSC, SWX, SWX2, SX, SXC, VEP5, VMQ3, VMT VMT2, VMT3, VPX5, VS15, VS4, VS6, VSB3, VSB4, VSD5 VSEP, VTE5, VWC5, VWE5, VWT5, VX, VXB5, VXE, VXEK, VXG VXH, VXK, VXU1, VZKK, VZS5, VZS6, VZX
		T	13012-Z5R-004	RING SET, PISTON(0.50) (TEIKOKU)	(1)	-	-	-	-	-----	-----	ES3, LBH, LBHB, LBHS, LH2, QAPW, QBE1, QBH, QBHS, QBL5 QBS, QHB1, QTN, SWE2, SWX2, VMQ3, VMT3, VS4, VS6, VSB4 VSB5, VXK2
					(1)	-	-	-	-	1438370	-----	LH, LHB5, LHP1, LP, LT, LXE9, PX, QH, QHB3, QHB5, QHP1 QMH, QX, QXE, QXEK, QXK, SH, SHE, SWE, SWX, SX, SXC, SXE VSP, VTE5, VX, VXE, VXK, VXU1
					(1)	-	-	-	-	1450801	-----	QN, QP, QT, QTD, SN
					-	(1)	-	-	-	-----	-----	EDS1, EDS5, EDT1, EDT5, ES2, ES5, EWS3, EWS5, EZD5 EZDS, EZS4, EZS5, LBH, LBHB, LBHS, LH, LH2, LHB5, LHP1 LTK1, LWD, LWD1, LWP1, LXE5, LXE9, LXQ5, PX, QA25, QAA5 QBH, QBHS, QBHZ, QBL5, QBS, QBS1, QC1, QC2, QCT, QCWE QH, QHB3, QHB5, QHP1, QHT, QHT1, QHTN, QK45, QKA5, QMH QN, QNG, QNR5, QP, QTD, QTE, QTG, QTN, QX, QX5, QXA5 QXB5, QXE, QXE5, QXEG, QXEK, QXG, QXK, QXQ5, QXU5, SC15 SC5, SCM5, SEM, SH, SHEC, SM11, SME5, SMM, SMTP, STCH SWA5, SWDH, SWDL, SWE2, SWSC, SWX, SWX2, SX, SXC, VEP5 VMQ3, VMT, VMT2, VMT3, VPX5, VS15, VS4, VS6, VSB3, VSB4 VSD5, VSEP, VTE5, VWC5, VWE5, VWT5, VX, VXB5, VXE, VXEK VXG, VXH, VXK, VXU1, VZKK, VZS5, VZS6, VZX
		T	13012-Z5T-003	RING SET, PISTON(0.50) (RIKEN).	(1)	-	-	-	-	-----	-----	ES2, LBH, LBHB, LBHS, LH2, QAPW, QBE1, QBH, QBHS, QBL5 QBS, QHB1, QTN, SWE2, SWX2, VMT2, VXK2

NOTE A:PART NO. CHANGE D:NEWLY PROVIDED E:PART NO. DELETION K:REQUIRED NO. CORRECTION L:APPLICATION SERIAL NO. CORRECTION
M:PART DESCRIPTION CORRECTION T:APPLICATION CORRECTION Z:REMARKS CHANGE

PARTS CATALOGUE NEWS

BOOKNo. :13Z1C408

Block No.	Ref. No.	Note	Part No.	Description	Reqd. QTY					Serial No.	Parts catalogue code	
					GX 390 T1	GX 390 T2	GX 390 T2X	GX 390 UT2	GX 390 UT2X			
					(1)	-	-	-	-	1438370	-----	LH, LHB5, LHP1, LP, LT, LXE9, PX, QH, QHB3, QHB5, QHP1 QMH, QX, QXE, QXEK, QXK, SH, SHE, SWE, SWX, SX, SXC, SXE VSP, VTE5, VX, VXE, VXK, VXU1
					(1)	-	-	-	-	1450801	-----	QN, QP, QT, QTD, SN
					-	(1)	-	-	-	-----	-----	EDS1, EDS5, EDT1, EDT5, ES2, ES5, EWS3, EWS5, EZD5 EZDS, EZS4, EZS5, LBH, LBHB, LBHS, LH, LH2, LHB5, LHP1 LTK1, LWD, LWP1, LXE5, LXE9, LXQ5, PX, QA25, QAA5, QBH QBHS, QBHZ, QBL5, QBS, QBS1, QC1, QC2, QCT, QCWE, QH QHB3, QHB5, QHP1, QHT, QHT1, QHTN, QK45, QKA5, QMH, QN QNG, QNR5, QP, QTD, QTE, QTG, QTN, QX, QX5, QXA5, QXB5 QXE, QXE5, QXEG, QXEK, QXG, QXK, QXQ5, QXU5, SC15, SC5 SCM5, SEM, SH, SHEC, SM11, SME5, SMM, STCH, SWA5, SWDH SWDL, SWE2, SWSC, SWX, SWX2, SX, SXC, VEP5, VMQ3, VMT VMT2, VMT3, VPX5, VS15, VS4, VS6, VSB3, VSB4, VSD5 VSEP, VTE5, VWC5, VWE5, VWT5, VX, VXB5, VXE, VXEK, VXG VXH, VXK, VXU1, VZKK, VZS5, VZS6, VZX
	T		13013-Z5R-004	RING SET, PISTON(0.75) (TEIKOKU)	(1)	-	-	-	-	-----	-----	ES3, LBH, LBHB, LBHS, LH2, QAPW, QBE1, QBH, QBHS, QBL5 QBS, QHB1, QTN, SWE2, SWX2, VMQ3, VMT3, VS4, VS6, VSB4 VSB5, VXK2
					(1)	-	-	-	-	1438370	-----	LH, LHB5, LHP1, LP, LT, LXE9, PX, QH, QHB3, QHB5, QHP1 QMH, QX, QXE, QXEK, QXK, SH, SHE, SWE, SWX, SX, SXC, SXE VSP, VTE5, VX, VXE, VXK, VXU1
					(1)	-	-	-	-	1450801	-----	QN, QP, QT, QTD, SN
					-	(1)	-	-	-	-----	-----	EDS1, EDS5, EDT1, EDT5, ES2, ES5, EWS3, EWS5, EZD5 EZDS, EZS4, EZS5, LBH, LBHB, LBHS, LH, LH2, LHB5, LHP1 LTK1, LWD, LWD1, LWP1, LXE5, LXE9, LXQ5, PX, QA25, QAA5 QBH, QBHS, QBHZ, QBL5, QBS, QBS1, QC1, QC2, QCT, QCWE QH, QHB3, QHB5, QHP1, QHT, QHT1, QHTN, QK45, QKA5, QMH QN, QNG, QNR5, QP, QTD, QTE, QTG, QTN, QX, QX5, QXA5 QXB5, QXE, QXE5, QXEG, QXEK, QXG, QXK, QXQ5, QXU5, SC15 SC5, SCM5, SEM, SH, SHEC, SM11, SME5, SMM, SMTP, STCH SWA5, SWDH, SWDL, SWE2, SWSC, SWX, SWX2, SX, SXC, VEP5 VMQ3, VMT, VMT2, VMT3, VPX5, VS15, VS4, VS6, VSB3, VSB4 VSD5, VSEP, VTE5, VWC5, VWE5, VWT5, VX, VXB5, VXE, VXEK VXG, VXH, VXK, VXU1, VZKK, VZS5, VZS6, VZX
	T		13013-Z5T-003	RING SET, PISTON(0.75) (RIKEN).	(1)	-	-	-	-	-----	-----	ES2, LBH, LBHB, LBHS, LH2, QAPW, QBE1, QBH, QBHS, QBL5 QBS, QHB1, QTN, SWE2, SWX2, VMT2, VXK2

NOTE A:PART NO. CHANGE D:NEWLY PROVIDED E:PART NO. DELETION K:REQUIRED NO. CORRECTION L:APPLICATION SERIAL NO. CORRECTION
M:PART DESCRIPTION CORRECTION T:APPLICATION CORRECTION Z:REMARKS CHANGE

PARTS CATALOGUE NEWS

BOOKNo. :13Z1C408

Block No.	Ref. No.	Note	Part No.	Description	Reqd. QTY					Serial No.	Parts catalogue code	
					GX 390 T1	GX 390 T2	GX 390 T2X	GX 390 UT2	GX 390 UT2X			
					(1)	-	-	-	-	1438370	-----	LH, LHB5, LHP1, LP, LT, LXE9, PX, QH, QHB3, QHB5, QHP1 QMH, QX, QXE, QXEK, QXK, SH, SHE, SWE, SWX, SX, SXC, SXE VSP, VTE5, VX, VXE, VXK, VXU1
					(1)	-	-	-	-	1450801	-----	QN, QP, QT, QTD, SN
					-	(1)	-	-	-	-----	-----	EDS1, EDS5, EDT1, EDT5, ES2, ES5, EWS3, EWS5, EZD5 EZDS, EZS4, EZS5, LBH, LBHB, LBHS, LH, LH2, LHB5, LHP1 LTK1, LWD, LWP1, LXE5, LXE9, LXQ5, PX, QA25, QAA5, QBH QBHS, QBHZ, QBL5, QBS, QBS1, QC1, QC2, QCT, QCWE, QH QHB3, QHB5, QHP1, QHT, QHT1, QHTN, QK45, QKA5, QMH, QN QNG, QNR5, QP, QTD, QTE, QTG, QTN, QX, QX5, QXA5, QXB5 QXE, QXE5, QXEG, QXEK, QXG, QXK, QXQ5, QXU5, SC15, SC5 SCM5, SEM, SH, SHEC, SM11, SME5, SMM, STCH, SWA5, SWDH SWDL, SWE2, SWSC, SWX, SWX2, SX, SXC, VEP5, VMQ3, VMT VMT2, VMT3, VPX5, VS15, VS4, VS6, VSB3, VSB4, VSD5 VSEP, VTE5, VWC5, VWE5, VWT5, VX, VXB5, VXE, VXEH, VXG VXH, VXK, VXU1, VZKK, VZS5, VZS6, VZX
	2	T	13102-Z5T-800	PISTON (0.25).....	-	(1)	-	-	-	-----	-----	EDS1, EDS5, EDT1, EDT5, ES2, ES5, EWS3, EWS5, EZD5 EZDS, EZS4, EZS5, LBD, LBH, LBHB, LBHS, LBP, LH, LH2 LHB5, LHP1, LTK1, LWD, LWD1, LWP1, LXE5, LXE9, LXQ5, PX QA25, QAA5, QBD, QBH, QBHS, QBHZ, QBL, QBL5, QBP, QBS QBS1, QBT, QC1, QC2, QC3, QCT, QCWE, QH, QHB3, QHB5 QHP1, QHT, QHT1, QHTN, QK45, QKA5, QMH, QN, QNG, QNR5 QP, QTD, QTE, QTG, QTN, QX, QX5, QXA5, QXB5, QXE, QXE5 QXEG, QXEK, QXG, QXK, QXQ5, QXU5, SC15, SC5, SCM5, SEM SH, SHEC, SM11, SME5, SMM, SMT, STCH, SWA5, SWDH, SWDL SWE2, SWSC, SWX, SWX2, SX, SXC, VEP5, VMQ3, VMT, VMT2 VMT3, VPX5, VS15, VS4, VS6, VSB3, VSB4, VSD5, VSEP VTE5, VWC5, VWE5, VWT5, VX, VXB5, VXE, VXEH, VXG, VXH VXK, VXU1, VZKK, VZS5, VZS6, VZX
		T	13103-Z5T-800	PISTON (0.50).....	-	(1)	-	-	-	-----	-----	EDS1, EDS5, EDT1, EDT5, ES2, ES5, EWS3, EWS5, EZD5 EZDS, EZS4, EZS5, LBD, LBH, LBHB, LBHS, LBP, LH, LH2 LHB5, LHP1, LTK1, LWD, LWD1, LWP1, LXE5, LXE9, LXQ5, PX QA25, QAA5, QBD, QBH, QBHS, QBHZ, QBL, QBL5, QBP, QBS QBS1, QBT, QC1, QC2, QC3, QCT, QCWE, QH, QHB3, QHB5 QHP1, QHT, QHT1, QHTN, QK45, QKA5, QMH, QN, QNG, QNR5 QP, QTD, QTE, QTG, QTN, QX, QX5, QXA5, QXB5, QXE, QXE5 QXEG, QXEK, QXG, QXK, QXQ5, QXU5, SC15, SC5, SCM5, SEM SH, SHEC, SM11, SME5, SMM, SMT, STCH, SWA5, SWDH, SWDL SWE2, SWSC, SWX, SWX2, SX, SXC, VEP5, VMQ3, VMT, VMT2 VMT3, VPX5, VS15, VS4, VS6, VSB3, VSB4, VSD5, VSEP VTE5, VWC5, VWE5, VWT5, VX, VXB5, VXE, VXEH, VXG, VXH VXK, VXU1, VZKK, VZS5, VZS6, VZX

NOTE A:PART NO. CHANGE D:NEWLY PROVIDED E:PART NO. DELETION K:REQUIRED NO. CORRECTION L:APPLICATION SERIAL NO. CORRECTION M:PART DESCRIPTION CORRECTION T:APPLICATION CORRECTION Z:REMARKS CHANGE

PARTS CATALOGUE NEWS

BOOKNo. :13Z1C408

Block No.	Ref. No.	Note	Part No.	Description	Reqd. QTY					Serial No.	Parts catalogue code
					GX 390 T1	GX 390 T2	GX 390 T2X	GX 390 UT2	GX 390 UT2X		
		T	13104-Z5T-800	PISTON (0.75).....	-	(1)	-	-	-	-----	EDS1, EDS5, EDT1, EDT5, ES2, ES5, EWS3, EWS5, EZD5 EZDS, EZS4, EZS5, LBD, LBH, LBHB, LBHS, LBP, LH, LH2 LHB5, LHP1, LTK1, LWD, LWD1, LWP1, LXE5, LXE9, LXQ5, PX QA25, QAA5, QBD, QBH, QBHS, QBHZ, QBL, QBL5, QBP, QBS QBS1, QBT, QC1, QC2, QC3, QCT, QCWE, QH, QHB3, QHB5 QHP1, QHT, QHT1, QHTN, QK45, QKA5, QMH, QN, QNG, QNR5 QP, QTD, QTE, QTG, QTN, QX, QX5, QXA5, QXB5, QXE, QXE5 QXEG, QXEK, QXG, QXK, QXQ5, QXU5, SC15, SC5, SCM5, SEM SH, SHEC, SM11, SME5, SMM, SMTP, STCH, SWA5, SWDH, SWDL SWE2, SWSC, SWX, SWX2, SX, SXC, VEP5, VMQ3, VMT, VMT2 VMT3, VPX5, VS15, VS4, VS6, VSB3, VSB4, VSD5, VSEP VTE5, VWC5, VWE5, VWT5, VX, VXB5, VXE, VXE8, VXG, VXH VXK, VXU1, VZKK, VZS5, VZS6, VZX
	4	T	13200-Z1C-305	ROD ASSY., CONNECTING (0.25 UNDER SIZE)	(1)	-	-	-	-	-----	ES2, ES3, LBH, LBHB, LBHS, LH, LH2, LHB5, LHP1, LT, LXE8 LXE9, LXU, PX, PXE8, PXU, QA2, QA26, QAA2, QAA6, QAPW QBE1, QBH, QBHS, QBL5, QBS, QH, QHB1, QHB3, QHB5, QHP1 QMH, QN, QP, QT, QTD, QTN, QX, QXE, QXE8, QXEK, QXK, QXQ4 QXU, SH, SHE, SN, SWE, SWE2, SWX, SWX2, SX, SXC, SXE SXE8, SXQ4, VMQ3, VMT2, VMT3, VS4, VS6, VSB4, VSB5, VSP VTE5, VX, VX8, VXE, VXE8, VXK, VXK2, VXU1
					-	(1)	-	-	-	-----	EDS1, EDS5, EDT1, EDT5, ES2, ES5, EWS3, EWS5, EZD5 EZDS, EZS4, EZS5, LBD, LBH, LBHB, LBHS, LBP, LH, LH2 LHB5, LHP1, LTK1, LWD, LWD1, LWP1, LXE5, LXE9, LXQ5, PX QA25, QAA5, QBD, QBH, QBHS, QBHZ, QBL, QBL5, QBP, QBS QBS1, QBT, QC1, QC2, QC3, QCT, QCWE, QH, QHB3, QHB5 QHP1, QHT, QHT1, QHTN, QK45, QKA5, QMH, QN, QNG, QNR5 QP, QTD, QTE, QTG, QTN, QX, QX5, QXA5, QXB5, QXE, QXE5 QXEG, QXEK, QXG, QXK, QXQ5, QXU5, SC15, SC5, SCM5, SEM SH, SHEC, SM11, SME5, SMM, SMTP, STCH, SWA5, SWDH, SWDL SWE2, SWSC, SWX, SWX2, SX, SXC, VEP5, VMQ3, VMT, VMT2 VMT3, VPX5, VS15, VS4, VS6, VSB3, VSB4, VSD5, VSEP VTE5, VWC5, VWE5, VWT5, VX, VXB5, VXE, VXE8, VXG, VXH VXK, VXU1, VZKK, VZS5, VZS6, VZX

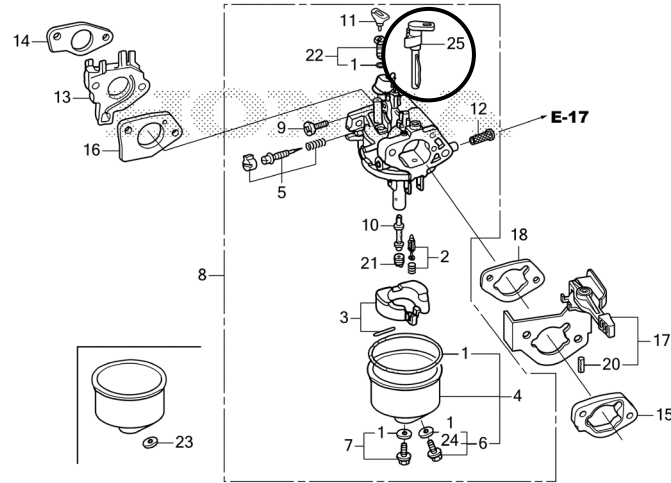
NOTE A:PART NO. CHANGE D:NEWLY PROVIDED E:PART NO. DELETION K:REQUIRED NO. CORRECTION L:APPLICATION SERIAL NO. CORRECTION
M:PART DESCRIPTION CORRECTION T:APPLICATION CORRECTION Z:REMARKS CHANGE

PARTS CATALOGUE NEWS

BOOKNo. :13Z1C408

Block No.	Ref. No.	Note	Part No.	Description	Reqd. QTY					Serial No.	Parts catalogue code
					GX 390 T1	GX 390 T2	GX 390 T2X	GX 390 UT2	GX 390 UT2X		

E-14-10 CARBURETOR (8)



E-14-10	5	T	16016-ZF6-D40	SCREW SET.....	-	1	-	-	-	-----	-----	VPXP
		T	16016-ZH7-W01	SCREW SET, PILOT.....	-	1	-	-	-	-----	-----	VPXP/A, VSEP, VXEH, VXH
	22	T	99204-ZA0-0400	JET SET, PILOT, #40.....	-	1	-	-	-	-----	-----	VPXP
		D	99204-ZE2-0400	-	1	-	-	-	-----	-----	VSEP, VXEH, VXH
	24	T	16141-ZOS-003	WASHER, PLAIN(6. 2X10. 7 DRAIN) .	-	1	-	-	-	-----	-----	VPXP/A, VSEP, VXEH, VXH
	25	D	16044-Z1C-E21	CHOKE SET.....	-	1	-	-	-	-----	-----	VPXP, VPXP/A, VSEP, VXEH, VXH

NOTE A:PART NO. CHANGE D:NEWLY PROVIDED E:PART NO. DELETION K:REQUIRED NO. CORRECTION L:APPLICATION SERIAL NO. CORRECTION
M:PART DESCRIPTION CORRECTION T:APPLICATION CORRECTION Z:REMARKS CHANGE